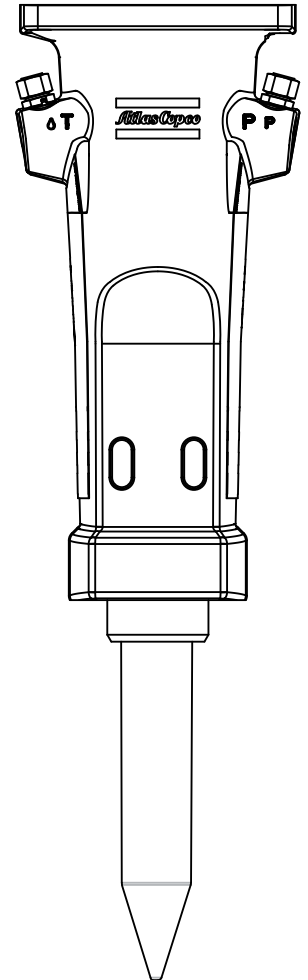


# Safety and operating instructions

## Hydraulic breaker

- (FR)** Prescriptions de sécurité et instructions pour l'opérateur  
Brise-roche hydraulique
- (DE)** Sicherheitshinweise und Betriebsanleitung  
Hydraulikhammer
- (ES)** Instrucciones de seguridad y de funcionamiento  
Martillo hidráulico
- (PT)** Instruções de segurança e operação  
Martelo demolidor hidráulico
- (IT)** Istruzioni per la sicurezza e per l'uso  
Demolitore idraulico
- (NL)** Veiligheidsvoorschriften en bedieningshandleiding  
Hydraulische sloophamer
- (GR)** Οδηγίες ασφάλειας και χειρισμού  
Υδραυλικός θραυστήρας
- (FI)** Turvallisuusohjeet ja käyttöohje  
Käsikäyttöiset hydrauliset iskuvasarat
- (DK)** Sikkerhedsinstruktioner og betjeningsvejledning  
Hydraulikhammer
- (NO)** Sikkerhetsinstrukser og bruksanvisning  
Hydraulisk hammer
- (SE)** Säkerhetsinstruktion och instruktionsbok  
Hydraulhammare
- (PL)** Instrukcje bezpieczeństwa i obsługi  
Młoty hydrauliczne
- (RU)** Инструкции по безопасности и эксплуатации  
Гидромолоты





# Contents

ENGLISH.....	4
FRANÇAIS.....	30
DEUTSCH.....	56
ESPAÑOL.....	84
PORTUGUÊS.....	112
ITALIANO.....	138
NEDERLANDS.....	164
ΕΛΛΗΝΙΚΑ.....	190
SUOMI.....	218
DANSK.....	244
NORSK.....	270
SVENSKA.....	296
POLSKI.....	322
РУССКИЙ.....	350

## ENGLISH

**Contents**

<b>Introduction</b> .....	7
<b>About the Safety and operating instructions</b> .....	7
<b>Safety instructions</b> .....	8
<b>Safety signal words</b> .....	8
<b>Personal precautions and qualifications</b> .....	8
Transport.....	8
Installation, storage, maintenance and disposal.....	8
Operation.....	8
Testing.....	8
Personal protective equipment.....	8
Drugs, alcohol or medication.....	8
<b>Carrier, precautions</b> .....	8
<b>Installation, precautions</b> .....	9
Hydraulic system.....	9
Assembly / Disassembly.....	9
<b>Operation, precautions</b> .....	9
<b>Storage, precautions</b> .....	10
<b>Maintenance, precautions</b> .....	10
<b>Overview</b> .....	11
<b>Design and function</b> .....	11
<b>Main parts</b> .....	11
<b>Signs and stickers</b> .....	11
Data plate.....	12
Noise level sign.....	12
Signs on the accumulator.....	12
<b>Transport</b> .....	12
<b>Lifting the hydraulic breaker</b> .....	12
<b>Installation</b> .....	13
<b>Hoses and connections</b> .....	13
<b>The hydraulic oil</b> .....	13
<b>Assembly</b> .....	13
<b>Pressure adjustment</b> .....	15
<b>Water flushing</b> .....	15
<b>Insertion tool</b> .....	16
Selecting the right insertion tool.....	16
Conical moil point.....	16
Chisels and spades.....	16
Blunt tool.....	16
Mounting and dismounting the insertion tool.....	16
<b>Operation</b> .....	17
<b>Preparation before breaking</b> .....	17
Operating temperatures.....	17
Engine rpm.....	17
<b>Operating</b> .....	17
Breaking.....	17
Breaking under water.....	19
<b>Maintenance</b> .....	19
<b>Every second hour</b> .....	19
Lubricating with a grease gun.....	19

Central lubrication system.....	19
<b>Every day</b> .....	19
<b>Every week</b> .....	20
Wear limits.....	20
Replacing the working tool bushing.....	20
<b>Every year</b> .....	20
<b>Storage</b> .....	21
<b>Disposal</b> .....	21
<b>Technical data</b> .....	22
<b>Machine data</b> .....	22
<b>Capacities</b> .....	22
<b>Noise Declaration Statement</b> .....	22
<b>Flow diagrams for the correct operating pressure</b> .....	23
SB 52: 100–150 bar.....	23
SB 102: 100–150 bar.....	24
SB 152: 100–150 bar.....	25
SB 202: 100–150 bar.....	26
SB 302: 100–150 bar.....	27
SB 452: 100–150 bar.....	28
SB 552: 100–150 bar.....	28



## Introduction

Thank you for choosing a product from Atlas Copco. Since 1873, we have been committed to finding new and better ways of fulfilling our customers' needs. Through the years, we have developed innovative and ergonomic product designs that have helped customers improve and rationalize their daily work.

Atlas Copco has a strong global sales and service network, consisting of customer centers and distributors worldwide. Our experts are highly trained professionals with extensive product knowledge and application experience. In all corners of the world, we can offer product support and expertise to ensure that our customers can work at maximum efficiency at all times.

For more information please visit: [www.atlascopco.com](http://www.atlascopco.com)

## About the Safety and operating instructions

The aim of the instructions is to provide you with knowledge of how to use the hydraulic breaker in an efficient, safe way. The instructions also give you advice and tell you how to perform regular maintenance on the hydraulic breaker.

Before using the hydraulic breaker for the first time you must read these instructions carefully and understand all of them.

## Safety instructions

To reduce risk of serious injury or death to yourself or others, read these safety instructions before operating the machine.

Post these safety instructions at work locations, provide copies to employees, and make sure that everyone reads the safety instructions before operating or servicing the machine.

Comply with all safety regulations.

## Safety signal words

The safety signal words Danger, Warning and Caution have the following meanings:

<b>DANGER</b>	Indicates a hazardous situation which, if not avoided, will result in death or serious injury.
<b>WARNING</b>	Indicates a hazardous situation which, if not avoided, could result in death or serious injury.
<b>CAUTION</b>	Indicates a hazardous situation which, if not avoided, could result in minor or moderate injury.

## Personal precautions and qualifications

Only qualified and trained persons may operate or maintain the machine. Always use your common sense and good judgement.

### Transport

Transport of the hydraulic breaker may only be undertaken by persons who:

- are authorised to operate a crane or fork-lift truck in conformity with the applicable national directives,
- are aware of all the relevant national safety instructions and accident prevention instructions
- and have read and understood the safety and transport chapters of this manual.

### Installation, storage, maintenance and disposal

Installation, storage, maintenance and disposal of the hydraulic breaker may only be undertaken by persons who:

- are aware of all the relevant national safety instructions and accident prevention instructions
- and have read and understood the Safety and operating instructions.

### Operation

Operation of the hydraulic breaker may only be undertaken by qualified carrier operators. Carrier operators are qualified if they:

- are trained to operate an carrier in conformity with national directives,
- are aware of all the relevant national safety instructions and accident prevention instructions
- and have read and understood the Safety and operating instructions.

### Testing

Testing of the hydraulic breaker should only be carried out by professional technicians. The technicians must be authorised to operate a hydraulic system in accordance with national directives.

### Personal protective equipment

Always use approved protective equipment. Operators and all other persons in the working area must wear protective equipment, including at a minimum:

- Protective helmet
- Hearing protection
- Impact resistant eye protection with side protection
- Respiratory protection when appropriate
- Protective gloves
- Proper protective boots

### Drugs, alcohol or medication

#### **▲ WARNING** Drugs, alcohol or medication

Drugs, alcohol or medication may impair your judgment and powers of concentration. Poor reactions and incorrect assessments can lead to severe accidents or death.

- ▶ Never use the machine when you are tired or under the influence of drugs, alcohol or medication.
- ▶ No person who is under the influence of drugs, alcohol or medication may operate the machine.

## Carrier, precautions

Before using or transporting the carrier with the hydraulic breaker attached, carefully read the carrier manufacturer's safety regulations and operating instructions.

Make sure that the carrier is equipped with adequate protective features, including a protective screen in front of the operator.



The hydraulic breaker should only be mounted on a carrier with sufficient load capacity.

Carriers without sufficient load capacity will not provide the required degree of stability and could even fall over during hydraulic breaker use, causing injury and damage.

## Installation, precautions

### Hydraulic system

#### ▲ DANGER Compressed gas, explosion hazard

The accumulator is pressurized even when the hydraulic system is shut off. To dismantle the accumulator without first releasing the nitrogen gas can cause serious personal injury or death.

- ▶ Fill the high-pressure accumulator with nitrogen (N<sub>2</sub>) only.
- ▶ Only authorised personnel are qualified to work with the accumulator.

#### ▲ WARNING Hydraulic oil at high pressure

Thin jets of hydraulic oil under high pressure can penetrate the skin and cause permanent damage.

- ▶ Immediately consult a doctor if hydraulic oil has penetrated the skin.
- ▶ Never use your fingers to check for hydraulic fluid leaks.
- ▶ Keep your face away from any possible leaks.

#### ▲ WARNING Hydraulic oil

Spilled hydraulic oil can cause burns, accidents by slippery conditions and will also harm the environment.

- ▶ Take care of all spilled oil and handle it according to your safety and environment regulations.
- ▶ Never dismantle the hydraulic breaker when the hydraulic oil is hot.
- ▶ Never run any hydraulic lines for attachment of the hydraulic breaker through the drivers cab.

#### ▲ CAUTION Skin eczema

Hydraulic oil can cause eczema when it comes in contact with the skin.

- ▶ Avoid getting hydraulic oil on your hands.
- ▶ Always use protective gloves when working with hydraulic oil.

### Assembly / Disassembly

#### ▲ WARNING Moving parts

Risk for crushed hands and fingers.

- ▶ Never check bores or passages with hands or fingers.
- ▶ Any boom movements shall only be done in cooperation with the personnel mounting the hydraulic breaker.
- ▶ If the hydraulic breaker is mounted on a quick hitch coupling, make sure it is locked securely and all risks of the hydraulic breaker coming loose are eliminated.

## Operation, precautions

#### ▲ DANGER Explosion hazard

If an insertion tool comes into contact with explosives or explosive gases, an explosion could occur. During operating with certain materials, sparks and ignition can occur. Explosions will lead to severe injuries or death.

- ▶ Never operate the machine in any explosive environment.
- ▶ Never use the machine near flammable materials, fumes or dust.
- ▶ Make sure that there are no undetected sources of gas or explosives.

#### ▲ WARNING Operating pressure

If the maximum operating pressure for the hydraulic breaker is exceeded, the accumulator can be overcharged which can result in material damage and personal injury.

- ▶ Always run the hydraulic breaker with the correct working pressure. See "Technical data".

#### ▲ WARNING Silica hazard

Exposure to crystalline silica (sometimes called 'silica dust') as a result of breaking or other activities involving rock, concrete, asphalt or other materials may cause silicosis (a serious lung disease), silicosis-related illnesses, cancer or death. Silica is a major component of rock, sand and mineral ores.

- ▶ SB breakers are prepared for dust suppression to reduce silica exposure.

**▲ WARNING Dust hazard**

Some dusts, fumes or other airborne material created during use of the machine may contain chemicals known to the State of California to cause cancer and birth defects or other reproductive harm. Some examples of such chemicals are:

- Crystalline silica, cement and other masonry products.
- Arsenic and chromium from chemically-treated rubber.
- Lead from lead-based paints.
- ▶ To reduce your exposure to these chemicals, work in a well ventilated area and work with approved safety equipment, such as dust masks that are specially designed to filter out microscopic particles.

**▲ WARNING Electric shock**

The hydraulic breaker is not insulated against electric current. Should the hydraulic breaker come in contact with electric circuits or other electrical power sources, there is a risk of severe injury or death.

- ▶ Never work in the proximity of electric circuits or other electrical power sources.
- ▶ Make sure there are no hidden electric circuits in your working area.

**▲ WARNING Projectiles**

During breaking, splinters or other particles may become projectiles and cause bodily injury by striking the operator or other persons. Small objects falling from great heights can cause extensive damage.

- ▶ Close off the working area.
- ▶ Before starting, make sure that no persons are in the risk area, 20 meters both horizontally and vertically from the hydraulic breaker.
- ▶ Immediately switch off the hydraulic breaker when persons are present in the danger area.

**▲ WARNING Noise hazard**

High sound levels may cause permanent hearing loss.

- ▶ Use hearing protection in accordance with occupational health and safety regulations.

**Storage, precautions****▲ WARNING Hydraulic breaker and working tool are heavy**

- ▶ Store the hydraulic breaker and the working tool so that falling or rolling down is prevented.

**Maintenance, precautions****▲ WARNING Involuntary start**

An involuntary start of the hydraulic breaker can lead to severe injuries.

- ▶ Follow the instructions in the carrier manual to prevent involuntary start of the hydraulic breaker.
- ▶ Installation of a start circuit to the hydraulic breaker must be made in a way that avoids any unintentional starts.
- ▶ A foot pedal on the carrier must be equipped with a protection cover.

**▲ WARNING Hydraulic system under high pressure**

Maintenance work on a hydraulic breaker under pressure can lead to severe injuries. Connections can loosen suddenly, parts can suddenly move and hydraulic oil can be ejected.

- ▶ Depressurise the hydraulic system before performing maintenance on the hydraulic breaker or the carrier.

**▲ WARNING Machine modification**

Any machine modification may result in bodily injuries to yourself or others.

- ▶ Never modify the machine.
- ▶ Always use original parts and accessories approved by Atlas Copco.

**▲ CAUTION Hot insertion tool**

The tip of the insertion tool becomes hot when used. Touching it can lead to burns.

- ▶ Never touch a hot insertion tool.
- ▶ Wait until the insertion tool has cooled down before carrying out maintenance work.

## Overview

To reduce the risk of serious injury or death to yourself or others, read the Safety instructions section found on the previous pages of this manual before operating the machine.

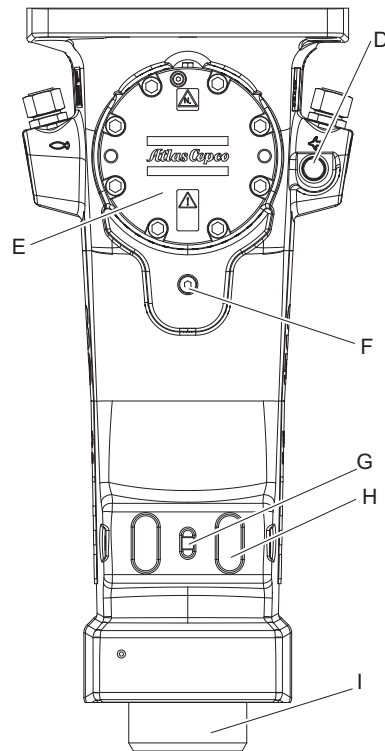
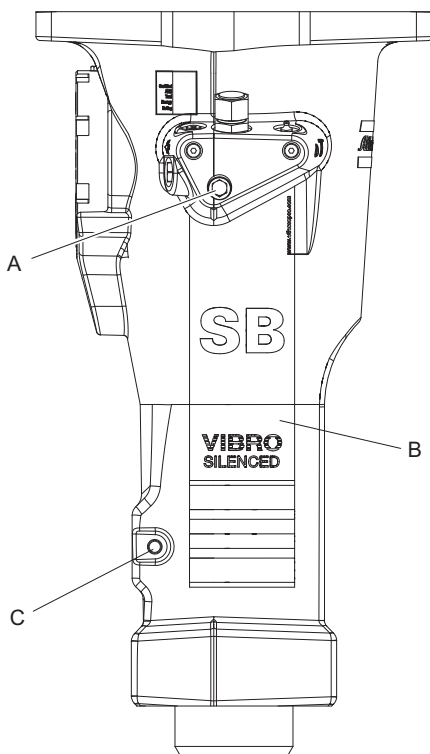
## Design and function

SB is a range of rig mounted hydraulic breakers designed for all kinds of demolition works.

SB stands for Solid Body which means that the breaker body is made in one piece. The accumulator is integrated with the body.

The hydraulic breaker is operated from the driver's cab of the carrier using the carrier's hydraulic system. The breaker frequency is controlled by the oil flow from the carrier.

## Main parts

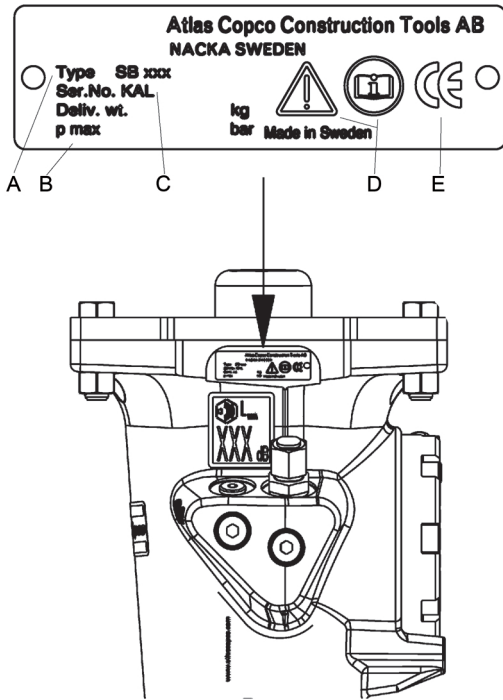


- A. Restrictor
- B. Hammer body
- C. Lock pin
- D. Pressure relief valve
- E. Accumulator
- F. Oil drainage plug
- G. Lock buffer
- H. Tool retainer
- I. Bushing

## Signs and stickers

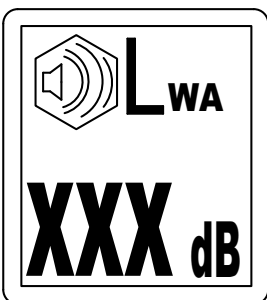
The machine is fitted with signs and stickers containing important information about personal safety and machine maintenance. The signs and stickers shall always be easy to read. New signs and stickers can be ordered by using the spare parts list.

Data plate



- A. Machine type
- B. Maximum hydraulic pressure
- C. Serial number
- D. The warning symbol together with the book symbol means that the user must read the safety and operating instructions before the machine is used for the first time.
- E. The CE symbol means that the machine is CE-approved. See the CE Declaration of Conformity which is delivered with the machine for more information.

Noise level sign



The decal indicates the guaranteed noise level indicator corresponding to EC-directive 2000/14/EC. See "Technical data" for accurate sound level.

Signs on the accumulator



Read through the overhauling instructions carefully before servicing or changing.



The accumulator must only be charged with Nitrogen.  
*NOTICE!* Only certified personnel are allowed to work with the accumulator.

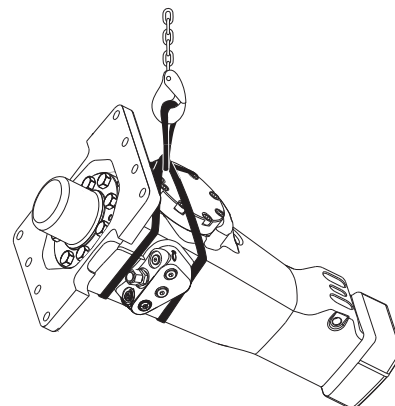
Transport

Lifting the hydraulic breaker

- ▲ **WARNING** Falling breaker can cause injuries
- ▶ Place the hydraulic breaker in a safe position where it cannot fall over and cause damage.

Carefully check that the carrier is stable enough when transporting or doing maintenance or other kind of work on the hydraulic breaker.

The hydraulic breaker is delivered in a box. To lift out the hydraulic breaker in a safe way, fit the lifting strap in the manner shown in the picture below.



## Installation

Before installing the hydraulic breaker on the carrier or operating it, read the operation manual and safety instructions provided by the carrier manufacturer. Follow all instructions.

The carrier must have the appropriate hydraulic system for operation of the breaker.

If the carrier is too big for the hydraulic breaker it may lead to broken working tools and increased wear. See "Technical data" for choosing suitable carrier.

The safety equipment of the hydraulic system must be checked for quality (EC mark, etc.), suitability and functionality by a professional/authorised supervisor before use.

## Hoses and connections

### ▲ WARNING Whipping hydraulic hose

Hydraulic hoses under pressure can whip uncontrollably if screws loosen or are loosened. A whipping hydraulic hose can cause severe injuries.

- ▶ Depressurize the hydraulic system before loosening the connection of a hydraulic hose.
- ▶ Tighten the nuts on the connections of the hydraulic hoses to required torque.

Type of nipple: Atlas Copco ORFS standard nipple. The nipple dimensions can be found in spare part lists.

The quality of the hydraulic hoses should be 2SC (according to EN 857) or better when connecting the breaker to the carrier. If quick couplings are to be used, we recommend using the "Flat Face" quick coupling. This type is sturdy and easy to clean. The quick couplings pressure class must agree with the carrier's working pressure.

Always clean the quick couplings before mounting or dismounting. Always plug hoses and hose nipples with tight and clean plugs when dismounting.

Hose connections Right (As seen from operator's seat)			
Symbol	Air flushing	Central lubrication	Tank, return line
SB 52	G 1/4"	G 1/4"	G 3/8"
SB 102	G 1/4"	G 1/4"	G 1/2"
SB 152	G 1/4"	G 1/4"	G 1/2"
SB 202	G 1/4"	G 1/4"	G 1/2"
SB 302	G 1/4"	G 1/4"	G 3/4"
SB 452	G 1/4"	G 1/4"	G 3/4"
SB 552	G 1/4"	G 1/4"	G 1"

### Hose connections Left (As seen from operator's seat)

Symbol	Water	Pressure to breaker	Pressure for ContiLubeOil
SB 52	-	G 3/8"	G 1/4"
SB 102	-	G 1/2"	G 1/4"
SB 152	G 1/4"	G 1/2"	G 1/4"
SB 202	G 1/4"	G 1/2"	G 1/4"
SB 302	G 1/4"	G 3/4"	G 1/4"
SB 452	G 1/4"	G 3/4"	G 1/4"
SB 552	G 1/4"	G 1"	G 1/4"

### Tightening torque for pressure and return hose

SB 52	60 Nm
SB 102	150 Nm
SB 152	150 Nm
SB 202	150 Nm
SB 302	210 Nm
SB 452	210 Nm
SB 552	300 Nm

## The hydraulic oil

Normally the type of hydraulic oil the carrier is using also works for the hydraulic breaker. When a hydraulic breaker is connected to the carrier, the hydraulic oil will get dirty faster. Check and follow the carrier's instructions for changing oil and oil filter. It is common to change the oil filter more frequent when a hydraulic breaker is installed.

SB hydraulic breakers are equipped with an oil drainage plug to drain all oil before dismounting. This is to reduce the risk of spilling oil.

**NOTICE!** When the SB breaker is delivered it contains some mineral based hydraulic oil. Before connecting to the carrier's hydraulic system, check which type of hydraulic oil the carrier is using. Mixing different types of hydraulic oil may destroy the lubrication quality which can lead to machine damage.

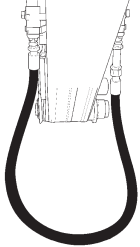
## Assembly

### ▲ WARNING Falling breaker can cause injuries

- ▶ Place the hydraulic breaker in a safe position where it cannot fall over and cause damage.

Circulate the hydraulic oil before connecting the hydraulic breaker. This is to make sure that the hydraulic oil is clean. Use the same routine when changing the hydraulic oil hose. For further information see "The hydraulic oil".

1. Connect the pressure and return hose.

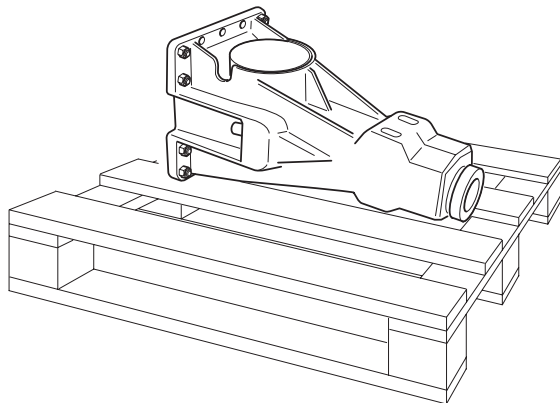


2. Run the hydraulic oil through the carrier's oil filter for approximately 3 minutes to make sure that the hoses are clean.

**Preparation**

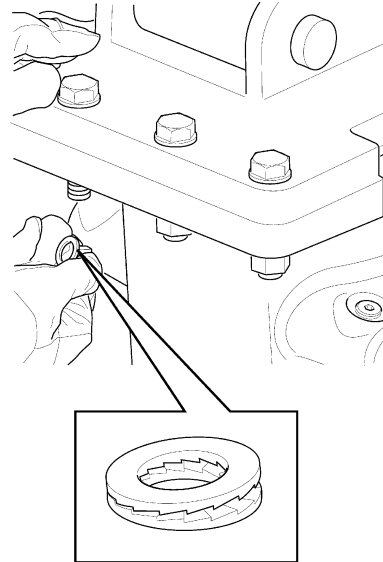
1. Place the breaker in a position where it is easy and safe to mount the adapter plate.

**NOTICE!** Mount the breaker so that the accumulator faces the operator's cabin, to reduce the risk of accumulator damage.



**Mounting the adapter plate**

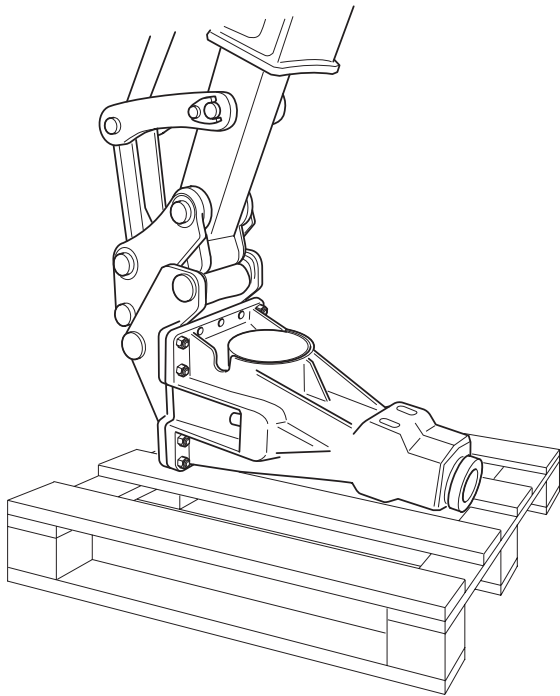
2. If the Tough lock screw from Atlas Copco is not available we recommend using NORD-LOCK™ washers under bolt and nut (NORD-LOCK™ is a registered trademark of Nord-Lock AB in the United States and/or other countries.).



Adapter plate	Tightening torque
SB 52	290 Nm
SB 102	200 Nm
SB 152	200 Nm
SB 202	200 Nm
SB 302	170 Nm
SB 452	400 Nm
SB 552	400 Nm

*Connecting the breaker to the carrier*

- Place the breaker in a safe way at installation.



The pressure inlet on the hydraulic breaker is on the left side when you are facing the accumulator. If the pressure hose is on the other side of the dipper arm you can cross the hoses or turn the hydraulic breaker.

- Carefully lower the stick of the boom into the adapter.

**▲ WARNING Moving parts can crush and cut**

- ▶ Never check bores or passages with hands or fingers.

An assistant should direct the movement of the dipper arm until the bores in the dipper arm are flush with those in the adapter.

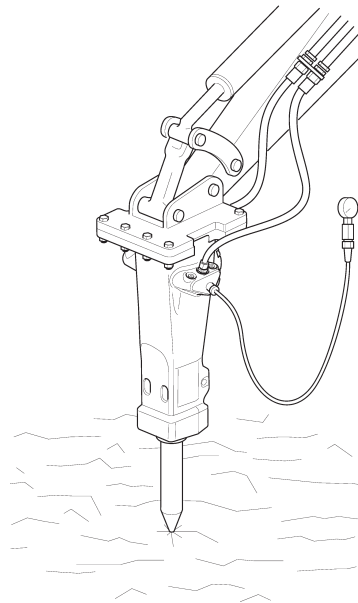
Agree with the assistant on clear hand signals for use during the mounting procedure.

- Insert the pin and lock.
- Lift up the hydraulic breaker using the boom.
- Extend the bucket cylinder until the bore in the toggle is flush with those in the adapter. Insert toggle pin and lock.
- After mounting the breaker, carefully extend and retract the bucket cylinder to its full extent in each direction. It is important that the cylinder can be fully extended and retracted without any difficulty.

## Pressure adjustment

SB breakers are equipped with a pressure relief valve which secures the breaker. The operating pressure of the hydraulic breaker (max 150 bar) is checked and adjusted by a pressure gauge while operating the hydraulic breaker.

- If the operating pressure is more than 150 bar the pressure must be decreased. Reduce the oil flow from the carrier until the pressure is down to 150 bar. This adjustment is important to ensure that the built in pressure relief valve in the breaker does not open and leak oil back to the tank and create heating problems.
- If the operating pressure is between 130–150 bar, normally no adjustment is needed.
- If the carrier's oil flow is too low to retain an acceptable operating pressure the restrictor in the breaker needs to be changed. See flow diagrams in "Technical data" to choose the best restrictor for your application.



Position the hydraulic breaker vertically towards solid bedrock or similar to adjust the pressure using a pressure gauge.

## Water flushing

The hydraulic breaker is prepared for water flushing, this function is to bind the dust when performing demolition operations.

When connecting water flushing the plug in the front of the breaker must be exchanged with a water nozzle. See the Spare parts list for ordering a new water nozzle.

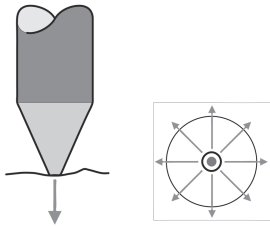


Use a ¼" hydraulic hose with a JIC connection as a proper water hose. The water consumption at 4 bar is 6.6 l/min. Contact your nearest authorised workshop for further instructions.

## Insertion tool

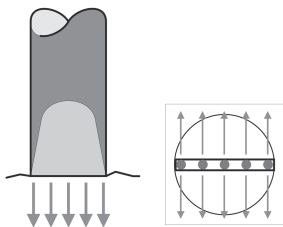
### Selecting the right insertion tool

#### Conical moil point



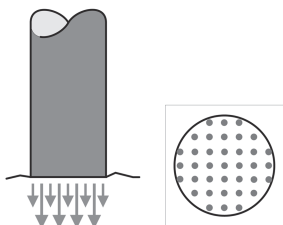
- Very good penetration
- Regular spread of wedge action
- No torsion effect

#### Chisels and spades



- Very good spread of wedge action
- Good penetration
- Torsion effect

#### Blunt tool



- Very good energy application
- Optimum breaking effect
- No torsion effect

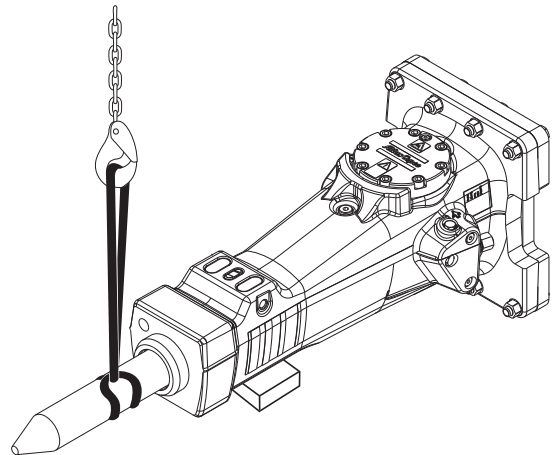
### Mounting and dismounting the insertion tool

#### ▲ WARNING Running engine

Changing the inserted tool while the carrier's engine is running can cause serious injury.

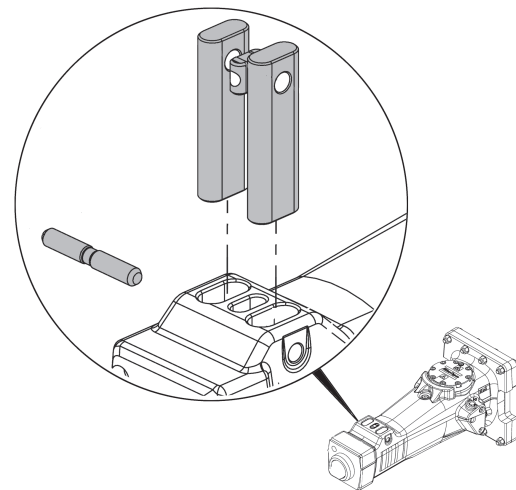
- ▶ Secure the carrier against involuntary activation.

1. Shut the carrier's engine off before changing the inserted tool.
2. Mount (and dismount) the inserted tool with a lifting strap to reduce risk of crushed body parts.



Some insertion tools are heavy, therefore lift out the inserted tool in a safe way.

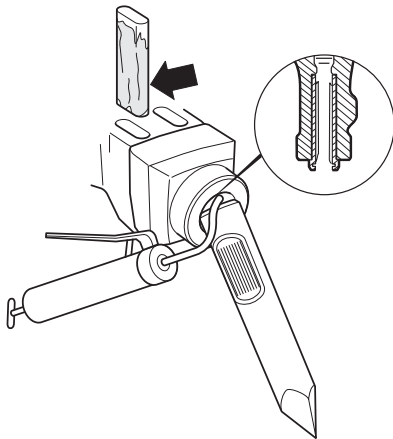
3. Check that the lock buffer is not worn out or damaged.



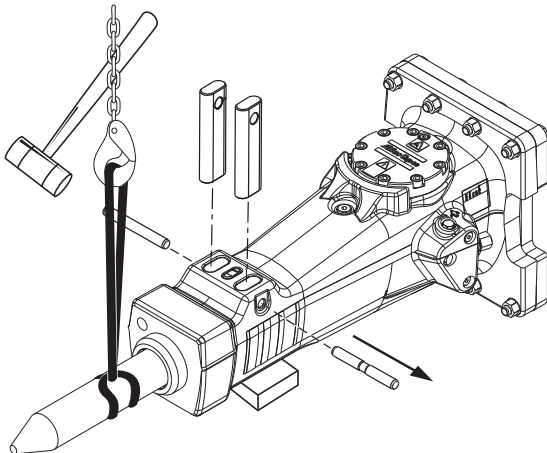
The lock buffer in the tool retainer lock is made of plastic and can melt when working in a hot environment. If this occurs, change the standard lock pin. You will find an optional spring pin to use instead, in the spare parts list.



- Clean and lubricate the bushing plentifully. This is especially important when mounting a new insertion tool.



- Mount the insertion tool.
- Rotate the insertion tool to spread the grease.
- Mount the tool retainers, one at the time.
- Drive in the lock pin until the lock buffer attaches in the lock pin groove.



The insertion tool is dismantled in the reverse way, compared with the mounting instruction.

## Operation

**NOTICE!** The hydraulic breaker or the working tool is not be used as a lifting device. When lifting heavy components use the hook on the carrier arm.

## Preparation before breaking

### Operating temperatures

The operating temperatures of the hydraulic breaker are between  $-20\text{ }^{\circ}\text{C}$  and  $+80\text{ }^{\circ}\text{C}$ .

### ⚠ CAUTION Temperature hazard

The hydraulic breaker and the hydraulic oil system of the carrier can be damaged if the hydraulic breaker is used at higher or lower temperatures.

- ▶ Only start the hydraulic breaker when the hydraulic oil has reached the proper operating temperature.
- ▶ If the outside temperature is below  $-20\text{ }^{\circ}\text{C}$ , you should warm up the working tool and the hydraulic breaker before use.
- ▶ If the oil temperature exceeds  $+80\text{ }^{\circ}\text{C}$ , you must not use the hydraulic breaker as the oil quality becomes inadequate which severely shortens the life of seals and O-rings.

### Engine rpm

Too high engine rpm only results in increased fuel consumption and increased oil temperature. Adapt the engines rpm to the recommended value to get the correct operating oil flow.

## Operating

### Breaking

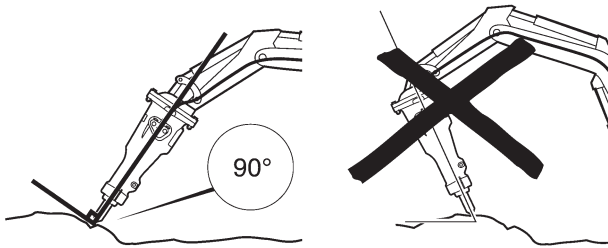
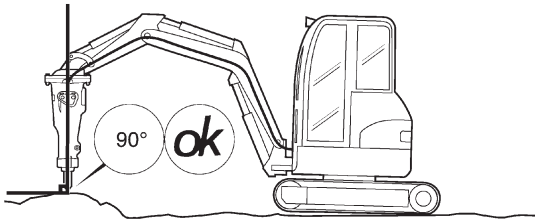
#### ⚠ CAUTION Machine and tool hazard

Continuous operation at full extension/retraction can result in damage to the hydraulic cylinders.

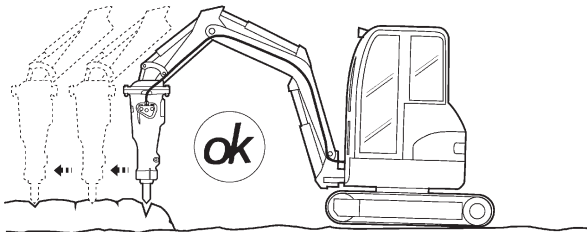
- ▶ Always avoid operating the breaker with the cylinders fully extended or retracted.
- ▶ Reposition the carrier and/or boom to avoid fully extended or retracted cylinders.
- ▶ Pay attention and look at what you are doing.

Never start the hydraulic breaker until both carrier and the hydraulic breaker are in the correct position.

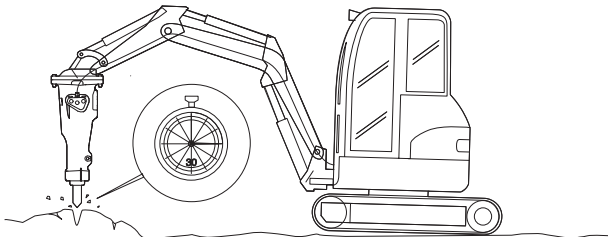
- ◆ Direct the hydraulic breaker in a position 90° towards the object.



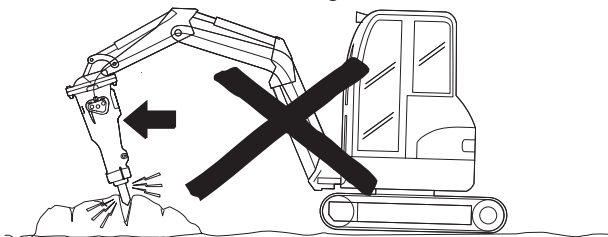
- ◆ Start near the edge and work your way in towards the middle. Never start in the middle of large objects.



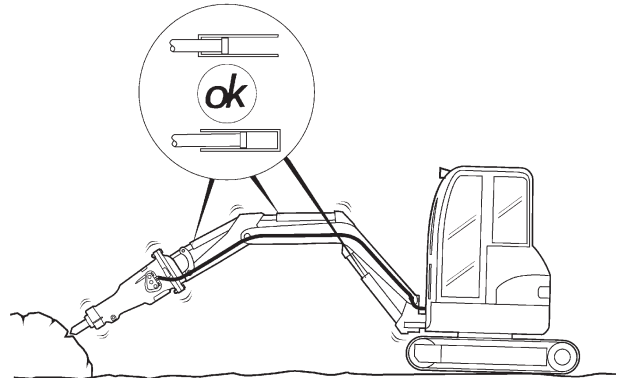
- ◆ Never run the hydraulic breaker longer than 15 seconds on the same spot. Move the working tool to a new position if the object does not break.



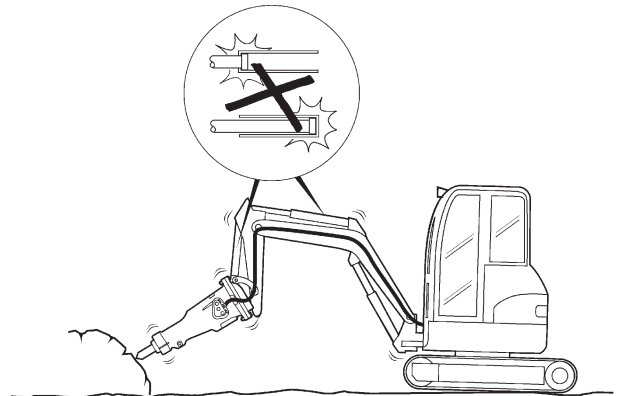
- ◆ Never bend with the working tool.



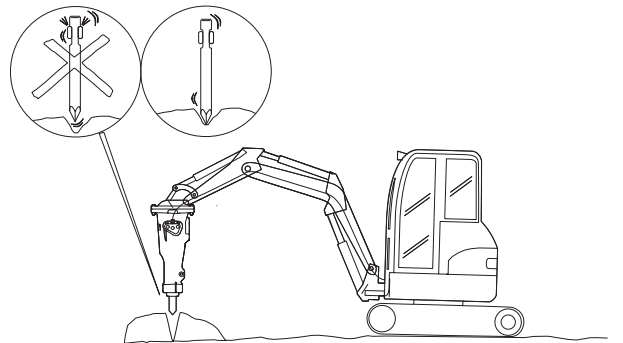
- ◆ Use the correct feed pressure. When the feed pressure is correct the hydraulic breaker is working at its best and the vibrations are at a minimum. Also the wear on the bushing and tool is kept to a minimum.



- ◆ Listen to the sound from the hydraulic breaker. The sound changes if there is any bending between the tool and bushing.
- ◆ Never run the breaker with the boom cylinders at their end positions. It may cause damage to the carrier.

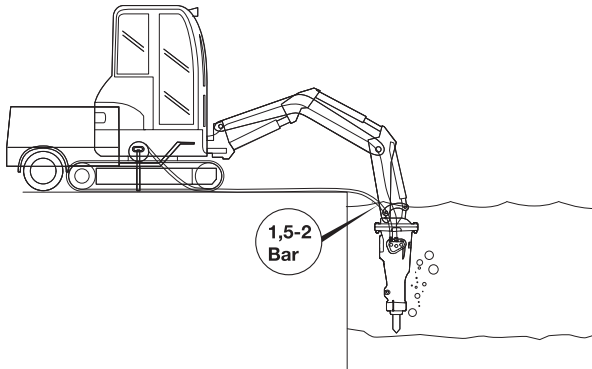


- ◆ Avoid idling strokes; it causes wear on both working tool and tool retainers.



## Breaking under water

Hydraulic breakers can be used for operating under water.



When operating under water the hydraulic breaker must be fed with compressed air to keep the area between the piston and the working tool free from water. If the area between the piston and the working tool gets filled with water, it may penetrate into the hydraulic oil system when the hydraulic breaker is started.

The air pressure should be 1.5–2 bar at the air inlet on the breaker and the air consumption is found in "Technical data". Suitable air hose is a ¼" hydraulic hose with JIC connection. Contact your nearest authorised workshop for further instructions.

## Maintenance

It is essential that regular maintenance is performed to maintain the breakers maximum efficiency.

Equipment that is insufficiently maintained can be dangerous for both the operator and persons near the breaker. Make sure that regular maintenance routines with lubrication are followed to keep the equipment safe and efficient.

### Every second hour

Regularly lubricate the working tool, tool retainers and the bushings, with Atlas Copco Tool chisel paste.

#### Lubricating with a grease gun

**▲ WARNING Hot working tool during operation and a period of time after use.**

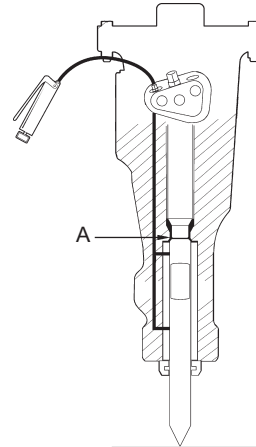
► Avoid contact with the working tool.

#### ▲ CAUTION Skin eczema

Grease can cause eczema when it comes in contact with the skin.

► Avoid getting grease on your hands.

1. Push the tool all the way into the breaker up to the stop (A). Otherwise the space between the top of the tool and the breaker will be filled up with grease.



2. Lubricate the working tool's shank plentifully during all upward operations. The bushing and the working tool must be lubricated so frequently that dirt cannot penetrate into the hydraulic breaker.

When the tool shank is exposed to high pressure and high temperatures a standard type of grease will melt and run. To avoid this always use Atlas Copco Tool chisel paste.

#### Central lubrication system

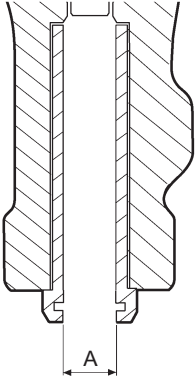
We recommend Atlas Copco central lubrication system. When this system is fitted on the carrier, grease is pumped continuously from a lubrication container on the carrier to the breaker when the breaker is activated. This increases the life of the tool bushings and working tools considerably.

### Every day

1. Check tool retainers and lock pin.
2. Check that hoses, couplings and accumulator are in a good condition.
3. Check that bolts and connections are free from damage and properly tightened. See tightening torques in the spare parts list.
4. Refill the central lubricating system.

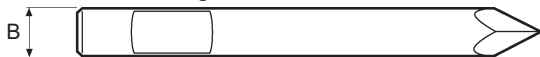
## Every week

1. Clean the hydraulic breaker carefully.
2. Check the tool bushing wear and maximum inner wear limits.



The tool bushing must be replaced when the inner diameter (A) has reached its maximum wear limit, see "Wear limits" and "Replacing the working tool bushing".

3. Check the working tool for wear.



The working tool must be replaced when the outer diameter (B) has reached its minimum wear limit. See "Wear limits".

Too big a clearance can make the working tool break and the piston can be damaged.

4. Check the breaker body and the adapter plate for cracks and wear.
5. Check that the accumulator screws are properly tightened. Correct tightening torque is found in the spare parts list.

The working tool may never be sharpened by forging. Sharpening should only be performed by milling, grinding or turning.

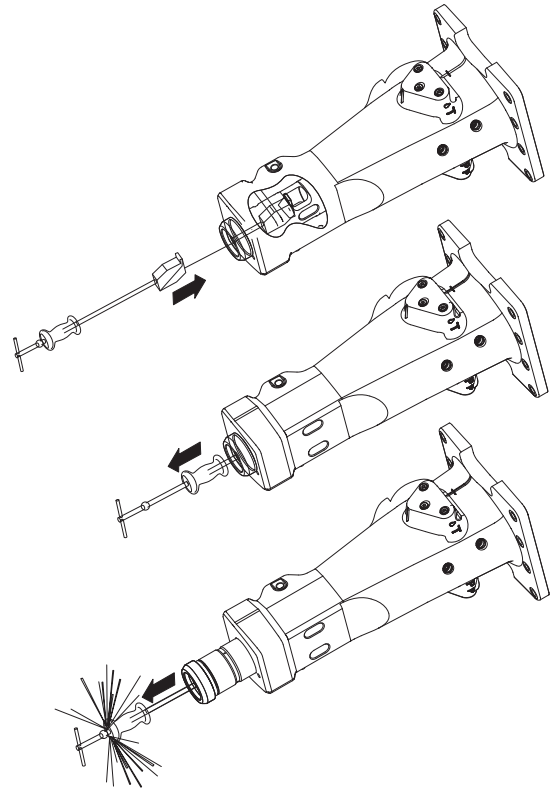
### Wear limits

	A mm (in.)	B mm (in.)
SB 52	42 (1.6)	38 (1.5)
SB 102	47 (1.8)	43 (1.7)
SB 152	52 (2.0)	48 (1.9)
SB 202	68 (2.7)	63 (2.5)
SB 302	83 (3.3)	78 (3.1)
SB 452	98 (3.85)	92 (3.6)
SB 552	103 (4.1)	97 (3.8)

## Replacing the working tool bushing

The working tool bushing is kept in place by the tool retainers. A new bushing has a slip fit.

1. If a worn out bushing is stuck, use a sliding hammer to remove it.



2. Carefully clean the bore and the bushing seat area.
3. Mount new O-rings, lubricate and mount the bushing.
4. Use a plastic sledgehammer to insert the bushing.
5. Keep the bushing in position with help of the tool retainers.
6. Mount a new scraper ring.

## Every year

Overhauling should be done after 1 year of continuous operation. Overhauling should for safety reasons be performed by authorised personnel at the nearest Atlas Copco workshop or by other Atlas Copco authorised workshops.

## Storage

### **▲ WARNING Falling breaker can cause injuries**

- ▶ Place the hydraulic breaker in a safe position where it cannot fall over and cause damage.

If the hydraulic breaker is not used for a long time, the following points have to be considered to protect the hydraulic breaker from corrosion:

1. Clean the hydraulic breaker carefully.
2. Dismount the working tool and lubricate the front part of the piston, bushing and the tool retainer lock.
3. Store the hydraulic breaker in a dry place.

## Disposal

A used machine must be treated and scrapped in such a way that the greatest possible portion of the material can be recycled and any negative influence on the environment is kept as low as possible.

Before a used machine is scrapped it must be emptied and cleaned from all hydraulic oil. Remaining hydraulic oil must be deposited and any negative influence on the environment is to be kept as low as possible.

## Technical data

### Machine data

	SB 52	SB 102	SB 152	SB 202	SB 302	SB 452	SB 552
Order Number	8460 0300 10	8460 0300 30	8460 0300 40	8460 0300 50	8460 0300 60	8460 0300 70	8460 0300 80
Operating weight (kg)	55	87	140	201	310	441	521
Delivery weight (kg)	44	68	110	154	224	321	390
Tool shank diameter (mm)	40	45	50	65	80	95	100

### Capacities

	SB 52	SB 102	SB 152	SB 202	SB 302	SB 452	SB 552
Suitable carrier min-max tonnes	0.7–1.1	1.1–3.0	1.9–4.5	2.5–6.0	4.5–9	6.5–13	9–15
Oil flow (l/min)	15–32	16–35	25–45	35–66	50–80	55–100	65–115
Impact rate (blows/min)	960–2160	720–2280	840–1920	840–1800	600–1380	540–1260	660–1140
Operating pressure (bar)	100–150	100–150	100–150	100–150	100–150	100–150	100–150
Back pressure acceptance (bar)	25	18	25	25	26	21	18
Accumulator pressure (bar)	40	40	40	40	40	40	40
Pressure relief valve (bar)	170	170	170	170	170	180	170
Water pressure (bar)	-	-	4	4	4	4	4
Water consumption (l/min)	-	-	≤5	≤5	≤9	≤9	≤9
Air pressure (bar)	2	2	2	2	2	2	2
Air flow (l/min)	≤730	≤730	≤730	≤730	≤730	≤730	≤730

### Noise Declaration Statement

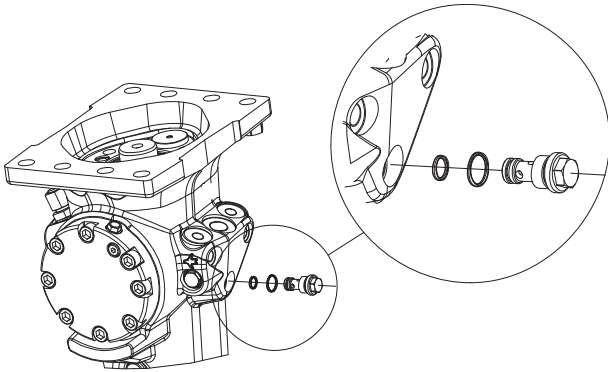
	SB 52	SB 102	SB 152	SB 202	SB 302	SB 452	SB 552
Sound pressure <sup>1</sup> dB(A)	89	87	86	90	91	94	98
Sound power <sup>2</sup> dB(A)	117	115	114	118	119	122	126

<sup>1</sup> Sound pressure level according to EN ISO 3744 in accordance with directive 2000/14/EC at 10 metres distance.

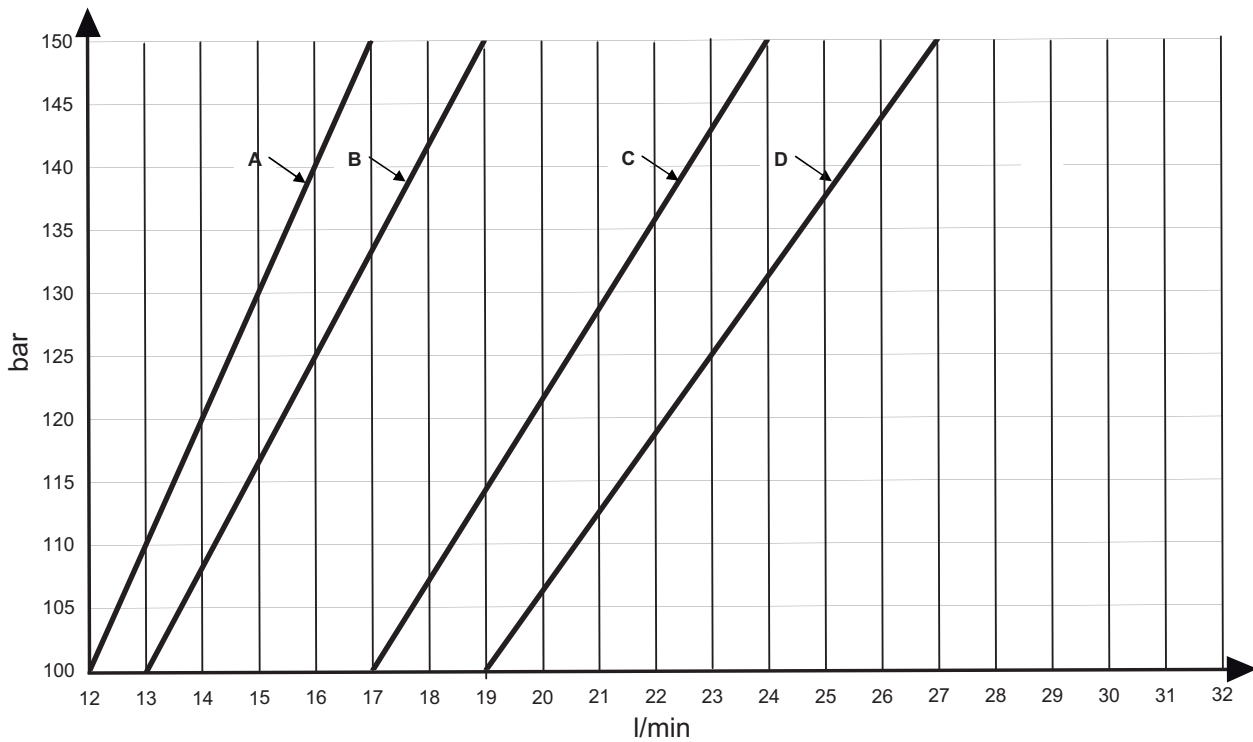
<sup>2</sup> Guaranteed sound power according to EN ISO 3744 in accordance with directive 2000/14/EC inclusive spread in production.

## Flow diagrams for the correct operating pressure

The carrier's oil flow can be restricted to achieve the right operating pressure. Restrictors can be ordered from the spare parts list. The diagrams show oil flow at viscosity 32 cSt.

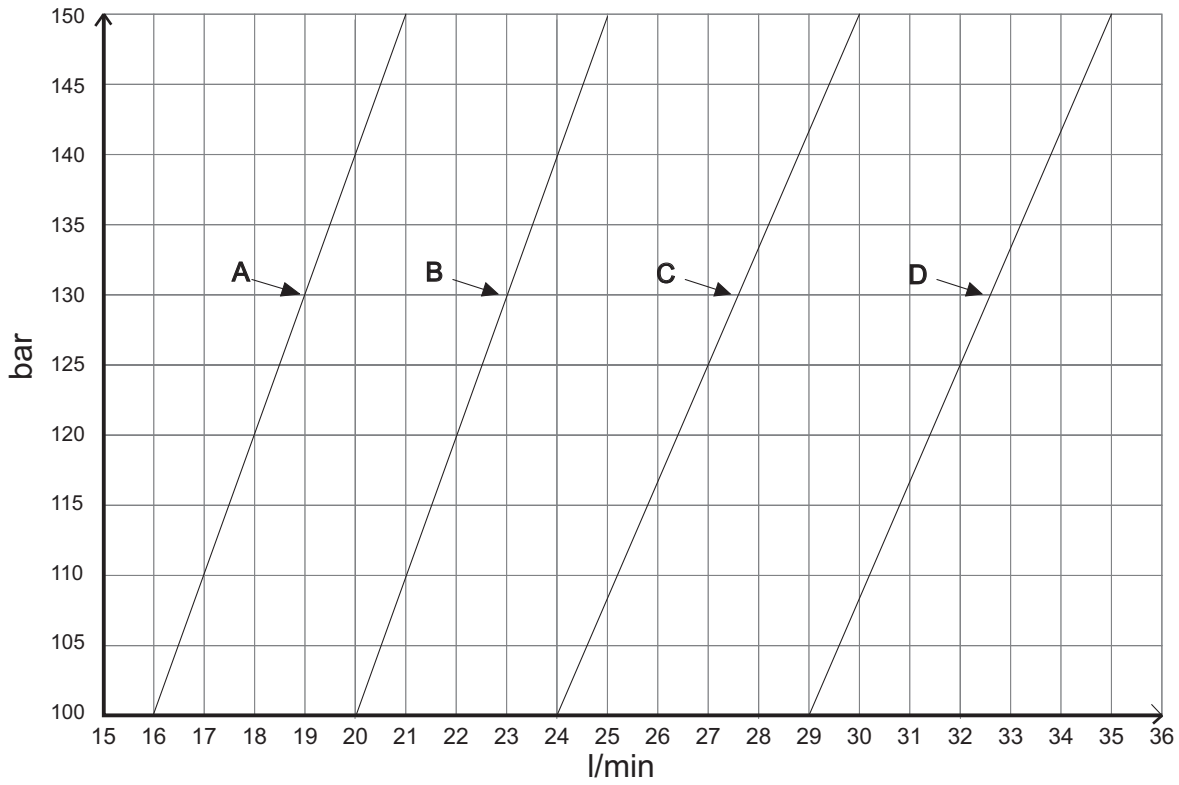


### SB 52: 100–150 bar



Restrictor	Ordering No.	Restrictor	Ordering No.
A	3315 2875 22	C	3315 2875 36
B	3315 2875 24	D (Standard)	3315 2875 37

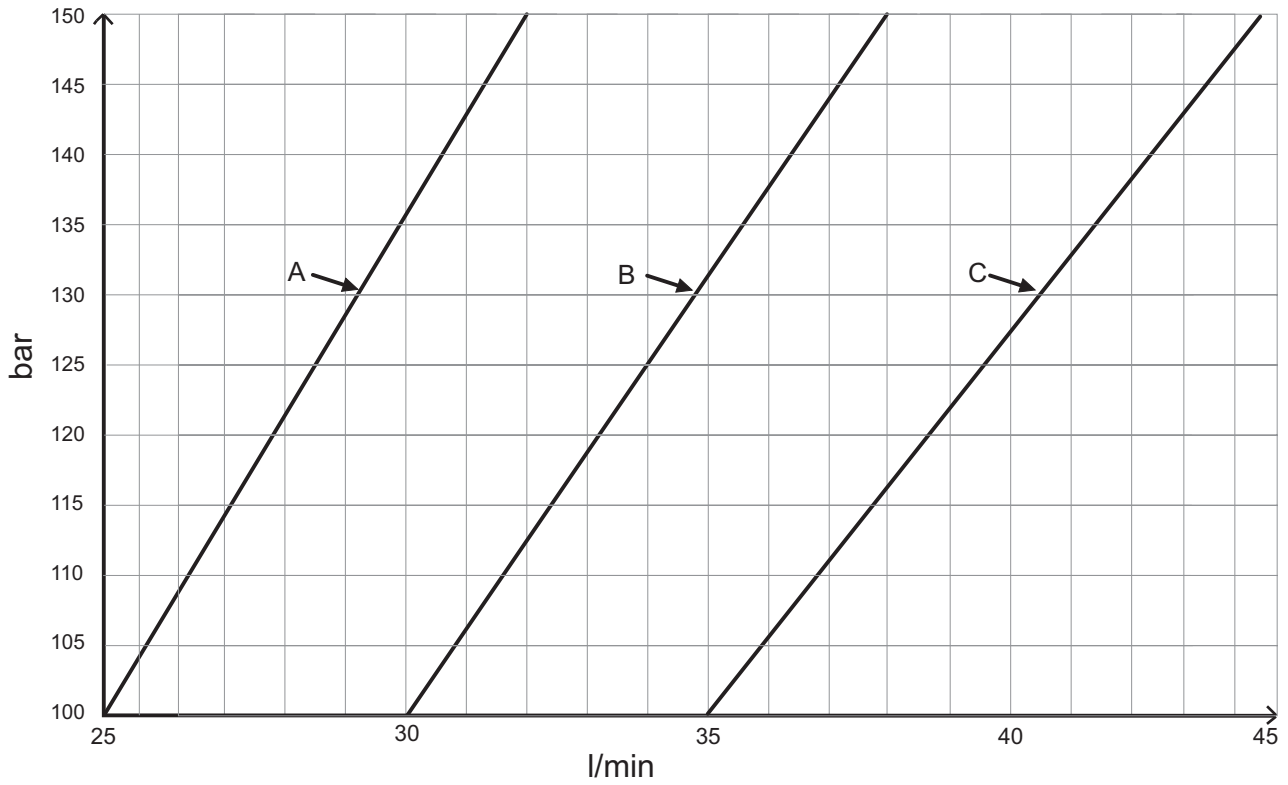
**SB 102: 100–150 bar**



Restrictor	Ordering No.	Restrictor	Ordering No.
A	3315 2875 36	C	3315 2875 38
B	3315 2875 37	D (Standard)	3315 2875 35

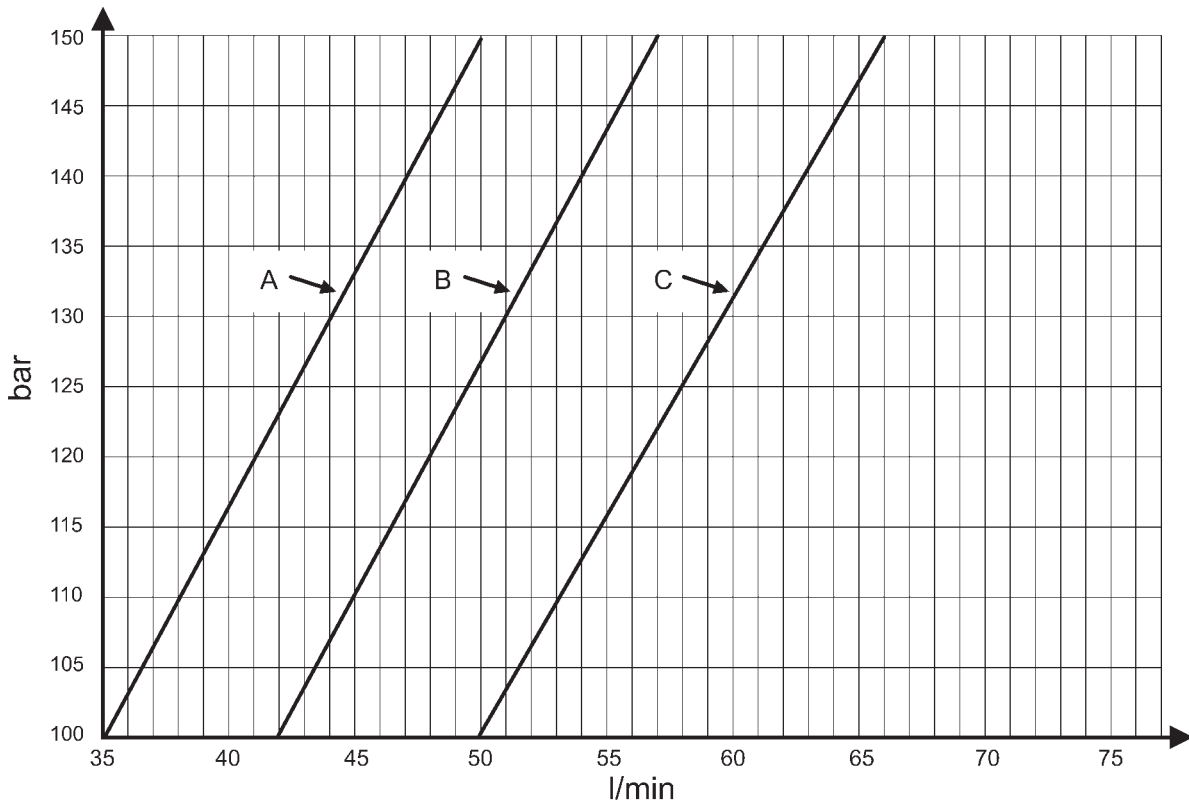


**SB 152: 100–150 bar**



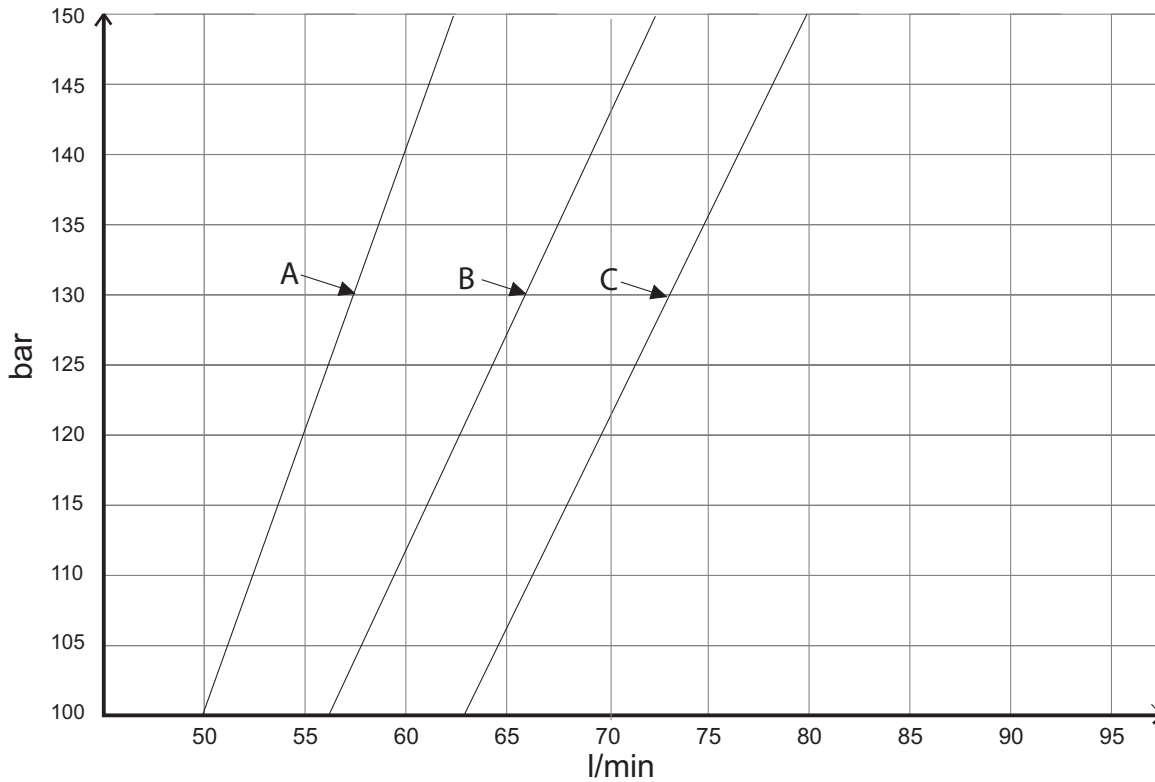
Restrictor	Ordering No.	Restrictor	Ordering No.
A	3315 2875 40	C (Standard)	3315 2875 51
B	3315 2875 35		

**SB 202: 100–150 bar**



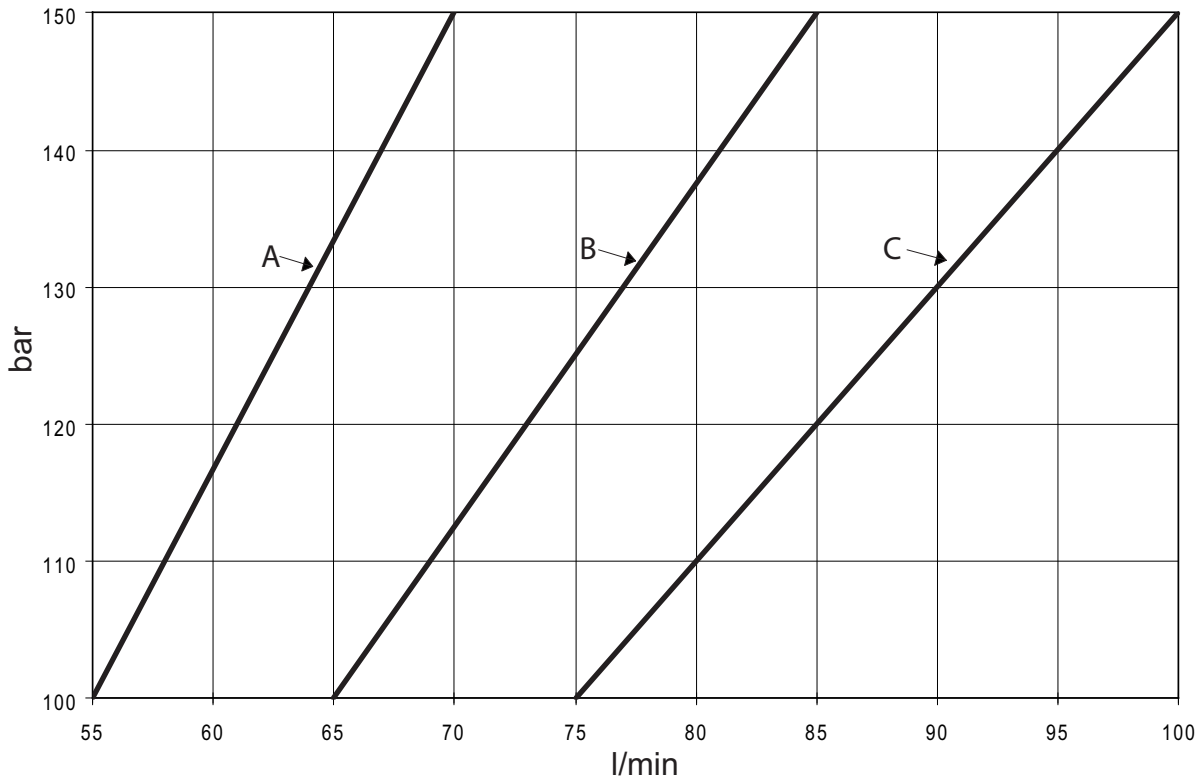
Restrictor	Ordering No.	Restrictor	Ordering No.
A	3315 2875 45	C (Standard)	3315 3040 80
B	3315 2875 55		

**SB 302: 100-150 bar**



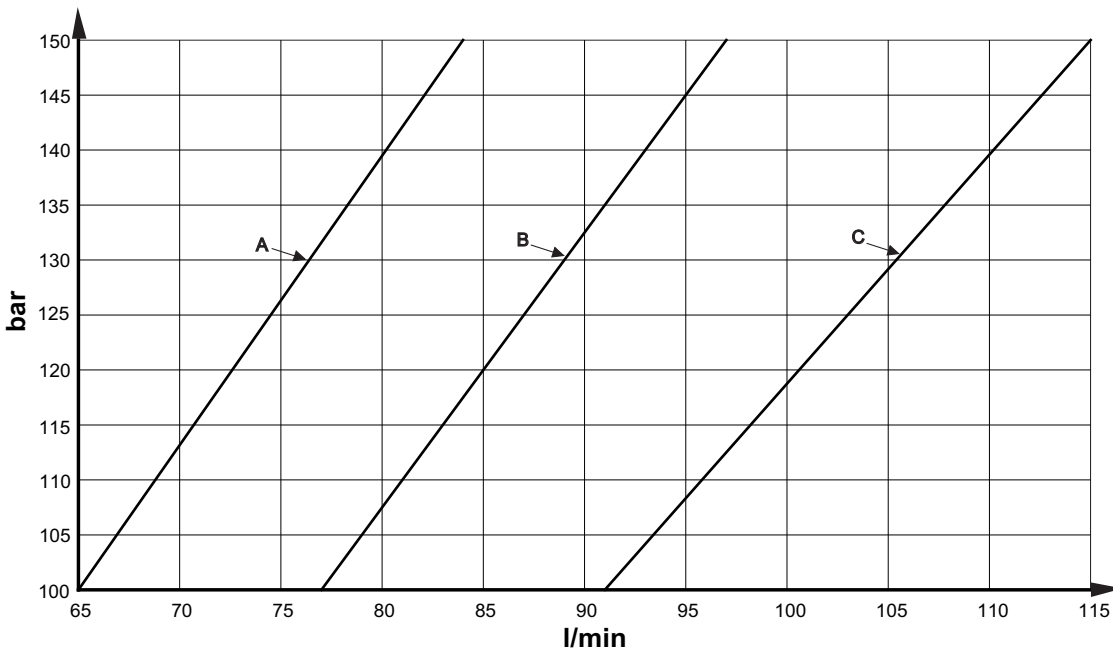
Restrictor	Ordering No.	Restrictor	Ordering No.
A	3315 3588 54	C (Standard)	3315 3588 63
B	3315 3152 35		

**SB 452: 100–150 bar**



Restrictor	Ordering No.	Restrictor	Ordering No.
A	3315 3152 35	C (Standard)	3315 3152 53
B	3315 3152 45		

**SB 552: 100–150 bar**



Restrictor	Ordering No.	Restrictor	Ordering No.
A	3315 3152 35	C (Standard)	3315 3152 55
B	3315 3152 45		



## FRANÇAIS

**Sommaire**

Introduction.....	33
À propos des prescriptions de sécurité et des instructions pour l'opérateur.....	33
<b>Consignes de sécurité.....</b>	<b>34</b>
<b>Indications de sécurité.....</b>	<b>34</b>
<b>Précautions et qualifications du personnel.....</b>	<b>34</b>
Transport.....	34
Installation, stockage, maintenance et mise au rebut.....	34
Fonctionnement.....	34
Procédure de test.....	34
Équipement de protection du personnel.....	34
Drogues, alcool ou médicaments.....	35
<b>Engins porteurs, précautions.....</b>	<b>35</b>
<b>Installation, précautions.....</b>	<b>35</b>
Circuit hydraulique.....	35
Assemblage / Désassemblage.....	35
<b>Fonctionnement, précautions.....</b>	<b>36</b>
<b>Stockage, précautions.....</b>	<b>37</b>
<b>Maintenance, précautions.....</b>	<b>37</b>
<b>Vue d'ensemble.....</b>	<b>38</b>
<b>Conception et fonctionnement.....</b>	<b>38</b>
<b>Principales pièces.....</b>	<b>38</b>
<b>Signes et étiquettes.....</b>	<b>38</b>
Plaque signalétique.....	39
Signe du niveau de bruit.....	39
Plaques sur l'accumulateur.....	39
<b>Transport.....</b>	<b>39</b>
<b>Levage du brise-roche hydraulique.....</b>	<b>39</b>
<b>Installation.....</b>	<b>40</b>
<b>Flexibles et connexions.....</b>	<b>40</b>
<b>L'huile hydraulique.....</b>	<b>41</b>
<b>Assemblage.....</b>	<b>41</b>
<b>Réglage de pression.....</b>	<b>42</b>
<b>Injection d'eau.....</b>	<b>43</b>
<b>Outil d'insertion.....</b>	<b>43</b>
Sélection du bon outil d'insertion.....	43
Burin pointé conique.....	43
Burins et bêches.....	43
Outil émoussé.....	43
Montage et démontage de l'outil d'insertion.....	43
<b>Fonctionnement.....</b>	<b>44</b>
<b>Préparatifs avant de commencer le travail de démolition.....</b>	<b>44</b>
Températures de fonctionnement.....	44
Régime-moteur.....	44
<b>Utilisation.....</b>	<b>44</b>
Casse.....	44
Procédure de casse sous l'eau.....	46
<b>Maintenance.....</b>	<b>46</b>
<b>Toutes les deux heures.....</b>	<b>46</b>
Lubrification à l'aide d'une pompe à graisse.....	46

Système de lubrification centrale.....	47
<b>Chaque jour.....</b>	<b>47</b>
<b>Chaque semaine.....</b>	<b>47</b>
Limites d'usure.....	47
Remplacement de la douille de l'outil de travail.....	48
<b>Chaque année.....</b>	<b>48</b>
<b>Stockage.....</b>	<b>48</b>
<b>Destruction d'une machine usagée.....</b>	<b>48</b>
<b>Caractéristiques techniques.....</b>	<b>49</b>
<b>Caractéristiques de la machine.....</b>	<b>49</b>
<b>Capacités.....</b>	<b>49</b>
<b>Énoncé déclaratif sur le bruit.....</b>	<b>49</b>
<b>Schéma de circulation des fluides pour une bonne pression de fonctionnement... ..</b>	<b>49</b>
SB 52 : 100-150 bar.....	50
SB 102 : 100-150 bar.....	51
SB 152 : 100-150 bar.....	52
SB 202 : 100-150 bar.....	53
SB 302: 100-150 bar.....	54
SB 452: 100–150 bar.....	55
SB 552 : 100-150 bar.....	55





## Introduction

Nous vous remercions d'avoir choisi un produit Atlas Copco. Depuis 1873, nous nous efforçons de trouver des solutions pertinentes et adaptées aux besoins de nos clients. Au fil des ans, nous avons développé des produits innovants et ergonomiques qui contribuent à l'amélioration et à la rationalisation du travail quotidien de nos clients.

Atlas Copco dispose d'un solide réseau de distribution et de service après-vente, constitué de centres de clientèle et de distributeurs, partout dans le monde. Nos experts sont des professionnels formés, bénéficiant d'un savoir-faire global en termes de produits et d'applications. Aux quatre coins du monde, nous sommes en mesure d'offrir le soutien et l'expérience requis pour garantir à nos clients une efficacité optimale et continue de leur activité.

Pour plus d'informations, veuillez consulter le site Web suivant :  
[www.atlascopco.com](http://www.atlascopco.com)

## À propos des prescriptions de sécurité et des instructions pour l'opérateur

Le but des instructions est de vous apprendre à utiliser le brise-roche hydraulique d'une manière efficace et en toute sécurité. Les instructions vous donnent également des conseils et vous indiquent comment effectuer la maintenance de routine du brise-roche hydraulique.

Vous devez lire ces instructions attentivement et les comprendre avant d'utiliser le brise-roche hydraulique pour la première fois.

## Consignes de sécurité

Afin de réduire au minimum tout risque de blessures graves ou d'accident mortel, pour vous-même ou votre entourage, nous vous invitons à lire attentivement ces consignes de sécurité avant d'utiliser la machine.

Affichez les consignes de sécurité sur les différents sites de travail ; faites en des copies pour les employés et assurez-vous que chaque personne concernée a bien lu les prescriptions de sécurité avant d'utiliser ou d'intervenir sur la machine.

Respectez toutes les consignes de sécurité.

## Indications de sécurité

Les indications de sécurité Danger, Attention et Prudence ont les sens suivants :

<b>DANGER</b>	Indique une situation dangereuse qui, si elle n'est pas évitée, terminera par provoquer la mort ou des blessures graves.
<b>ATTENTION</b>	Indique une situation dangereuse qui, si elle n'est pas évitée, est susceptible de provoquer la mort ou des blessures graves.
<b>PRUDENCE</b>	Indique une situation dangereuse qui, si elle n'est pas évitée, est susceptible de provoquer des blessures mineures à modérées.

## Précautions et qualifications du personnel

Seules des personnes qualifiées ou formées peuvent utiliser ou procéder à l'entretien de la machine. Utilisez toujours votre jugement et votre bon sens.

### Transport

Le transport du brise-roche hydraulique peut uniquement être entrepris par des personnes qui :

- sont qualifiées pour conduire une grue ou un chariot élévateur conformément aux directives nationales en vigueur,
- sont informées sur les prescriptions nationales de sécurité pertinentes et les instructions de prévention d'accidents
- et ont lu et compris les chapitres relatifs à la sécurité et au transport contenus dans le présent manuel.

### Installation, stockage, maintenance et mise au rebut

L'installation, le stockage, la maintenance et la mise au rebut peuvent uniquement être entrepris par des personnes qui :

- sont informés sur les prescriptions nationales de sécurité pertinentes et les instructions de prévention d'accidents
- et ont lu et compris les Prescriptions de sécurité et instructions pour l'opérateur.

### Fonctionnement

L'utilisation du brise-roche hydraulique est uniquement réservée à des opérateurs d'engin porteur qualifiés. Les opérateurs d'engin porteur sont qualifiés s'ils :

- sont qualifiés pour conduire un engin porteur conformément aux directives nationales en vigueur,
- sont informées sur les prescriptions nationales de sécurité pertinentes et les instructions de prévention d'accidents
- et ont lu et compris les Prescriptions de sécurité et instructions pour l'opérateur.

### Procédure de test

La procédure de test du brise-roche hydraulique devra uniquement être entreprise par des techniciens qualifiés. Les techniciens doivent être qualifiés pour piloter un système hydraulique conformément aux directives nationales.

### Équipement de protection du personnel

Utilisez toujours un équipement de protection individuelle homologué. Les opérateurs et toutes autres personnes séjournant sur la zone de travail doivent porter un équipement de protection individuelle, incluant au minimum :

- Casque de protection
- Protections auditives
- Protecteurs des yeux résistants aux chocs avec protection latérale
- Appareil de protection respiratoire, le cas échéant
- Gants de protection
- Bottes de protection adaptées

## Drogues, alcool ou médicaments

### ▲ ATTENTION Drogues, alcool ou médicaments

Les drogues, l'alcool ou les médicaments risquent d'avoir un effet négatif sur votre jugement et votre capacité de concentration. De mauvaises réactions et des évaluations incorrectes peuvent entraîner des accidents graves, voire la mort.

- ▶ N'utilisez jamais la machine lorsque vous êtes fatigué(e) ou sous l'influence de drogues, de l'alcool ou de médicaments.
- ▶ L'utilisation de la machine par une personne sous l'influence de drogues, de l'alcool ou de médicaments est strictement interdite.

## Engins porteurs, précautions

Avant d'utiliser ou de transporter l'engin porteur avec le brise-roche hydraulique monté, lisez soigneusement les prescriptions de sécurité et instructions pour l'opérateur du fabricant de l'engin porteur.

Assurez-vous que l'engin porteur est équipé de dispositifs de protection adéquats, y compris un écran de protection devant l'opérateur.

Le brise-roche hydraulique ne devrait être installé que sur un engin porteur ayant une capacité de charge suffisante.

Les engins porteurs sans capacité de charge suffisante ne fournissent pas le niveau de stabilité nécessaire et peuvent se renverser pendant l'utilisation du brise-roche hydraulique en provoquant des blessures et des dommages.

## Installation, précautions

### Circuit hydraulique

#### ▲ DANGER Gaz comprimé, risque d'explosion

L'accumulateur reste pressurisé même lorsque le système hydraulique est coupé. Le démontage de l'accumulateur sans libérer d'abord l'azote peut provoquer des blessures graves ou la mort.

- ▶ L'accumulateur de pression ne peut être chargé qu'avec de l'azote (N<sub>2</sub>).
- ▶ Seules les personnes autorisées sont qualifiées à travailler avec l'accumulateur.

### ▲ ATTENTION Huile hydraulique sous haute pression

Les jets fins d'huile hydraulique sous haute pression peuvent pénétrer la peau et provoquer des dommages permanents.

- ▶ Consultez immédiatement un médecin en cas de pénétration de l'huile hydraulique dans votre peau.
- ▶ Ne jamais contrôler une fuite de liquide hydraulique avec les doigts.
- ▶ Éloignez votre visage de toute fuite éventuelle.

### ▲ ATTENTION Huile hydraulique

L'huile hydraulique renversée peut causer des brûlures, des accidents par glissade et peut nuire également à l'environnement.

- ▶ Soyez particulièrement prudent en cas d'huile renversée et traitez celle-ci conformément aux réglementations locales de sécurité et d'environnement.
- ▶ Ne démontez jamais le brise-roche hydraulique lorsque l'huile hydraulique est chaude.
- ▶ Ne jamais faire passer des canalisations hydrauliques pour l'attache du brise-roche hydraulique à travers la cabine de conduite.

### ▲ PRUDENCE Eczéma de contact

L'huile hydraulique peut provoquer de l'eczéma en cas de contact avec la peau.

- ▶ Évitez d'avoir de l'huile hydraulique sur vos mains.
- ▶ Portez toujours les gants de protection lorsque vous manipulez de l'huile hydraulique.

## Assemblage / Désassemblage

### ▲ ATTENTION Pièces mobiles

Risque de pincement des mains et des doigts.

- ▶ Ne contrôlez jamais les orifices ou les canaux avec les mains ou les doigts.
- ▶ Tous les mouvements de la flèche seront effectués uniquement en coopération avec le personnel d'installation du brise-roche hydraulique.
- ▶ Si le brise-roche hydraulique est installé avec une attache rapide, assurez-vous qu'il est bien verrouillé et que tous risques de desserrage soit éliminés.

## Fonctionnement, précautions

### ▲ DANGER Danger d'explosions

Si un outil d'insertion chaud entre en contact avec un explosif ou avec des gaz explosifs, cela pourrait provoquer une explosion. Lors d'utilisation de certains matériaux, des étincelles susceptibles d'enflammer des gaz peuvent provoquer des explosions. Des explosions peuvent provoquer des dommages corporels voire la mort.

- ▶ Ne jamais utiliser la machine dans un environnement explosif quelconque.
- ▶ N'utilisez jamais cette machine près de poussières, d'émanations ou de matériaux inflammables.
- ▶ Assurez-vous qu'il n'y ait aucune source de gaz non identifiée ou d'explosifs.

### ▲ ATTENTION Pression d'utilisation

Si la pression de fonctionnement maximale du brise-roche hydraulique est dépassée, l'accumulateur peut être surchargé, ce qui risque de provoquer des dommages matériels et corporels.

- ▶ Faites toujours fonctionner le brise-roche hydraulique à la bonne pression de fonctionnement. Voir « Caractéristiques techniques ».

### ▲ ATTENTION Danger lié aux poussières de silice

L'exposition à la silice cristalline (parfois appelée « poussière de silice ») résultant de la casse ou d'une autre activité impliquant la roche, le béton, l'asphalte ou d'autres matériaux peut provoquer la silicose (une maladie grave des poumons), des maladies liées à la silicose, le cancer ou la mort. La silice est l'un des principaux composants de la roche, du sable et des minéraux.

- ▶ Les brise-roches SB sont équipés de protection contre la poussière afin de réduire l'exposition à la silice.

### ▲ ATTENTION Dangers lié à la poussière

Certaines poussières, émanations ou autres matières en suspension dans l'air pendant l'utilisation de la machine peuvent contenir des produits chimiques, reconnus par l'état de Californie comme pouvant provoquer des cancers, des anomalies congénitales ou d'autres menaces pour la reproduction. Voici quelques-uns de ces produits chimiques :

- Silice cristalline, ciment et autres produits de maçonnerie.
- Arsenic et chrome provenant de caoutchouc traité chimiquement.
- Plomb provenant de peintures à base de plomb.
- ▶ Pour réduire votre exposition à ces produits, travaillez dans une zone bien ventilée et avec des équipements de sécurité homologués, tels que les masques de protection contre la poussière spécialement conçus pour filtrer les particules microscopiques.

### ▲ ATTENTION Choc électrique

Le brise-roche hydraulique n'est pas isolé électriquement. Risques de graves dommages corporels voire de mort si le brise-roche hydraulique vient en contact avec des circuits électriques ou d'autres sources électriques.

- ▶ Ne jamais travailler à proximité de circuits électriques ou d'autres sources électriques.
- ▶ Assurez-vous qu'il n'y a pas de circuits électriques dissimulés dans votre zone de travail.

### ▲ ATTENTION Projectiles

Pendant le travail, des éclats ou d'autres particules peuvent être projetés et provoquer des blessures en heurtant l'opérateur ou d'autres personnes. Les petits objets tombant d'une grande hauteur peuvent provoquer des dommages importants.

- ▶ Délimitez la zone de travail.
- ▶ Avant de commencer, assurez-vous qu'aucune personne n'est présente dans la zone de risque (20 mètres), horizontalement et verticalement, du brise-roche hydraulique.
- ▶ Coupez immédiatement l'alimentation du brise-roche hydraulique si des personnes sont présentes dans la zone de danger.

### ▲ ATTENTION Danger lié au bruit

Les niveaux acoustiques très élevés peuvent provoquer une perte auditive permanente.

- ▶ Utilisez un dispositif de protection anti-bruit respectant les normes de sécurité et de santé dans le travail.

## Stockage, précautions

### ▲ ATTENTION Le brise-roche hydraulique et l'outil de travail sont lourds

- ▶ Entreposez le brise-roche hydraulique et l'outil de travail de manière à assurer qu'ils ne risquent pas de se renverser ou de bouger.

## Maintenance, précautions

### ▲ ATTENTION Démarrage accidentel

Le démarrage accidentel de la machine peut provoquer des blessures.

- ▶ Suivre les instructions dans le manuel de l'engin porteur, afin d'empêcher tout démarrage accidentel du brise-roche.
- ▶ L'installation d'un circuit de démarrage du brise-roche hydraulique doit être effectuée de manière à éviter tout démarrage accidentel.
- ▶ Une pédale sur l'engin porteur doit être équipée d'un couvercle de protection.

### ▲ ATTENTION Système hydraulique sous haute pression

Toute opération de maintenance sur un brise-roche hydraulique pressurisé peut provoquer des blessures. Risque de détachement soudain d'un raccord, de mouvement brusque de pièces ou d'éjection d'huile hydraulique.

- ▶ Dépressurisez le circuit hydraulique avant toute opération de maintenance sur le brise-roche hydraulique ou sur l'engin porteur.

### ▲ ATTENTION Modifications sur la machine

Toute modification sur la machine peut provoquer des blessures physiques à vous-même ou aux autres.

- ▶ Ne jamais modifier la machine.
- ▶ Utilisez uniquement des pièces détachées et des accessoires d'origine approuvés par Atlas Copco.

### ▲ PRUDENCE Outil d'insertion brûlant

L'extrémité de l'outil d'insertion devient chaude à l'usage. Vous risquez de vous brûler si vous la touchez.

- ▶ Ne touchez jamais un outil d'insertion brûlant.
- ▶ Attendez que l'outil d'insertion ait refroidi avant d'effectuer des tâches de maintenance.

## Vue d'ensemble

Il convient de lire attentivement la section des consignes de sécurité figurant sur les pages précédentes du présent document avant toute utilisation de la machine, afin de minimiser le risque de blessures graves ou de dommages pouvant entraîner la mort.

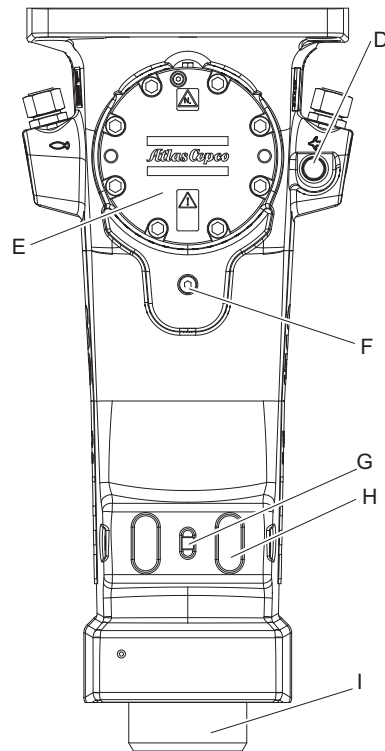
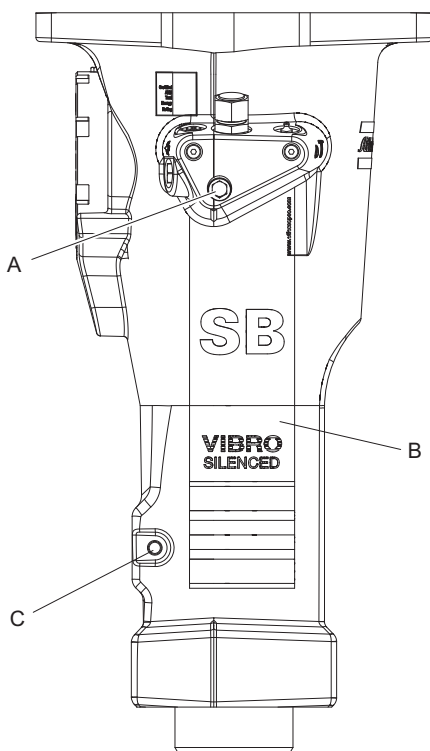
## Conception et fonctionnement

SB est une gamme de brise-roche hydrauliques montés sur engin porteur conçus pour tous types de travaux de démolition.

SB est l'abréviation de « Solid Body », ce qui signifie que le corps du brise-roche est faite en une seule pièce. L'accumulateur est intégré au corps du brise roche.

Le brise-roche hydraulique est manœuvré à partir de la cabine de conduite de l'engin porteur à l'aide du système hydraulique de ce dernier. La fréquence du brise-roche est commandée par le débit d'huile de l'engin porteur.

## Principales pièces

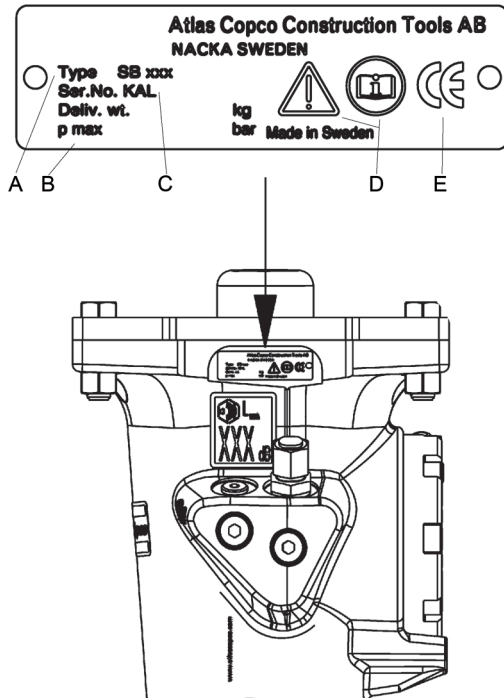


- A. Réducteur
- B. Corps du marteau
- C. Ergot d'arrêt
- D. Limiteur de pression
- E. Accumulateur
- F. Bouchon de vidange d'huile
- G. Tampon de verrouillage
- H. Dispositif de retenue de l'outil
- I. Douille

## Signes et étiquettes

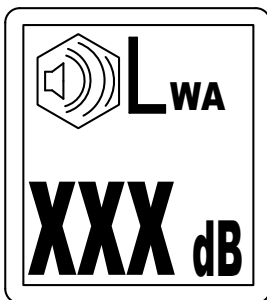
La machine comporte des signes et des étiquettes avec des informations importantes pour la sécurité des personnes et l'entretien de la machine. Ces signes et étiquettes doivent toujours être aisément lisibles. De nouveaux signes et étiquettes peuvent être commandés en utilisant la liste des pièces détachées.

## Plaque signalétique



- A. Type de machine
- B. Pression hydraulique maximale
- C. Numéro de série
- D. Le symbole « Attention » accompagné du symbole du livre signifie que l'utilisateur doit lire les « Prescriptions de sécurité et instructions pour l'opérateur » avant la première utilisation de la machine.
- E. Le symbole CE indique que la machine est homologuée par la CE. Pour plus d'informations, consultez la déclaration de conformité CE fournie avec la machine.

## Signe du niveau de bruit



Cette étiquette indique le niveau de bruit garanti conformément à la directive européenne 2000/14/EC. Voir les « caractéristiques techniques » pour un niveau de bruit précis.

## Plaques sur l'accumulateur



Lisez soigneusement les instructions de révision avant d'effectuer un entretien ou un changement.



L'accumulateur ne peut être chargé qu'avec de l'azote !

**ATTENTION!** Seul le personnel qualifié est autorisé à travailler avec l'accumulateur !

## Transport

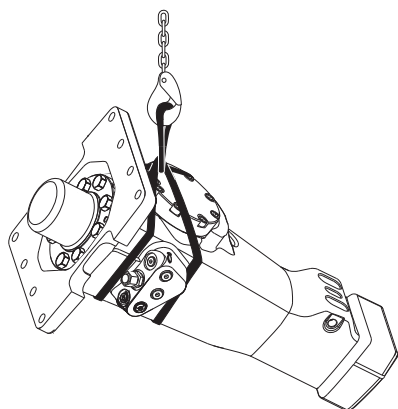
## Levage du brise-roche hydraulique

**▲ ATTENTION** La chute d'un brise-roche peut provoquer des dommages corporels

- Le brise-roche hydraulique doit être placé dans une position sûre où il ne risque pas de se renverser et de provoquer des dommages.

Vérifiez soigneusement que l'engin porteur est assez stable lors du transport ou pendant la maintenance ou tout autre type de travail sur le brise-roche hydraulique.

Le brise-roche hydraulique est livré dans une caisse. Pour soulever le brise-roche hydraulique en toute sécurité, fixez la bande de levage comme l'illustre l'image ci-dessous.



## Installation

Avant d'installer le brise-roche hydraulique sur l'engin porteur de l'utiliser, lisez soigneusement les prescriptions de sécurité et les instructions du fabricant de l'engin porteur. Suivez toutes les instructions.

L'engin porteur doit être équipé du circuit hydraulique approprié pour pouvoir être utilisé avec le brise-roche hydraulique.

Si l'engin porteur est trop grand pour le brise-roche hydraulique, alors cela peut favoriser les dommages aux outils de travail et l'usure excessive. Voir les « Caractéristiques techniques » pour le choix d'engin porteur approprié.

Les équipements de sécurité du système hydraulique doivent être contrôlés par un inspecteur professionnel/agréé en ce qui concerne la qualité (marquage CE, etc.), la compatibilité et la fonctionnalité.

## Flexibles et connexions

### ⚠ ATTENTION Coup de fouet d'un flexible hydraulique

Des flexibles hydrauliques mal serrés ou détachés risquent de partir en coup de fouet quand ils sont mis sous pression. Une brusque secousse de flexible hydraulique peut provoquer de graves dommages corporels.

- ▶ Veillez à dépressuriser le système hydraulique avant de desserrer le raccord d'un flexible hydraulique.
- ▶ Serrez les écrous des raccords de flexibles hydrauliques au couple requis.

Type de raccord : Raccord standard Atlas Copco ORFS. Vous trouverez les dimensions de raccord dans la liste des pièces détachées.

La qualité des flexibles hydrauliques doit être 2SC (selon la norme EN 857) ou davantage lors du branchement du brise-roche à l'engin porteur. Si des raccords rapides doivent être employés, nous recommandons le raccord rapide « Flat Face ». Ce type est robuste et facile à nettoyer. La classe de pression d'accouplements rapides doit être conforme à la pression de fonctionnement de l'engin porteur.

Nettoyez toujours les raccords rapides avant le montage ou le démontage. Lors du démontage, bouchez toujours les flexibles et les embouts avec des bouchons propres et serrés.

### Branchements des flexibles Droit (Tels que vus du siège de l'opérateur)

	Soufflage à l'air	Lubrification centrale	Réservoir, conduite de retour
Symbole			
SB 52	G 1/4"	G 1/4"	G 3/8"
SB 102	G 1/4"	G 1/4"	G 1/2"
SB 152	G 1/4"	G 1/4"	G 1/2"
SB 202	G 1/4"	G 1/4"	G 1/2"
SB 302	G 1/4"	G 1/4"	G 3/4"
SB 452	G 1/4"	G 1/4"	G 3/4"
SB 552	G 1/4"	G 1/4"	G 1"

### Branchements des flexibles Gauche (Tels que vus du siège de l'opérateur)

	Eau	Pression au brise-roche	Pression pour ContiLube®II
Symbole			
SB 52	-	G 3/8"	G 1/4"
SB 102	-	G 1/2"	G 1/4"
SB 152	G 1/4"	G 1/2"	G 1/4"
SB 202	G 1/4"	G 1/2"	G 1/4"
SB 302	G 1/4"	G 3/4"	G 1/4"
SB 452	G 1/4"	G 3/4"	G 1/4"
SB 552	G 1/4"	G 1"	G 1/4"

### Couple de serrage du flexible de pression et de retour

SB 52	60 Nm
SB 102	150 Nm
SB 152	150 Nm
SB 202	150 Nm
SB 302	210 Nm
SB 452	210 Nm
SB 552	300 Nm



## L'huile hydraulique

Normalement, le type d'huile hydraulique utilisée par l'engin porteur est valable également pour le brise-roche hydraulique.

Lorsqu'un brise-roche hydraulique est branché à l'engin porteur, l'huile hydraulique s'altère plus rapidement. Vérifiez et suivez les instructions relatives à l'engin porteur pour changer l'huile et le filtre à huile. Il est normal de changer le filtre à huile plus fréquemment lorsqu'un brise-roche hydraulique est installé.

Les brise-roche hydrauliques SB sont équipés d'un bouchon d'huile pour vidanger toute l'huile avant le démontage. Ce bouchon est prévu pour réduire le risque de renverser l'huile.

**ATTENTION!** Lorsque le brise-roche SB est livré, il contient un peu d'huile hydraulique minérale. Avant le branchement au système hydraulique de l'engin porteur, vérifiez le type d'huile hydraulique utilisée par ce dernier. Mélanger différents types d'huile hydraulique peut nuire à la qualité de lubrification, ce qui risque d'endommager la machine !

## Assemblage

**▲ ATTENTION** La chute d'un brise-roche peut provoquer des dommages corporels

- Le brise-roche hydraulique doit être placé dans une position sûre où il ne risque pas de se renverser et de provoquer des dommages.

Faites circuler l'huile hydraulique avant le branchement du brise-roche hydraulique. Cela permet de s'assurer que l'huile hydraulique est propre. Employez la même procédure lors du changement du flexible d'huile hydraulique. Pour plus d'informations, voir « l'Huile hydraulique ».

1. Branchez la pression et retournez le flexible.

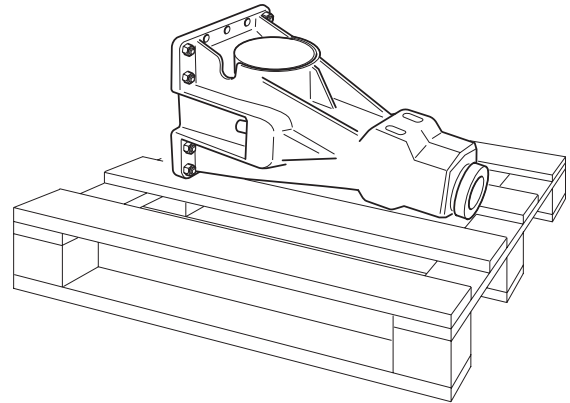


2. Laissez l'huile hydraulique passer à travers le filtre à huile de l'engin porteur pendant 3 minutes environ pour s'assurer que les flexibles sont propres.

### Préparation

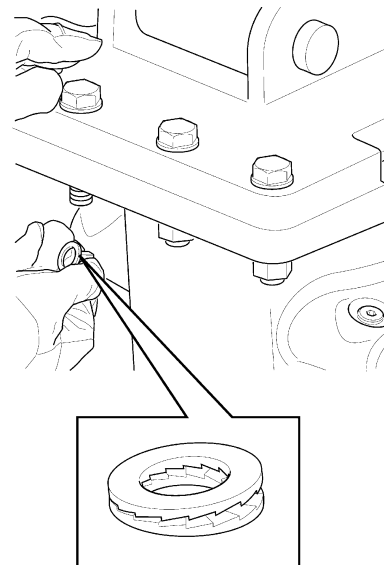
1. Placez le brise-roche dans une position permettant une installation aisée et en toute sécurité de la plaque d'adaptateur.

**ATTENTION!** Montez le brise-roche de sorte que l'accumulateur soit en face de la cabine de l'opérateur, pour éviter les risques de détérioration de l'accumulateur.



### Installation de la plaque d'adaptateur

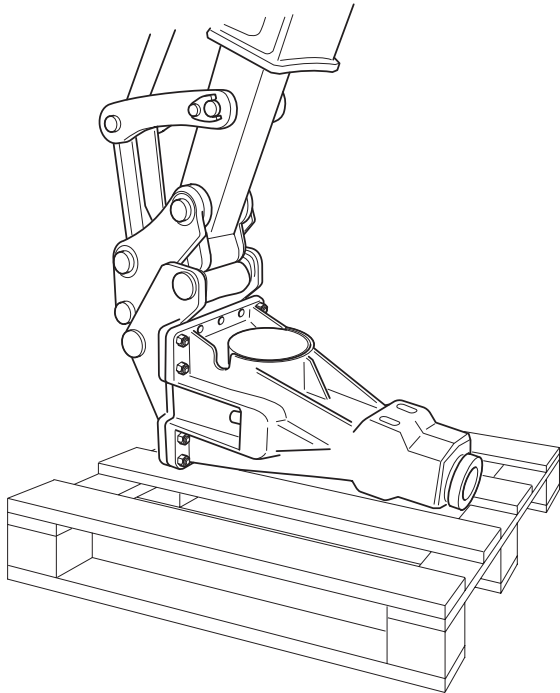
2. Si la rondelle auto-bloquante Atlas Copco n'est pas disponible, nous recommandons l'usage de rondelles auto-bloquantes NORD-LOCK™ sous le boulon et l'écrou (NORD-LOCK™ est une marque déposée de Nord-Lock AB aux États-Unis et/ou dans d'autres pays.).



Plaque d'adaptateur	Couple de serrage
SB 52	290 Nm
SB 102	200 Nm
SB 152	200 Nm
SB 202	200 Nm
SB 302	170 Nm
SB 452	400 Nm
SB 552	400 Nm

*Branchement du brise-roche à l'engin porteur*

3. Placez le brise-roche d'une manière sûre lors de l'installation.



La prise de pression sur le brise-roche hydraulique est à votre gauche lorsque vous êtes en face de l'accumulateur. Si le flexible de pression est de l'autre côté du bras plongeur, vous pouvez croiser les flexibles ou tourner le brise-roche hydraulique.

4. Abaissez soigneusement la flèche dans l'adaptateur.

**▲ ATTENTION Les pièces mobiles peuvent pincer ou couper**

- Ne contrôlez jamais les orifices ou les canaux avec les mains ou les doigts.

Un assistant doit guider le mouvement du bras plongeur jusqu'à ce que les alésages de ce dernier coïncident avec ceux de l'adaptateur.

Convenez avec votre assistant de signes clairs de la main à utiliser pendant la procédure d'installation.

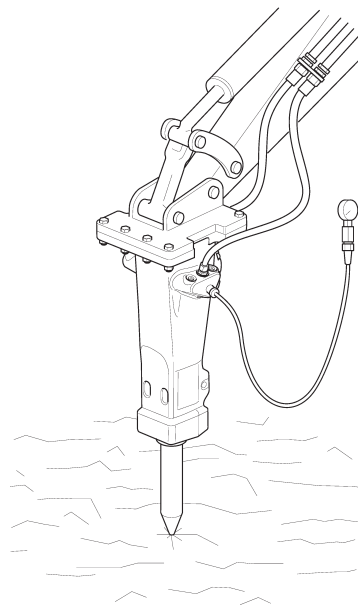
5. Insérez la goupille et verrouillez.
6. Soulevez le brise-roche hydraulique en utilisant la flèche.
7. Allongez le vérin de godet jusqu'à ce que l'alésage du volet s'emboîte avec ceux de l'adaptateur. Insérez la goupille à bascule et verrouillez.

8. Après montage du brise-roche, allongez et rétractez soigneusement le vérin de godet jusqu'à sa position extrême dans chaque direction. Il est important que le vérin puisse être complètement allongé et rétracté sans aucune difficulté.

## Réglage de pression

Les brise-roche SB sont équipés d'une soupape de décharge qui sécurise le brise-roche. La pression de fonctionnement du brise-roche hydraulique (150 bar au maximum) est contrôlée et réglée grâce à un manomètre lors de l'utilisation du brise-roche hydraulique.

- Si la pression de fonctionnement dépasse 150 bar, elle doit être réduite. Diminuez le débit d'huile de l'engin porteur jusqu'à ce que la pression chute à 150 bar. Ce réglage est important pour éviter l'ouverture de la soupape de décharge intégrée au brise-roche et la fuite d'huile au réservoir ainsi que l'apparition de problèmes d'échauffement.
- Si la pression de fonctionnement est entre 130-150 bar, aucun réglage n'est normalement nécessaire.
- Si le débit d'huile de l'engin porteur est trop faible pour maintenir une pression de fonctionnement acceptable, l'étrangleur du brise-roche doit être changé. Voir les diagrammes de débit dans les « Caractéristiques techniques » pour choisir l'étrangleur répondant le mieux à votre application.



Placez le brise-roche hydraulique verticalement vers la roche de fond ou équivalent pour régler la pression à l'aide du manomètre.

## Injection d'eau

Le brise-roche hydraulique est préparé pour l'injection d'eau, cette fonction sert à fixer la poussière lors des opérations de démolition.

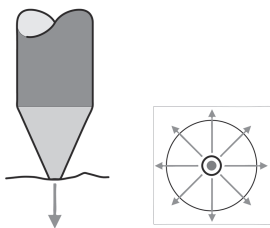
L'injection d'eau, le bouchon à l'avant du brise-roche doit être remplacé par un gicleur d'eau. Voir la liste des pièces détachées pour commander un nouveau gicleur d'eau.

Utilisez un flexible hydraulique de 1/4" avec une connexion JIC comme flexible d'eau. La consommation d'eau à 4 bars est de 6,6 l/min. Contactez votre atelier agréé le plus proche pour plus d'informations.

## Outil d'insertion

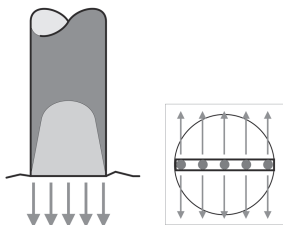
### Sélection du bon outil d'insertion

#### Burin pointé conique



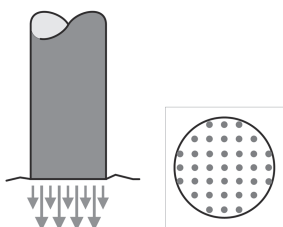
- Très bonne pénétration
- Progression régulière de l'action de pénétration
- Pas d'effet de torsion

#### Burins et bêches



- Très bonne progression de l'action de pénétration
- Bonne pénétration
- Effet de torsion

#### Outil émoussé



- Très bonne application de l'énergie
- Effet de casse optimal
- Pas d'effet de torsion

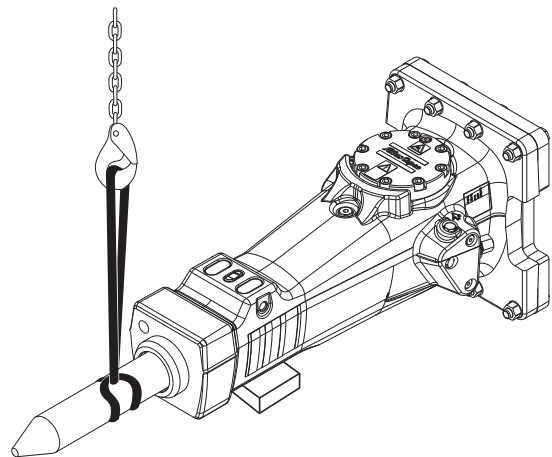
### Montage et démontage de l'outil d'insertion

#### ▲ ATTENTION Moteur en marche

Le changement de l'outil d'insertion lorsque le moteur de l'engin porteur tourne peut provoquer des blessures graves.

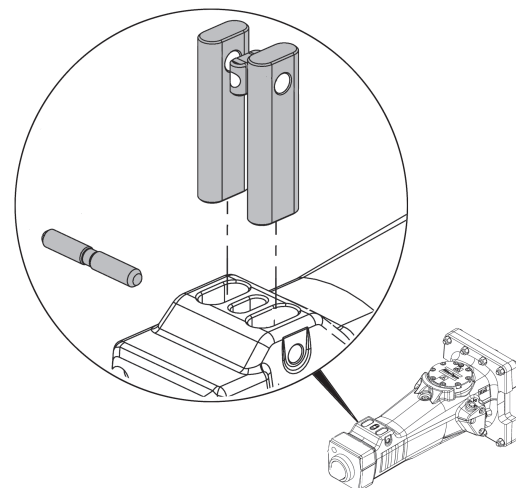
► Fixez l'engin porteur de manière à prévenir tout risque de mouvement accidentel.

1. Avant de changer l'outil d'insertion, coupez toujours le moteur de l'engin porteur.
2. Montez (et démontez) l'outil d'insertion à l'aide d'une sangle de levage, afin de minimiser les risques.



Certains outils d'insertion sont lourds. Veillez par conséquent à utiliser un outil de levage pour les déposer de manière sûre.

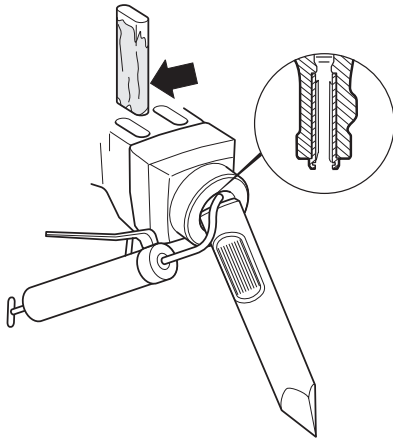
3. Vérifiez que le tampon de verrouillage n'est pas usé ou endommagé.



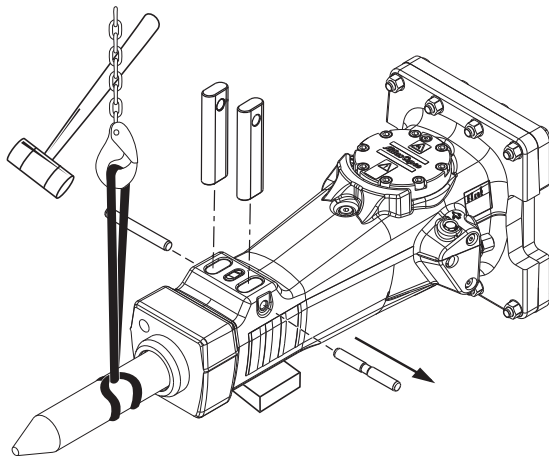
Le tampon de verrouillage dans le dispositif de verrouillage du dispositif de retenue de l'outil est fait en plastique et peut fondre lors du travail dans un environnement chaud. Si cela se produit, changez l'ergot d'arrêt standard. Vous trouverez une cheville à ressort en option pour le

remplacement dans la liste des pièces détachées.

- Nettoyez et graissez généreusement la douille. C'est particulièrement important lors montage d'un nouvel outil d'insertion.



- Installez l'outil d'insertion.
- Faites tourner l'outil d'insertion pour bien répartir la graisse.
- Installez les dispositifs de retenue de l'outil, un à la fois.
- Engagez l'ergot d'arrêt jusqu'à ce que le tampon de verrouillage se fixe dans la gorge de l'ergot d'arrêt.



L'outil d'insertion se démonte dans l'ordre inverse des instructions de montage.

## Fonctionnement

**ATTENTION!** Le brise-roche hydraulique ou l'outil de travail ne doivent pas être utilisés comme dispositif de levage. Pour soulever des composants lourds, utilisez le crochet du bras de l'engin porteur.

## Préparatifs avant de commencer le travail de démolition

### Températures de fonctionnement

Les températures de fonctionnement du brise-roche hydraulique se situent entre  $-20^{\circ}\text{C}$  et  $+80^{\circ}\text{C}$ .

#### ▲ PRUDENCE Températures extrêmes

Le brise-roche hydraulique et le système d'huile hydraulique de l'engin porteur risquent d'être endommagés si le brise-roche hydraulique est utilisé à des températures trop basses ou trop élevées.

- ▶ Démarrez uniquement le brise-roche hydraulique lorsque l'huile hydraulique a atteint sa température de fonctionnement adéquate.
- ▶ Si la température extérieure est en dessous de  $-20^{\circ}\text{C}$ , il convient de faire chauffer l'outil de travail et le brise-roche hydraulique avant leur utilisation.
- ▶ Si la température de l'huile dépasse  $+80^{\circ}\text{C}$ , vous ne devez pas utiliser le brise-roche hydraulique du fait que la qualité de l'huile devient inadéquate et réduit sensiblement la durée de vie des garnitures et des joints toriques.

### Régime-moteur

Un régime moteur trop élevé ne fait qu'augmenter la consommation du carburant et la température de l'huile. Ajustez le régime moteur à la valeur recommandée pour obtenir un débit d'huile adéquat.

## Utilisation

### Casse

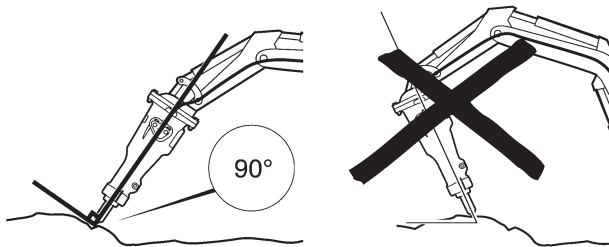
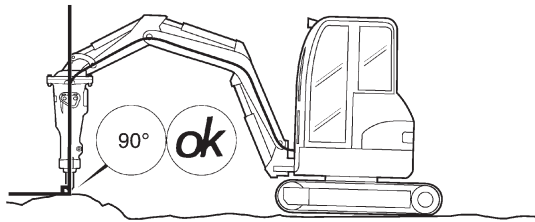
#### ▲ PRUDENCE Dangers liés à l'utilisation d'outils et de la machine

Le fonctionnement continu à pleine extension/rétraction peut endommager les vérins hydrauliques.

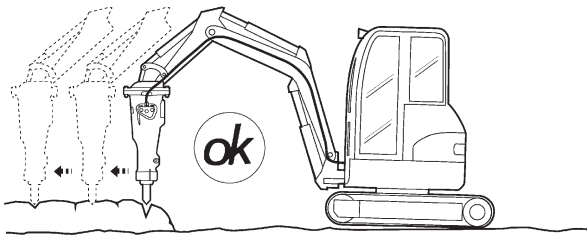
- ▶ Évitez toujours d'utiliser le brise-roche avec les vérins complètement étendu ou rétractés.
- ▶ Repositionnez l'engin porteur et/ou la flèche afin d'éviter que les vérins ne soient complètement étendus ou rétractés.
- ▶ Soyez vigilant et concentrez-vous sur ce que vous faites.

Ne démarrez jamais le brise-roche hydraulique avant que l'engin porteur et le brise-roche hydraulique ne soient en position correcte.

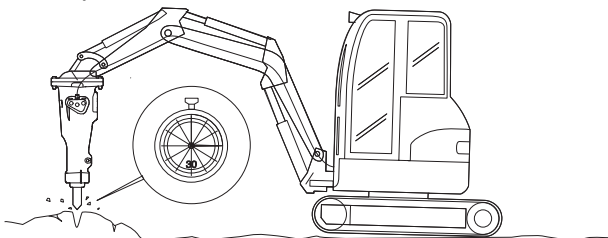
- ◆ Dirigez le brise-roche hydraulique d'un angle de 90° vers l'objet.



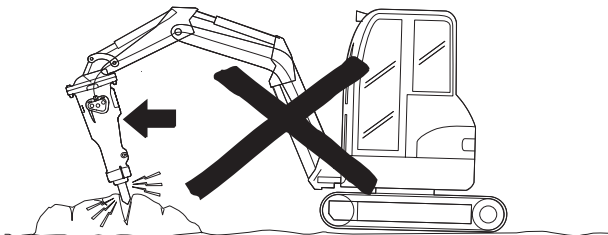
- ◆ Commencez près du bord et continuez à travailler vers le milieu. Ne commencez jamais à partir de milieu de l'objet à démolir.



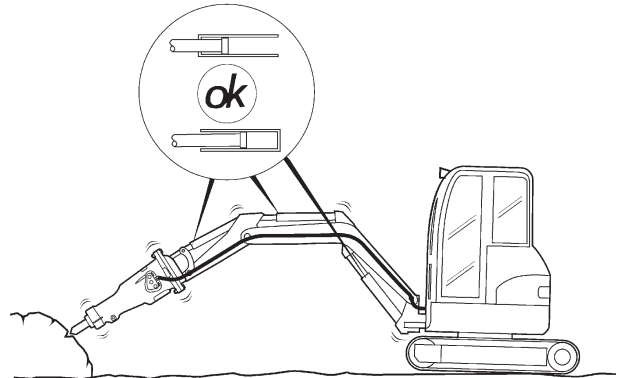
- ◆ N'utilisez jamais le brise-roche hydraulique plus de 15 secondes sur le même point. Déplacez l'outil de travail vers une nouvelle position si l'objet ne casse pas.



- ◆ Ne pliez jamais avec l'outil de travail.

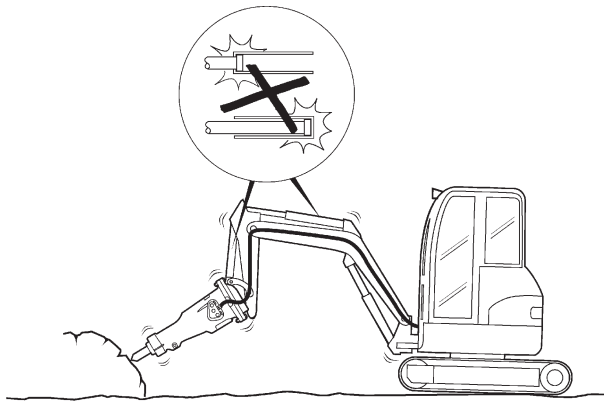


- ◆ Utilisez la bonne pression d'avance. Lorsque la pression d'avance est adéquate, le brise-roche hydraulique travaille de façon optimale et les vibrations sont minimales. En outre, l'usure de la douille et de l'outil est minimale.

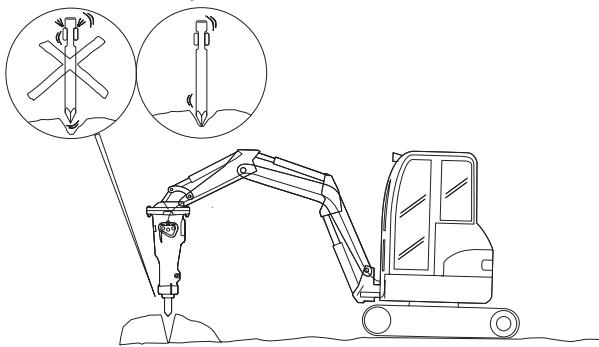


- ◆ Écoutez le bruit provenant du brise-roche hydraulique. Le bruit change s'il y a une flexion entre l'outil et la douille.

- ◆ Ne faites jamais fonctionner le brise-roche avec les vérins de flèche à leurs positions d'extrémité. Cela risque d'endommager l'engin porteur.

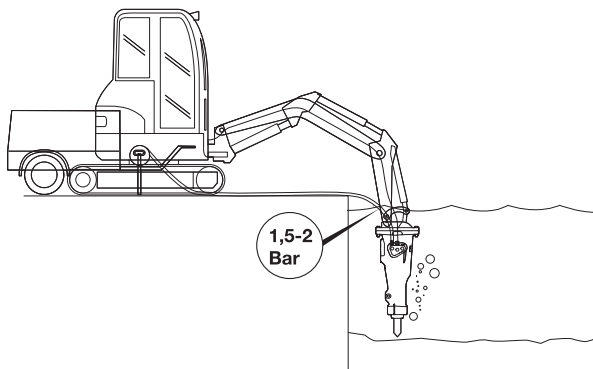


- ◆ Évitez les courses de retour ; cela use l'outil de travail et les dispositifs de retenue de l'outil.



### Procédure de casse sous l'eau

Les brise-roche hydrauliques peuvent être utilisés sous l'eau.



En cas d'utilisation sous l'eau, le brise-roche hydraulique doit être alimenté avec de l'air comprimé pour garder la zone entre le piston et l'outil de travail libre de toute eau. Si la zone entre le piston et l'outil de travail se remplit d'eau, celle-ci peut pénétrer dans le système d'huile hydraulique au moment du démarrage du brise-roche hydraulique.

La pression d'air doit être de 1,5 à 2 bars à la prise d'air sur le brise-roche et la consommation d'air est indiquée aux « Caractéristiques techniques ». Le flexible d'air adéquat est un flexible hydraulique de 1/4" avec une connexion JIC. Contactez votre atelier agréé le plus proche pour plus d'informations.

## Maintenance

Il est essentiel que la maintenance soit régulièrement effectuée afin de garder l'efficacité de maximale du brise-roche.

Un équipement insuffisamment entretenu peut s'avérer dangereux pour l'opérateur et les personnes à proximité du brise-roche. Assurez-vous que les procédures de routine de maintenance et lubrification sont respectées pour garder l'équipement sûr et efficace.

## Toutes les deux heures

Lubrifiez régulièrement l'outil de travail, les dispositifs de retenue de l'outil et les douilles avec de la pâte pour ciseaux Atlas Copco Tool.

### Lubrification à l'aide d'une pompe à graisse

**▲ ATTENTION** La pointe de l'outil de travail peut devenir très chaude pendant le fonctionnement et peut rester ainsi pendant un moment après l'utilisation.

- Évitez le contact avec l'outil de travail.

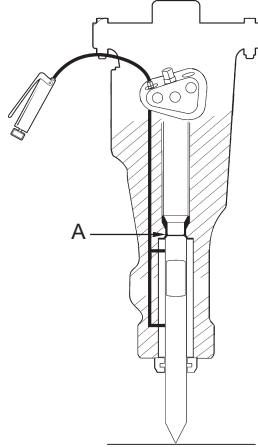


**▲ PRUDENCE Eczéma de contact**

La graisse peut provoquer de l'eczéma en cas de contact avec la peau.

► Évitez d'avoir de la graisse sur vos mains.

1. Poussez l'outil dans le brise-roche jusqu'à l'arrêt (A). Sinon l'espace entre la tête de l'outil et le brise-roche sera remplie de graisse.



2. Lubrifiez la tige de l'outil de travail pendant les opérations ascendantes. La douille et l'outil de travail doivent être tellement lubrifiés qu'aucune saleté ne puisse pénétrer dans le brise-roche hydraulique.

Lorsque la tige de l'outil est soumise à de hautes températures et pressions, une graisse de type standard fondra et coulera. Utilisez toujours la graisse de la tige de l'outil Atlas Copco pour éviter de telles situations.

**Système de lubrification centrale**

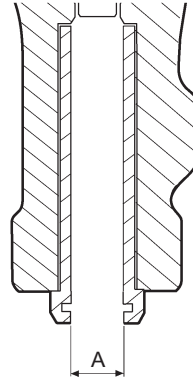
Nous recommandons le système de lubrification centrale Atlas Copco. Lorsque ce système est fixé sur l'engin porteur, la graisse est pompée sans interruption à partir d'un récipient de lubrification sur l'engin porteur vers le brise-roche lorsque ce dernier est activé. Cela augmente considérablement la durée de vie des douilles de l'outil et des outils de travail.

**Chaque jour**

1. Examinez les dispositifs de retenue et l'ergot d'arrêt.
2. Vérifiez que les flexibles, les raccords et l'accumulateur sont en bon état.
3. Vérifiez que les boulons et les connexions ne sont pas endommagés et qu'ils sont correctement serrés. Consultez les couples de serrage dans la liste des pièces détachées.
4. Remplissez le système de lubrification centrale.

**Chaque semaine**

1. Nettoyez le brise-roche hydraulique soigneusement.
2. Vérifiez l'usure de la douille de l'outil et les limites d'usure interne maximales (B).



La douille de l'outil doit être remplacée lorsque le diamètre intérieur (A) atteint sa limite d'usure maximale, voir « Limites d'usure » et « Remplacement de la douille de l'outil de travail ».

3. Vérifiez l'usure de l'outil de travail (C).



L'outil de travail doit être remplacé lorsque le diamètre extérieur (B) atteint sa limite d'usure minimale. Voir « Limites d'usure ».

Avec un jeu trop grand, l'outil de travail peut casser et le piston peut être endommagé.

4. Examinez les fissures et l'usure du corps du brise-roche et de la plaque d'adaptateur.
5. Vérifiez que les vis d'accumulateur sont correctement serrées. Le bon couple de serrage figure à la liste des pièces détachées.

L'outil de travail ne doit jamais être affûté en le forgeant. L'affûtage ne doit être effectué que par fraisage, meulage ou tournage.

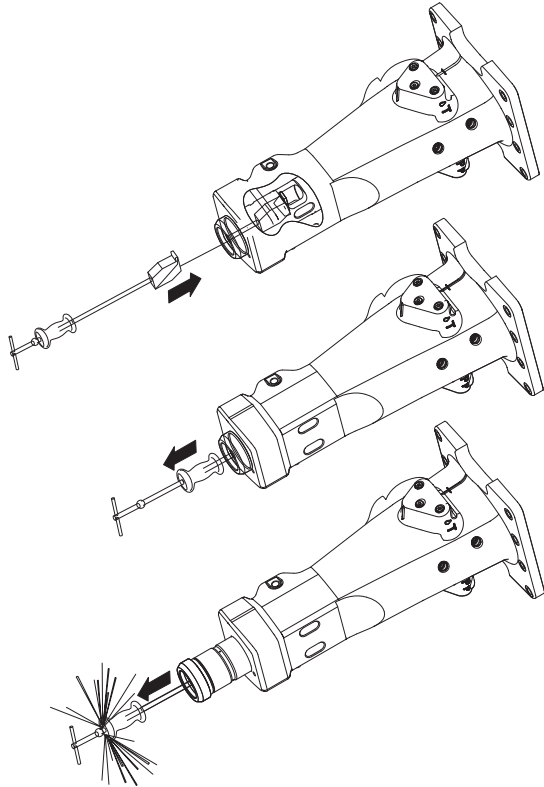
**Limites d'usure**

	B mm (in.)	C mm (in.)
SB 52	42 (1,6)	38 (1,5)
SB 102	47 (1,8)	43 (1,7)
SB 152	52 (2,0)	48 (1,9)
SB 202	68 (2,7)	63 (2,5)
SB 302	83 (3,3)	78 (3,1)
SB 452	98 (3,85)	92 (3,6)
SB 552	103 (4,1)	97 (3,8)

## Remplacement de la douille de l'outil de travail

La douille de l'outil de travail est maintenue par les dispositifs de retenue de l'outil. Une douille neuve dispose d'un raccord lisse.

1. Si une douille usée se coince, utilisez un marteau coulissant pour la retirer.



2. Nettoyez soigneusement l'alésage et la zone de logement de la douille.
3. Installez les nouveaux joints toriques, lubrifiez et installez la douille.
4. Utilisez une masse en plastique pour insérer la douille.
5. Gardez la douille en position avec l'aide des dispositifs de retenue de l'outil.
6. Installez un nouveau segment racleur.

## Chaque année

La révision devrait être effectuée après 1 an de fonctionnement continu. Pour des raisons de sécurité, la révision doit être effectuée par un personnel autorisé à l'atelier Atlas Copco le plus proche ou par d'autres ateliers Atlas Copco homologués.

## Stockage

**▲ ATTENTION** La chute d'un brise-roche peut provoquer des dommages corporels

- Le brise-roche hydraulique doit être placé dans une position sûre où il ne risque pas de se renverser et de provoquer des dommages.

Si le brise-roche hydraulique n'est pas utilisé pendant une longue période, les points suivants doivent être pris en compte pour le protéger contre la corrosion :

1. Nettoyez le brise-roche hydraulique soigneusement.
2. Démontez l'outil de travail et lubrifiez la partie frontale du piston, la douille et l'arrêt de l'outil.
3. Stockez le brise-roche hydraulique dans un endroit sec.

## Destruction d'une machine usagée

Une machine utilisée doit être traitée et mise à la ferraille de telle manière à ce que la plus grande partie des matériaux puisse être recyclée et que tout impact négatif sur l'environnement soit aussi faible que possible.

Avant de mettre à la ferraille une machine utilisée, elle doit être vidée et nettoyée de toute l'huile hydraulique. L'huile hydraulique résiduelle doit être évacuée et tout impact négatif sur l'environnement doit être réduit au maximum.



## Caractéristiques techniques

### Caractéristiques de la machine

	SB 52	SB 102	SB 152	SB 202	SB 302	SB 452	SB 552
Numéro de commande	8460 0300 10	8460 0300 30	8460 0300 40	8460 0300 50	8460 0300 60	8460 0300 70	8460 0300 80
Poids de fonctionnement (kg)	55	87	140	201	310	441	521
Poids à la livraison (kg)	44	68	110	154	224	321	390
Diamètre de la tige de l'outil (mm)	40	45	50	65	80	95	100

### Capacités

	SB 52	SB 102	SB 152	SB 202	SB 302	SB 452	SB 552
Tonnage min-max d'engin porteur approprié	0.7–1.1	1.1–3.0	1.9–4.5	2.5–6.0	4.5–9	6.5–13	9–15
Débit d'huile (l/min)	15–32	16–35	25–45	35–66	50–80	55–100	65–115
Fréquence d'impact (coups/minute)	960–2160	720–2280	840–1920	840–1800	600–1380	540–1260	660–1140
Pression de service (bar)	100–150	100–150	100–150	100–150	100–150	100–150	100–150
Tolérance de la pression de retour (bar)	25	18	25	25	26	21	18
Pression de l'accumulateur (bar)	40	40	40	40	40	40	40
Soupape de décharge (bars)	170	170	170	170	170	180	170
Pression de l'eau (bar)	-	-	4	4	4	4	4
Consommation d'eau (l/min)	-	-	≤5	≤5	≤9	≤9	≤9
Pression de l'air (bar)	2	2	2	2	2	2	2
Débit d'air (l/min)	≤730	≤730	≤730	≤730	≤730	≤730	≤730

### Énoncé déclaratif sur le bruit

	SB 52	SB 102	SB 152	SB 202	SB 302	SB 452	SB 552
Pression acoustique <sup>1</sup> dB(A)	89	87	86	90	91	94	98
Puissance acoustique <sup>2</sup> dB(A)	117	115	114	118	119	122	126

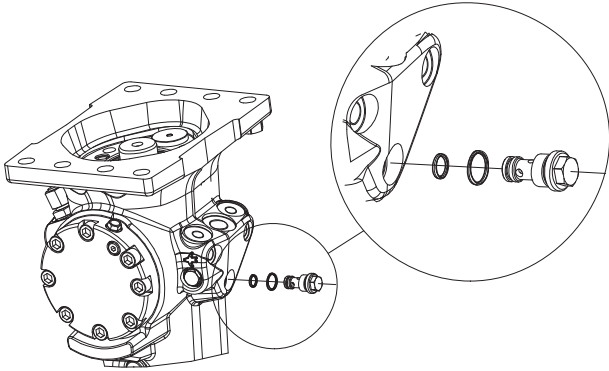
<sup>1</sup> Niveau de pression acoustique selon la norme EN ISO 3744 conformément à la directive 2000/14/CE à une distance de 10 mètres.

<sup>2</sup> Niveau de puissance acoustique garanti selon la norme EN ISO 3744 conformément à la directive 2000/14/CE, y compris diffusion en production.

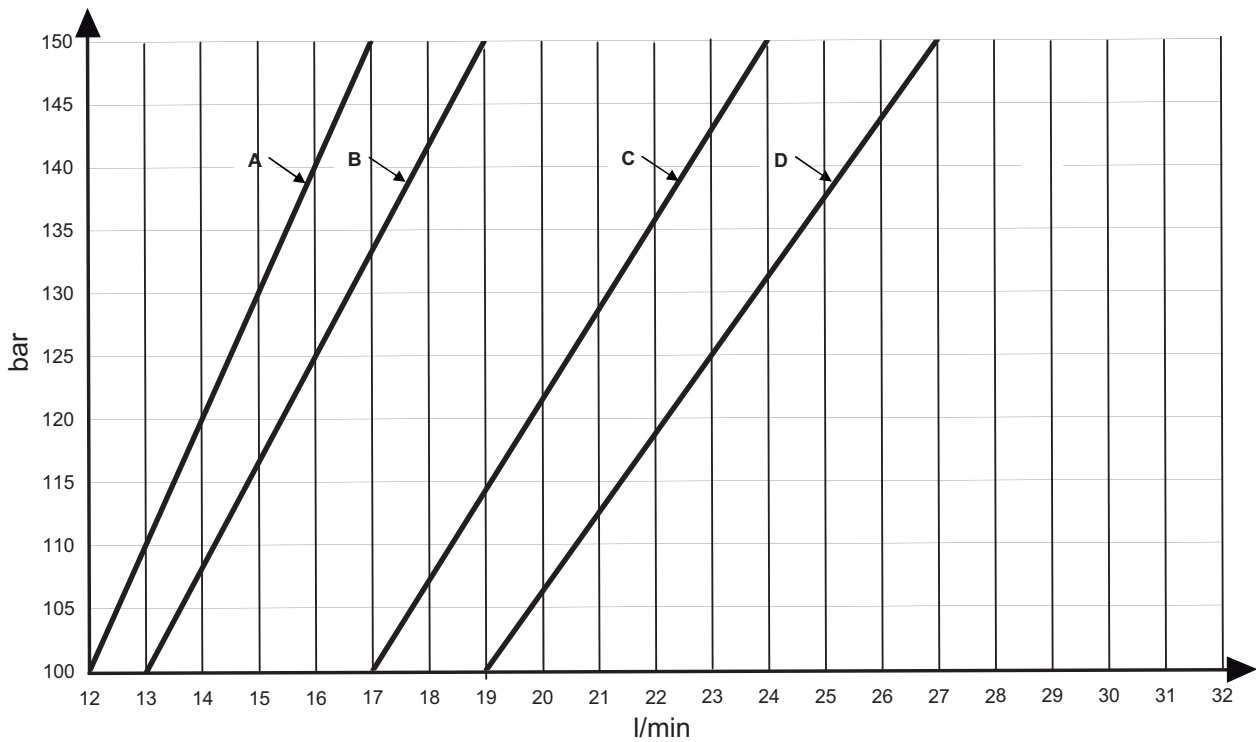
### Schéma de circulation des fluides pour une bonne pression de fonctionnement

Le débit d'huile de l'engin porteur peut être calibré pour atteindre la bonne pression de fonctionnement. Les étrangleurs être commandés en utilisant la liste des pièces détachées.

Les diagrammes montrent le débit d'huile à une viscosité de 32 cSt.

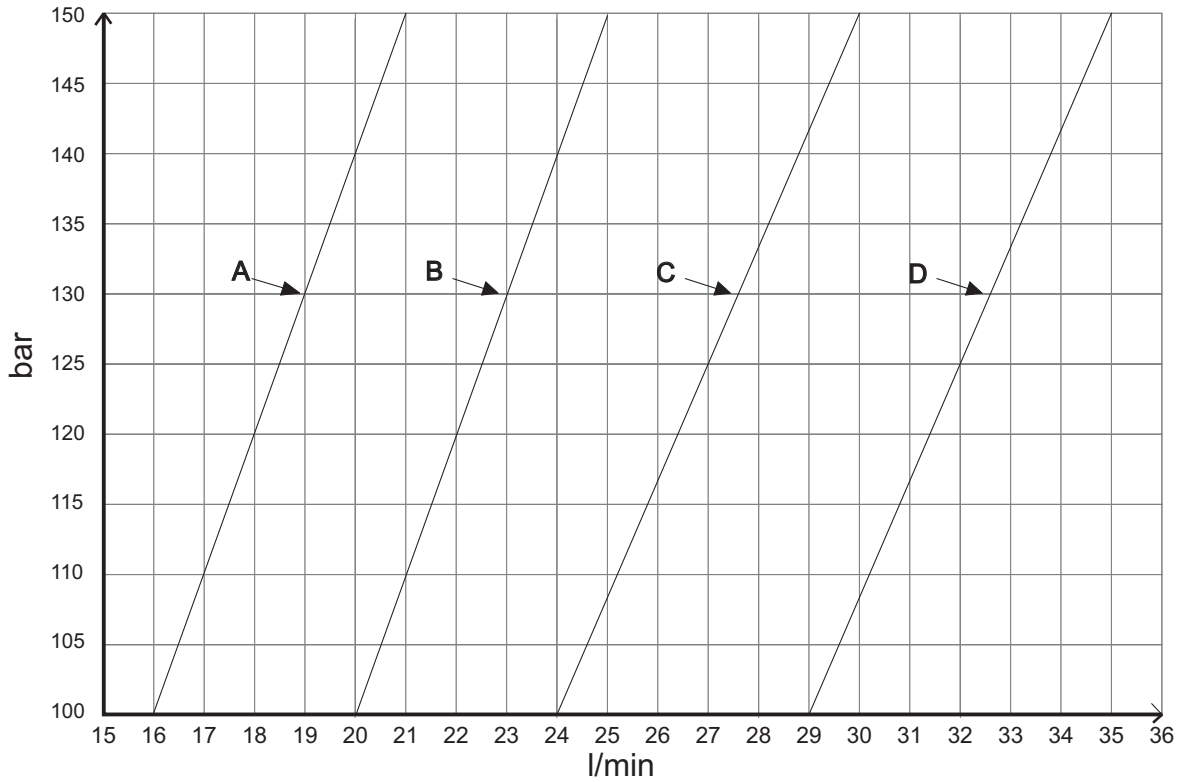


**SB 52 : 100-150 bar**



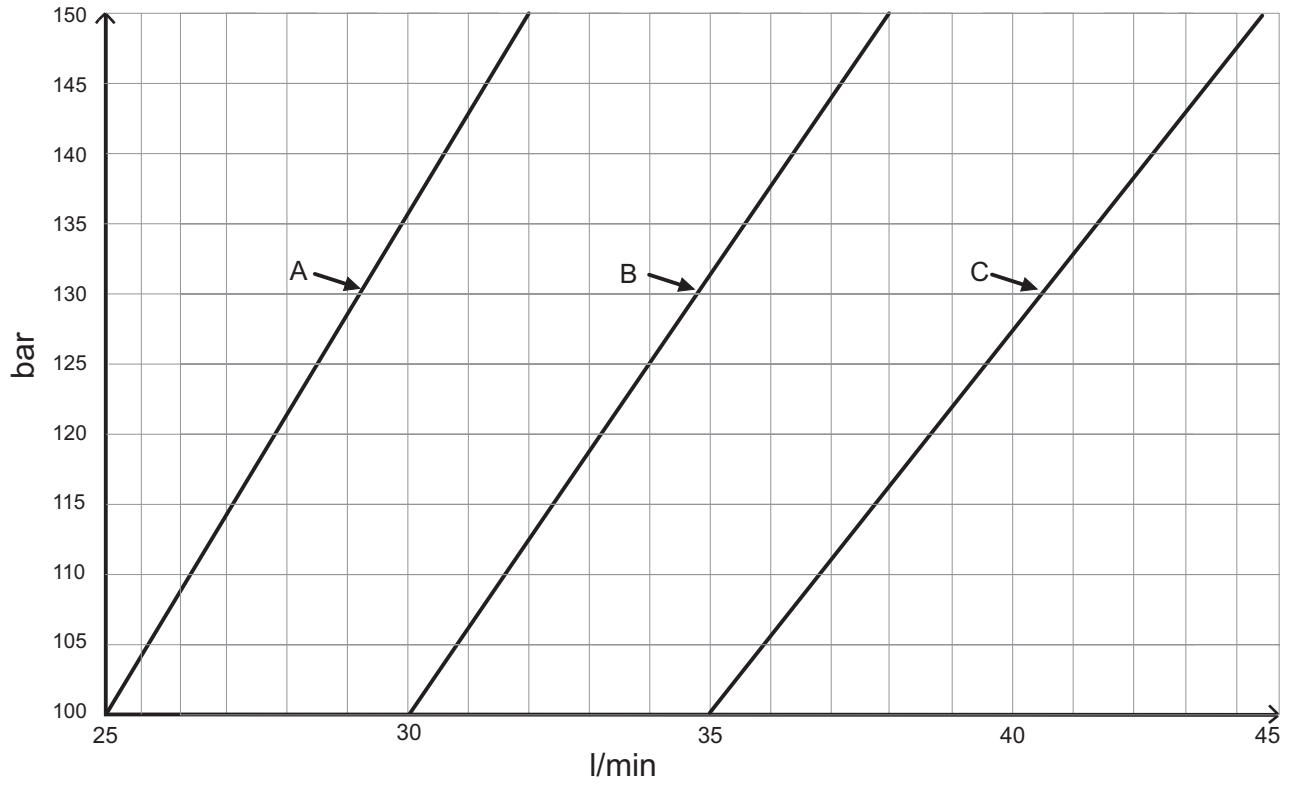
Réducteur	N° de commande	Réducteur	N° de commande
A	3315 2875 22	C	3315 2875 36
B	3315 2875 24	D (Standard)	3315 2875 37

**SB 102 : 100-150 bar**



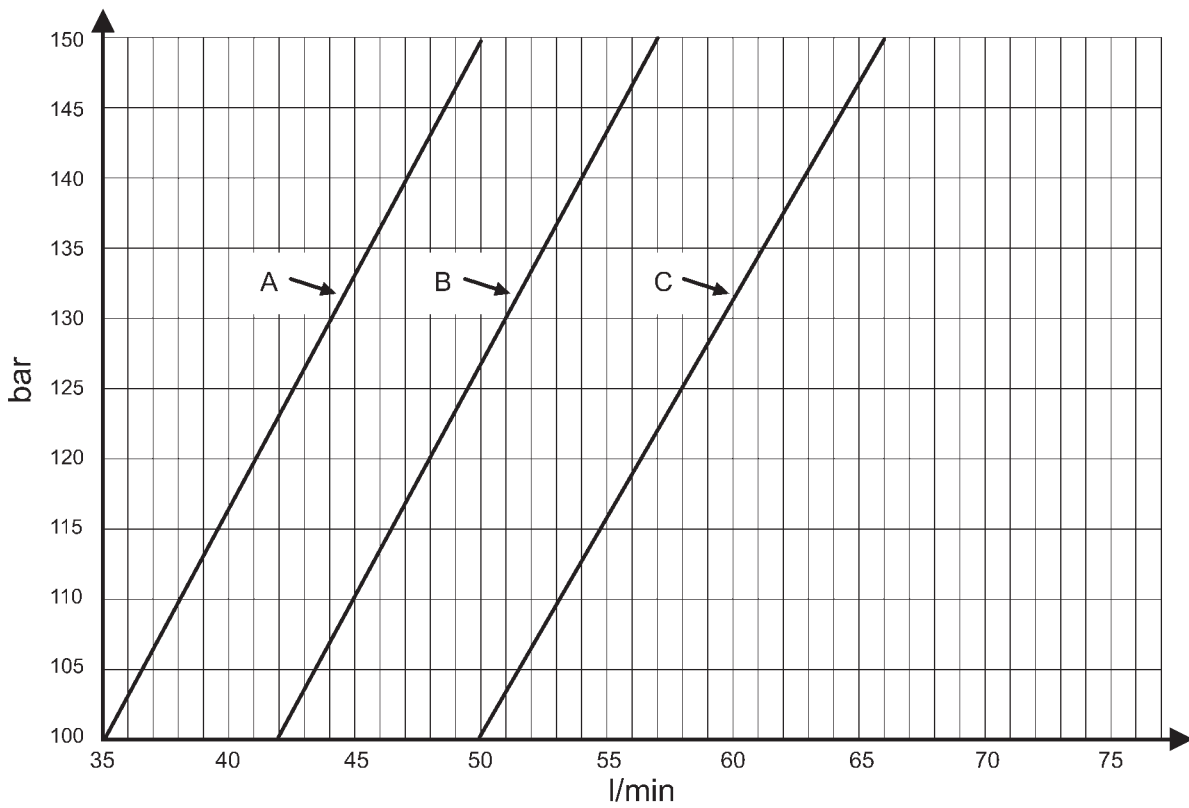
Réducteur	N° de commande	Réducteur	N° de commande
A	3315 2875 36	C	3315 2875 38
B	3315 2875 37	D (Standard)	3315 2875 35

**SB 152 : 100-150 bar**



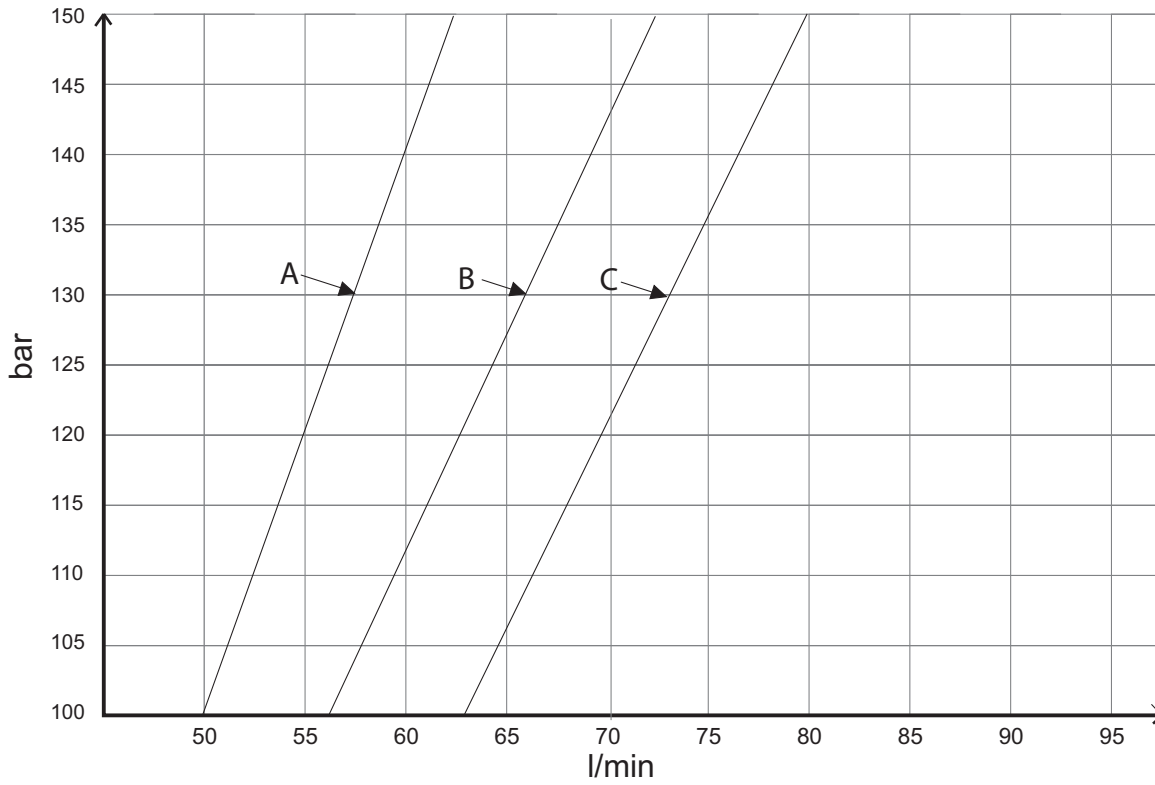
Réducteur	N° de commande	Réducteur	N° de commande
A	3315 2875 40	C (Standard)	3315 2875 51
B	3315 2875 35		

**SB 202 : 100-150 bar**



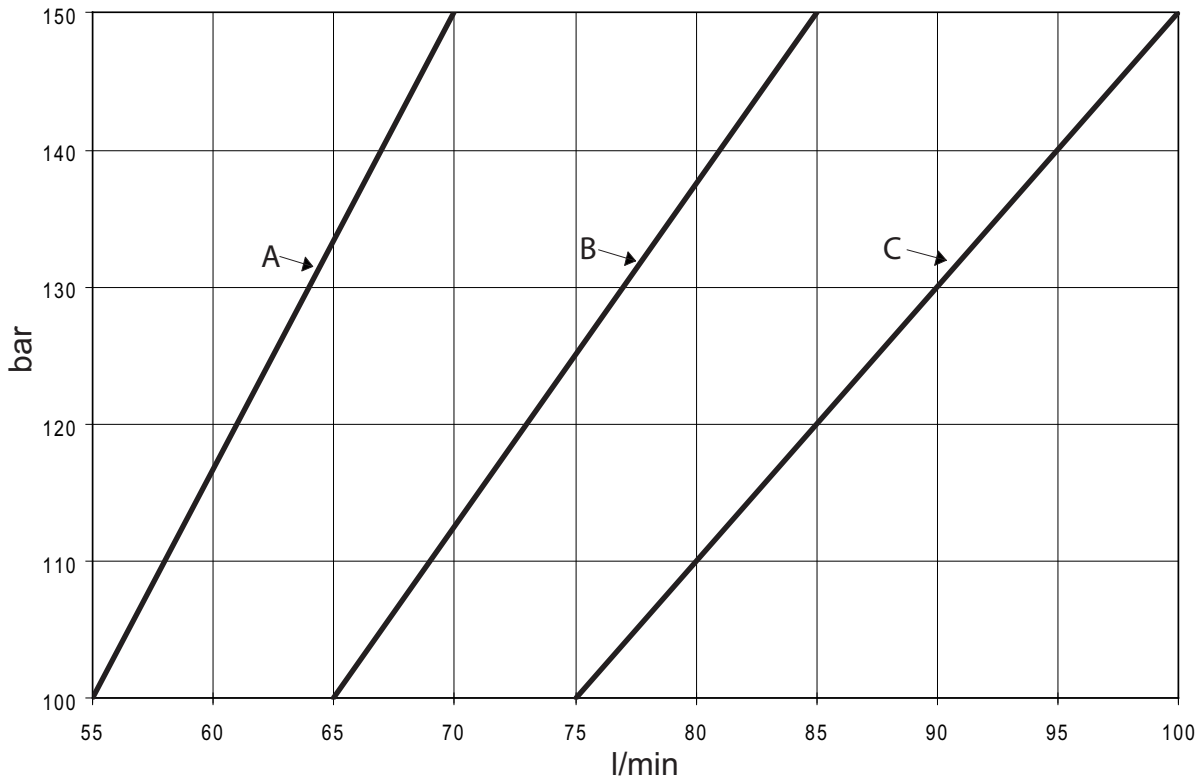
Réducteur	N° de commande	Réducteur	N° de commande
A	3315 2875 45	C (Standard)	3315 3040 80
B	3315 2875 55		

**SB 302: 100-150 bar**



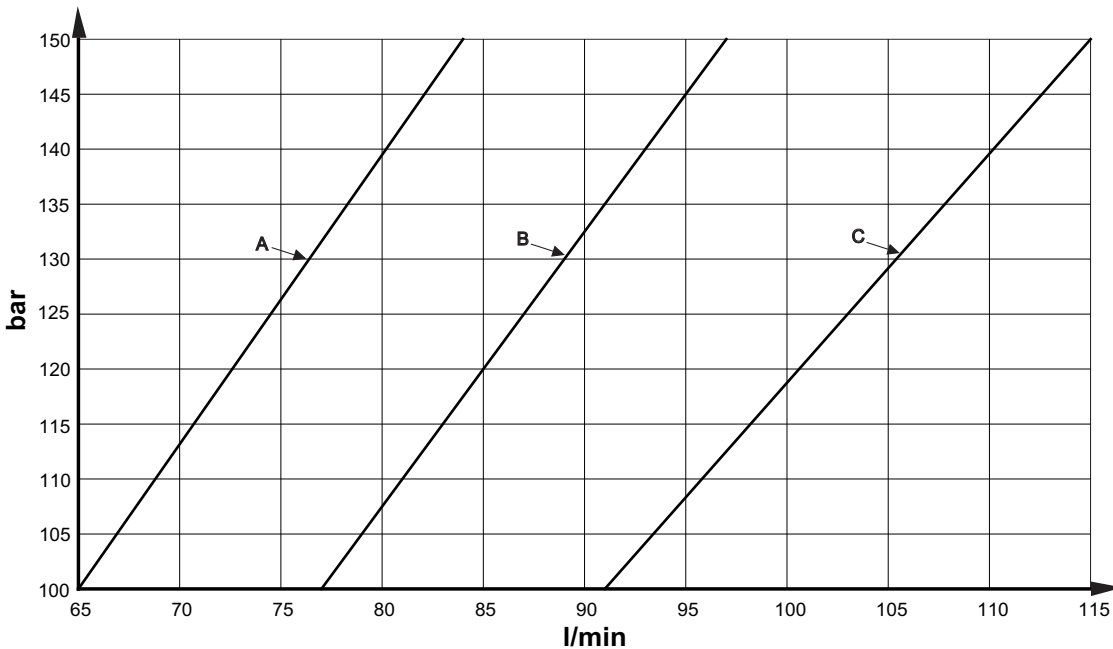
Réducteur	N° de commande	Réducteur	N° de commande
A	3315 3588 54	C (Standard)	3315 3588 63
B	3315 3152 35		

**SB 452: 100–150 bar**



Réducteur	N° de commande	Réducteur	N° de commande
A	3315 3152 35	C (Standard)	3315 3152 53
B	3315 3152 45		

**SB 552 : 100-150 bar**



Réducteur	N° de commande	Réducteur	N° de commande
A	3315 3152 35	C (Standard)	3315 3152 55
B	3315 3152 45		

## DEUTSCH

**Inhalt**

Einleitung.....	59
Informationen zu den Sicherheitshinweisen und zur Betriebsanleitung.....	59
<b>Sicherheitshinweise.....</b>	<b>60</b>
<b>Sicherheits-Signalworte.....</b>	<b>60</b>
<b>Personliche Vorsichtsmaßnahmen und Qualifikationen.....</b>	<b>60</b>
Transport.....	60
Installation, Lagerung, Wartung und Entsorgung.....	60
Betrieb.....	60
Überprüfung.....	60
Schutzausrüstung.....	60
Drogen, Alkohol oder Medikamente.....	61
<b>Trägergeräte, Vorsichtsmaßnahmen.....</b>	<b>61</b>
<b>Installation, Vorsichtsmaßnahmen.....</b>	<b>61</b>
Hydrauliksystem.....	61
Montage / Demontage.....	61
<b>Betrieb, Vorsichtsmaßnahmen.....</b>	<b>62</b>
<b>Lagerung, Vorsichtsmaßnahmen.....</b>	<b>63</b>
<b>Wartung, Vorsichtsmaßnahmen.....</b>	<b>63</b>
<b>Übersicht.....</b>	<b>64</b>
<b>Konstruktion und Funktion.....</b>	<b>64</b>
<b>Hauptkomponenten.....</b>	<b>64</b>
<b>Schilder und Aufkleber.....</b>	<b>64</b>
Typenschild.....	65
Geräuschpegelzeichen.....	65
Schilder am Drucksammler.....	65
<b>Transport.....</b>	<b>65</b>
<b>Anheben des Hydraulikhammers.....</b>	<b>65</b>
<b>Installation.....</b>	<b>66</b>
<b>Schläuche und Anschlüsse.....</b>	<b>66</b>
<b>Das Hydrauliköl.....</b>	<b>67</b>
<b>Montage.....</b>	<b>67</b>
<b>Druckeinstellung.....</b>	<b>68</b>
<b>Wasserspülung.....</b>	<b>69</b>
<b>Werkzeug.....</b>	<b>69</b>
Auswählen des richtigen Einsteckwerkzeugs.....	69
Konischer Spitzmeißel.....	69
Meißel und Spaten.....	69
Stumpfmeißel.....	69
Montage und Demontage des Einsteckwerkzeugs.....	69
<b>Betrieb.....</b>	<b>70</b>
<b>Vorbereitungen vor der Inbetriebnahme.....</b>	<b>70</b>
Betriebstemperaturen.....	70
Motordrehzahl.....	71
<b>Betrieb.....</b>	<b>71</b>
Aufbrechen.....	71
Betrieb unter Wasser.....	73
<b>Wartung.....</b>	<b>73</b>
<b>Alle zwei Stunden.....</b>	<b>73</b>
Schmierem mit der Fettpresse.....	73



Zentrales Schmiersystem.....	74
<b>Täglich</b> .....	74
<b>Wöchentlich</b> .....	74
Verschleißgrenzen.....	75
Ersetzen der Werkzeughülse.....	75
<b>Jährlich</b> .....	75
<b>Lagerung</b> .....	75
<b>Entsorgung</b> .....	75
<b>Technische Daten</b> .....	76
<b>Maschinendaten</b> .....	76
<b>Kapazitäten</b> .....	76
<b>Erklärung zur Geräuschemission</b> .....	76
<b>Flussdiagramme für den richtigen Betriebsdruck</b> .....	76
SB 52: 100–150 Bar.....	77
SB 102: 100–150 Bar.....	78
SB 152: 100–150 Bar.....	79
SB 202: 100–150 Bar.....	80
SB 302: 100–150 Bar.....	81
SB 452: 100–150 bar.....	82
SB 552: 100–150 Bar.....	82



## Einleitung

Wir danken Ihnen für die Wahl eines Produkts von Atlas Copco! Seit 1873 sind wir bestrebt, die Wünsche und den Bedarf unserer Kunden optimal zu decken. Unsere innovativen und ergonomischen Produktlösungen dienen der Kostensenkung und somit der besseren Rentabilität der Unternehmenstätigkeit des Kunden.

Atlas Copco verfügt mit seinen Kundenzentren und Vertragshändlern weltweit über ein umfangreiches Vertriebs- und Servicenetz. Unsere Fachleute sind Spezialisten mit umfassenden Produktkenntnissen und Anwendungserfahrungen. Wir bieten unseren Kunden Service und Know-how in allen Teilen der Welt, um optimale Betriebseffizienz zu gewährleisten.

Besuchen Sie gern unsere Website für weitere Informationen:  
[www.atlascopco.com](http://www.atlascopco.com)

## Informationen zu den Sicherheitshinweisen und zur Betriebsanleitung

Ziel dieser Anleitung ist es, Sie mit der sicheren und effizienten Bedienung des Hydraulikhammers vertraut zu machen. Die Anleitung enthält auch Hinweise zur Durchführung regelmäßiger Wartungsarbeiten am Hydraulikhammer.

Lesen Sie bitte diese Anleitung vor der ersten Benutzung des Hydraulikhammers genau durch.

## Sicherheitshinweise

Vor dem Betrieb der Maschine sind die folgenden Anweisungen durchzulesen, um Unfallrisiken, die mit Lebensgefahr verbunden sein können, zu verhüten.

Schlagen Sie diese Sicherheitshinweise am Arbeitsplatz an. Verteilen Sie Kopien an die Mitarbeiter. Stellen Sie sicher, dass jeder Mitarbeiter die Sicherheitshinweise vor dem Betrieb der Maschine oder vor Servicearbeiten liest.

Alle Sicherheitsbestimmungen sind einzuhalten.

## Sicherheits-Signalworte

Die Sicherheits-Signalworte Gefahr, Warnung und Achtung haben folgende Bedeutung:

<b>GEFAHR</b>	Hinweis auf eine Gefahrensituation, die bei Nichtbeachtung zu schweren oder lebensgefährlichen Unfällen führt.
<b>WARNUNG</b>	Hinweis auf eine Gefahrensituation, die bei Nichtbeachtung zu schweren oder lebensgefährlichen Unfällen führen kann.
<b>ACHTUNG</b>	Hinweis auf eine Gefahrensituation, die bei Nichtbeachtung zu geringen oder leichten Verletzungen führen kann.

## Personliche Vorsichtsmaßnahmen und Qualifikationen

Die Maschine darf nur von qualifiziertem und geschultem Personal bedient oder gewartet werden. Wenden Sie immer Ihren gesunden Menschenverstand an.

### Transport

Der Transport des Hydraulikhammers darf nur von Personen durchgeführt werden, die:

- autorisiert sind, einen Kran oder einen Gabelstapler gemäß den geltenden nationalen Richtlinien zu bedienen,
- alle relevanten nationalen Sicherheitshinweise und Anweisungen zur Verhütung von Unfällen kennen
- und die die Kapitel über Sicherheit und Transport dieses Handbuchs gelesen und verstanden haben.

## Installation, Lagerung, Wartung und Entsorgung

Installation, Lagerung, Wartung und Entsorgung des Hydraulikhammers dürfen nur von Personen durchgeführt werden, die:

- alle relevanten nationalen Sicherheitshinweise und Anweisungen zur Verhütung von Unfällen kennen
- die die Sicherheitshinweise und Betriebsanleitung verstanden haben.

### Betrieb

Der Betrieb des Hydraulikhammers darf nur von qualifizierten Bedienern von Trägergeräten durchgeführt werden. Bediener von Trägergeräten sind qualifiziert, sofern sie:

- für den Betrieb von Trägergeräten gemäß den nationalen Richtlinien geschult sind,
- alle relevanten nationalen Sicherheitshinweise und Anweisungen zur Verhütung von Unfällen kennen
- die die Sicherheitshinweise und Betriebsanleitung verstanden haben.

### Überprüfung

Das Überprüfen des Hydraulikhammers darf nur von professionellen Technikern durchgeführt werden. Die Techniker müssen autorisiert sein, ein Hydrauliksystem gemäß den nationalen Richtlinien zu bedienen.

### Schutzausrüstung

Verwenden Sie stets geeignete Schutzausrüstung! Von Mitarbeitern und anderen Personen im Arbeitsbereich ist mindestens folgende Schutzausrüstung zu tragen:

- Schutzhelm
- Gehörschutz
- Schutzbrille (mit seitlicher Abschirmung der Augen)
- Atemmaske (bei Bedarf)
- Schutzhandschuhe
- Geeignete Sicherheitsschuhe

## Drogen, Alkohol oder Medikamente

### ▲ **WARNUNG** Drogen, Alkohol oder Medikamente

Drogen, Alkohol oder Medikamente können Ihre Urteilkraft und Konzentrationsfähigkeit einschränken. Schlechte Reaktionsfähigkeit und Fehleinschätzungen können zu schweren Verletzungen führen.

- ▶ Bedienen Sie die Maschine niemals, wenn Sie müde sind oder unter dem Einfluss von Drogen, Alkohol oder Medikamenten stehen.
- ▶ Personen, die unter dem Einfluss von Drogen, Alkohol oder Medikamenten stehen, dürfen die Maschine nicht bedienen.

## Trägergeräte, Vorsichtsmaßnahmen

Bevor Sie das Trägergerät mit dem installierten Hydraulikhammer transportieren, lesen Sie bitte sorgfältig die Sicherheitshinweise und die Betriebsanleitung des Trägergeräts.

Stellen Sie sicher, dass das Trägergerät mit entsprechenden Schutzvorrichtungen ausgerüstet ist, einschließlich einer Schutzscheibe vor dem Bediener.

Der Hydraulikhammer sollte nur an ein Trägergerät mit ausreichender Tragfähigkeit montiert werden.

Trägergeräte ohne ausreichende Tragfähigkeit erreichen nicht die erforderliche Stabilität und könnten sogar während der Benutzung des Hydraulikhammers umkippen, was zu ernsthaften Verletzungen und Beschädigungen führen kann.

## Installation, Vorsichtsmaßnahmen

### Hydrauliksystem

#### ▲ **GEFAHR** Druckgas, Explosionsgefahr

Der Drucksammler steht auch bei abgestelltem Hydrauliksystem unter Druck. Den Drucksammler zu demontieren, ohne zuvor das Gas entweichen zu lassen, kann zu ernsthaften Verletzungen oder zum Tod führen.

- ▶ Füllen Sie den Hochdrucksammler nur mit Stickstoff (N<sub>2</sub>).
- ▶ Arbeiten am Druckspeicher dürfen nur von qualifiziertem Fachpersonal ausgeführt werden.

### ▲ **WARNUNG** Unter hohem Druck stehendes Hydrauliköl

Ein dünner Strahl von unter hohem Druck austretendem Hydrauliköl kann die Haut durchdringen und zu ernsthaften Verletzungen und bleibenden Schäden führen.

- ▶ Suchen Sie sofort ärztliche Hilfe auf, wenn Hydrauliköl unter die Haut gelangt ist.
- ▶ Prüfen Sie niemals mit der Hand auf Undichtigkeiten von Hydrauliköl.
- ▶ Halten Sie Ihr Gesicht fern von möglichen Leckagen.

### ▲ **WARNUNG** Hydrauliköl

Ausgelaufenes Hydrauliköl kann Verbrennungen oder Unfälle durch Ausrutschen verursachen und schädigt außerdem die Umwelt.

- ▶ Entsorgen Sie ausgelaufenes Hydrauliköl entsprechend den geltenden Sicherheits- und Umweltvorschriften.
- ▶ Demontieren Sie niemals den Hydraulikhammer, wenn das Hydrauliköl noch heiß ist.
- ▶ Betreiben Sie Hydraulikleitungen für den Anschluss des Hydraulikhammers niemals über die Kabine des Trägergeräts.

### ▲ **ACHTUNG** Hautirritationen

Hydrauliköl kann bei Hautkontakt Entzündungen der Haut verursachen.

- ▶ Vermeiden Sie den Hautkontakt mit Hydrauliköl.
- ▶ Tragen Sie immer Schutzhandschuhe, wenn Sie mit Hydrauliköl arbeiten.

## Montage / Demontage

### ▲ **WARNUNG** Bewegliche Teile

Gefahr von Quetschungen oder Brüchen von Händen und Fingern.

- ▶ Prüfen Sie Bohrungen niemals mit der Hand oder den Fingern.
- ▶ Jegliche Bewegungen des Auslegers dürfen nur zusammen mit dem Montagepersonal des Hydraulikhammers ausgeführt werden.
- ▶ Wird der Hydraulikhammer an einer Schnellkupplung montiert, stellen Sie sicher, dass diese gut gesichert ist und kein Risiko besteht, dass sich der Hydraulikhammer löst.

## Betrieb, Vorsichtsmaßnahmen

### ▲ GEFÄHR Explosionsgefahr

Wenn ein Werkzeug mit Explosivstoffen oder explosiven Gasen in Kontakt kommt, kann es zu einer Explosion kommen. Bei der Arbeit mit bestimmten Materialien können Funken auftreten und Explosionen verursachen. Explosionen können zu ernsthaften Verletzungen oder zum Tod führen.

- ▶ Die Maschine nie in einer explosiven Umgebung betreiben.
- ▶ Verwenden Sie die Maschine niemals in der Nähe von entzündlichen Materialien, Dämpfen oder Staub.
- ▶ Stellen Sie sicher, dass keine verborgenen Gasquellen oder Explosivstoffe vorhanden sind.

### ▲ WARNUNG Betriebsdruck

Wenn der maximale Betriebsdruck des Hydraulikhammers überschritten wird, wird der Drucksammler überladen, was zu Sachschäden und zu Verletzungen führen kann.

- ▶ Betreiben Sie den Hydraulikhammer immer mit dem richtigen Arbeitsdruck. Siehe „Technische Daten“.

### ▲ WARNUNG Quarzstaub

Beim Aufbrechen oder anderen Arbeiten, die mit Gestein, Beton, Asphalt oder ähnlichen Materialien zu tun haben, kann Quarzstaub (auch „Quarzmehl“ genannt) entstehen, der zu Silikose (auch „Staublunge“ genannt, einer ernsthaften Lungenerkrankung) oder zu ähnlichen Krankheiten, zu Krebs oder zum Tod führen kann. Quarz ist ein Hauptbestandteil von Gesteinen, Sand und Mineralerzen.

- ▶ SB-Hydraulikhämmer sind für Staubunterdrückung vorbereitet, um Steinstaubbelastungen zu reduzieren.

### ▲ WARNUNG Gefahren durch Staub

Einige Staubsorten, Rauch oder andere Partikel in der Luft, die durch den Betrieb der Maschine freigesetzt werden, können chemische Elemente enthalten, die krebserregend sind oder Erbkrankheiten auslösen. Dazu gehören z. B.:

- Steinstaub, Zement und andere Baustoffe.
- Arsen und Chrom aus chemisch behandeltem Gummi.
- Blei aus bleihaltigen Farben.
- ▶ Um die Belastung durch diese Chemikalien gering zu halten, arbeiten Sie in einem gut belüfteten Raum mit geeigneter Sicherheitsausrüstung, z. B. Staubmasken, die speziell für die Filterung mikroskopischer Partikeln vorgesehen sind.

### ▲ WARNUNG Stromschlag

Der Hydraulikhammer ist nicht gegenüber elektrischem Strom isoliert. Wenn der Hydraulikhammer in Kontakt mit Stromkreisen oder anderen Stromquellen kommt, kann dies zu schweren Verletzungen oder zum Tod führen.

- ▶ Arbeiten Sie niemals in der Nähe von Stromkreisen oder anderen Stromquellen.
- ▶ Stellen Sie sicher, dass der Arbeitsbereich frei von Stromkreisen ist.

### ▲ WARNUNG Fliegende Splitter

Beim Aufbrechen können Splitter oder andere Partikel zu Geschossen werden und schwere Verletzungen verursachen, wenn Sie den Bediener des Hydraulikhammers oder andere Personen treffen. Kleine Objekte, die aus großer Höhe herunterfallen, können großen Schaden anrichten.

- ▶ Sperren Sie den Arbeitsbereich ab.
- ▶ Stellen Sie vor Beginn der Arbeit sicher, dass sich im Gefahrenbereich des Hydraulikhammers (im Umkreis von 20 Metern, in sowohl vertikaler als auch horizontaler Richtung) keine Personen aufhalten.
- ▶ Stellen Sie den Hydraulikhammer sofort ab, wenn sich Personen im Gefahrenbereich aufhalten.

### ▲ WARNUNG Gefahren durch Lärm

Hohe Schallpegel können zu bleibendem Hörverlust führen.

- ▶ Tragen Sie einen Gehörschutz entsprechend der betrieblichen Gesundheits- und Sicherheitsbestimmungen.

## Lagerung, Vorsichtsmaßnahmen

---

### **▲ WARNUNG** Hydraulikhammer und Werkzeug sind schwer

- ▶ Lagern Sie den Hydraulikhammer und das Werkzeug so, dass ein Herabfallen oder -rollen ausgeschlossen ist.

## Wartung, Vorsichtsmaßnahmen

---

### **▲ WARNUNG** Unbeabsichtigter Start

Ein unbeabsichtigtes Starten des Hydraulikhammers kann zu schweren Verletzungen führen.

- ▶ Beachten Sie die Bedienungsanweisungen des Trägergeräts, um ein unbeabsichtigtes Starten des Hydraulikhammers zu vermeiden.
- ▶ Die Installation einer Startvorrichtung am Hydraulikhammer muss so erfolgen, dass jegliches unbeabsichtigtes Starten ausgeschlossen ist.
- ▶ Ein Fußpedal am Trägergerät muss mit einer Schutzabdeckung versehen sein.

### **▲ WARNUNG** Unter hohem Druck stehendes Hydrauliköl

Wartungsarbeiten an einem unter Druck stehenden Hydraulikhammer können zu schweren Verletzungen führen. Verbindungen können sich plötzlich lösen, Teile sich plötzlich bewegen und Hydrauliköl kann in scharfem Strahl austreten.

- ▶ Machen Sie das Hydrauliksystem zunächst drucklos, bevor Sie Wartungsarbeiten am Hydraulikhammer oder am Trägergerät vornehmen.

### **▲ WARNUNG** Änderungen an der Maschine

Änderungen an der Maschine können zu schweren Unfällen führen.

- ▶ Nehmen Sie niemals Änderungen an der Maschine vor.
- ▶ Verwenden Sie stets Originalteile und Originalzubehör von Atlas Copco.

### **▲ ACHTUNG** Heißes Werkzeug

Die Spitze des Werkzeugs wird während des Betriebs sehr heiß. Das Berühren der Spitze kann zu Verbrennungen führen.

- ▶ Berühren Sie niemals ein heißes Werkzeug.
- ▶ Warten Sie mit eventuellen Wartungsarbeiten bis sich das Werkzeug abgekühlt hat.

## Übersicht

Lesen Sie bitte vor dem Betrieb der Maschine die Sicherheitshinweise auf den vorangegangenen Seiten dieses Handbuchs, um Unfallrisiken, die mit ernsthaften Verletzungen oder Lebensgefahr verbunden sein können, zu vermeiden.

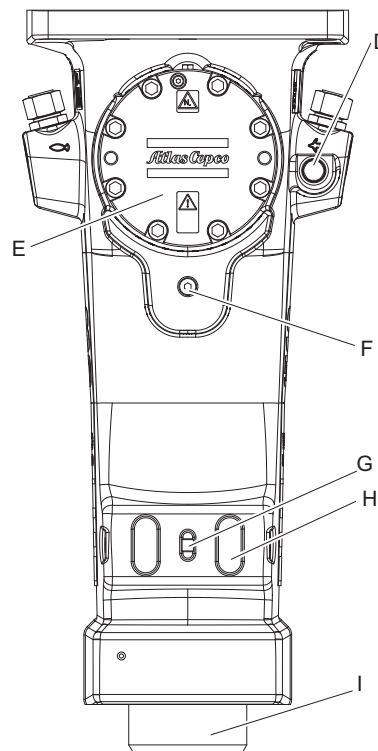
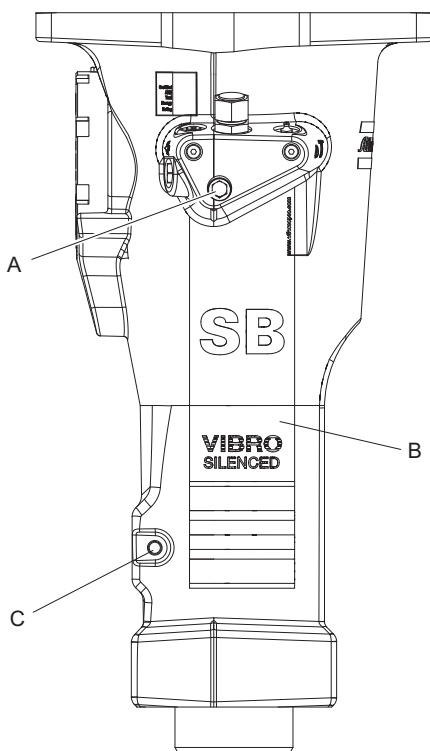
## Konstruktion und Funktion

SB ist eine Reihe von Hydraulikhämmern für Trägergeräte und für alle Arten von Abbrucharbeiten.

SB steht für Solid Body und bedeutet, dass das Gehäuse des Hydraulikhammers aus einem Stück gefertigt ist. Der Drucksammler ist in das Gehäuse integriert.

Der Hydraulikhammer wird von der Kabine des Trägergeräts aus über dessen Hydrauliksystem gesteuert. Die Hammerfrequenz wird durch den Ölfluss des Trägergeräts gesteuert.

## Hauptkomponenten



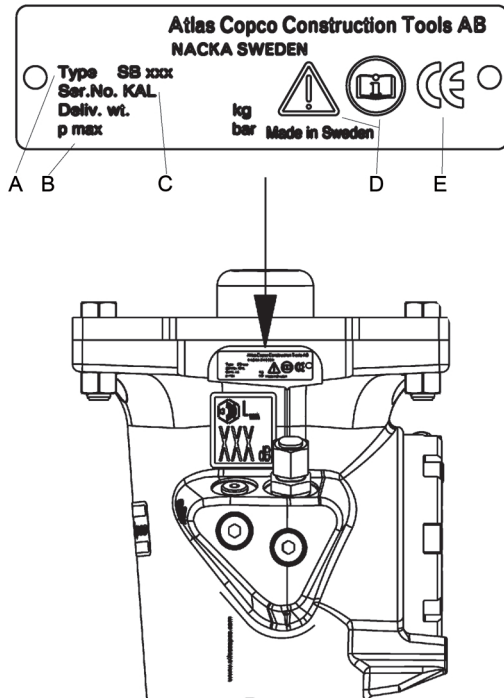
- A. Drossel
- B. Gehäuse
- C. Sperrstift
- D. Druckablassventil
- E. Druckspeicher
- F. Ölablassöffnung
- G. Sicherungsstopfen
- H. Werkzeugaufnahme
- I. Buchse

## Schilder und Aufkleber

An der Maschine sind Schilder und Aufkleber mit wichtigen Informationen zu Sicherheit und Wartung angebracht. Die Schilder und Aufkleber müssen immer gut lesbar sein. Neue Schilder und Aufkleber können anhand der Ersatzteilliste nachbestellt werden.

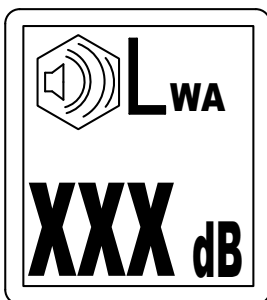


## Typenschild



- A. Maschinentyp
- B. Max. Hydraulikdruck
- C. Seriennummer
- D. Das Warnsymbol und das Buchsymbol weisen darauf hin, dass Sie vor dem ersten Einsatz der Maschine die Sicherheitshinweise und die Betriebsanleitung lesen müssen.
- E. Das CE-Zeichen zeigt an, dass die Maschine CE-geprüft ist. Weitere Informationen dazu finden Sie in der beigegeführten CE-Konformitätserklärung.

## Geräuschpegelzeichen



Der Aufkleber gibt den garantierten Geräuschpegel entsprechend der EC-Richtlinie 2000/14/EC an. Den korrekten Geräuschpegelwert finden Sie unter „Technische Daten“.

## Schilder am Drucksammler



Lesen Sie vor Wartung oder Reparaturen die Wartungs- bzw. Reparaturanweisungen genau durch.



Der Drucksammler darf nur mit Stickstoff befüllt werden.

*HINWEIS!* Arbeiten am Drucksammler dürfen nur von qualifiziertem Fachpersonal ausgeführt werden.

## Transport

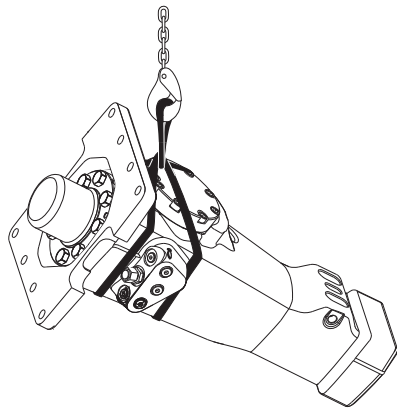
### Anheben des Hydraulikhammers

**▲ WARNUNG** Ein herabfallender oder umkippende Hydraulikhammer kann Verletzungen verursachen

- Legen Sie den Hydraulikhammer in einer sicheren Position ab, in der er nicht umkippen und Schaden anrichten kann.

Prüfen Sie vor Transport-, Wartungs- oder anderen Arbeiten am Hydraulikhammer sorgfältig, ob das Trägergerät stabil genug steht.

Der Hydraulikhammer wird in einer Kiste geliefert. Um den Hydraulikhammer sicher anzuheben, bringen Sie die Trageriemen wie im Bild unten gezeigt an.



## Installation

Lesen Sie vor Installation des Hydraulikhammers am Trägergerät oder vor dessen Inbetriebnahme das vom Hersteller des Trägergeräts mitgelieferte Betriebshandbuch und die Sicherheitshinweise. Befolgen Sie alle Anweisungen.

Das Trägergerät muss für den Betrieb des Hydraulikhammers über das passende Hydrauliksystem verfügen.

Wenn das Trägergerät für den Hydraulikhammer zu schwer ist, kann dies zum Brechen von Werkzeugen und zu erhöhter Abnutzung führen. Siehe unter „Technische Daten“ zur Wahl des passenden Trägergeräts.

Die Sicherheitsausrüstung des Hydrauliksystems muss vor der Anwendung von einem professionellen/autorisierten Prüfer auf Qualität (EC-Kennzeichen usw.), Eignung und Funktionalität geprüft werden.

## Schläuche und Anschlüsse

### ⚠ WARNUNG Ausschlagender Hydraulikschlauch

Unter Druck stehende Hydraulikschläuche schlagen unkontrolliert umher, wenn sich Verschraubungen lösen oder gelöst werden. Ein umher schlagender Hydraulikschlauch kann schwere Verletzungen verursachen.

- ▶ Machen Sie das Hydrauliksystem drucklos, bevor Sie den Anschluss an einem Hydraulikschlauch lösen.
- ▶ Ziehen Sie die Muttern an den Anschlüssen der Hydraulikschläuche mit dem erforderlichen Anzugsdrehmoment an.

Nippeltyp: Atlas Copco-ORFS-Standardnippel. Die Nippelgrößen sind in der Ersatzteilliste enthalten.

Für die Verbindung des Hydraulikhammers mit dem Trägergerät sollten Hydraulikschläuche der Qualität „2SC“ (nach EN 857) oder besser verwendet werden. Wenn Schnellkupplungen verwendet werden, empfehlen wir die Schnellkupplung „Flat Face“. Dieser Typ ist robust und leicht zu säubern. Der Druckbelastbarkeit der Schnellkupplung muss über dem Arbeitsdruck des Trägergeräts liegen.

Säubern Sie vor jeder Montage oder Demontage die Schnellkupplungen. Verschließen Sie bei jeder Demontage Schläuche und Schlauchnippel mit sauberen und dichten Stöpseln.

### Schlauchverbindungen Rechts (Vom Bediener aus gesehen)

	Spülluft	Zentrale Schmierung	Tank, Rückleitung
Symbol			
SB 52	G 1/4"	G 1/4"	G 3/8"
SB 102	G 1/4"	G 1/4"	G 1/2"
SB 152	G 1/4"	G 1/4"	G 1/2"
SB 202	G 1/4"	G 1/4"	G 1/2"
SB 302	G 1/4"	G 1/4"	G 3/4"
SB 452	G 1/4"	G 1/4"	G 3/4"
SB 552	G 1/4"	G 1/4"	G 1"

### Schlauchverbindungen Links (Vom Bediener aus gesehen)

	Wasser	Druck für Hydraulikhammer	Druck für ContiLube®II
Symbol			
SB 52	-	G 3/8"	G 1/4"
SB 102	-	G 1/2"	G 1/4"
SB 152	G 1/4"	G 1/2"	G 1/4"
SB 202	G 1/4"	G 1/2"	G 1/4"
SB 302	G 1/4"	G 3/4"	G 1/4"
SB 452	G 1/4"	G 3/4"	G 1/4"
SB 552	G 1/4"	G 1"	G 1/4"

### Anzugsdrehmoment für Druck- und den Rücklaufschlauch

SB 52	60 Nm
SB 102	150 Nm
SB 152	150 Nm
SB 202	150 Nm
SB 302	210 Nm
SB 452	210 Nm
SB 552	300 Nm

## Das Hydrauliköl

Normalerweise wird das Hydrauliköl für das Trägergerät auch für den Hydraulikhammer verwendet.

Wenn ein Hydraulikhammer angeschlossen ist, wird das Hydrauliköl schneller schmutzig. Befolgen Sie zum Wechseln von Öl und Ölfilter die Bedienungsanweisungen des Trägergeräts. Der Ölfilter wird normalerweise häufiger gewechselt, wenn ein Hydraulikhammer installiert ist.

SB-Hydraulikhämmer sind mit einem Ölablassverschluss zum Ablassen des Öls vor der Demontage versehen. So sollen Risiken durch austretendes Öl vermieden werden.

**HINWEIS!** Der SB-Hydraulikhammer wird mit etwas mineralischem Hydrauliköl ausgeliefert. Prüfen Sie vor dem Anschluss an das Hydrauliksystem des Trägergeräts, welcher Typ Hydrauliköl im Trägergerät verwendet wird. Das Mischen unterschiedlicher Typen von Hydrauliköl kann die Schmierwirkung einschränken und zu Maschinenschäden führen.

## Montage

### ▲ **WARNUNG** Ein herabfallender oder umkippernder Hydraulikhammer kann Verletzungen verursachen

- ▶ Legen Sie den Hydraulikhammer in einer sicheren Position ab, in der er nicht umkippen und Schaden anrichten kann.

Lassen Sie das Hydrauliköl vor dem Anschließen des Hydraulikhammers zirkulieren. Damit wird sichergestellt, dass das Hydrauliköl sauber ist. Gehen Sie beim Wechseln des Hydraulikölschlauchs genauso vor. Weitere Informationen finden Sie unter „Das Hydrauliköl“.

1. Verbinden Sie den Druck- und den Rücklaufschlauch.

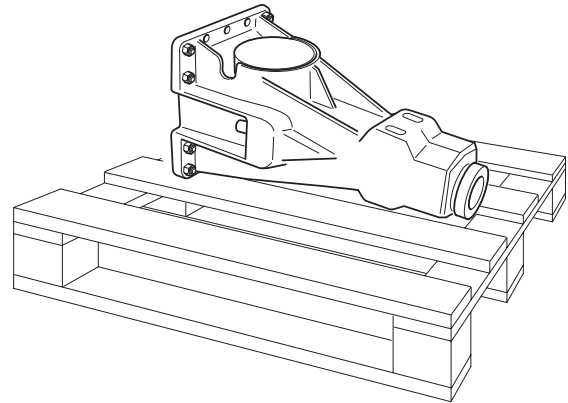


2. Lassen Sie das Hydrauliköl für ungefähr drei Minuten durch den Filter des Trägergeräts laufen, um sicherzustellen, dass die Schläuche sauber sind.

### Vorbereitung

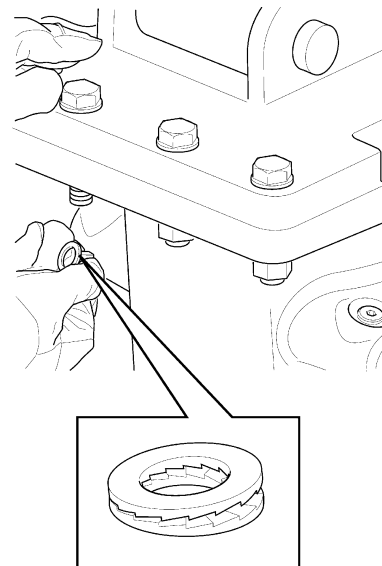
1. Legen Sie den Hydraulikhammer so ab, dass die Montage der Adapterplatte sicher und unkompliziert erfolgen kann.

**HINWEIS!** Montieren Sie den Hydraulikhammer so, dass der Drucksammler zur Bedienerkabine zeigt, um Schäden am Drucksammler zu vermeiden.



### Montage der Adapterplatte

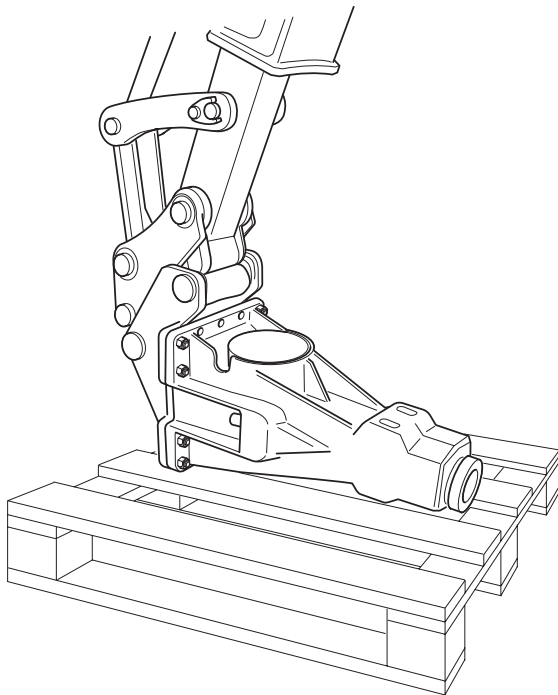
2. Wenn die Tough-Lock-Schraube von Atlas Copco nicht zur Verfügung steht, empfehlen wir für Bolzen und Schraube NORD LOCK™-Unterlegscheiben zur verwenden (NORD-LOCK™ ist ein eingetragenes Warenzeichen der Nord-Lock AB in den Vereinigten Staaten und/oder anderen Ländern.).



Adapterplatte	Anziehdrehmoment
SB 52	290 Nm
SB 102	200 Nm
SB 152	200 Nm
SB 202	200 Nm
SB 302	170 Nm
SB 452	400 Nm
SB 552	400 Nm

### Verbinden des Hydraulikhammers mit dem Trägergerät

- Legen Sie den Hydraulikhammer während der Installation sicher ab.



Wenn der Drucksammler nach vorne zeigt, befindet sich der Druckanschluss des Hydraulikhammers auf der linken Seite. Wenn sich der Druckschlauch auf der anderen Seite des Auslegers befindet, können Sie die Schläuche kreuzen oder den Hydraulikhammer drehen.

- Senken Sie den Ausleger vorsichtig in Richtung Adapter ab.

#### ▲ **WARNUNG** Bewegliche Teile können Verletzungen verursachen

- Prüfen Sie Bohrungen niemals mit der Hand oder den Fingern.

Die Bewegung des Auslegers sollte durch einen Helfer geführt werden, bis sich die Bohrungen des Auslegers mit denen des Adapters decken.

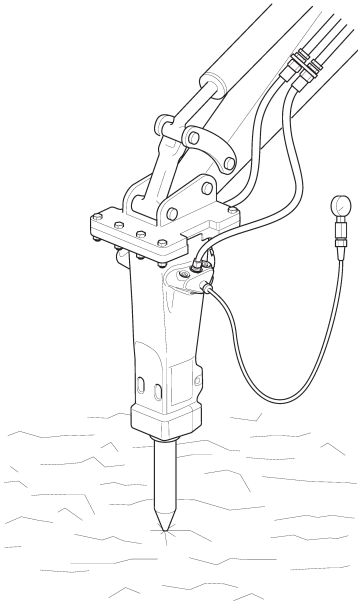
Einigen Sie sich bei der Montage mit dem Helfer auf eindeutige Handsignale.

- Setzen Sie den Bolzen und das Schloss ein.
- Heben Sie den Hydraulikhammer mit dem Ausleger an.
- Fahren Sie den Schaufelzylinder soweit aus, bis die Bohrung im Kniehebel sich mit der im Adapter deckt. Setzen Sie den Kniehebelstift und die Sicherung ein.
- Fahren Sie den Schaufelzylinder nach der Montage des Hydraulikhammers vorsichtig in beide Richtungen voll aus und ein. Der Zylinder muss sich ohne Schwierigkeiten voll ausfahren und einziehen können.

## Druckeinstellung

SB-Hydraulikhämmer sind mit einem Überdruckventil ausgerüstet, das den Hydraulikhammer absichert. Der Betriebsdruck des Hydraulikhammers (max. 150 Bar) wird während des Betriebs des Hydraulikhammers mit einem Druckmesser geprüft und eingestellt.

- Wenn der Betriebsdruck über 150 Bar liegt, muss der Druck verringert werden. Reduzieren Sie den Ölfluss des Trägergeräts bis der Druck auf 150 Bar abgesenkt ist. Mit dieser Anpassung wird sichergestellt, dass das Überdruckventil des Hydraulikhammers nicht anspricht, wobei Öl zurück in den Tank laufen und Hitzprobleme entstehen würden.
- Wenn der Betriebsdruck zwischen 130 und 150 Bar liegt, muss der Druck normalerweise nicht angepasst werden.
- Wenn der Ölfluss des Trägergeräts zu gering ist, um den nötigen Betriebsdruck aufrecht zu erhalten, muss die Drossel im Hydraulikhammer ausgetauscht werden. Siehe die Flussdiagramme unter „Technische Daten“ zur Auswahl einer geeigneten Drossel für die jeweilige Anwendung.



Positionieren Sie den Hydraulikhammer senkrecht auf festem Untergrund, um den Druck mit einem Druckmesser einzustellen.

## Wasserspülung

Der Hydraulikhammer ist für Wasserspülung vorbereitet. Diese Funktion dient zum Binden des bei Abbrucharbeiten entstehenden Staubs.

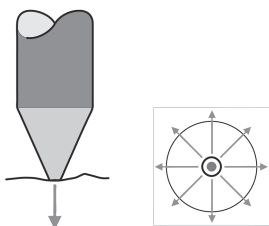
Bei Anschluss der Wasserspülung muss der Stößel vorne am Hydraulikhammer durch eine Wasserdüse ersetzt werden. Siehe die Ersatzteilliste zur Bestellung einer neuen Wasserdüse.

Verwenden Sie als geeigneten Wasserschlauch einen 1/4" Hydraulikschlauch mit JIC-Anschluss. Der Wasserverbrauch bei 4 Bar liegt bei 6,6 l/min. Für weitere Anweisungen wenden Sie sich an Ihre nächste Vertragswerkstatt.

## Werkzeug

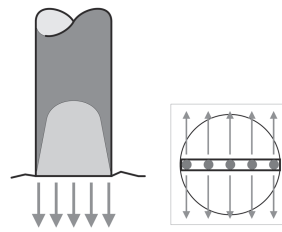
### Auswählen des richtigen Einsteckwerkzeugs

#### Konischer Spitzmeißel



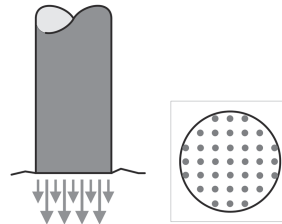
- Sehr gutes Eindringen
- Gleichmäßige Verteilung der Spaltwirkung
- Kein Torsionseffekt

#### Meißel und Spaten



- Sehr gute Verteilung der Spaltwirkung
- Sehr gutes Eindringen
- Torsionseffekt

#### Stumpfmeißel



- Sehr gute Energieübertragung
- Optimale Aufbrechwirkung
- Kein Torsionseffekt

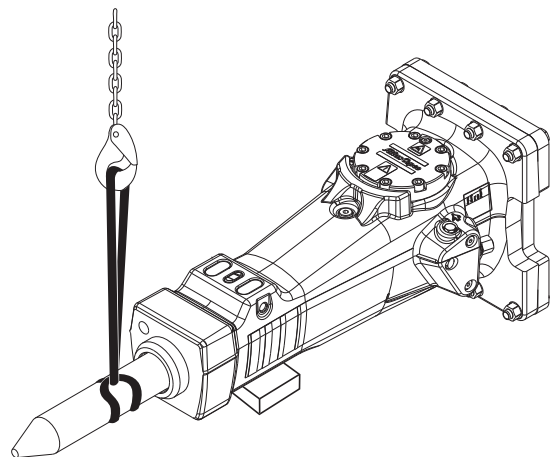
### Montage und Demontage des Einsteckwerkzeugs

#### ⚠️ WARNUNG Laufender Motor

Ein Wechsel des Einsteckwerkzeugs bei laufendem Motor des Trägergeräts kann zu ernsthaften Verletzungen führen.

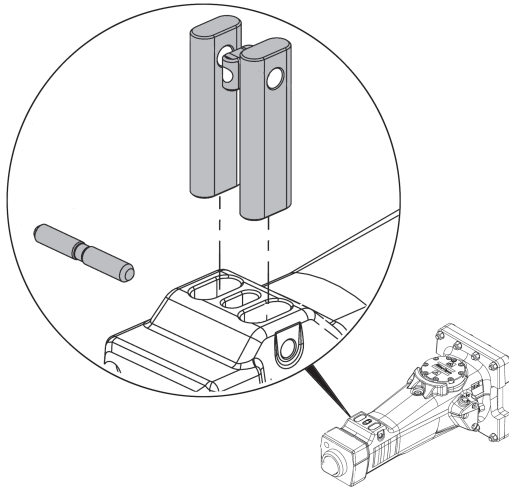
► Sichern Sie das Trägergerät gegen unbeabsichtigtes Starten.

1. Stellen Sie vor dem Wechseln des Einsteckwerkzeugs den Motor des Trägergeräts aus.
2. Verwenden Sie beim Montieren (und Demontieren) des Einsteckwerkzeugs einen Trageriemen, um das Unfallrisiko (für Brüche, Quetschungen) zu vermindern.



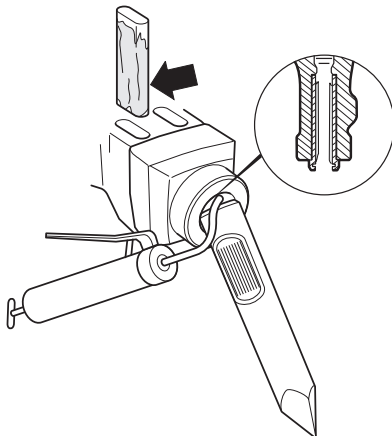
Einige Einsteckwerkzeuge sind sehr schwer. Achten Sie daher auf ein sicheres Heben des Werkzeugs.

3. Stellen Sie sicher, dass der Sicherungsstopfen nicht verschlissen oder beschädigt ist.



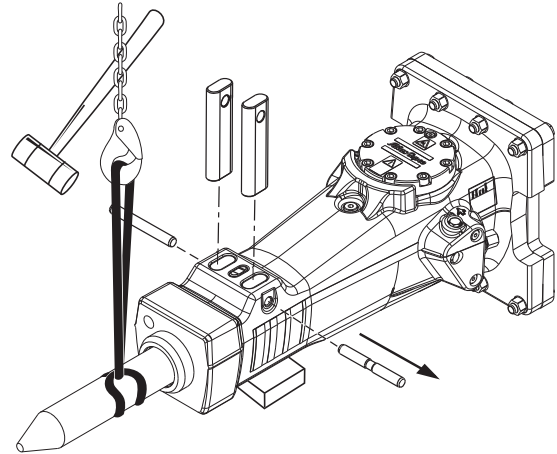
Der Sicherungsstopfen in den Halteriegeln ist aus Kunststoff und kann bei Betrieb in heißer Umgebung schmelzen. Wenn dies geschieht, wechseln Sie den Standard-Sicherungsstift. Einen optionalen Federstift finden Sie in der Ersatzteilliste.

4. Reinigen und schmieren Sie die Verschleißbuchse ausgiebig. Dies ist besonders wichtig bei der Montage eines neuen Einsteckwerkzeugs.



5. Setzen Sie das Einsteckwerkzeug ein.
6. Drehen Sie das Einsteckwerkzeug, um das Fett zu verteilen.
7. Setzen Sie nacheinander die Halteriegel ein.

8. Drücken Sie den Sicherungsstift hinein, bis der Sicherungsstopfen in der Kerbe des Sicherungsstiftes einrastet.



Das Einsteckwerkzeug wird in der umgekehrten Reihenfolge der Montageanweisung demontiert.

## Betrieb

**HINWEIS!** Hydraulikhammer und Werkzeug dürfen nicht als Hebevorrichtung verwendet werden. Zum Anheben von schweren Teilen verwenden Sie den Greifarm des Trägergeräts.

## Vorbereitungen vor der Inbetriebnahme

### Betriebstemperaturen

Die Betriebstemperatur des Hydraulikhammers liegt zwischen  $-20\text{ °C}$  und  $+80\text{ °C}$ .

#### ▲ ACHTUNG Gefahren durch extreme Temperaturen

Der Hydraulikhammer und das Hydraulikölssystem des Trägergeräts können beschädigt werden, wenn der Hydraulikhammer höheren oder niedrigeren Temperaturen verwendet wird.

- ▶ Starten Sie den Hydraulikhammer erst, wenn das Hydrauliköl die richtige Betriebstemperatur erreicht hat.
- ▶ Wenn die Außentemperatur unter  $-20\text{ °C}$  liegt, müssen der Hydraulikhammer und das Werkzeug vor der Inbetriebnahme aufgewärmt werden.
- ▶ Wenn die Öltemperatur über  $+80\text{ °C}$  ansteigt, darf der Hydraulikhammer nicht mehr verwendet werden, da dann die Ölqualität so weit nachlässt, dass die Lebensdauer von Dichtungen und O-Ringen stark verkürzt wird.



## Motordrehzahl

Eine zu hohe Motordrehzahl führt nur zu erhöhtem Treibstoffverbrauch und erhöht die Öltemperatur. Passen Sie die Motordrehzahl entsprechend des empfohlenen Wertes an, um den korrekten Betriebsölfluss zu erhalten.

## Betrieb

---

### Aufbrechen

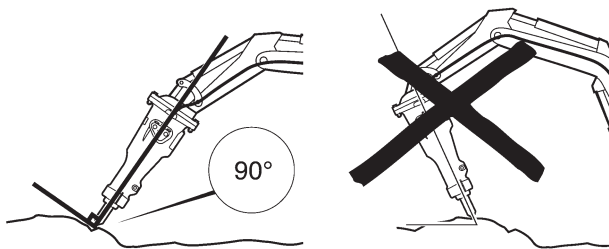
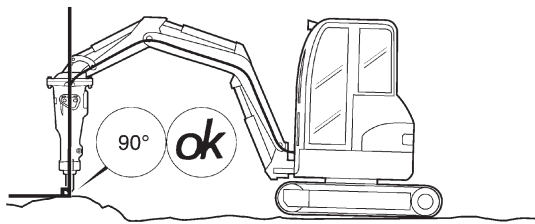
#### **▲ ACHTUNG Gefahren durch Maschine und Werkzeug**

Längerer Betrieb im voll ausgefahrenen/eingezogenen Zustand kann zu einer Beschädigung der Hydraulikzylinder führen.

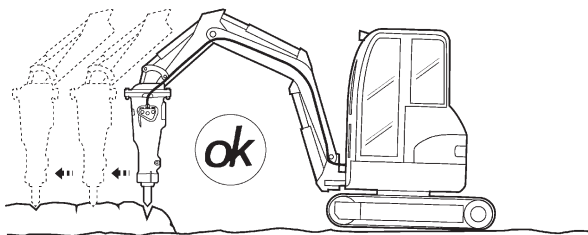
- ▶ Vermeiden Sie den Betrieb des Hydraulikhammers mit voll ausgefahrenen oder eingezogenen Zylindern.
- ▶ Positionieren Sie das Trägergerät und/oder den Ausleger neu, um voll ausgefahrene bzw. eingezogene Zylinder zu vermeiden.
- ▶ Achten Sie während des Betriebs auf ungewöhnliche Vorgänge.

Starten Sie den Hydraulikhammer immer erst, wenn sich sowohl das Trägergerät als auch der Hydraulikhammer in der richtigen Position befinden.

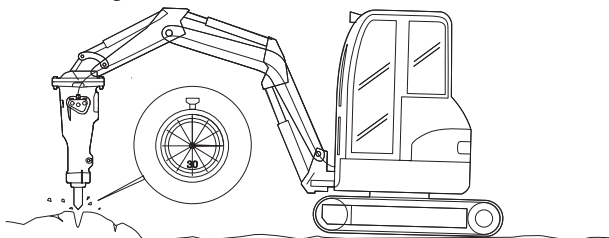
- ◆ Positionieren Sie den Hydraulikhammer in eine Position von 90° zum Arbeitsobjekt.



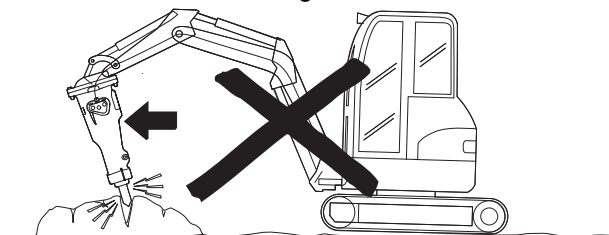
- ◆ Beginnen Sie nahe der Kante, und arbeiten Sie sich zur Mitte vor. Beginnen Sie bei großen Objekten niemals in der Mitte.



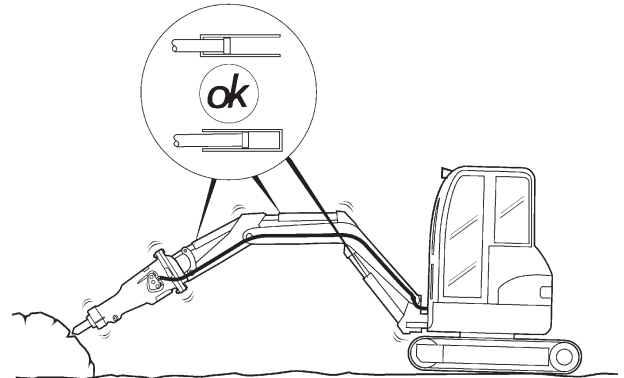
- ◆ Bearbeiten Sie mit dem Hydraulikhammer ein und denselben Punkt niemals länger 15 Sekunden. Wenn das Objekt nicht aufbricht, setzen Sie das Werkzeug an einer anderen Stelle neu an.



- ◆ Nutzen Sie das Werkzeug niemals als Hebel.



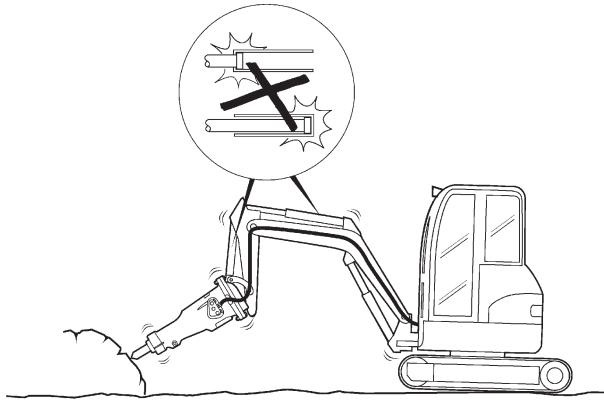
- ◆ Verwenden Sie den richtigen Vorschubdruck. Wenn der Vorschubdruck korrekt ist, arbeitet der Hydraulikhammer optimal, und die Vibrationen werden so klein wie möglich gehalten. Dadurch wird auch die Abnutzung von Verschleißbuchse und Werkzeug so klein wie möglich gehalten.



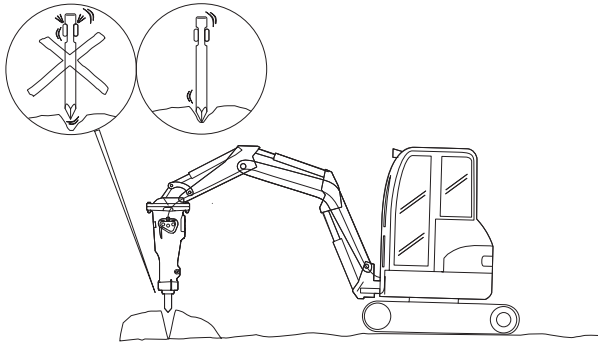
- ◆ Achten Sie auf das Geräusch des Hydraulikhammers – es ändert sich, wenn zwischen Werkzeug und Hülse Spannungen auftreten.



- ◆ Betreiben Sie den Hydraulikhammer bei niemals mit in Endposition befindlichen Auslegerzylindern. Dies kann zur Beschädigung des Trägergeräts führen.

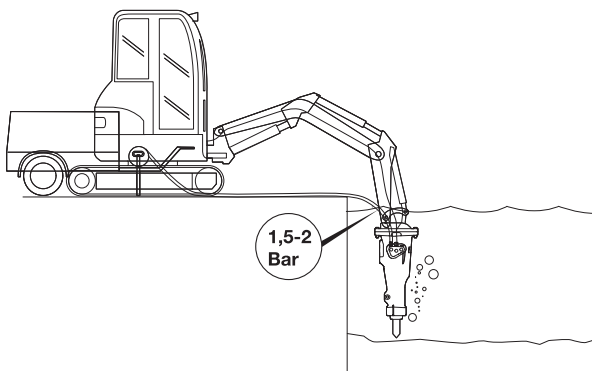


- ◆ Vermeiden Sie Leerlaufschläge. Andernfalls nutzen sich Werkzeug und Werkzeugaufnahme unnötig ab.



### Betrieb unter Wasser

Hydraulikhammer sind für den Betrieb unter Wasser ausgelegt.



Beim Betrieb unter Wasser muss der Hydraulikhammer mit Druckluft versorgt werden, um den Bereich zwischen Kolben und Werkzeug von Wasser frei zu halten. Wenn in den Bereich zwischen Kolben und Werkzeug Wasser gelangt, kann das Wasser beim Starten des Hydraulikhammers in das Hydrauliksystem eindringen.

Der Luftdruck sollte am Luftanschluss 1,5–2 Bar betragen. Angaben zum Luftdurchsatz finden Sie unter „Technische Daten“. Als Druckluftschlauch kann ein 1/4" Hydraulikschlauch mit JIC-Anschluss verwendet werden. Für weitere Anweisungen wenden Sie sich an Ihre nächste Vertragswerkstatt.

## Wartung

Es ist wichtig, eine regelmäßige Wartung auszuführen, um die maximale Betriebseffizienz des Hydraulikhammers zu gewährleisten.

Unzureichend gewartete Ausrüstung kann sowohl für den Bediener als auch für andere Personen in der Nähe des Hydraulikhammers gefährlich werden. Stellen Sie sicher, dass die regelmäßigen Wartungs- und Schmierprotokolle eingehalten werden, damit die Ausrüstung sicher und effizient bleibt.

## Alle zwei Stunden

Schmieren Sie das Werkzeug, die Werkzeugaufnahmen und die Hülsen regelmäßig mit Meißelpaste von Atlas Copco Tool.

### Schmieren mit der Fettpresse

**▲ WARNUNG** Das Werkzeug ist während des Betrieb und eine Zeit lang danach sehr heiß.

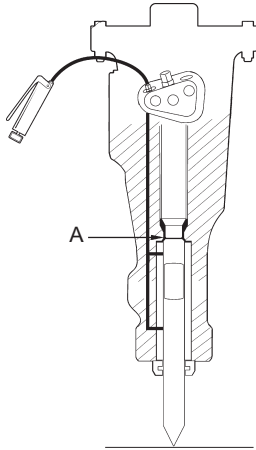
- Vermeiden Sie den Kontakt mit dem Werkzeug.

**▲ ACHTUNG Hautirritationen**

Schmierfett kann bei Hautkontakt Entzündungen der Haut verursachen.

► Vermeiden Sie den Hautkontakt mit Schmierfett.

1. Drücken Sie das Werkzeug ganz in den Hydraulikhammer bis zum Anschlag (A) ein. Andernfalls wird der Bereich zwischen Werkzeug und Hydraulikhammer mit Schmiermittel gefüllt.



2. Schmieren Sie den Werkzeugschaft reichlich bei allen nach oben gerichteten Arbeiten. Die Hülse und das Werkzeug müssen ausreichend oft geschmiert werden, so dass keine Verunreinigungen in den Hydraulikhammer eindringen können.

Standardschmiermittel schmilzt bei den hohen Drücken und Temperaturen, denen der Werkzeugschaft ausgesetzt ist, und fließt ab. Verwenden Sie, um dies zu vermeiden, stets Meißelpaste von Atlas Copco.

**Zentrales Schmiermedium**

Wir empfehlen das zentrale Schmiermedium von Atlas Copco. Wenn dieses System am Trägergerät installiert ist, wird Fett bei laufendem Hydraulikhammer durchgehend Fett von einem Schmiermittelbehälter am Trägergerät zum Hydraulikhammer gepumpt. Dies verlängert die Lebensdauer der Hülsen und der Werkzeuge erheblich.

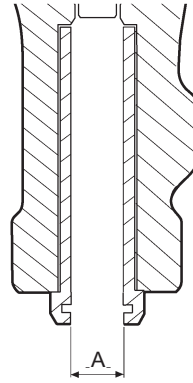
**Täglich**

1. Prüfen Sie Halteriegel und den Sicherungsstift.
2. Prüfen Sie, ob Kupplungen und Hochdruckspeicher in einem guten Zustand sind.
3. Stellen Sie sicher, dass Bolzen und Verbindungen nicht beschädigt und fest angezogen sind. Siehe Anziehdrehmomente in der Ersatzteilliste.

4. Füllen Sie das zentrale Schmiermedium nach.

**Wöchentlich**

1. Reinigen Sie den Hydraulikhammer gründlich.
2. Prüfen Sie die Abnutzung der Werkzeughülse und die inneren Verschleißgrenzen (B).



Die Werkzeughülse muss ersetzt werden, wenn der Innendurchmesser (A) seine Verschleißgrenze erreicht hat, siehe „Verschleißgrenzen“ und „Ersetzen der Werkzeughülse“.

3. Prüfen Sie das Werkzeug auf Abnutzung (C).



Das Werkzeug muss ersetzt werden, wenn der Außendurchmesser (B) seine Verschleißgrenze erreicht hat. Siehe „Technische Daten“.

Ein zu großer Abstand kann zum Brechen des Werkzeugs und zur Beschädigung des Kolbens führen.

4. Prüfen Sie das Gehäuse des Hydraulikhammers und die Adapterplatte auf Risse und Abnutzung.
5. Stellen Sie sicher, dass die Schrauben des Drucksammlers gut festgezogen sind. Die vorgeschriebenen Anziehdrehmomente finden Sie in der Ersatzteilliste.

Das Werkzeug darf niemals durch Schmieden geschärft werden. Das Schärfen darf nur durch Fräsen, Schleifen oder Drehen erfolgen.

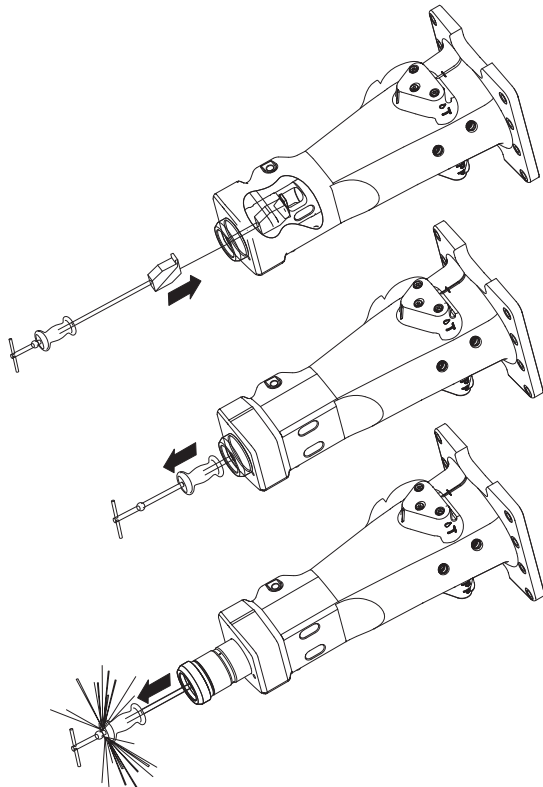
## Verschleißgrenzen

	B mm (in.)	C mm (in.)
SB 52	42 (1,6)	38 (1,5)
SB 102	47 (1,8)	43 (1,7)
SB 152	52 (2,0)	48 (1,9)
SB 202	68 (2,7)	63 (2,5)
SB 302	83 (3,3)	78 (3,1)
SB 452	98 (3,85)	92 (3,6)
SB 552	103 (4,1)	97 (3,8)

## Ersetzen der Werkzeughülse

Die Werkzeughülse wird von den Werkzeugaufnahmen gehalten. Eine neue Hülse hat eine Gleitpassung.

1. Wenn eine abgenutzte Hülse verklemmt ist, verwenden Sie einen Gleithammer, um sie zu entfernen.



2. Reinigen Sie sorgfältig die Bohrung und den Hülsensitz.
3. Montieren Sie neue O-Ringe, und schmieren und montieren Sie die Hülse.
4. Verwenden Sie zum Einsetzen der Hülse einen Kunststoffvorschlaghammer.
5. Halten Sie die Hülse mit Hilfe der Werkzeugaufnahmen in Position.
6. Montieren Sie einen neuen Ölabbstreifring.

## Jährlich

Nach einem Jahr fortlaufenden Betriebs sollte der Hydraulikhammer überholt werden. Aus Sicherheitsgründen sollte dies durch das Fachpersonal der nächstgelegenen Atlas Copco-Werkstatt oder durch eine andere Atlas Copco-Vertragswerkstatt erfolgen.

## Lagerung

**▲ WARNUNG Ein herabfallender oder umkippernder Hydraulikhammer kann Verletzungen verursachen**

- ▶ Legen Sie den Hydraulikhammer in einer sicheren Position ab, in der er nicht umkippen und Schaden anrichten kann.

Wenn der Hydraulikhammer für längere Zeit nicht benutzt wird, sollte er folgendermaßen vor Rost geschützt werden:

1. Reinigen Sie den Hydraulikhammer gründlich.
2. Demontieren Sie das Werkzeug und schmieren Sie die Vorderseite des Kolbens, der Hülse und die Arretierung der Werkzeugaufnahme.
3. Lagern Sie den Hydraulikhammer an einem trockenen Ort.

## Entsorgung

Eine verschlissene Maschine muss so entsorgt werden, dass so viel Material wie möglich wiederverwendet werden kann und die Umwelt so wenig wie möglich belastet wird.

Vor dem Entsorgen einer alten Maschine muss das gesamte Hydrauliköl abgelassen werden. Das verbleibende Hydrauliköl muss abgeschieden werden, wobei die Umwelt so wenig wie möglich belastet werden darf.

# Technische Daten

## Maschinendaten

	SB 52	SB 102	SB 152	SB 202	SB 302	SB 452	SB 552
Bestellnummer	8460 0300 10	8460 0300 30	8460 0300 40	8460 0300 50	8460 0300 60	8460 0300 70	8460 0300 80
Betriebsgewicht (kg)	55	87	140	201	310	441	521
Liefergewicht (kg)	44	68	110	154	224	321	390
Werkzeugaufnahme (mm)	40	45	50	65	80	95	100

## Kapazitäten

	SB 52	SB 102	SB 152	SB 202	SB 302	SB 452	SB 552
Geeignete min.-max. Tragfähigkeit des Trägergeräts	0.7–1.1	1.1–3.0	1.9–4.5	2.5–6.0	4.5–9	6.5–13	9–15
Ölfluss (l/min)	15–32	16–35	25–45	35–66	50–80	55–100	65–115
Schlagfrequenz (Schläge/min)	960–2160	720–2280	840–1920	840–1800	600–1380	540–1260	660–1140
Betriebsdruck (Bar)	100–150	100–150	100–150	100–150	100–150	100–150	100–150
Zulässiger Gegendruck (Bar)	25	18	25	25	26	21	18
Druck des Drucksamplers (Bar)	40	40	40	40	40	40	40
Überdruckventil (Bar)	170	170	170	170	170	180	170
Wasserdruck (Bar)	-	-	4	4	4	4	4
Wasserverbrauch (l/min)	-	-	≤5	≤5	≤9	≤9	≤9
Luftdruck (Bar)	2	2	2	2	2	2	2
Luftdurchsatz (l/min)	≤730	≤730	≤730	≤730	≤730	≤730	≤730

## Erklärung zur Geräuschemission

	SB 52	SB 102	SB 152	SB 202	SB 302	SB 452	SB 552
Schalldruck <sup>1</sup> dB(A)	89	87	86	90	91	94	98
Schalleistung <sup>2</sup> dB(A)	117	115	114	118	119	122	126

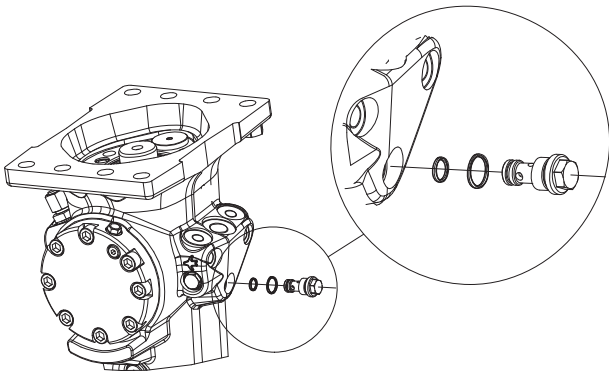
<sup>1</sup> Schalldruckpegel entsprechend EN ISO 3744 in Übereinstimmung mit der Richtlinie 2000/14/EC bei 10 Meter Abstand.

<sup>2</sup> Garantierte Schalleistung entsprechend EN ISO 3744 in Übereinstimmung mit der Richtlinie 2000/14/EC einschließlich Fertigungstoleranzen.

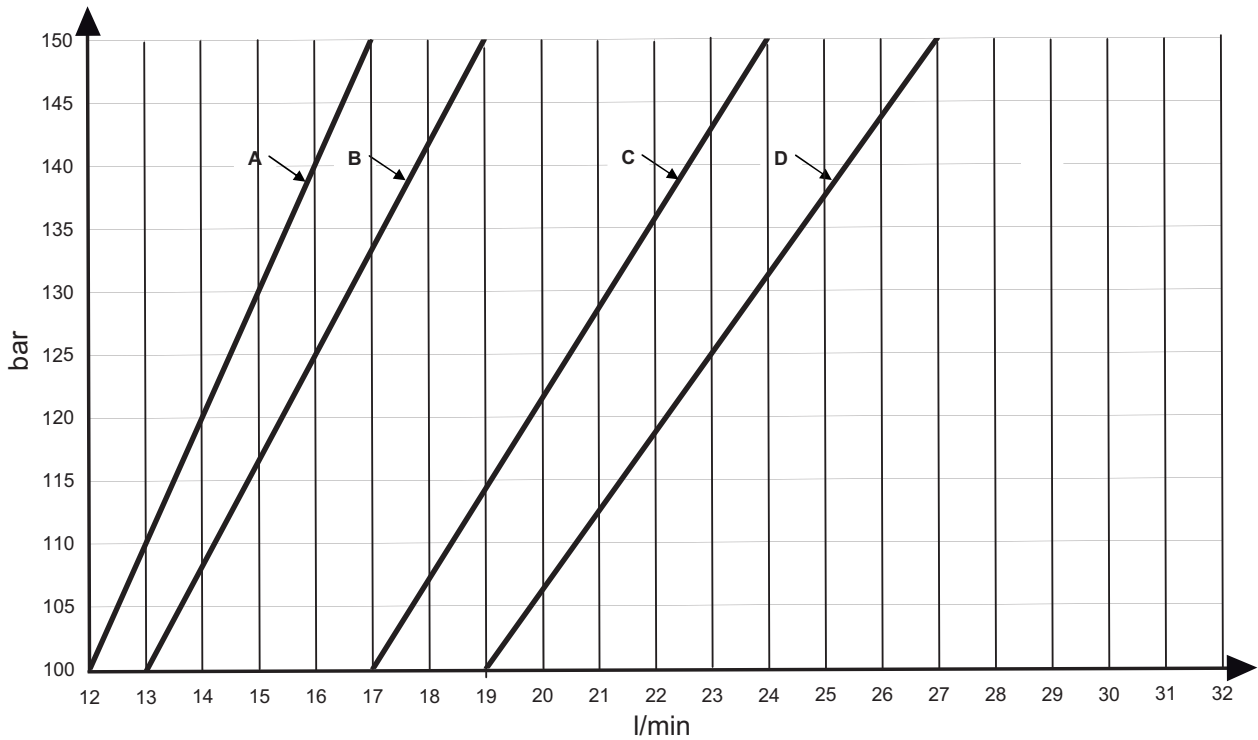
## Flussdiagramme für den richtigen Betriebsdruck

Der Ölfluss des Trägergeräts kann angepasst werden, um den richtigen Betriebsdruck zu erreichen. Drosseln können anhand der Ersatzteilliste bestellt werden.

Die Diagramme zeigen den Ölfluss bei einer Viskosität von 32 cSt.

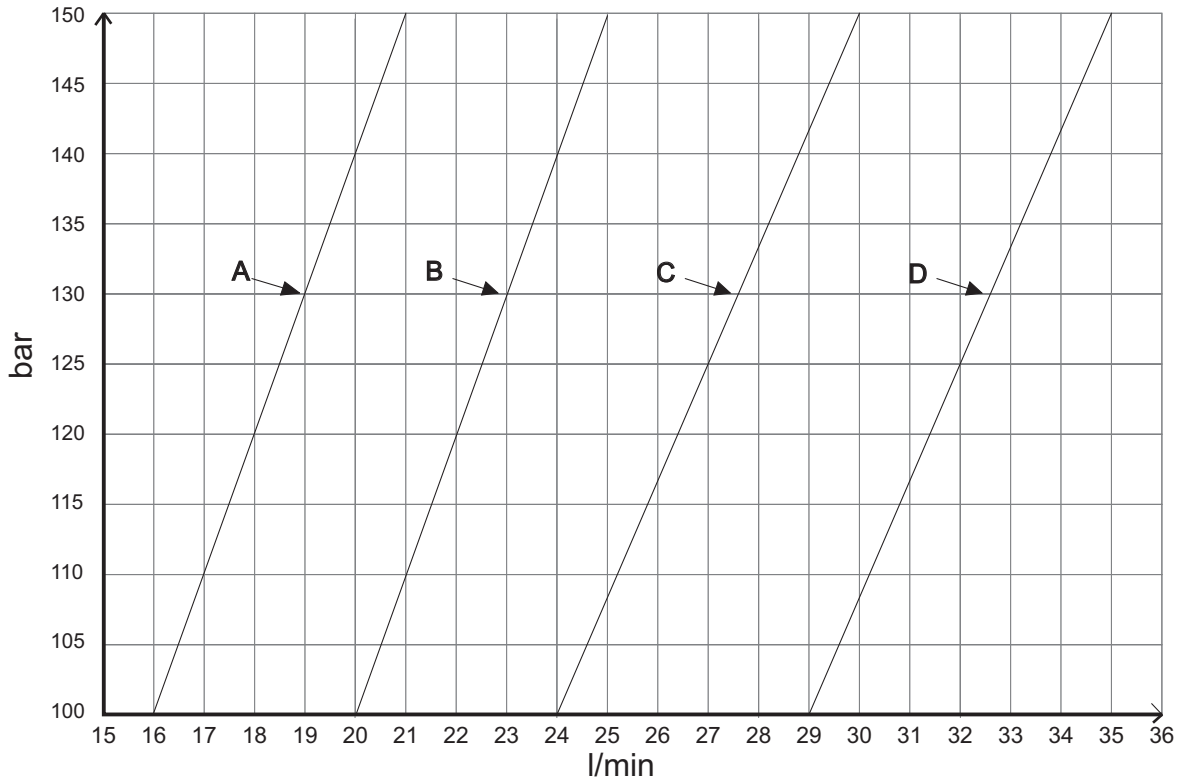


**SB 52: 100–150 Bar**



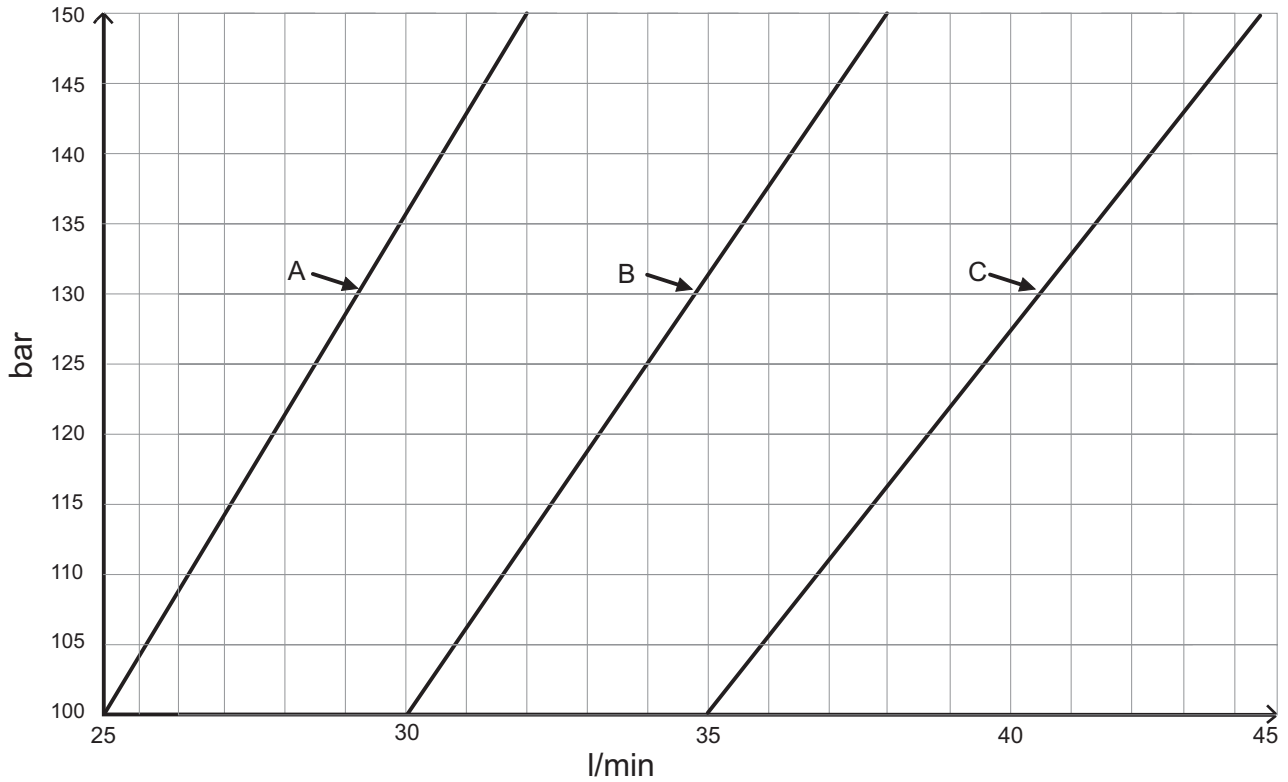
Drossel	Bestellnr.	Drossel	Bestellnr.
A	3315 2875 22	C	3315 2875 36
B	3315 2875 24	D (Standard)	3315 2875 37

**SB 102: 100–150 Bar**



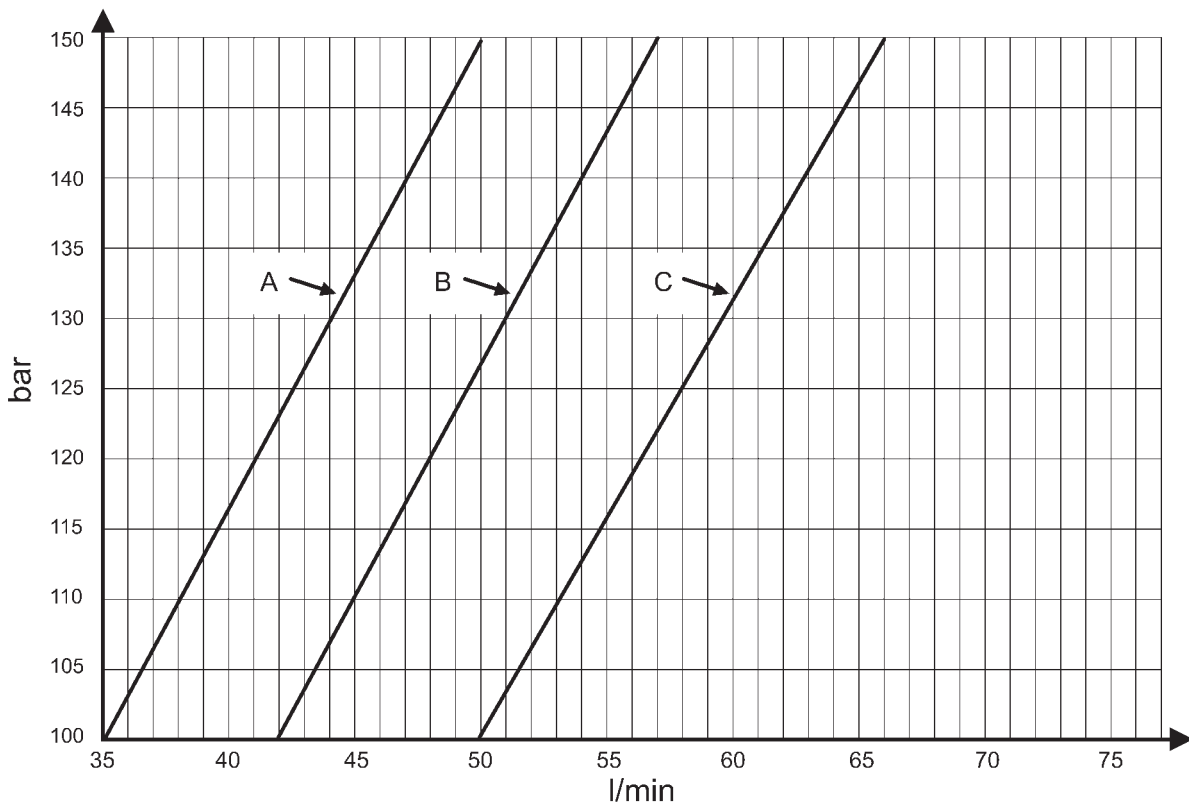
Drossel	Bestellnr.	Drossel	Bestellnr.
A	3315 2875 36	C	3315 2875 38
B	3315 2875 37	D (Standard)	3315 2875 35

**SB 152: 100–150 Bar**



Drossel	Bestellnr.	Drossel	Bestellnr.
A	3315 2875 40	C (Standard)	3315 2875 51
B	3315 2875 35		

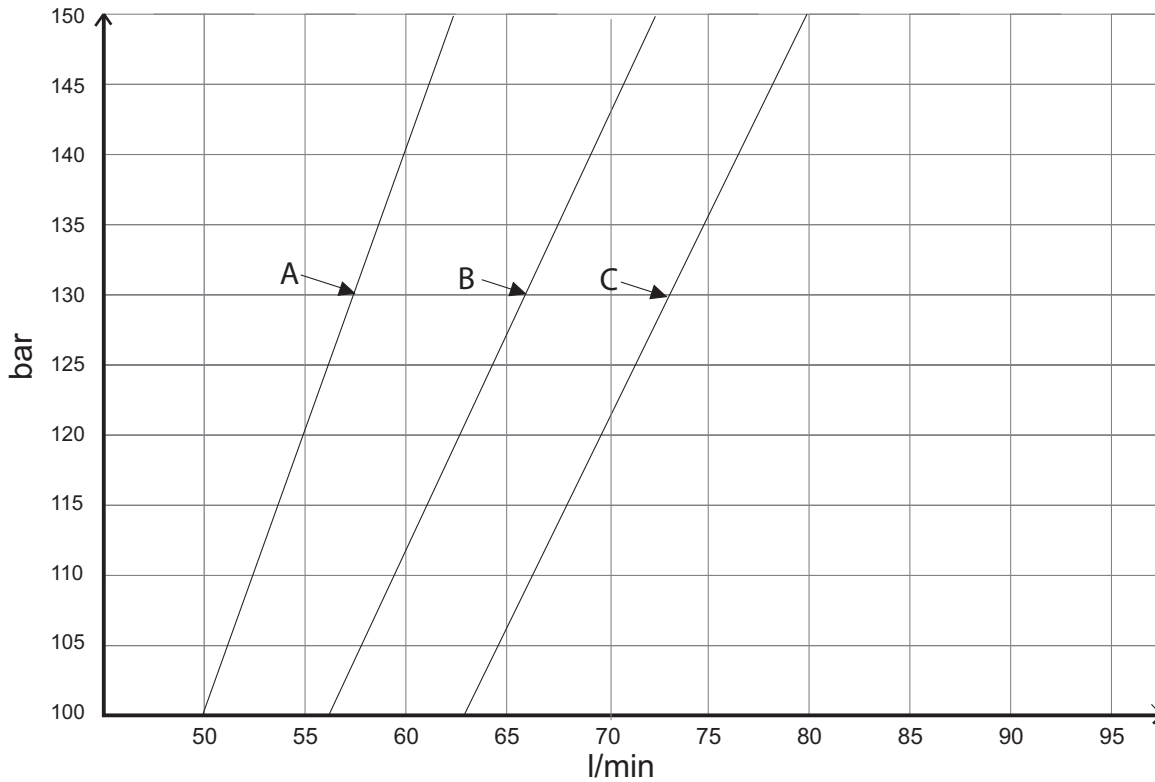
**SB 202: 100–150 Bar**



Drossel	Bestellnr.	Drossel	Bestellnr.
A	3315 2875 45	C (Standard)	3315 3040 80
B	3315 2875 55		

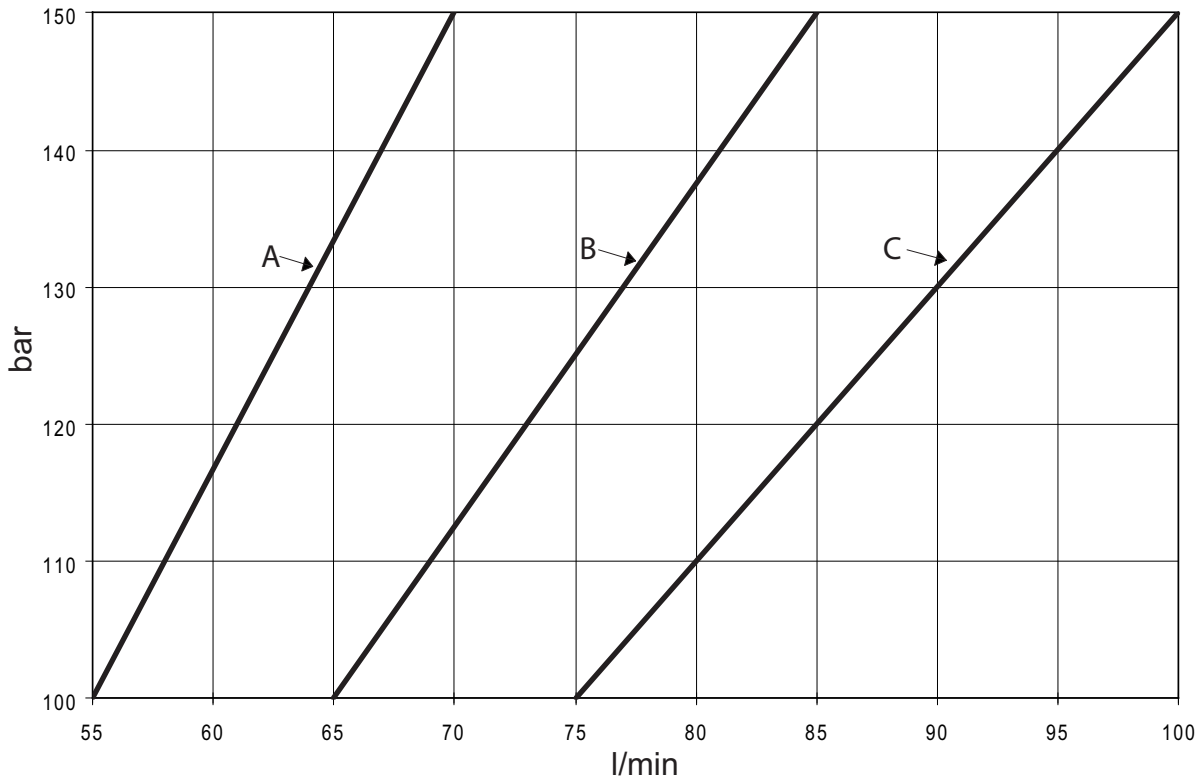


**SB 302: 100-150 Bar**



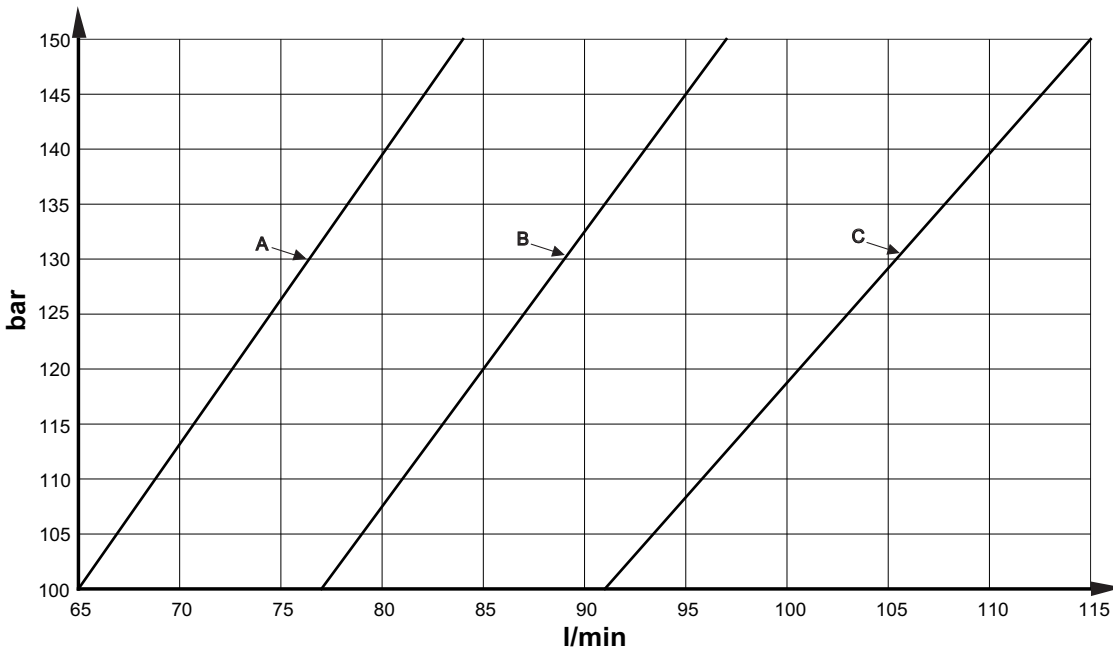
Drossel	Bestellnr.	Drossel	Bestellnr.
A	3315 3588 54	C (Standard)	3315 3588 63
B	3315 3152 35		

**SB 452: 100–150 bar**



Drossel	Bestellnr.	Drossel	Bestellnr.
A	3315 3152 35	C (Standard)	3315 3152 53
B	3315 3152 45		

**SB 552: 100–150 Bar**



Drossel	Bestellnr.	Drossel	Bestellnr.
A	3315 3152 35	C (Standard)	3315 3152 55
B	3315 3152 45		



## ESPAÑOL

**Contenido**

<b>Introducción</b> .....	87
<b>Acerca de las instrucciones de seguridad y de funcionamiento</b> .....	87
<b>Instrucciones de seguridad</b> .....	88
<b>Terminología de las señales de seguridad</b> .....	88
<b>Precauciones y cualificaciones del personal</b> .....	88
Transporte .....	88
Instalación, almacenaje, mantenimiento y desecho .....	88
Funcionamiento .....	88
Pruebas .....	88
Equipo de protección personal .....	88
Drogas, alcohol y medicación .....	89
<b>Vehículo portador, precauciones</b> .....	89
<b>Instalación, precauciones</b> .....	89
Sistema hidráulico .....	89
Montaje/desmontaje .....	89
<b>Funcionamiento, precauciones</b> .....	90
<b>Almacenaje, precauciones</b> .....	90
<b>Mantenimiento, precauciones</b> .....	90
<b>Visión general</b> .....	92
<b>Diseño y funcionamiento</b> .....	92
<b>Piezas principales</b> .....	92
<b>Símbolos y letreros</b> .....	92
Placa de datos .....	93
Símbolo de nivel de ruido .....	93
Letreros del acumulador .....	93
<b>Transporte</b> .....	93
<b>Al levantar el martillo hidráulico</b> .....	93
<b>Instalación</b> .....	94
<b>Mangueras y conexiones</b> .....	94
<b>El aceite hidráulico</b> .....	94
<b>Montaje</b> .....	95
<b>Ajuste de presión</b> .....	96
<b>Descarga de agua</b> .....	97
<b>Herramienta de inserción</b> .....	97
Selección de la herramienta de inserción adecuada .....	97
Puntero cónico .....	97
Escoplos y palas .....	97
Herramienta roma .....	97
Montaje y desmontaje de la herramienta de inserción .....	97
<b>Funcionamiento</b> .....	98
<b>Preparación antes de la rotura</b> .....	98
Temperaturas de funcionamiento .....	98
RPM del motor .....	98
<b>En funcionamiento</b> .....	98
Roturas .....	98
Rotura bajo el agua .....	100
<b>Mantenimiento</b> .....	100
<b>Cada dos horas</b> .....	100
Lubricación con pistola de engrase .....	100

Sistema de lubricación central.....	101
<b>A diario.....</b>	<b>101</b>
<b>Una vez por semana.....</b>	<b>101</b>
Límites de desgaste.....	102
Sustitución del casquillo de la herramienta de trabajo.....	102
<b>Una vez al año.....</b>	<b>102</b>
<b>Almacenaje.....</b>	<b>103</b>
<b>Desechar.....</b>	<b>103</b>
<b>Especificaciones técnicas.....</b>	<b>104</b>
<b>Datos de la máquina.....</b>	<b>104</b>
<b>Capacidades.....</b>	<b>104</b>
<b>Declaración de ruidos.....</b>	<b>104</b>
<b>Diagramas de flujo para la adecuada presión de funcionamiento.....</b>	<b>104</b>
SB 52: 100–150 bares.....	105
SB 102: 100–150 bares.....	106
SB 152: 100–150 bares.....	107
SB 202: 100–150 bares.....	108
SB 302: 100–150 bares.....	109
SB 452: 100–150 bares.....	110
SB 552: 100–150 bares.....	110



## Introducción

Gracias por elegir un producto de Atlas Copco. Desde 1873, tenemos el compromiso de encontrar nuevas y mejores formas de satisfacer las necesidades de nuestros clientes. A lo largo de los años, hemos desarrollado diseños de productos innovadores y ergonómicos que han ayudado a mejorar y racionalizar el trabajo diario de nuestros clientes.

Atlas Copco cuenta con una sólida red de ventas y servicios a escala mundial formada por centros de atención al cliente y distribuidores repartidos por todo el mundo. Nuestros expertos son profesionales altamente cualificados que poseen amplios conocimientos sobre los productos y una gran experiencia con las aplicaciones. En todos los rincones del mundo ofrecemos asistencia al producto y nuestra experiencia para garantizar que nuestros clientes puedan trabajar siempre con la mayor eficiencia.

Para obtener más información, visite: [www.atlascopco.com](http://www.atlascopco.com)

## Acerca de las instrucciones de seguridad y de funcionamiento

El objetivo de estas instrucciones es proporcionarle los conocimientos necesarios para usar el martillo hidráulico de manera eficiente y segura. Además, las instrucciones también le aconsejan y le informan de cómo llevar a cabo el mantenimiento regular del martillo hidráulico.

Antes de utilizar el martillo hidráulico por primera vez debe leer cuidadosamente y entender todas estas instrucciones.

## Instrucciones de seguridad

Para reducir el riesgo de ocasionar lesiones graves o la muerte a usted o a otras personas, lea estas instrucciones de seguridad antes de utilizar la máquina.

Exponga estas instrucciones de seguridad en las zonas de trabajo, proporcione copias a los empleados y asegúrese de que todos las lean antes de utilizar la máquina o de realizar las tareas de mantenimiento de ésta.

Cumpla todas las normativas de seguridad.

## Terminología de las señales de seguridad

Los términos de seguridad Peligro, Atención y Cuidado tienen los siguientes significados:

<b>PELIGRO</b>	Indica una situación de peligro que, si no se evita, ocasionará la muerte o lesiones graves.
<b>ATENCIÓN</b>	Indica una situación de peligro que, si no se evita, podría ocasionar la muerte o lesiones graves.
<b>CUIDADO</b>	Indica una situación de peligro que, si no se evita, podría ocasionar lesiones menores o moderadas.

## Precauciones y cualificaciones del personal

Sólo personas cualificadas y debidamente formadas pueden utilizar u ocuparse del mantenimiento de la máquina. Utilice siempre su sentido común y buen juicio.

### Transporte

El transporte del martillo hidráulico sólo lo pueden realizar aquellas personas que:

- estén autorizadas para manejar un camión grúa o elevador de horquilla de conformidad con las directivas nacionales aplicables,
- conozcan todas las instrucciones nacionales pertinentes sobre seguridad y prevención de accidentes
- y hayan leído y comprendido los capítulos sobre seguridad y transporte de este manual.

### Instalación, almacenaje, mantenimiento y desecho

La instalación, el almacenaje, el mantenimiento y el desecho del martillo hidráulico sólo lo pueden realizar aquellas personas que:

- conozcan todas las instrucciones nacionales pertinentes sobre seguridad y prevención de accidentes
- y hayan leído y comprendido las instrucciones de seguridad y funcionamiento.

### Funcionamiento

Sólo los operarios de vehículos portadores cualificados podrán manejar el martillo hidráulico. Los operarios de vehículos portadores se considerarán cualificados si:

- han recibido formación para manejar vehículos portadores de conformidad con las directivas nacionales,
- conocen todas las instrucciones nacionales pertinentes sobre seguridad y prevención de accidentes
- y han leído y comprendido las instrucciones de seguridad y funcionamiento.

### Pruebas

Las pruebas del martillo hidráulico sólo las podrán llevar a cabo técnicos profesionales. Estos técnicos deberán estar autorizados para manejar sistemas hidráulicos de conformidad con las directivas nacionales.

### Equipo de protección personal

Utilice siempre un equipo de protección aprobado. Los operarios y el resto del personal del área de trabajo deben llevar, como mínimo, el siguiente equipo de protección:

- Casco de protección
- Protección auditiva
- Protección ocular resistente a los impactos con protección lateral
- Protección respiratoria, cuando sea necesario
- Guantes protectores
- Botas protectoras adecuadas



## Drogas, alcohol y medicación

### ▲ ATENCIÓN Drogas, alcohol y medicación

Las drogas, el alcohol y la medicación pueden alterar la capacidad de juicio y el poder de concentración. Las malas reacciones y las valoraciones incorrectas pueden provocar accidentes graves o la muerte.

- ▶ Nunca utilice la máquina cuando esté cansado o bajo los efectos de drogas, alcohol o medicinas.
- ▶ Nadie que esté bajo los efectos de drogas, alcohol o medicinas podrá manejar la máquina.

## Vehículo portador, precauciones

Antes de utilizar y transportar el vehículo portador con el martillo hidráulico suministrado, lea cuidadosamente las normas de seguridad y las instrucciones de funcionamiento del fabricante del vehículo portador.

Asegúrese de que el vehículo portador cuenta con las características de protección adecuadas, incluida una pantalla protectora delante del operario.

El martillo hidráulico sólo se deberá montar en un vehículo portador con una capacidad de carga suficiente.

Los vehículos portadores sin suficiente capacidad de carga no ofrecen un nivel de estabilidad suficiente y podrían incluso caer durante el uso del martillo hidráulico, provocando lesiones y daños.

## Instalación, precauciones

### Sistema hidráulico

#### ▲ PELIGRO Gas comprimido, riesgos de explosión

El acumulador está presurizado incluso cuando el sistema hidráulico está apagado. Si se desmonta el acumulador sin vaciar primero el gas nitrógeno, esto puede causar daños personales o la muerte.

- ▶ Rellene el acumulador de alta presión con nitrógeno (N<sub>2</sub>) solamente.
- ▶ Sólo el personal autorizado está cualificado para trabajar con el acumulador.

### ▲ ATENCIÓN Aceite hidráulico a alta presión

Las finas proyecciones de aceite hidráulico a alta presión pueden penetrar en la piel y causar daños permanentes.

- ▶ Consulte de inmediato a un médico si el aceite hidráulico penetra en su piel.
- ▶ Nunca use los dedos para buscar fugas de aceite hidráulico.
- ▶ Mantenga la cara lejos de cualquier posible fuga.

### ▲ ATENCIÓN Aceite hidráulico

El aceite hidráulico derramado puede producir quemaduras y accidentes por resbalamiento y también perjudicará al medio ambiente.

- ▶ Tenga cuidado de todo el aceite derramado y manéjelo de acuerdo con la normativa medioambiental y de seguridad.
- ▶ No desmonte nunca el martillo hidráulico cuando el aceite hidráulico esté caliente.
- ▶ No extienda nunca conductos hidráulicos a través de la cabina del conductor para conectar el martillo hidráulico.

### ▲ CUIDADO Eczema cutáneo

El aceite hidráulico puede causar eczemas cuando entra en contacto con la piel.

- ▶ Evite que el aceite hidráulico entre en contacto con sus manos.
- ▶ Utilice siempre guantes protectores cuando trabaje con aceite hidráulico.

### Montaje/desmontaje

#### ▲ ATENCIÓN Piezas móviles

Riesgo de aplastamiento de manos y dedos.

- ▶ Nunca compruebe los diámetros interiores ni los conductos con las manos o los dedos.
- ▶ Los movimientos de la pluma se pueden realizar sólo según las instrucciones del personal de montaje del martillo hidráulico.
- ▶ Si el martillo hidráulico se monta en un enganche rápido de acoplamiento, asegúrese de que está fijado de manera segura y de eliminar todos los riesgos de que se suelte el martillo hidráulico.

## Funcionamiento, precauciones

### ▲ PELIGRO Peligro de explosión

Si una herramienta de inserción entra en el contacto con explosivos o con gases explosivos, se podría producir una explosión. Durante el funcionamiento con determinados materiales, se pueden producir chispas y un incendio. Las explosiones producirán lesiones graves o la muerte.

- ▶ Nunca utilice la máquina en un entorno explosivo.
- ▶ Nunca utilice la máquina cerca de materiales inflamables, humos o polvo.
- ▶ Asegúrese de que no haya fuentes de gas ni explosivos no detectados.

### ▲ ATENCIÓN Presión de funcionamiento

Si se sobrepasa la presión máxima de funcionamiento del martillo hidráulico, el acumulador se puede sobrecargar y ocasionar daños materiales y lesiones personales.

- ▶ Opere siempre el martillo hidráulico con la correcta presión de trabajo. Vea "Datos técnicos".

### ▲ ATENCIÓN Riesgos relacionados con el sílice

Las exposiciones al sílice cristalino (a veces llamado polvo de sílice) como resultado de las roturas u otras actividades relacionadas con rocas, hormigón, asfalto u otros materiales pueden producir silicosis (una seria enfermedad de los pulmones), enfermedades relacionadas con la silicosis, cáncer o la muerte. El sílice es uno de los principales componentes en los yacimientos de roca, arena y minerales.

- ▶ Los martillos SB están preparados para eliminar el polvo, con el fin de reducir la exposición al sílice.

### ▲ ATENCIÓN Riesgos relacionados con el polvo

El polvo, los gases y otros materiales en suspensión generados durante el uso de la máquina pueden contener sustancias químicas que en el Estado de California se sabe que han producido cáncer y defectos de nacimiento u otros daños reproductivos. Algunos ejemplos de estas sustancias químicas son:

- Sílice cristalino, cemento y otros productos de albañilería.
- Arsénico y cromo procedente del caucho tratado con sustancias químicas.
- Plomo procedente de pinturas al plomo.
- ▶ Para reducir su exposición a estas sustancias químicas, trabaje en una zona bien ventilada con equipos de seguridad aprobados, como por ejemplo máscaras antipolvo, que estén especialmente diseñadas para filtrar las partículas microscópicas.

### ▲ ATENCIÓN Descarga eléctrica

El martillo hidráulico no está aislado contra la corriente eléctrica. Si el martillo hidráulico entra en contacto con un circuito eléctrico u otra fuente de energía eléctrica, hay riesgo de graves lesiones o de muerte.

- ▶ Nunca trabaje cerca de circuitos eléctricos ni de otras fuentes de energía eléctrica.
- ▶ Asegúrese de que no haya circuitos eléctricos ocultos en el área de trabajo.

### ▲ ATENCIÓN proyectiles

Durante las roturas, las astillas y otras partículas pueden actuar como proyectiles y causar daños corporales al golpear al operario o a otras personas. Los objetos de pequeño tamaño que caigan desde grandes alturas pueden causar daños importantes.

- ▶ Aísle el área de trabajo.
- ▶ Antes de comenzar, asegúrese de que no haya ninguna persona en el área de riesgo (a 20 metros horizontal y verticalmente) del martillo hidráulico.
- ▶ Desconecte inmediatamente el martillo hidráulico cuando haya personas en el área de peligro.

### ▲ ATENCIÓN Riesgos relacionados con el ruido

Los niveles de ruido altos pueden provocar una pérdida auditiva permanente.

- ▶ Use protección auditiva acorde con las normas de seguridad y salud laboral.

## Almacenaje, precauciones

### ▲ ATENCIÓN El martillo hidráulico y la herramienta de trabajo son pesados

- ▶ Almacene el martillo hidráulico y la herramienta de trabajo de forma que no se caigan ni rueden.

## Mantenimiento, precauciones

### ▲ ATENCIÓN Encendido involuntario

Un encendido involuntario del martillo hidráulico puede producir graves lesiones.

- ▶ Siga las instrucciones del manual del vehículo portador para impedir el encendido involuntario del martillo hidráulico.
- ▶ La instalación del circuito de encendido del martillo hidráulico debe hacerse de modo que se eviten los encendidos no intencionados.
- ▶ El pedal del pie del vehículo portador debe estar equipado con una tapa de protección.

**▲ ATENCIÓN Sistema hidráulico a alta presión**

Los trabajos de mantenimiento en un martillo hidráulico a presión pueden producir graves lesiones. Además es posible que las conexiones se suelten de repente, las piezas se desplacen y el aceite hidráulico sea expulsado.

- ▶ Antes de realizar el mantenimiento del martillo hidráulico o del vehículo portador, despresurice el sistema hidráulico.

**▲ ATENCIÓN Modificación de la máquina**

Cualquier modificación de la máquina puede ocasionar lesiones personales a usted y a otras personas.

- ▶ Nunca modifique la máquina.
- ▶ Utilice siempre las piezas y los accesorios originales aprobados por Atlas Copco.

**▲ CUIDADO Herramienta de inserción caliente**

La punta de la herramienta de inserción se calienta cuando se usa. Si se toca, puede provocar quemaduras.

- ▶ Nunca toque una herramienta de inserción caliente.
- ▶ Espere a que la herramienta de inserción se haya enfriado antes de realizar los trabajos de mantenimiento.

## Visión general

Para reducir el riesgo de que usted u otras personas padezcan lesiones graves o la muerte, antes de usar la máquina lea la sección de Instrucciones de seguridad que encontrará en las páginas anteriores de este manual.

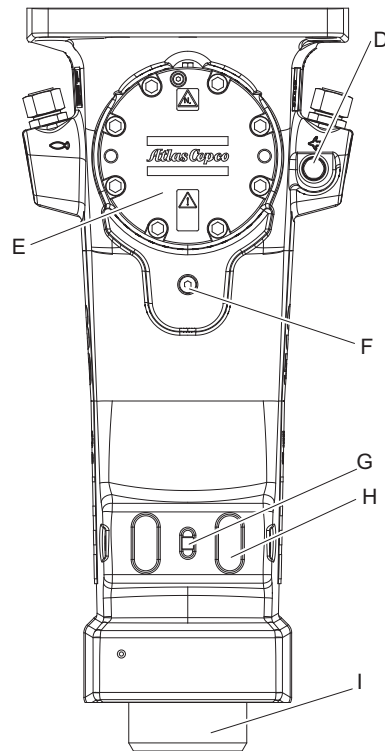
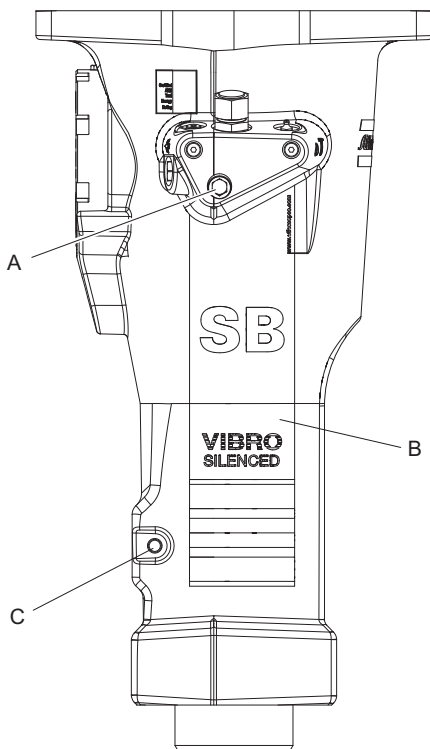
## Diseño y funcionamiento

SB es una gama de martillos hidráulicos montados en equipos diseñada para todo tipo de trabajos de demolición.

SB viene del inglés "solid body" (cuerpo sólido), lo que significa que el martillo está hecho de una sola pieza. El acumulador está integrado en el cuerpo.

El martillo hidráulico se maneja desde la cabina del conductor del vehículo portador utilizando el sistema hidráulico. La frecuencia del martillo se controla mediante el caudal de aceite del vehículo portador.

## Piezas principales

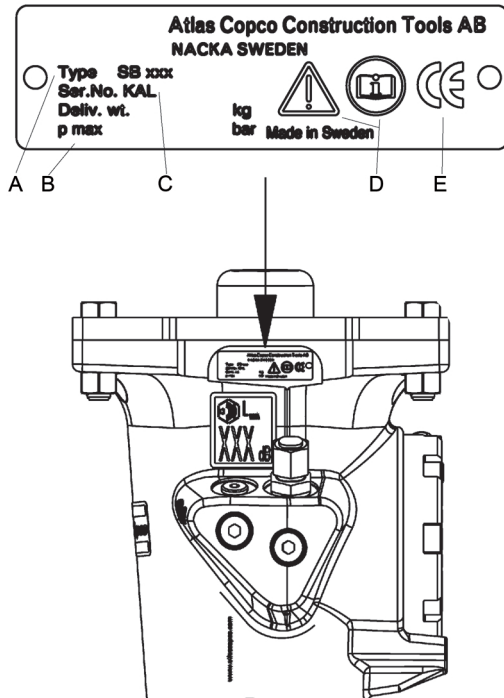


- A. Limitador
- B. Cuerpo del martillo
- C. Pasador de seguridad
- D. Válvula de descarga de presión
- E. Acumulador
- F. Tapón de drenaje de aceite
- G. Amortiguador de bloqueo
- H. Retén de la herramienta
- I. Casquillo

## Símbolos y letreros

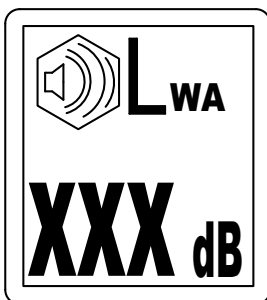
La máquina incluye símbolos y letreros que contienen información importante sobre la seguridad personal y el mantenimiento de la máquina. Los símbolos y los letreros siempre deben ser fáciles de leer. Pueden pedirse símbolos y letreros nuevos de la lista de piezas de repuesto.

## Placa de datos



- A. Tipo de máquina
- B. Máxima presión hidráulica
- C. Número de serie
- D. El símbolo de atención unido al símbolo del libro significa que el usuario debe leer las instrucciones de seguridad y funcionamiento antes de usar la máquina por primera vez.
- E. El símbolo CE indica que la máquina tiene la aprobación de la CE. Consulte la declaración de conformidad de la CE que se suministra con la máquina para obtener más información.

## Símbolo de nivel de ruido



El letrero es el indicador del nivel de ruido garantizado correspondiente a la directiva de la CE 2000/14/EC. Vea "Datos técnicos" para saber el nivel de ruido adecuado.

## Letreros del acumulador



Lea cuidadosamente las instrucciones de revisión antes de realizar el mantenimiento o cambiar alguna pieza.



El acumulador sólo debe cargarse con nitrógeno.

**AVISO!** Sólo se permite al personal autorizado trabajar con el acumulador.

## Transporte

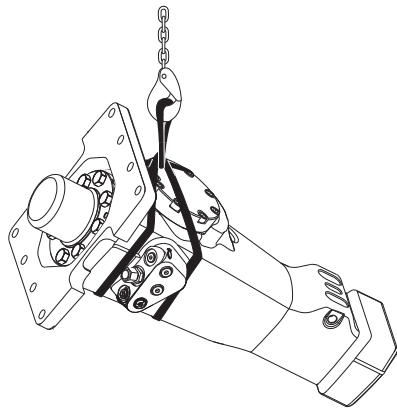
## Al levantar el martillo hidráulico

**▲ ATENCIÓN** Si se cae, puede producir lesiones

- Coloque el martillo hidráulico en un lugar seguro, donde no pueda caerse ni causar ningún daño.

Compruebe cuidadosamente que el vehículo portador es suficientemente estable cuando se transporta el martillo hidráulico o se realiza su mantenimiento u otro tipo de trabajo.

El martillo hidráulico se entrega en una caja. Para sacar el martillo hidráulico de una manera segura, coloque la correa de elevación en la posición que muestra la figura de abajo.



## Instalación

Antes de instalar el martillo hidráulico en el vehículo portador o de hacerlo funcionar, lea el manual de funcionamiento y las instrucciones de seguridad proporcionados por el fabricante del vehículo portador. Siga todas las instrucciones.

El vehículo portador debe tener el sistema hidráulico adecuado para el funcionamiento del martillo.

Si el vehículo portador es demasiado grande para el martillo, es posible que éste llegue a romper la herramienta de trabajo e incrementar el desgaste. Vea "Datos técnicos" para seleccionar un vehículo portador adecuado.

Un supervisor profesional o autorizado deberá comprobar la calidad, idoneidad y funcionalidad del equipo de seguridad del sistema hidráulico (marca CE, etc.), antes de su uso.

## Mangueras y conexiones

### ⚠ ATENCIÓN Latiguo de las mangueras hidráulicas

Si los tornillos se han soltado o aflojado, las mangueras hidráulicas a presión pueden moverse rápidamente sin control. En estos casos, la manguera hidráulica puede causar lesiones graves.

- ▶ Antes de aflojar la conexión de una manguera hidráulica, despresurice el sistema hidráulico.
- ▶ Apriete las tuercas de las conexiones de las mangueras hidráulicas con el par necesario.

Tipo de boquilla: Boquilla estándar Atlas Copco ORFS. Las dimensiones de la boquilla se encuentran en los listados de piezas de repuesto.




La calidad de las mangueras hidráulicas debe ser de 2SC (de acuerdo con la norma EN 857) o mejor cuando se conecte el martillo al vehículo portador. Si se tienen que utilizar enganches rápidos, recomendamos utilizar el acoplamiento rápido "Flat Face". Este tipo es robusto y fácil de limpiar. El tipo

de presión del acoplamiento rápido debe corresponderse con la presión de trabajo del vehículo portador.

Limpie siempre las uniones rápidas antes del montaje y desmontaje. Enchufe siempre las mangueras y las boquillas de las mangueras con conectores limpios y fijos cuando los esté desmontando.




### Conexión de mangueras

#### Derecha (tal y como se ven desde el asiento del operario)

	Descarga de aire	Lubricación central	Tanque, línea de retorno
Símbolo			
SB 52	G 1/4"	G 1/4"	G 3/8"
SB 102	G 1/4"	G 1/4"	G 1/2"
SB 152	G 1/4"	G 1/4"	G 1/2"
SB 202	G 1/4"	G 1/4"	G 1/2"
SB 302	G 1/4"	G 1/4"	G 3/4"
SB 452	G 1/4"	G 1/4"	G 3/4"
SB 552	G 1/4"	G 1/4"	G 1"

### Conexión de mangueras

#### Izquierda (tal y como se ven desde el asiento del operario)

	Agua	Presión al martillo	Presión para ContiLube®II
Símbolo			
SB 52	-	G 3/8"	G 1/4"
SB 102	-	G 1/2"	G 1/4"
SB 152	G 1/4"	G 1/2"	G 1/4"
SB 202	G 1/4"	G 1/2"	G 1/4"
SB 302	G 1/4"	G 3/4"	G 1/4"
SB 452	G 1/4"	G 3/4"	G 1/4"
SB 552	G 1/4"	G 1"	G 1/4"

### Par de apriete para la manguera de presión y retorno

SB 52	60 Nm
SB 102	150 Nm
SB 152	150 Nm
SB 202	150 Nm
SB 302	210 Nm
SB 452	210 Nm
SB 552	300 Nm

## El aceite hidráulico

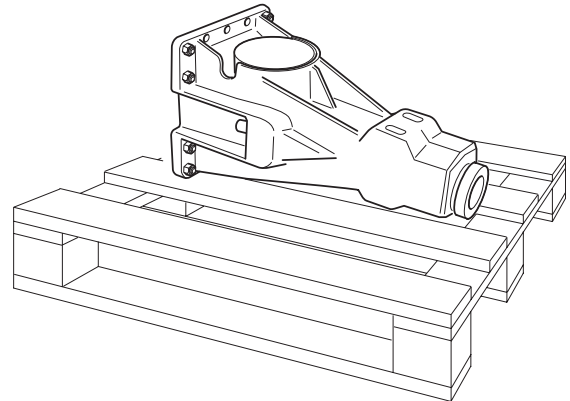
Normalmente el tipo de aceite hidráulico del vehículo portador también se utiliza para el martillo hidráulico.

Cuando un martillo hidráulico se conecta al vehículo portador, el aceite hidráulico se ensucia más rápido. Revise y siga las instrucciones del vehículo portador para cambiar el aceite y el filtro. Es habitual cambiar con más frecuencia el filtro si se instala un martillo hidráulico.

Los martillos hidráulicos SB están equipados con un tapón de aceite para purgar todo el aceite antes de desmontarlos. Esto es para reducir el riesgo de derramamiento de aceite.

**AVISO!** Cuando se entrega un martillo SB, éste contiene algún aceite hidráulico con base mineral. Antes de conectar el vehículo portador al sistema hidráulico, revise qué tipo de aceite hidráulico utiliza el vehículo portador. Mezclar diferentes tipos de aceite hidráulico puede destruir la calidad del lubricante, lo cual puede dañar la máquina.

**AVISO!** Monte el martillo de forma que el acumulador se sitúe frente a la cabina del operario, para reducir el riesgo de daños en el acumulador.



## Montaje

**▲ ATENCIÓN** Si se cae el martillo, puede producir lesiones

- Coloque el martillo hidráulico en un lugar seguro, donde no pueda caerse ni causar ningún daño.

Haga circular el aceite hidráulico antes de conectar el martillo. Esto es para asegurarse de que el aceite hidráulico está limpio. Utilice la misma rutina cuando cambie la manguera de aceite hidráulico. Para obtener más información, vea "El aceite hidráulico".

1. Conecte la manguera de presión y retorno.



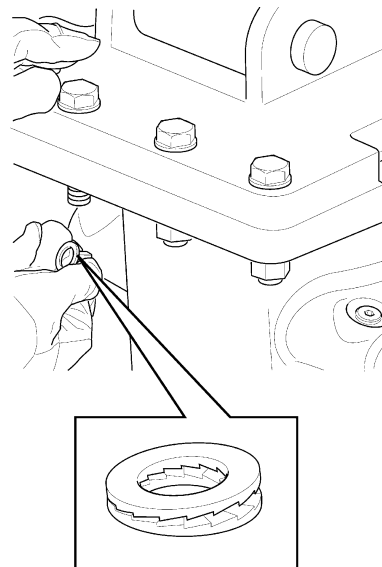
2. Pase el aceite hidráulico por el filtro de aceite del vehículo portador durante aproximadamente 3 minutos para asegurarse de que las mangueras están limpias.

### Preparación

1. El martillo debe situarse en un lugar donde sea fácil y seguro montar la placa adaptadora.

### Montaje de la placa adaptadora

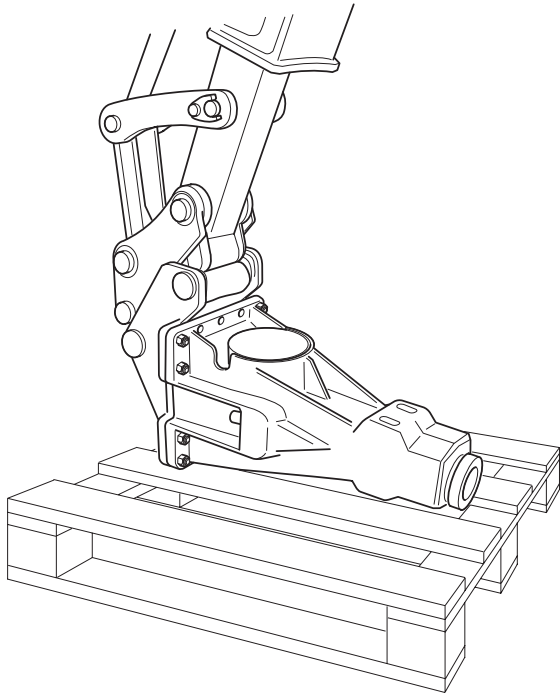
2. Si el tornillo de seguridad Tough de Atlas Copco no está disponible, recomendamos el uso de arandelas NORD-LOCK™ bajo perno y tuerca (NORD-LOCK™ es una marca registrada de Nord-Lock AB en los Estados Unidos y/o en otros países).



Placa adaptadora	Par de apriete
SB 52	290 Nm
SB 102	200 Nm
SB 152	200 Nm
SB 202	200 Nm
SB 302	170 Nm
SB 452	400 Nm
SB 552	400 Nm

*Conexión del martillo al vehículo portador*

3. Sitúe el martillo en un lugar seguro durante la instalación.



La entrada de presión en el martillo hidráulico está en el lado izquierdo si usted se sitúa frente al acumulador. Si la manguera de presión está al otro lado del brazo de excavación, puede cruzar las mangueras o girar el martillo hidráulico.

4. Baje cuidadosamente la pluma hacia la adaptadora.

**▲ ATENCIÓN Las piezas móviles pueden producir aplastamientos y cortes**

- Nunca compruebe los diámetros interiores ni los conductos con las manos o los dedos.

Un asistente debe dirigir el movimiento del brazo de excavación hasta que los agujeros del brazo queden nivelados con los de la adaptadora.

Deberá acordar con el asistente una serie de señales manuales claras para utilizarlas durante el proceso de montaje.

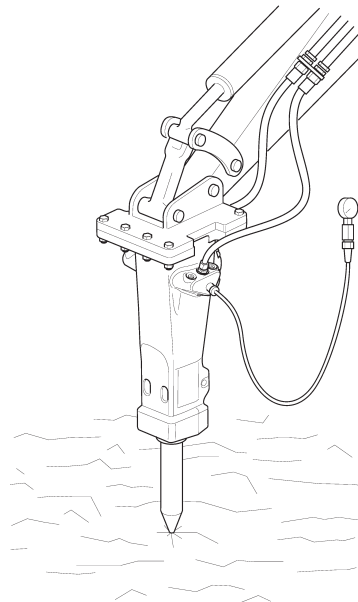
5. Introduzca el pasador y ciérrelo.
6. Eleve el martillo hidráulico utilizando la pluma.
7. Extienda el cilindro de cuchara hasta que los agujeros de la palanca de conmutación queden nivelados con los de la superficie adaptadora. Inserte el pasador de la palanca de conmutación y ciérrelo.

8. Después de montar el martillo, extienda cuidadosamente y retraiga el cilindro de cuchara en su total extensión en ambos sentidos. Es importante que el cilindro se pueda abrir y cerrar totalmente sin dificultad.

## Ajuste de presión

Los martillos SB están equipados con una válvula de alivio de presión que asegura el martillo. La presión de funcionamiento del martillo hidráulico (máximo 150 bares) se revisa y ajusta mediante un manómetro mientras se maneja el martillo hidráulico.

- Si la presión de funcionamiento es mayor de 150 bares, se debe reducir la presión. Reduzca el caudal de aceite del vehículo portador hasta que la presión baje a 150 bares. Este ajuste es importante para asegurar que la válvula de alivio de presión integrada en el martillo no se abra ni deje caer el aceite al tanque, creando problemas de calentamiento.
- Si la presión de funcionamiento está entre 130 y 150 bares, normalmente no es necesario hacer ningún ajuste.
- Si el caudal de aceite en el vehículo portador es demasiado bajo para mantener una adecuada presión de funcionamiento, se deberá cambiar el limitador del martillo. Vea los diagramas de flujo de "Datos técnicos" para seleccionar el mejor limitador para su aplicación.



Coloque el martillo hidráulico en posición vertical hacia el basamento sólido o similar para ajustar la presión utilizando un manómetro.



## Descarga de agua

El martillo hidráulico está preparado para descargar agua, función que sirve para disipar el polvo cuando se llevan a cabo operaciones de demolición.

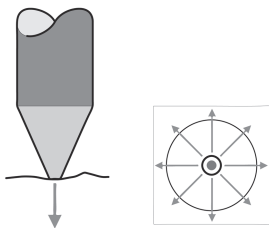
Cuando se conecta la descarga de agua, se debe cambiar el tapón de la parte delantera del martillo por una boquilla de agua. Vea el listado de piezas de repuesto para pedir una nueva boquilla de agua.

Utilice una manguera hidráulica de ¼" con una conexión JIC como manguera de agua adecuada. El consumo de agua a 4 bares es de 6,6 l/min. Póngase en contacto con su taller autorizado más cercano si precisa más instrucciones.

## Herramienta de inserción

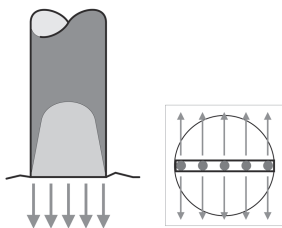
### Selección de la herramienta de inserción adecuada

#### Puntero cónico



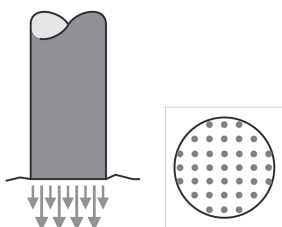
- Muy buena penetración
- Distribución regular de la energía
- Sin efectos de torsión

#### Escoplos y palas



- Muy buena distribución de la energía
- Buena penetración
- Efecto de torsión

#### Herramienta roma



- Muy buena aplicación de la energía
- Efecto de rotura óptimo
- Sin efectos de torsión

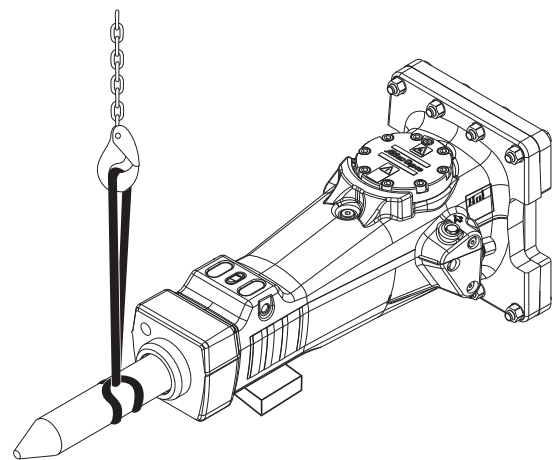
## Montaje y desmontaje de la herramienta de inserción

### ▲ ATENCIÓN Motor en marcha

Cambiar la herramienta insertada cuando el vehículo portador está funcionando puede causar daños graves.

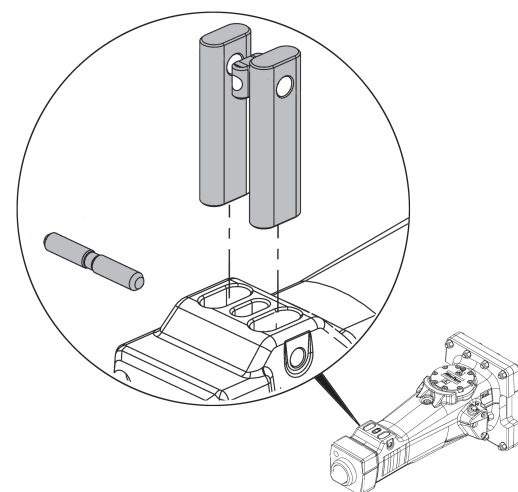
- ▶ Asegure el vehículo portador contra cualquier activación involuntaria.

1. Antes de cambiar la herramienta de inserción, apague el motor del vehículo portador.
2. Monte (y desmonte) la herramienta insertada con una correa de elevación, para reducir el riesgo de que algunas partes del cuerpo puedan quedar aplastadas.



Algunas herramientas de inserción pesan mucho, por lo tanto levántelas de una forma segura.

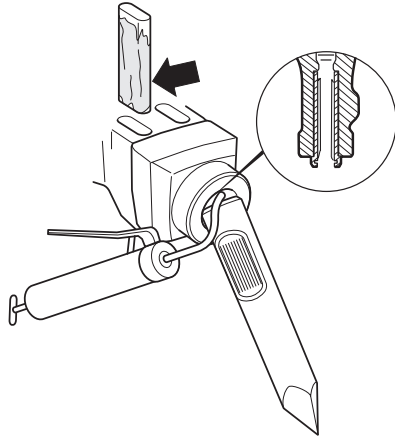
3. Compruebe que el amortiguador de bloqueo no está desgastado ni dañado.



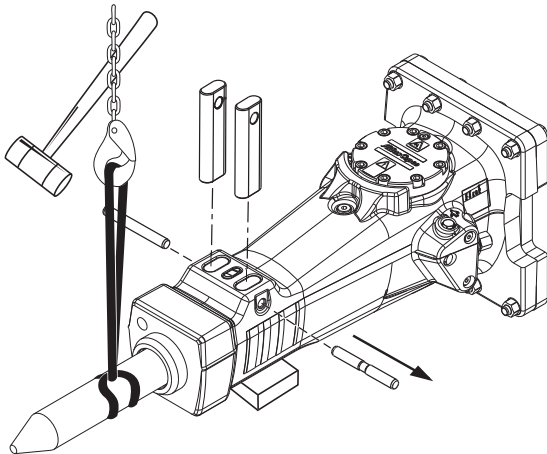
El amortiguador de bloqueo del bloqueo de retén de la herramienta está hecho de plástico y puede derretirse cuando se trabaja a altas temperaturas. Si esto ocurriera, cambie el pasador de seguridad estándar. En su lugar,

puede utilizar un pasador de resorte opcional, que se encuentra en el listado de piezas de repuesto.

4. Limpie y lubrique bien el casquillo. Esto es de vital importancia cuando monte una herramienta de inserción nueva.



5. Monte la herramienta de inserción.
6. Gírela para esparcir el aceite.
7. Monte los retenes de la herramienta de uno en uno.
8. Introduzca el pasador de seguridad hasta que el amortiguador de bloqueo se acople en la ranura del pasador.



La herramienta de inserción se desmonta de manera inversa a las instrucciones de montaje.

## Funcionamiento

**AVISO!** El martillo hidráulico o la herramienta de trabajo no deben usarse como dispositivos elevadores. Cuando levante componentes pesados, utilice el gancho del brazo del vehículo portador.

## Preparación antes de la rotura

### Temperaturas de funcionamiento

Las temperaturas de funcionamiento del martillo hidráulico están entre  $-20^{\circ}\text{C}$  y  $+80^{\circ}\text{C}$ .

#### ▲ CUIDADO Riesgos de temperatura

El martillo hidráulico y el sistema hidráulico del aceite del vehículo portador pueden dañarse si el martillo hidráulico se usa a temperaturas superiores o inferiores.

- ▶ Arranque el martillo hidráulico sólo cuando el aceite hidráulico haya alcanzado la temperatura de funcionamiento adecuada.
- ▶ Si la temperatura exterior es inferior a  $-20^{\circ}\text{C}$ , deberá calentar la herramienta de trabajo y el martillo hidráulico antes de su uso.
- ▶ Si la temperatura del aceite supera los  $+80^{\circ}\text{C}$ , no deberá utilizar el martillo hidráulico, ya que la calidad del aceite se hace inadecuada, lo que reduce gravemente la vida de los retenes y de los anillos tóricos.

### RPM del motor

Si las revoluciones del motor son muy elevadas, se producirá un aumento del consumo de combustible y un incremento de la temperatura del aceite. Adapte las revoluciones del motor a los valores recomendados para conseguir un correcto caudal de funcionamiento del aceite.

## En funcionamiento

### Roturas

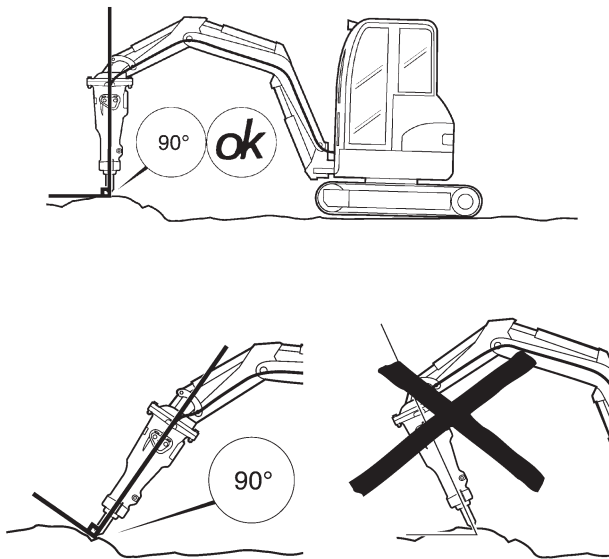
#### ▲ CUIDADO Peligros de la máquina y las herramientas

El funcionamiento continuo con apertura/cierre total puede provocar daños en los cilindros hidráulicos.

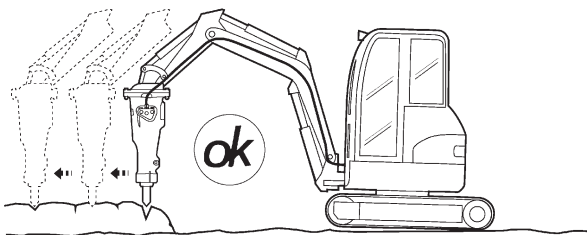
- ▶ Evite siempre manejar el martillo con los cilindros completamente abiertos o cerrados.
- ▶ Reposicione el vehículo portador y/o la pluma para evitar que los cilindros estén totalmente abiertos o cerrados.
- ▶ Preste atención y mire lo que está haciendo.

Nunca encienda el martillo hidráulico hasta que el vehículo portador y el martillo se encuentren en la posición correcta.

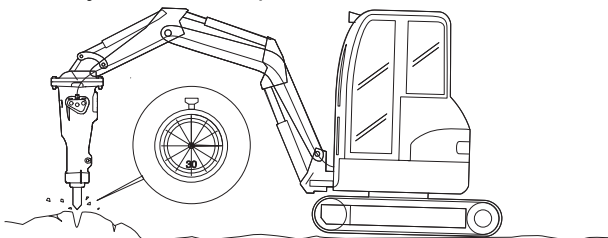
- ◆ Dirija el martillo hidráulico en una posición de 90° hacia el objeto.



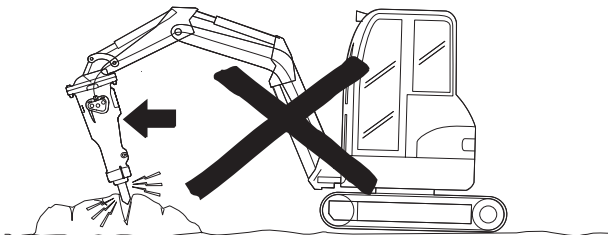
- ◆ Comience cerca del borde y vaya acercándose hacia el medio. Nunca comience en el centro de objetos grandes.



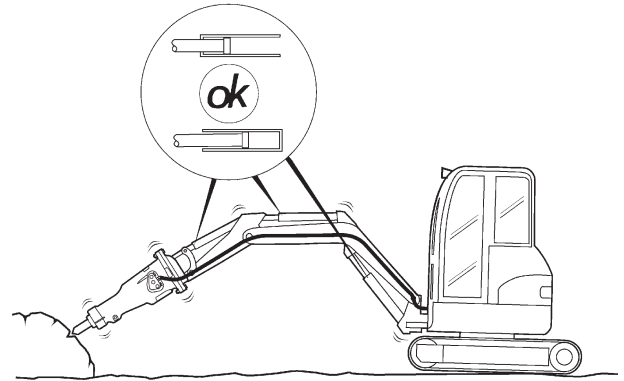
- ◆ No utilice nunca el martillo hidráulico más de 15 segundos en el mismo punto. Mueva la herramienta de trabajo hacia una nueva ubicación si el objeto no se rompe.



- ◆ No incline nunca la herramienta de trabajo.

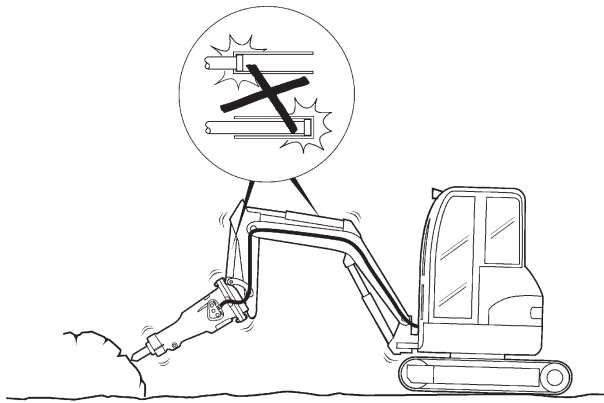


- ◆ Utilice la presión de alimentación correcta. Cuando la presión de alimentación es correcta, el martillo hidráulico trabaja de manera óptima y las vibraciones son las mínimas. Además el desgaste del casquillo y de la herramienta se mantiene al mínimo.

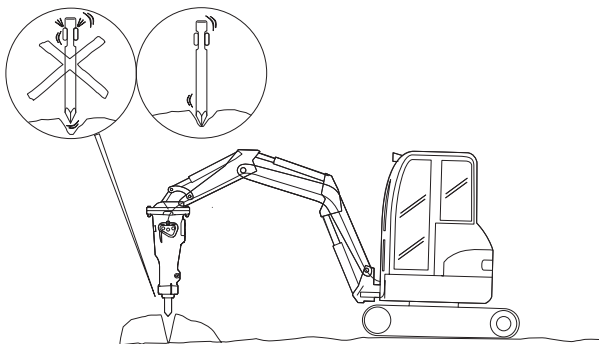


- ◆ Escuche el sonido que hace el martillo hidráulico. Cambiará si hay inclinación entre la herramienta y el casquillo.

- ◆ No maneje nunca el martillo con los cilindros de la pluma en su posición final. Puede causar daños en el vehículo portador.

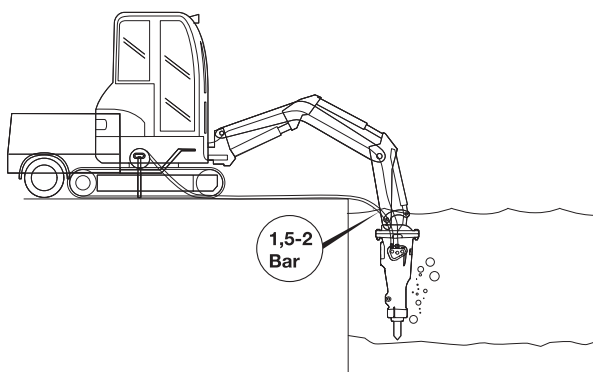


- ◆ Evite los golpes secos, ya que estos causan desgaste en la herramienta de trabajo y en los retenes de la herramienta.



### Rotura bajo el agua

Los martillos hidráulicos se pueden utilizar bajo el agua.



Cuando opere bajo el agua, el martillo hidráulico debe alimentarse con aire comprimido para mantener el área entre el pistón y la herramienta de trabajo libre de agua. Si el área entre el pistón y la herramienta de trabajo se llena de agua, puede penetrar en el sistema hidráulico de aceite cuando el martillo hidráulico esté funcionando.

La presión de aire debe estar entre 1,5 y 2 bares en la entrada de aire del martillo. El consumo de aire figura en "Datos técnicos". La manguera de aire adecuada es una manguera hidráulica de 1/4" con conexiones JIC. Póngase en contacto con su taller autorizado más cercano para obtener más instrucciones.

## Mantenimiento

Es esencial que se lleve a cabo un mantenimiento regular para mantener la máxima eficiencia de los martillos.

Un equipo cuyo mantenimiento sea insuficiente puede ser peligroso tanto para el operario como para las personas que estén cerca del martillo. Asegúrese de que se siguen las rutinas de mantenimiento y lubricación para mantener el equipo seguro y eficiente.

## Cada dos horas

Lubrique de forma regular la herramienta de trabajo, los retenes de la herramienta y los casquillos, con pasta lubricante Atlas Copco Tool.

### Lubricación con pistola de engrase

**▲ ATENCIÓN** La herramienta de trabajo está caliente durante el funcionamiento y un tiempo después del uso.

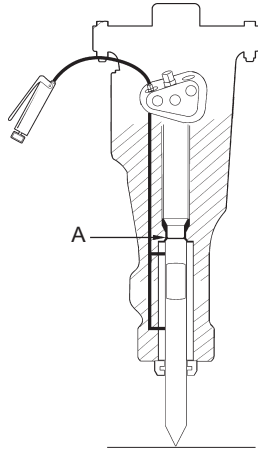
► Evite el contacto con la herramienta de trabajo.

**▲ CUIDADO Eczema cutáneo**

El aceite hidráulico puede causar eczemas cuando entra en contacto con la piel.

► Evite tocar el aceite hidráulico con las manos.

1. Empuje la herramienta dentro del martillo hasta el final (A). De lo contrario, el espacio entre la parte superior de la herramienta y el martillo se llenaría de grasa.



2. Lubrique el vástago de la herramienta de trabajo a fondo durante el funcionamiento en sentido vertical. El casquillo y la herramienta de trabajo deben lubricarse frecuentemente, de manera que no entre suciedad en el martillo hidráulico.

Cuando el vástago de la herramienta se expone a altas presiones y alta temperatura, un aceite hidráulico estándar se derretiría y fluiría. Para evitar esto, utilice siempre pasta lubricante de Atlas Copco Tool.

**Sistema de lubricación central**

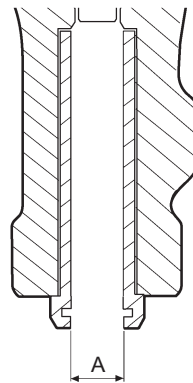
Le recomendamos el sistema de lubricación central de Atlas Copco. Cuando el sistema se sitúa adecuadamente en el vehículo portador, el aceite hidráulico se bombea constantemente desde un depósito de lubricación del vehículo portador hasta el martillo, cuando éste está activado. Esto incrementa considerablemente la vida de los casquillos de la herramienta y de las herramientas de trabajo.

**A diario**

1. Compruebe los retenes de la herramienta y el pasador de seguridad.
2. Compruebe que las mangueras, los acoplamientos y el acumulador se encuentren en buen estado.
3. Compruebe que los pernos y las conexiones no estén dañados y que estén correctamente apretados. Consulte los pares de apriete en el listado de piezas de repuesto.
4. Rellene el sistema de lubricación central.

**Una vez por semana**

1. Limpie el martillo hidráulico cuidadosamente.
2. Revise el desgaste de los casquillos y los límites de desgaste (B) máximos del interior.



El casquillo se debe reemplazar cuando el diámetro interior (A) ha llegado al desgaste máximo. Vea "Límites de desgaste" y "Sustitución del casquillo de la herramienta de trabajo".

3. Revise el desgaste (C) de la herramienta de trabajo.



La herramienta de trabajo se debe reemplazar cuando el diámetro exterior (B) haya alcanzado su límite mínimo de desgaste. Vea "Límites de desgaste".

Si la holgura es demasiado grande, puede romper la herramienta de trabajo y dañar el pistón.

4. Compruebe las posibles grietas y el desgaste del cuerpo del martillo y de la placa adaptadora.

5. Compruebe que los tornillos del acumulador estén correctamente apretados. El par de apriete correcto figura en el listado de piezas de repuesto.

La herramienta de trabajo no debe afilarse nunca por forjado. El afilado sólo debe realizarse mediante fresado, esmerilado o torneado.

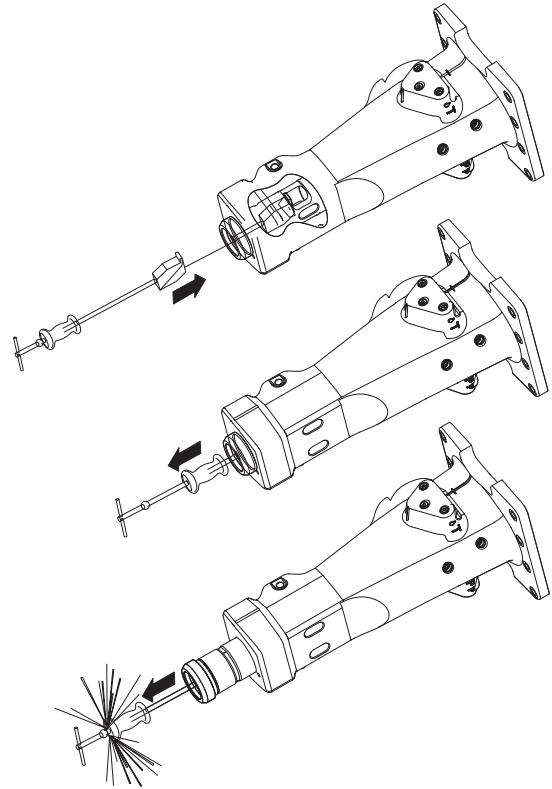
### Límites de desgaste

	B mm (in.)	C mm (in.)
SB 52	42 (1,6)	38 (1,5)
SB 102	47 (1,8)	43 (1,7)
SB 152	52 (2,0)	48 (1,9)
SB 202	68 (2,7)	63 (2,5)
SB 302	83 (3,3)	78 (3,1)
SB 452	98 (3,85)	92 (3,6)
SB 552	103 (4,1)	97 (3,8)

### Sustitución del casquillo de la herramienta de trabajo

El casquillo de la herramienta de trabajo se mantiene en su sitio gracias a los retenes de la herramienta. Un nuevo casquillo dispone de un ajuste de deslizamiento.

1. Si el casquillo desgastado se atasca, utilice un martillo deslizante para quitarlo.



2. Limpie cuidadosamente el agujero y el área de asiento del casquillo.
3. Monte juntas tóricas nuevas, lubriqué y monte el casquillo.
4. Utilice una maza de plástico para introducir el casquillo.
5. Mantenga el casquillo en su sitio con ayuda de los retenes de la herramienta.
6. Monte un nuevo anillo rascador.

### Una vez al año

La revisión deberá hacerse después de un año de funcionamiento continuo. Por razones de seguridad, sólo personal autorizado deberá realizar la revisión en el taller más cercano de Atlas Copco u otro taller autorizado por Atlas Copco.

## Almacenaje

**▲ ATENCIÓN** Si se cae el martillo, puede producir lesiones

- ▶ Coloque el martillo hidráulico en un lugar seguro, donde no pueda caerse ni causar ningún daño.

Si el martillo hidráulico no se va a utilizar durante un periodo prolongado de tiempo, se deberán tener en cuenta los siguientes puntos para proteger el martillo hidráulico de la corrosión:

1. Limpie el martillo hidráulico cuidadosamente.
2. Desmonte la herramienta de trabajo y lubrique la parte frontal del pistón, el casquillo y el bloqueo del retén de la herramienta.
3. Almacene el martillo hidráulico en un lugar seco.

## Desechar

Una máquina usada debe tratarse y desguazarse de manera que la mayor proporción posible del material se pueda reciclar y cualquier influencia negativa sobre el medio ambiente se reduzca al máximo.

Antes de que una máquina usada sea desguazada debe vaciarse y limpiarse de todo el aceite hidráulico. Se debe depositar el aceite hidráulico sobrante y reducir al máximo cualquier influencia negativa sobre el medio ambiente.

## Especificaciones técnicas

### Datos de la máquina

	SB 52	SB 102	SB 152	SB 202	SB 302	SB 452	SB 552
Designación	8460 0300 10	8460 0300 30	8460 0300 40	8460 0300 50	8460 0300 60	8460 0300 70	8460 0300 80
Peso de funcionamiento (kg)	55	87	140	201	310	441	521
Peso de entrega (kg)	44	68	110	154	224	321	390
Diámetro del vástago de la herramienta (mm)	40	45	50	65	80	95	100

### Capacidades

	SB 52	SB 102	SB 152	SB 202	SB 302	SB 452	SB 552
Peso adecuado del vehículo portador	0.7–1.1	1.1–3.0	1.9–4.5	2.5–6.0	4.5–9	6.5–13	9–15
Caudal de aceite (l/min)	15–32	16–35	25–45	35–66	50–80	55–100	65–115
Frecuencia de impacto (golpes/min)	960–2160	720–2280	840–1920	840–1800	600–1380	540–1260	660–1140
Presión de funcionamiento (bares)	100–150	100–150	100–150	100–150	100–150	100–150	100–150
Aceptación de presión de retorno (bares)	25	18	25	25	26	21	18
Presión del acumulador (bares)	40	40	40	40	40	40	40
Válvula de alivio de presión (bares)	170	170	170	170	170	180	170
Presión del agua (bares)	-	-	4	4	4	4	4
Consumo de agua (l/min)	-	-	≤5	≤5	≤9	≤9	≤9
Presión del aire (bares)	2	2	2	2	2	2	2
Caudal de aire (l/min)	≤730	≤730	≤730	≤730	≤730	≤730	≤730

### Declaración de ruidos

	SB 52	SB 102	SB 152	SB 202	SB 302	SB 452	SB 552
Presión acústica <sup>1</sup> dB(A)	89	87	86	90	91	94	98
Potencia acústica <sup>2</sup> dB(A)	117	115	114	118	119	122	126

<sup>1</sup> Nivel de presión acústica de acuerdo con la EN ISO 3744 y conforme a la directiva 2000/14/CE a 10 metros de distancia.

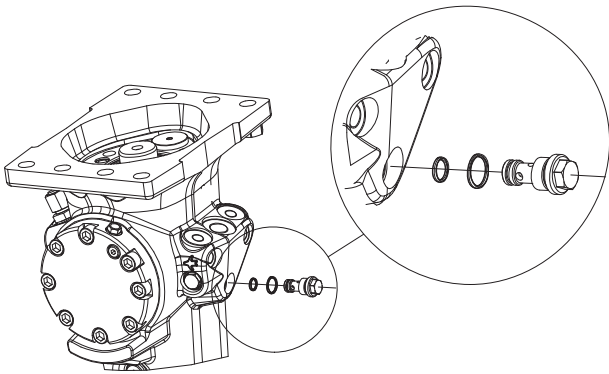
<sup>2</sup> Potencia acústica garantizada conforme a la EN ISO 3744 y de acuerdo con la directiva 2000/14/CE, incluido el margen de producción.

### Diagramas de flujo para la adecuada presión de funcionamiento

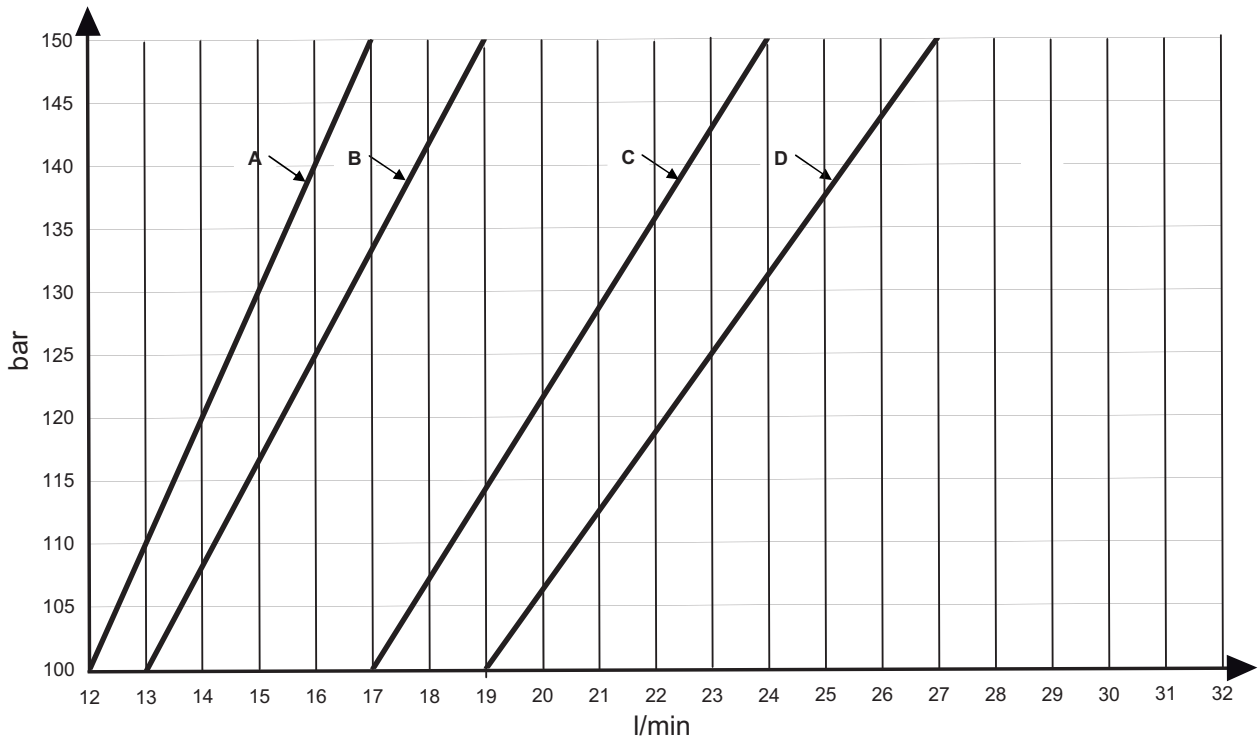
El caudal de aceite del vehículo portador puede reducirse para lograr la presión de funcionamiento correcta. Los limitadores pueden pedirse en el listado de piezas de repuesto.

El diagrama muestra el caudal del aceite con una viscosidad de 32 cSt.



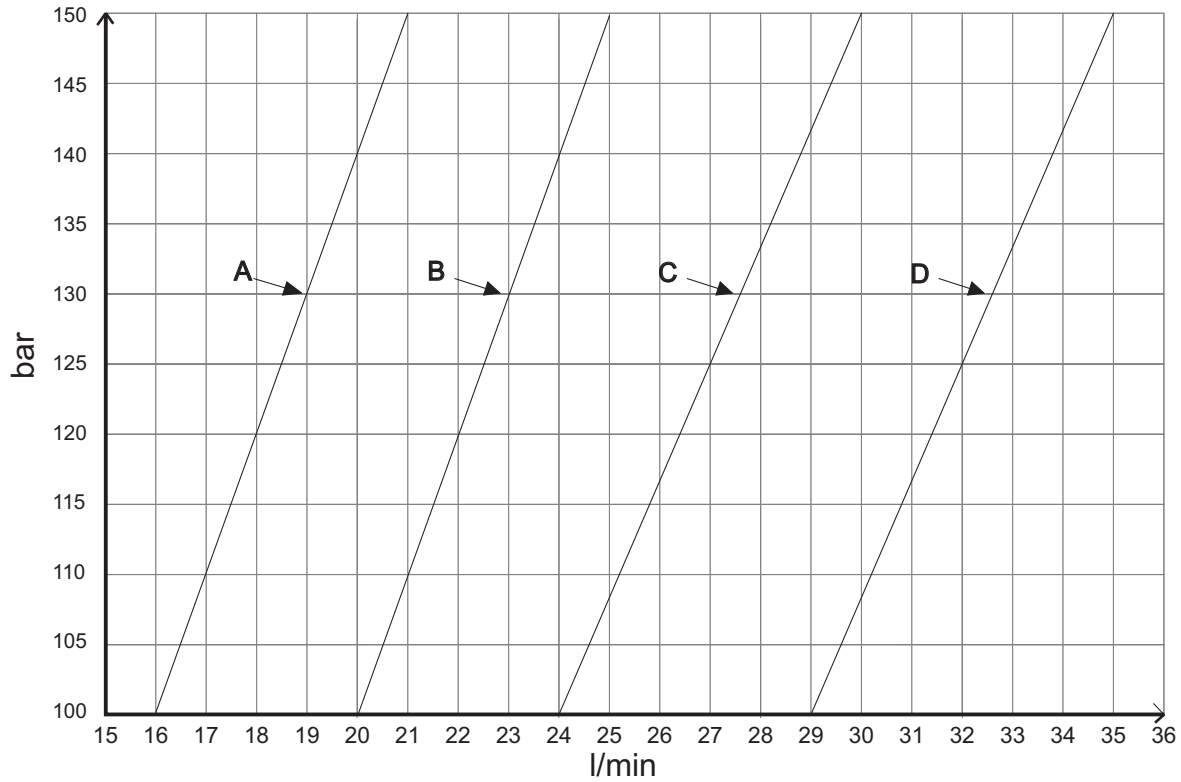


**SB 52: 100–150 bares**



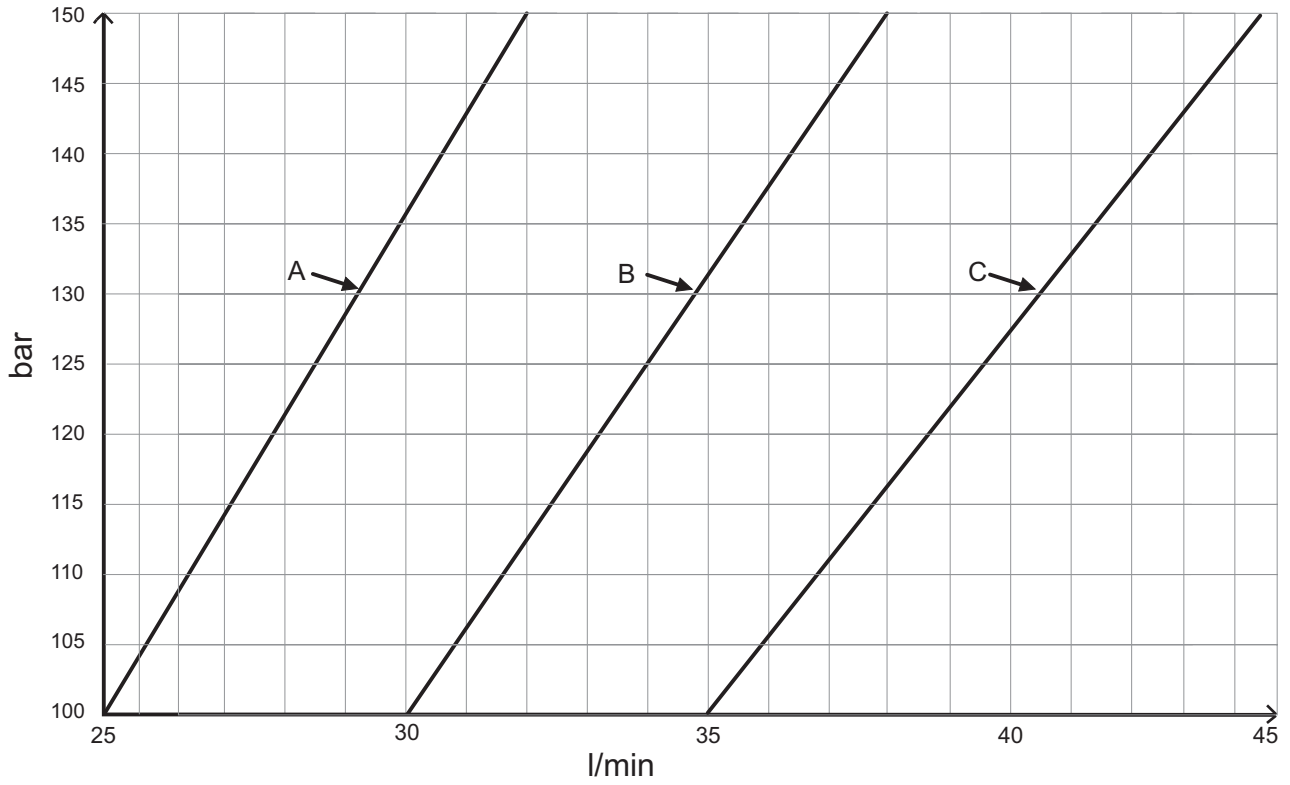
Limitador	Nº. de pedido	Limitador	Nº. de pedido
A	3315 2875 22	C	3315 2875 36
B	3315 2875 24	D (estándar)	3315 2875 37

**SB 102: 100–150 bares**



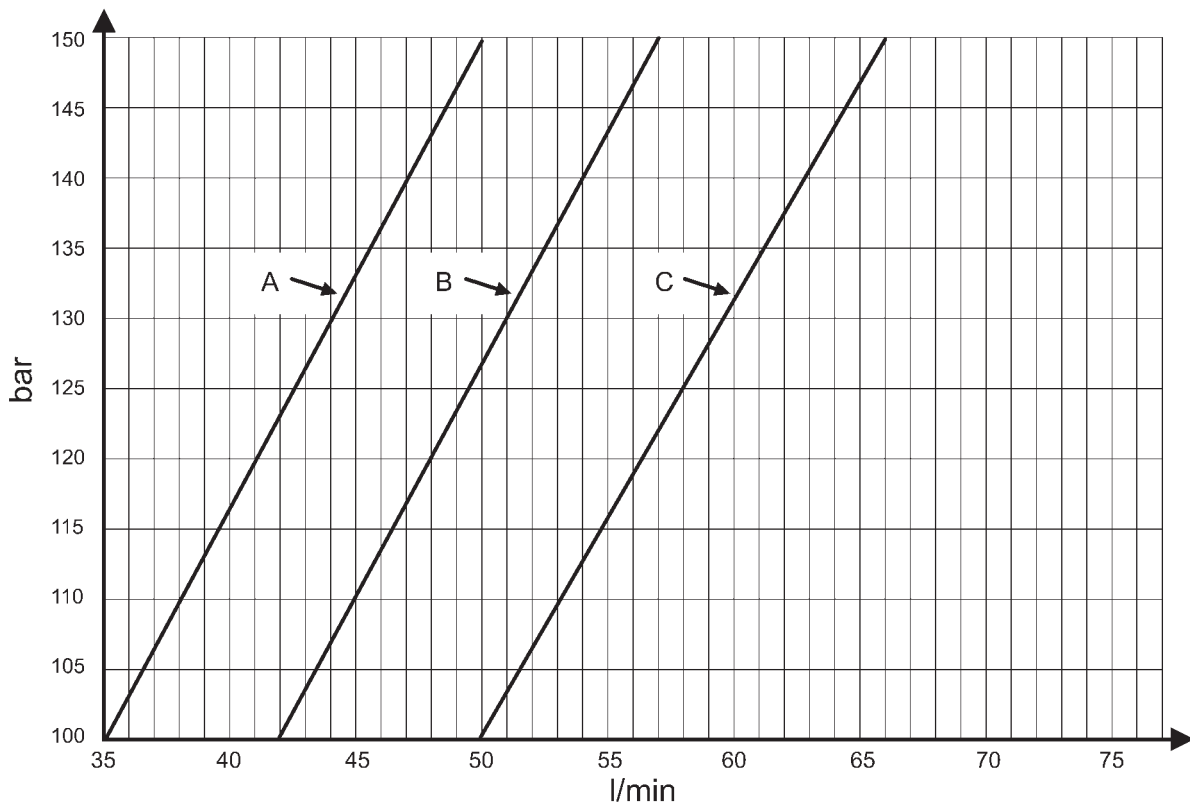
Limitador	Nº. de pedido	Limitador	Nº. de pedido
A	3315 2875 36	C	3315 2875 38
B	3315 2875 37	D (estándar)	3315 2875 35

**SB 152: 100–150 bares**



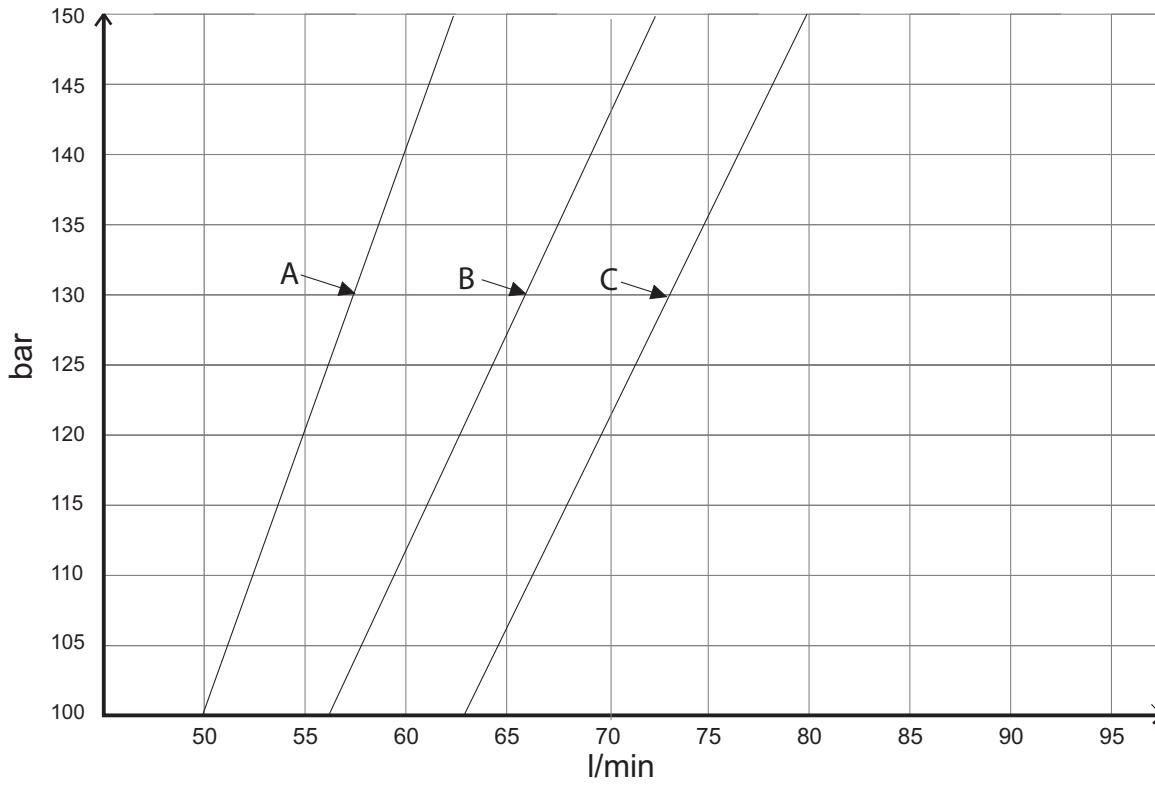
Limitador	Nº. de pedido	Limitador	Nº. de pedido
A	3315 2875 40	C (estándar)	3315 2875 51
B	3315 2875 35		

**SB 202: 100–150 bares**



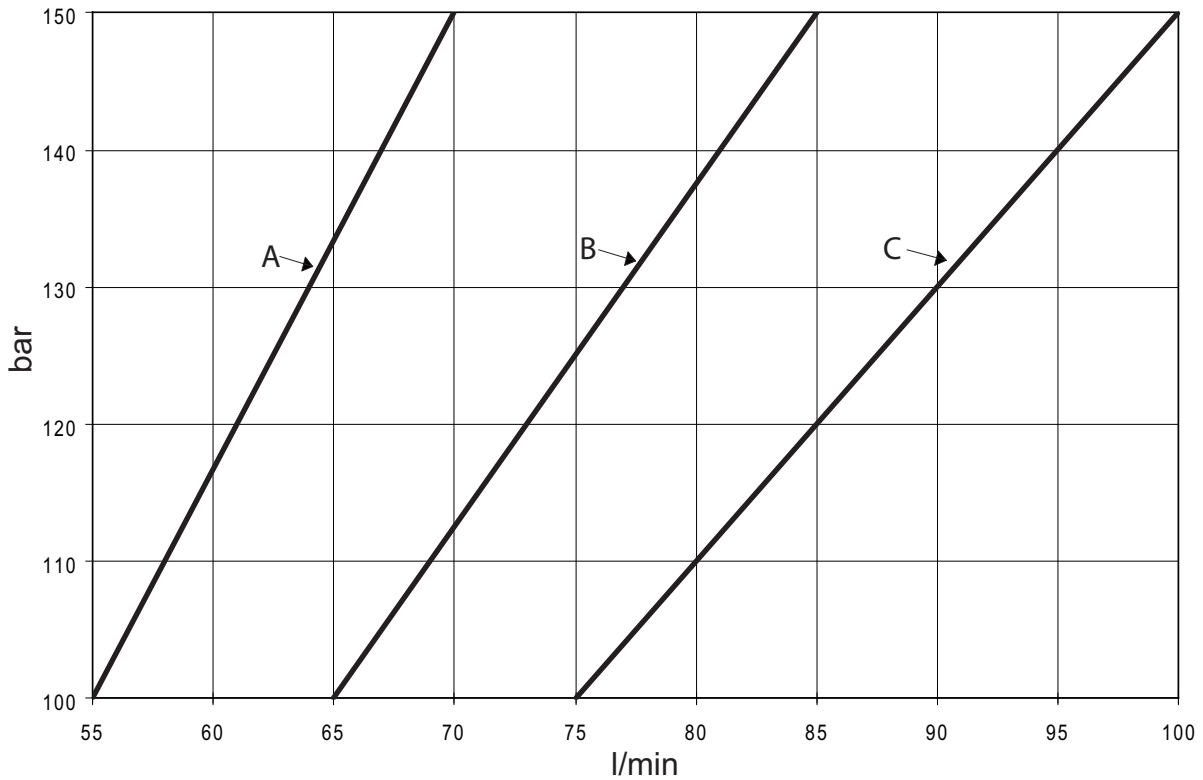
Limitador	Nº. de pedido	Limitador	Nº. de pedido
A	3315 2875 45	C (estándar)	3315 3040 80
B	3315 2875 55		

**SB 302: 100-150 bares**



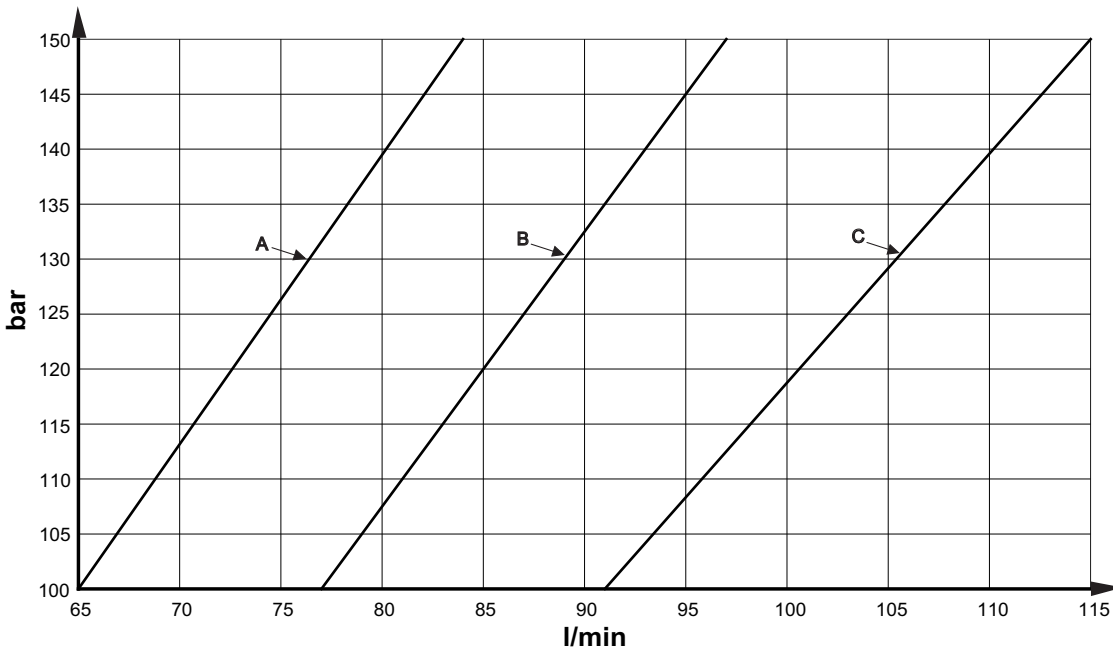
Limitador	Nº. de pedido	Limitador	Nº. de pedido
A	3315 3588 54	C (estándar)	3315 3588 63
B	3315 3152 35		

**SB 452: 100–150 bares**



Limitador	Nº. de pedido	Limitador	Nº. de pedido
A	3315 3152 35	C (estándar)	3315 3152 53
B	3315 3152 45		

**SB 552: 100–150 bares**



Limitador	Nº. de pedido	Limitador	Nº. de pedido
A	3315 3152 35	C (estándar)	3315 3152 55
B	3315 3152 45		



## PORTUGUÊS

## Índice

Introdução.....	115
Acerca das instruções de segurança e operação.....	115
<b>Instruções de segurança.....</b>	<b>116</b>
<b>Palavras de avisos de segurança.....</b>	<b>116</b>
<b>Precauções e habilitações pessoais.....</b>	<b>116</b>
Transporte.....	116
Instalação, armazenamento, manutenção e abate.....	116
Operação.....	116
Ensaios.....	116
Equipamento pessoal de protecção.....	116
Drogas, álcool ou medicamentos.....	117
<b>Transportador, precauções.....</b>	<b>117</b>
<b>Instalação, precauções.....</b>	<b>117</b>
Sistema hidráulico.....	117
Montagem / Desmontagem.....	117
<b>Operação, precauções.....</b>	<b>117</b>
<b>Armazenamento, precauções.....</b>	<b>118</b>
<b>Manutenção, precauções.....</b>	<b>118</b>
<b>Visão geral.....</b>	<b>120</b>
<b>Concepção e função.....</b>	<b>120</b>
<b>Peças principais.....</b>	<b>120</b>
<b>Sinais e autocolantes.....</b>	<b>120</b>
Placa de dados.....	121
Sinal de nível de ruído.....	121
Sinalização no acumulador.....	121
<b>Transporte.....</b>	<b>121</b>
<b>Içar o quebrador hidráulico.....</b>	<b>121</b>
<b>Instalação.....</b>	<b>122</b>
<b>Mangueiras e ligações.....</b>	<b>122</b>
<b>O óleo hidráulico.....</b>	<b>122</b>
<b>Montagem.....</b>	<b>123</b>
<b>Ajuste de pressão.....</b>	<b>124</b>
<b>Descarga de água.....</b>	<b>125</b>
<b>Ferramenta de inserção.....</b>	<b>125</b>
Seleccionar a ferramenta de inserção correcta.....	125
Ponta cónica de labuta.....	125
Escopros e pás.....	125
Ferramenta romba.....	125
Montar e desmontar a ferramenta de inserção.....	125
<b>Operação.....</b>	<b>126</b>
<b>Preparação antes da demolição.....</b>	<b>126</b>
Temperaturas de funcionamento.....	126
RPM do motor.....	126
<b>Funcionamento.....</b>	<b>126</b>
Quebrar.....	126
Demolição debaixo de água.....	128
<b>Manutenção.....</b>	<b>128</b>
<b>De duas em duas horas.....</b>	<b>128</b>
Lubrificar com pistola de lubrificação.....	128



Sistema de lubrificação central.....	129
<b>Diariamente</b> .....	129
<b>Semanalmente</b> .....	129
Limites de desgaste.....	130
Substituição do mancal da ferramenta de trabalho.....	130
<b>Anualmente</b> .....	130
<b>Armazenamento</b> .....	130
<b>Abate</b> .....	130
<b>Dados técnicos</b> .....	131
<b>Dados do equipamento</b> .....	131
<b>Capacidades</b> .....	131
<b>Declaração de ruído</b> .....	131
<b>Diagramas de fluxos para a pressão de funcionamento correcta</b> .....	131
SB 52: 100-150 bar.....	132
SB 102: 100-150 bar.....	133
SB 152: 100-150 bar.....	134
SB 202: 100-150 bar.....	135
SB 302: 100-150 bar.....	136
SB 452: 100-150 bar.....	137
SB 552: 100-150 bar.....	137



## Introdução

Obrigado por escolher um produto da Atlas Copco. Desde 1873 que estamos empenhados em encontrar novas e melhores maneiras para ir ao encontro das necessidades dos nossos clientes. Ao longo dos anos, temos vindo a desenvolver designs de produtos inovadores e ergonómicos que ajudaram os clientes a melhorarem e a racionalizarem o seu trabalho diariamente.

A Atlas Copco tem uma forte rede global de vendas e assistência, que consiste em centros de apoio ao cliente e aos distribuidores espalhados por todo o mundo. Os nossos peritos são profissionais devidamente formados, com um extenso conhecimento dos produtos e experiência na aplicação. Oferecemos, em todos os cantos do mundo, suporte aos produtos e experiência técnica para assegurar que os nossos clientes possam sempre trabalhar com a máxima eficiência.

Para saber mais, visite: [www.atlascopco.com](http://www.atlascopco.com)

## Acerca das instruções de segurança e operação

O objectivo das instruções é fornecer-lhe todas as informações de como utilizar o demolidor hidráulico de uma forma eficiente e segura. As instruções dar-lhe-ão todo o aconselhamento e orientações necessárias de como realizar a manutenção regular do seu demolidor hidráulico.

Antes de utilizar o demolidor hidráulico pela primeira vez deve ler estas instruções cuidadosamente e compreendê-las na sua totalidade.

## Instruções de segurança

Para reduzir o risco de ferimentos graves ou morte para si ou para terceiros, leia estas instruções de segurança antes de utilizar a máquina.

Afixe estas instruções de segurança nos locais de trabalho, forneça cópias aos empregados, e certifique-se de que todos lêem as instruções de segurança antes de utilizar a máquina, ou antes de prestar assistência à máquina.

Cumpra todos os regulamentos de segurança.

## Palavras de avisos de segurança

As palavras de avisos de segurança Perigo, Atenção e Cuidado têm os seguintes significados:

<b>PERIGO</b>	Indica uma situação perigosa, a qual, se não for evitada, irá provocar a morte ou ferimentos graves.
<b>ATENÇÃO</b>	Indica uma situação perigosa, a qual, se não for evitada, poderá provocar a morte ou ferimentos graves.
<b>CUIDADO</b>	Indica uma situação perigosa, a qual, se não for evitada, poderá provocar ferimentos ligeiros ou moderados.

## Precauções e habilitações pessoais

A operação ou manutenção da máquina só pode ser feita por pessoal com as habilitações e a formação necessárias. Faça sempre uso do seu bom senso e da sua capacidade de avaliação das situações.

### Transporte

O transporte do quebrador hidráulico só pode ser levado a cabo por pessoas que:

- estejam autorizadas a operar uma grua ou empilhador em conformidade com as directivas nacionais aplicáveis,
- estejam a par de todas as instruções de segurança e de prevenção de acidentes a nível nacional
- e tenham lido e compreendido os capítulos referentes à segurança e ao transporte deste manual.

### Instalação, armazenamento, manutenção e abate

A instalação, o armazenamento, a manutenção e o abate do quebrador hidráulico só podem ser levados a cabo por pessoas que:

- estejam a par de todas as instruções de segurança e de prevenção de acidentes a nível nacional
- e tenham lido e compreendido as instruções de segurança e operação.

### Operação

A operação do quebrador hidráulico só pode ser levada a cabo por operadores de transportadores qualificados. Os operadores de transportadores encontram-se habilitados caso:

- tenham formação para operar um transportador em conformidade com as directivas nacionais,
- estejam a par de todas as instruções de segurança e de prevenção de acidentes a nível nacional
- e tenham lido e compreendido as instruções de segurança e operação.

### Ensaios

Os ensaios do quebrador hidráulico só podem ser levados a cabo por técnicos profissionais. Os técnicos têm de estar autorizados a operar um sistema hidráulico de acordo com as directivas nacionais.

### Equipamento pessoal de protecção

Use sempre equipamento de protecção aprovado. Os operadores, bem como todas as outras pessoas que se encontrem na zona de trabalho, devem usar equipamento de protecção, incluindo, no mínimo:

- Capacete protector
- Protecção auricular
- Protecção para os olhos, resistente ao impacto e com protecção lateral
- Protecção respiratória, quando necessário
- Luvas protectoras
- Botas protectoras adequadas

## Drogas, álcool ou medicamentos

### ▲ ATENÇÃO Drogas, álcool ou medicamentos

Drogas, álcool ou medicamentos podem reduzir a sua capacidade de avaliação e de concentração. Reações lentas e avaliações incorrectas podem provocar acidentes graves ou morte.

- ▶ Nunca use a máquina quando estiver cansado ou se tiver tomado drogas, álcool ou medicamentos.
- ▶ Ninguém que tenha tomado drogas, álcool ou medicamentos pode operar a máquina.

## Transportador, precauções

Antes de utilizar ou transportar o transportador com o quebrador hidráulico ligado leia, cuidadosamente, os regulamentos de segurança e as instruções de funcionamento.

Assegure-se de que o transportador está equipado com características protectoras adequadas, incluindo uma grelha protectora à frente do operador.

O quebrador hidráulico só deverá ser montado num transportador com uma capacidade de carga suficiente.

Transportadores sem uma capacidade de carga suficiente não proporcionarão o grau de estabilidade exigido e poderão, até, cair durante a utilização do quebrador hidráulico, causando danos físicos e estragos.

## Instalação, precauções

### Sistema hidráulico

#### ▲ PERIGO Gas comprimido, perigo de explosão

O acumulador está pressurizado mesmo quando o sistema hidráulico está desligado. Desmontar o acumulador sem antes libertar o gás azoto poderá provocar danos físicos graves ou a morte.

- ▶ Encher o acumulador de alta pressão com azoto (N<sub>2</sub>) apenas.
- ▶ Só o pessoal autorizado está qualificado para trabalhar com o acumulador.

#### ▲ ATENÇÃO Óleo hidráulico a alta pressão

Jactos finos de óleo hidráulico a alta pressão podem penetrar na pele e provocar danos permanentes.

- ▶ Se óleo hidráulico tiver penetrado na pele, consulte imediatamente um médico.
- ▶ Nunca use as mãos para detectar fugas de óleo.
- ▶ Mantenha a sua face longe de possíveis fugas.

#### ▲ ATENÇÃO Óleo hidráulico

Óleo hidráulico derramado poderá provocar acidentes ao criar situações escorregadias, para além de causar danos ambientais.

- ▶ Trate do óleo hidráulico entornado e elimine-o de acordo com as suas regulamentações ambientais e de segurança locais.
- ▶ Nunca desmonte o quebrador hidráulico enquanto o óleo hidráulico estiver quente.
- ▶ Nunca corra cabos hidráulicos para anexo ao quebrador hidráulico por meio da cabina do condutor.

#### ▲ CUIDADO Eczema da pele

O óleo hidráulico pode causar eczema quando entra em contacto com a pele.

- ▶ Evite o contacto do óleo hidráulico com as suas mãos.
- ▶ Utilize sempre luvas protectoras quando trabalhar com óleo hidráulico.

### Montagem / Desmontagem

#### ▲ ATENÇÃO Peças móveis

Risco de esmagamento das mãos e dedos.

- ▶ Nunca verifique os orifícios ou passagens com as mãos ou os dedos.
- ▶ A lança só deverá ser movimentada em cooperação com o pessoal que está a montar o quebrador hidráulico.
- ▶ Se o quebrador hidráulico estiver montado num engate rápido, assegure-se de que este está muito bem preso e de que foram eliminados todos os riscos de o quebrador hidráulico se soltar.

## Operação, precauções

#### ▲ PERIGO Perigo de explosão

Se uma ferramenta de inserção quente entrar em contacto com materiais explosivos ou com gases explosivos, poderá ocorrer uma explosão. Durante a operação com certos materiais, podem ocorrer fagulhas e dar-se uma ignição. As explosões podem provocar ferimentos graves ou morte.

- ▶ Nunca opere a máquina num ambiente explosivo.
- ▶ Nunca use a máquina ao pé de materiais inflamáveis, vapores inflamáveis ou poeiras.
- ▶ Certifique-se de que não existem fontes de gás ou explosivos ocultos.

**▲ ATENÇÃO Pressão de funcionamento**

Se for excedida a pressão máxima de funcionamento para o quebrador hidráulico, o acumulador poderá ficar sobrecarregado, daí podendo resultar danos materiais e ferimentos pessoais.

- ▶ Utilize, sempre, o quebrador hidráulico com a pressão de trabalho correcta. Consulte “Dados Técnicos”.

**▲ ATENÇÃO Risco de sílica**

A exposição à sílica cristalina (designada, por vezes, ‘poeira de sílica’) resultante da demolição ou de outras actividades que envolvam pedras, betão, asfalto ou outros materiais pode provocar silicose (uma grave doença pulmonar), doenças relacionadas com a silicose, cancro ou morte. A sílica é um importante componente das pedras, areia e minérios.

- ▶ Os quebradores SB estão preparados para a supressão de poeiras, para reduzir a exposição à sílica.

**▲ ATENÇÃO Perigo de pó**

Alguns pós, vapores ou outros materiais em suspensão no ar que são criados durante a utilização da máquina, podem conter substâncias químicas que, de acordo com o Estado da Califórnia, provocam cancro e defeitos congénitos ou outros danos reprodutivos. Alguns exemplos dessas substâncias químicas são:

- A sílica cristalina, o cimento e outros produtos de alvenaria.
- Arsénico e crómio da borracha quimicamente tratada.
- Chumbo de tintas com base de chumbo.
- ▶ Para reduzir a sua exposição a estas substâncias químicas, trabalhe numa área bem ventilada e use equipamento pessoal de protecção do tipo aprovado, tal como máscaras anti-poeira especificamente concebidas para filtrar partículas microscópicas.

**▲ ATENÇÃO Choque eléctrico**

O quebrador hidráulico não se encontra isolado contra corrente eléctrica. Se o quebrador hidráulico entrar em contacto com os circuitos eléctricos ou outras fontes de energia eléctrica, existe o risco de ferimentos graves ou morte.

- ▶ Nunca trabalhe na proximidade de circuitos eléctricos ou outras fontes de energia eléctrica.
- ▶ Assegure-se de que não existem circuitos eléctricos escondidos na sua área de trabalho.

**▲ ATENÇÃO Projécteis**

Durante a demolição, lascas ou outras partículas poderão transformar-se em projécteis e causar danos físicos ao atingir o operador ou outras pessoas. Pequenos objectos a caírem de grandes alturas podem provocar danos extensos.

- ▶ Bloqueie a área de trabalho.
- ▶ Antes de começar, assegure-se de que não há ninguém na zona de perigo, (20 metros) a nível horizontal e vertical do quebrador hidráulico.
- ▶ Desligue imediatamente o quebrador hidráulico quando estiverem pessoas presentes na área de perigo.

**▲ ATENÇÃO Perigo de ruído**

Os níveis elevados de som podem provocar a perda permanente de audição.

- ▶ Use protecção auditiva de acordo com os regulamentos sobre a saúde e segurança no trabalho.

## Armazenamento, precauções

**▲ ATENÇÃO O quebrador hidráulico e a ferramenta de trabalho são pesados**

- ▶ Armazene o quebrador hidráulico e a ferramenta de trabalho no sentido de evitar que tombem ou rolem.

## Manutenção, precauções

**▲ ATENÇÃO Arranque involuntário**

Um arranque involuntário do quebrador hidráulico poderá levar a ferimentos graves.

- ▶ Siga as instruções do manual do transportador no sentido de evitar um arranque involuntário do quebrador hidráulico.
- ▶ A instalação de um circuito de arranque no quebrador hidráulico deve ser feita de modo a evitar arranques acidentais.
- ▶ Um pedal no carregador tem de estar equipado com uma tampa de protecção.

**▲ ATENÇÃO Sistema hidráulico a alta pressão**

O trabalho de manutenção do quebrador hidráulico poderá levar a ferimentos graves. As ligações podem, de repente, soltar-se, as peças também e o óleo hidráulico pode ser ejectado.

- ▶ Depressurize o sistema hidráulico antes de realizar a manutenção do quebrador hidráulico ou do transportador.

**▲ ATENÇÃO Modificação da máquina**

Qualquer modificação da máquina poderá resultar em ferimentos corporais para si e para outras pessoas.

- ▶ Nunca faça modificações à máquina.
- ▶ Utilize sempre peças e acessórios originais aprovados pela Atlas Copco.

**▲ CUIDADO Ferramenta de inserção quente**

A ponta da ferramenta de inserção fica quente quando está a ser usada. Se lhe tocar, pode sofrer queimaduras.

- ▶ Nunca toque numa ferramenta de inserção quente.
- ▶ Espere até que a ferramenta de inserção tenha arrefecido, antes de fazer tarefas de manutenção.

## Visão geral

Para reduzir o risco de ferimentos graves ou morte para si ou para terceiros, antes de usar a máquina leia a seção das Instruções de Segurança, que está nas páginas anteriores deste manual.

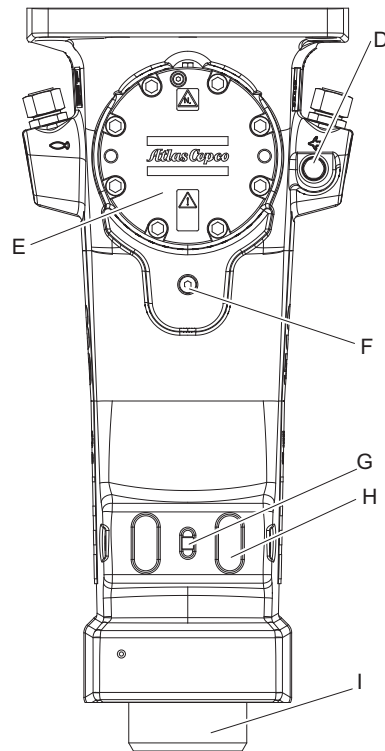
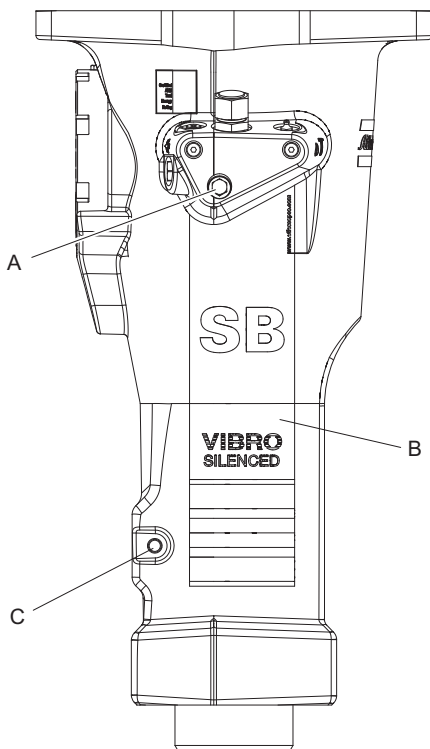
## Concepção e função

SB é uma gama de quebradores hidráulicos, com montagem em plataforma, concebidos para todo o tipo de trabalhos de demolição.

SB significa Corpo Sólido, o que quer dizer que o corpo do quebrador é de uma só peça. O acumulador está integrado no corpo.

O quebrador hidráulico é operado a partir da cabina do condutor do equipamento, por meio do sistema hidráulico do próprio equipamento. A frequência do quebrador é controlada pelo fluxo de óleo a partir do transportador.

## Peças principais



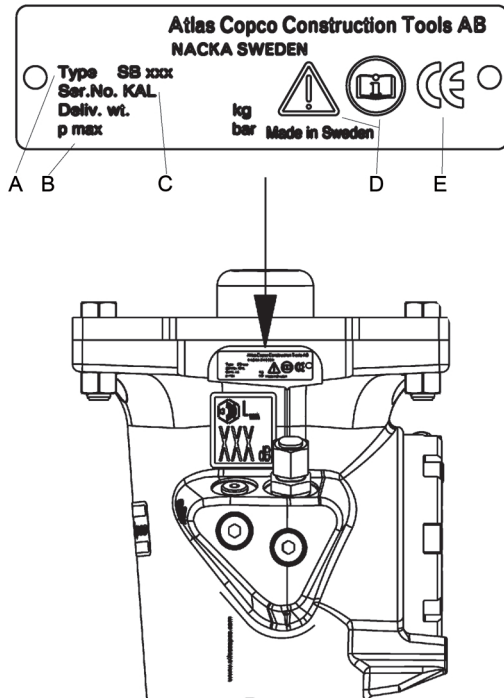
- A. Restritor
- B. Corpo do martelo
- C. Cavilha de segurança
- D. Válvula limitadora de pressão
- E. Acumulador
- F. Tampão de drenagem de óleo
- G. Amortecedor de travagem
- H. Retentor da ferramenta
- I. Casquilho

## Sinais e autocolantes

A máquina está equipada com sinais e autocolantes que mostram informação importante sobre a segurança pessoal do operador e a manutenção da máquina. Os sinais e autocolantes devem estar sempre em bom estado e ser fáceis de ler. Pode encomendar novos sinais e autocolantes utilizando a lista de peças sobresselentes.

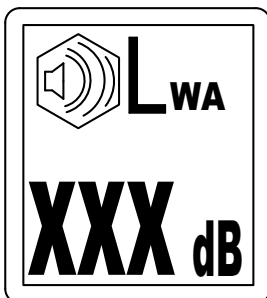


## Placa de dados



- A. Tipo de equipamento
- B. Pressão hidráulica máxima
- C. Número de série
- D. O símbolo de atenção, juntamente com o livro de símbolos, significa que o utilizador tem de ler as instruções de segurança e operação antes de o equipamento ser utilizado pela primeira vez.
- E. O símbolo CE significa que o equipamento está aprovado pela CE. Consulte a Declaração CE que é fornecida com o equipamento para obter informações mais pormenorizadas.

## Sinal de nível de ruído



O autocolante indica o nível de ruído garantido que corresponde à Directiva-EC 2000/14/EC. Veja os "Dados técnicos" para saber o nível de ruído exacto.

## Sinalização no acumulador



Antes de fazer a assistência ou de o mudar, leia cuidadosamente as instruções de referentes à reparação.



O acumulador só deve ser carregado com Azoto.  
**ATENÇÃO!** Só o pessoal autorizado está qualificado para trabalhar com o acumulador.

## Transporte

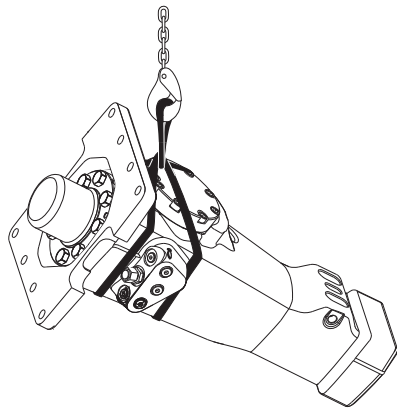
### Içar o quebrador hidráulico

**▲ ATENÇÃO** Um quebrador que tenha caído pode causar ferimentos

- O quebrador hidráulico deverá ser colocado numa posição segura, em que não possa tombar e causar danos.

Durante o transporte do quebrador hidráulico ou quando fizer trabalhos de manutenção ou de outro tipo, verifique, cuidadosamente, se o equipamento transportador está suficientemente estável.

O quebrador hidráulico é entregue numa caixa. Para içar o quebrador hidráulico de um modo seguro, prenda a correia de içamento do modo indicado na imagem.



## Instalação

Antes de instalar o quebrador hidráulico no transportador ou de o operar, leia o manual de operações e as instruções de segurança fornecidas pelo fabricante do transportador. Siga as instruções.

O transportador deverá possuir o sistema hidráulico apropriado para a operação do quebrador.

Se o transportador for demasiado grande para o quebrador hidráulico, poderá resultar em ferramentas quebradas e um desgaste acrescido. Consulte “Dados técnicos” para escolher o transportador adequado.

O equipamento de segurança do sistema hidráulico tem de ser verificado ao nível da qualidade (CE, etc.), adequabilidade e funcionalidade por um supervisor profissional/autorizado antes da sua utilização.

## Mangueiras e ligações

### ⚠ ATENÇÃO Agitar as mangueiras hidráulicas

As mangueiras hidráulicas sob pressão podem movimentar-se incontrolavelmente se os parafusos ficarem soltos ou forem desapertados. Uma mangueira hidráulica em movimento e descontrolada pode causar danos graves.

- ▶ Despressurize o sistema hidráulico antes de desapertar a ligação de uma mangueira hidráulica.
- ▶ Aperte as porcas nas ligações das mangueiras hidráulicas até ao binário necessário.

Tipo de bocal: Bocal padrão ORFS da Atlas Copco. As dimensões do bocal podem ser encontradas nas listas de peças sobresselentes.

Ao conectar o quebrador ao transportador, as mangueiras hidráulicas devem ser de qualidade 2SC (de acordo com a EN 857) ou melhor. Se forem utilizados engates rápidos, recomendamos o uso de um engate rápido “Face Chata”. Este tipo é robusto e de limpeza fácil. A classe de pressão dos engates

rápidos deve estar de acordo com a pressão de trabalho do transportador.

Limpe sempre os engates rápidos antes da montagem e desmontagem. Ao desmontar feche sempre as mangueiras e bocais de mangueira com tampões justos e limpos.

### Ligações de mangueira Direita (visto do lugar do operador)

	Descarga de ar	Lubrificação central	Tanque, linha de retorno
Símbolo			
SB 52	G 1/4"	G 1/4"	G 3/8"
SB 102	G 1/4"	G 1/4"	G 1/2"
SB 152	G 1/4"	G 1/4"	G 1/2"
SB 202	G 1/4"	G 1/4"	G 1/2"
SB 302	G 1/4"	G 1/4"	G 3/4"
SB 452	G 1/4"	G 1/4"	G 3/4"
SB 552	G 1/4"	G 1/4"	G 1"

### Ligações de mangueira Esquerda (visto do lugar do operador)

	Água	Pressão ao quebrador	Pressão para ContiLube®II
Símbolo			
SB 52	-	G 3/8"	G 1/4"
SB 102	-	G 1/2"	G 1/4"
SB 152	G 1/4"	G 1/2"	G 1/4"
SB 202	G 1/4"	G 1/2"	G 1/4"
SB 302	G 1/4"	G 3/4"	G 1/4"
SB 452	G 1/4"	G 3/4"	G 1/4"
SB 552	G 1/4"	G 1"	G 1/4"

### Binário de aperto para pressão e de retorno

SB 52	60 Nm
SB 102	150 Nm
SB 152	150 Nm
SB 202	150 Nm
SB 302	210 Nm
SB 452	210 Nm
SB 552	300 Nm

## O óleo hidráulico

Normalmente, o tipo de óleo hidráulico que o transportador está a usar funciona, também, no quebrador hidráulico.

Quando um quebrador hidráulico está conectado ao transportador, o óleo hidráulico ficará sujo mais depressa. Verifique e siga as instruções do transportador para mudar o óleo e o filtro. É normal

mudar o filtro de óleo mais frequentemente quando está instalado um quebrador hidráulico.

Os quebradores hidráulicos SB estão equipados com um tampão de óleo para drenar o óleo todo antes da desmontagem. Isto para reduzir os riscos de derramar óleo.

**ATENÇÃO!** Quando o quebrador SB é entregue contém algum óleo hidráulico de base mineral. Antes de fazer a conexão ao sistema hidráulico do transportador, verifique qual é o tipo de óleo que o transportador está a usar. Misturar tipos diferentes de óleo hidráulico poderá destruir a qualidade de lubrificação, provocando danos no equipamento.

## Montagem

### ▲ ATENÇÃO Um quebrador que tenha caído pode causar ferimentos

- ▶ O quebrador hidráulico deverá ser colocado numa posição segura, em que não possa tombar e causar danos.

Antes de conectar o quebrador hidráulico faça circular o óleo hidráulico. Isto serve para garantir que o óleo hidráulico está limpo. Use a mesma rotina quando mudar a mangueira de óleo hidráulico. Para mais informações, consulte "O óleo hidráulico".

1. Ligue a mangueira de pressão e de retorno.

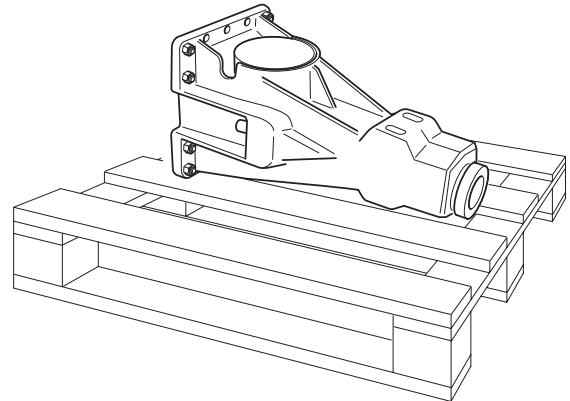


2. Faça passar o óleo hidráulico através do filtro de óleo do transportador durante aproximadamente 3 minutos, para garantir que as mangueiras estão limpas.

### Preparação

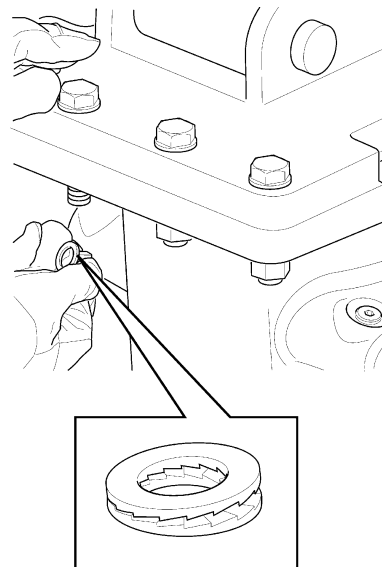
1. Colocar o quebrador numa posição em que seja fácil e seguro montar a placa adaptadora.

**ATENÇÃO!** Montar o martelo de modo a que o acumulador fique de frente para a cabina do operador, para reduzir o risco de danos no acumulador.



### Montar a placa de adaptação

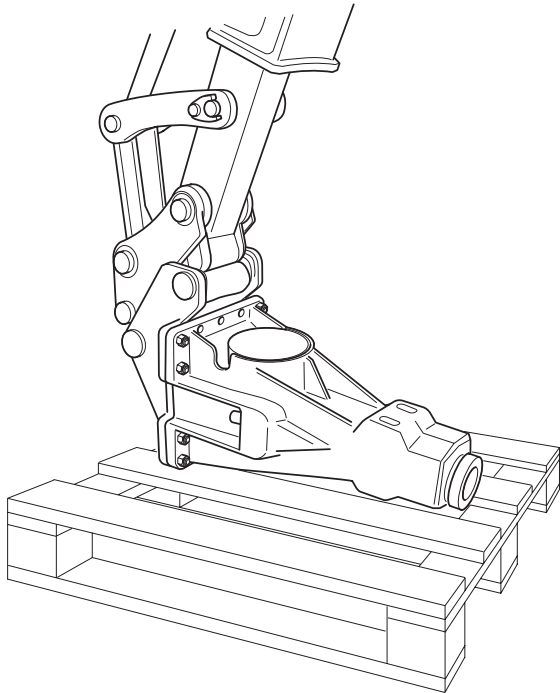
2. Se o parafuso de bloqueio Tough não estiver disponível, recomendamos a utilização de anilhas NORD-LOCK™ sob o parafuso e a porca (NORD-LOCK™ é uma marca registada da Nord-Lock AB nos Estados Unidos e/ou outros países.).



Placa de adaptação	Binário de aperto
SB 52	290 Nm
SB 102	200 Nm
SB 152	200 Nm
SB 202	200 Nm
SB 302	170 Nm
SB 452	400 Nm
SB 552	400 Nm

*Conectar o quebrador ao transportador*

- Na instalação, coloque o quebrador de um modo seguro.



A entrada de pressão no quebrador hidráulico fica do lado esquerdo, quando se está de frente para o acumulador. Se a mangueira de pressão está do outro lado do braço do balde, pode cruzar as mangueiras ou ligar o quebrador hidráulico.

- Baixe, cuidadosamente, a vara da lança para dentro do adaptador.

**▲ ATENÇÃO** As peças móveis pode partir-se e cortar

- Nunca verifique os orifícios ou passagens com as mãos ou os dedos.

Um assistente deverá dirigir os movimentos do braço do balde até que as perfurações do braço do balde estejam ao mesmo nível dos do adaptador.

Combine com o assistente acerca de uma linguagem gestual clara a ser utilizada durante o procedimento de montagem.

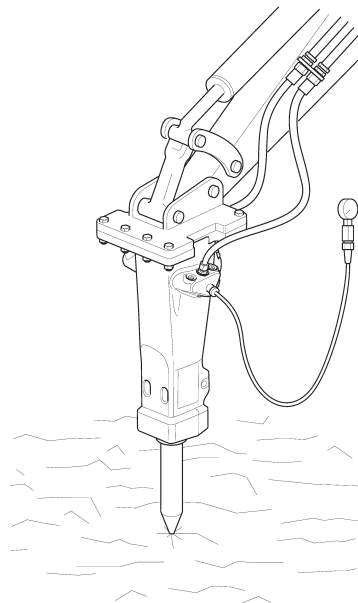
- Insira o pino e o retentor.
- Ice o quebrador hidráulico usando a lança.
- Estique o cilindro do balde até que o orifício da alavanca articulada esteja ao mesmo nível dos do adaptador. Insira o pino e o retentor da alavanca articulada.

- Depois do martelo hidráulico montado, estenda e retraia o cilindro até à sua extensão máxima em cada direcção. É importante que o cilindro possa ser esticado e retraído ao máximo, sem dificuldade.

## Ajuste de pressão

Os quebradores SB estão equipados com uma válvula de libertação de pressão, que protege o quebrador. Durante o funcionamento do quebrador hidráulico, a pressão de funcionamento do quebrador hidráulico (máx. 150 bar) é verificada e ajustada com um manómetro.

- Se a pressão de funcionamento for superior a 150 bar a pressão deve ser diminuída. Reduza o fluxo de óleo que vem da escavadora até que a pressão desça aos 150 bar. Este ajuste é importante para garantir que a válvula de libertação de pressão incorporada no quebrador não abre, largando óleo para o tanque e criando problemas de aquecimento.
- Se a pressão de funcionamento estiver entre os 130-150 bar não é preciso, normalmente, fazer ajustes.
- Se o fluxo de óleo do transportador está demasiado baixo para manter uma pressão de funcionamento aceitável, o restritor do quebrador precisa de ser mudado. Consulte os diagramas de fluxo em “Dados técnicos” para escolher o melhor restritor para a sua aplicação.



Posicione o quebrador hidráulico verticalmente, em direcção a um leito rochoso ou similar, e ajuste a pressão por meio de um manómetro.

## Descarga de água

O quebrador hidráulico está preparado para descarga de água; esta função serve para agregar as poeiras durante as operações de demolição.

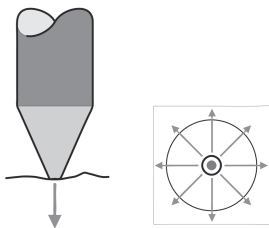
Quando conectar a descarga de água, o tampão da parte da frente do quebrador deve ser trocado por um pulverizador de água. Consulte a lista de peças sobresselente para encomendar um novo bocal de água.

A mangueira de água apropriada é uma mangueira hidráulica de 1/4" com uma conexão JIC. O consumo de água a 4 bar é de 6,6 l/min. Para mais instruções, contacte o agente da Atlas Copco mais perto de si.

## Ferramenta de inserção

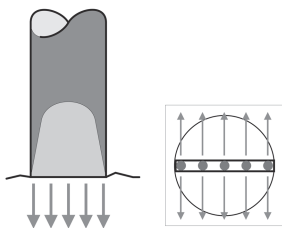
### Seleccionar a ferramenta de inserção correcta

#### Ponta cónica de labuta



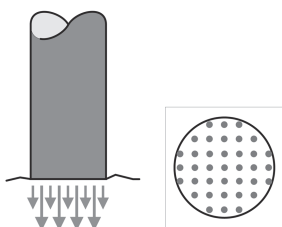
- Penetração muito boa
- Grande amplitude da acção de cunha
- Sem efeito binário

#### Escopros e pás



- Muito boa amplitude da acção de cunha
- Boa penetração
- Efeito binário

#### Ferramenta romba



- Muito boa aplicação da energia
- Máximo efeito de quebra
- Sem efeito binário

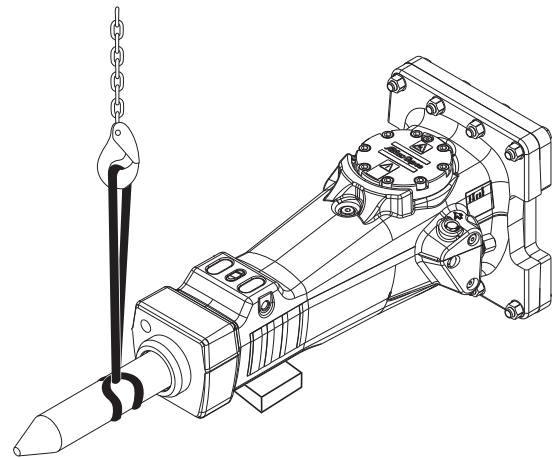
### Montar e desmontar a ferramenta de inserção

#### ⚠ ATENÇÃO Motor de em funcionamento

Mudar a ferramenta inserida com o motor do transportador em funcionamento poderá causar danos físicos graves.

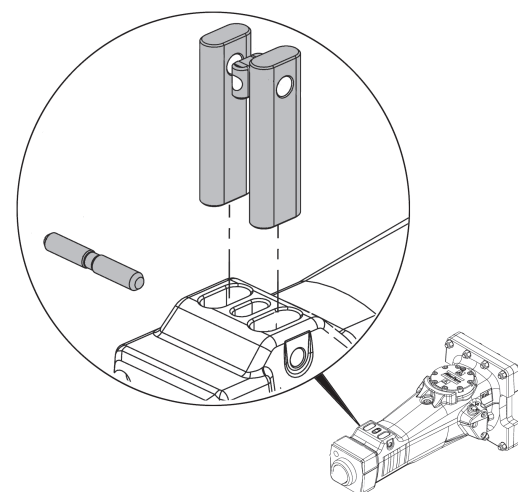
- ▶ Proteja o transportador contra uma activação involuntária.

1. Desligue sempre o motor do transportador antes de mudar a ferramenta inserida.
2. Monte (e desmonte) a ferramenta inserida com uma correia de elevação para reduzir o risco de esmagamento de partes do corpo.



Algumas ferramentas de inserção são pesadas, por isso, levante a ferramenta inserida de forma segura.

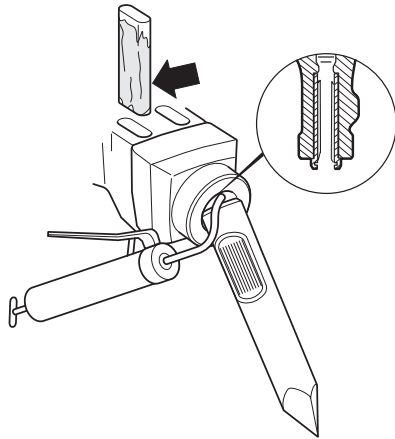
3. Verifique se o amortecedor dos retentores não está gasto ou danificado.



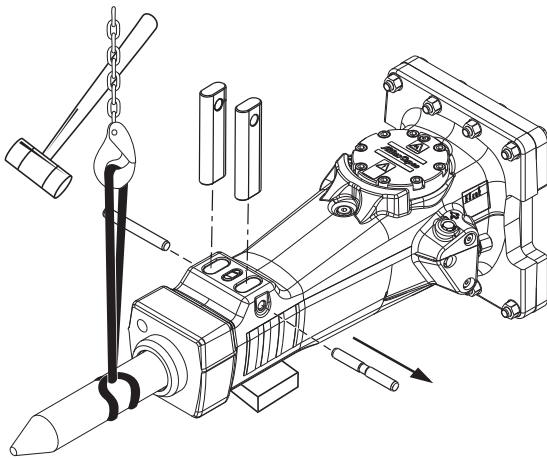
O amortecedor dos retentores da ferramenta é feito de plástico e pode derreter ao funcionar num ambiente quente. Se isto ocorrer, mude a cavilha de travamento normal. Na lista de peças

sobresselantes encontrará uma cavilha de mola, opcional, que poderá usar em sua substituição.

- Limpe e lubrifique bem o casquilho. Isto é particularmente importante quando estiver a montar uma nova ferramenta de inserção.



- Monte a ferramenta de inserção.
- Gire a ferramenta de inserção para espalhar o lubrificante.
- Monte os retentores da ferramenta, um a um.
- Gire a cavilha até o amortecedor de travamento ficar fixo na ranhura.



A ferramenta de inserção é desmontada do modo inverso às instruções de montagem.

## Operação

**ATENÇÃO!** O quebrador hidráulico ou a ferramenta de trabalho não devem ser usados como dispositivos elevatórios. Use o gancho do braço escavador para içar componentes pesados.

## Preparação antes da demolição

### Temperaturas de funcionamento

As temperaturas de funcionamento do quebrador hidráulico encontram-se entre  $-20^{\circ}\text{C}$  e  $+80^{\circ}\text{C}$ .

#### ▲ CUIDADO Perigo da temperatura

O quebrador hidráulico e o sistema de óleo hidráulico do transportador podem ficar danificados se o quebrador hidráulico for utilizado acima ou abaixo da gama de temperaturas.

- ▶ Não ponha o quebrador hidráulico em funcionamento enquanto o óleo hidráulico não tiver atingido a temperatura de funcionamento correcta.
- ▶ Caso a temperatura do exterior esteja abaixo dos  $-20^{\circ}\text{C}$ , deverá aquecer a ferramenta de trabalho e o quebrador hidráulico antes da respectiva utilização.
- ▶ Caso a temperatura do óleo exceda os  $+80^{\circ}\text{C}$ , não poderá utilizar o quebrador hidráulico uma vez que a qualidade do óleo se torna inadequada reduzindo a vida das juntas e dos vedantes em O.

### RPM do motor

Um valor excessivo de rpm do motor leva a um maior consumo de óleo e a um aumento da temperatura do óleo. Adapte as rpm do motor ao valor recomendado, de modo a obter o fluxo correcto de óleo de funcionamento.

## Funcionamento

### Quebrar

#### ▲ CUIDADO Riscos do equipamento e da ferramenta

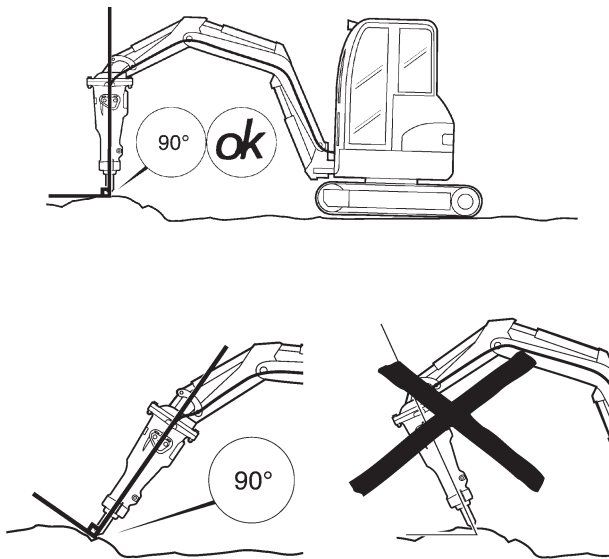
Um funcionamento continuado com uma extensão/retracção completa poderá resultar em danos nos cilindros hidráulicos.

- ▶ Evite, sempre, operar o quebrador com os cilindros totalmente esticados ou retraídos.
- ▶ Reposicione o transportador e/ou a lança para evitar que os cilindros fiquem totalmente estendidos ou retraídos.
- ▶ Preste atenção e olhe para aquilo que está a fazer.

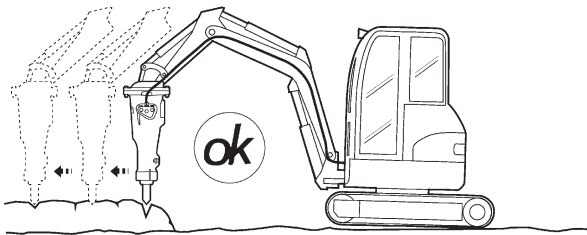


Só faça o arranque do quebrador hidráulico depois de tanto o transportador como o quebrador hidráulico estarem na posição correcta.

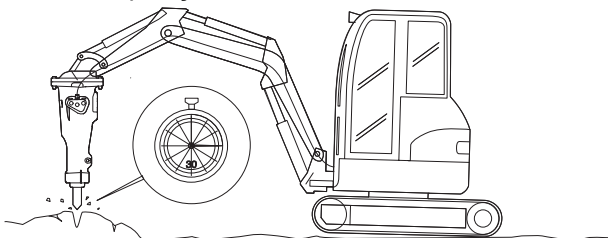
- ◆ Direcione o quebrador hidráulico numa posição de 90° em direcção ao objecto.



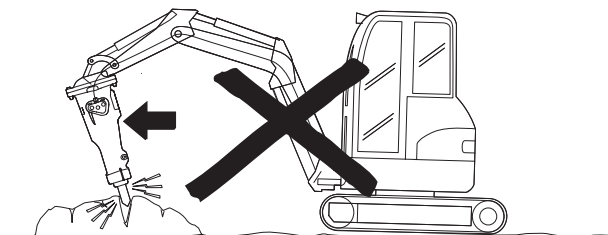
- ◆ Comece junto à borda e vá avançando em direcção ao meio. Não comece no meio de objectos grandes.



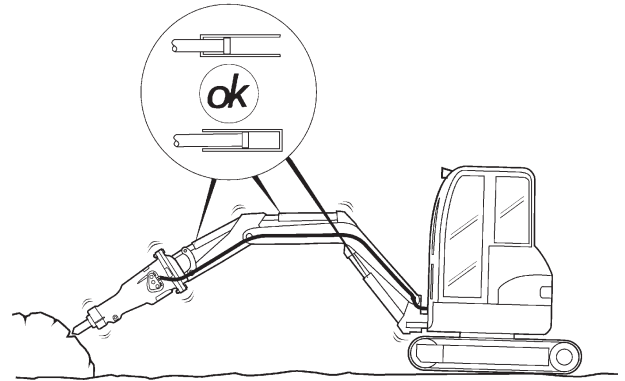
- ◆ Nunca opere o quebrador hidráulico durante mais de 15 segundos no mesmo ponto. Se o objecto não quebrar, mova a ferramenta de trabalho para uma nova posição.



- ◆ Não se dobre com a ferramenta de trabalho.

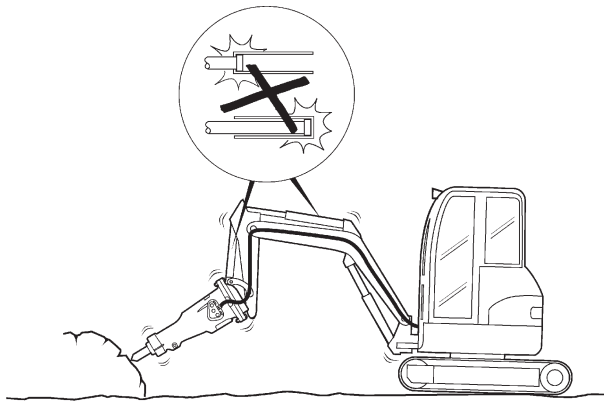


- ◆ Use a pressão de alimentação correcta. Quando a pressão de alimentação está correcta o quebrador hidráulico tem um funcionamento óptimo e as vibrações são mínimas. Além disso, o desgaste no mancal e na ferramenta serão mínimos.

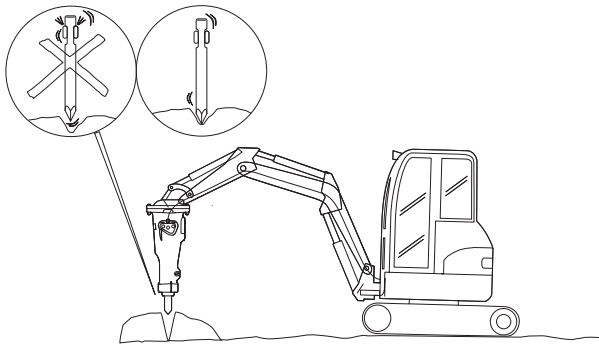


- ◆ Preste atenção ao som do quebrador hidráulico. O som muda caso exista uma curvatura entre a ferramenta e o mancal.

- ◆ Não opere o quebrador com os cilindros da lança nas suas posições extremas. Poderá danificar o transportador.

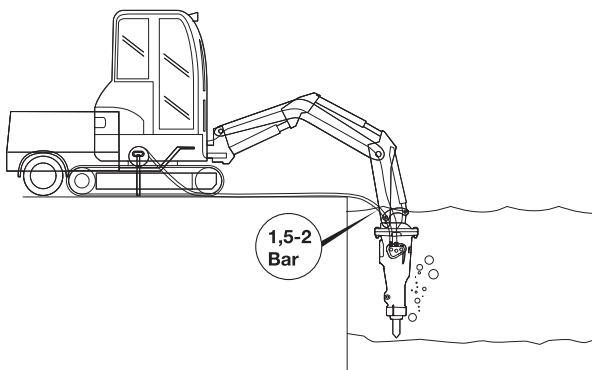


- ◆ Evite pancadas a baixa velocidade; provocará desgaste na ferramenta de trabalho e nos retentores da ferramenta.



### Demolição debaixo de água

Os quebradores hidráulicos podem funcionar debaixo de água.



Quando funciona debaixo de água o quebrador hidráulico deve ser alimentado com ar comprimido para manter a área entre o pistão e a ferramenta de trabalho livre da água. Se a área entre o pistão e a ferramenta de trabalho se encher de água esta poderá penetrar no sistema de óleo hidráulico durante o arranque do quebrador hidráulico.

A pressão de ar deve ser de 1,5–2 bar na entrada de ar do quebrador e o consumo de ar pode ser visto em “Dados Técnicos”. Uma mangueira hidráulica de ¼” e ligação JIC será uma mangueira de ar apropriada. Contacte o agente autorizado mais próximo de si para mais instruções.

## Manutenção

É essencial que a manutenção seja feita com regularidade para manter a eficiência máxima dos quebradores.

Um equipamento que não recebe uma manutenção suficiente pode ser perigoso quer para o operador quer para outras pessoas que estejam perto do quebrador. Assegure-se de que são seguidas as rotinas regulares de manutenção e lubrificação, para manter o equipamento seguro e eficaz.

## De duas em duas horas

Lubrificar a ferramenta de trabalho, os retentores e os mancais da ferramenta com o escopro da Atlas Copco.

### Lubrificar com pistola de lubrificação

**▲ ATENÇÃO** Ferramenta de trabalho quente durante a operação e no período após a sua utilização.

- ▶ Evite entrar em contacto com a ferramenta de trabalho.

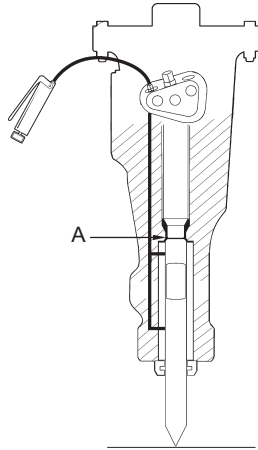


**▲ CUIDADO Eczema da pele**

O lubrificante pode causar eczema quando entra em contacto com a pele.

► Evite o contacto do lubrificante com as suas mãos.

1. Prima a ferramenta completamente para dentro do quebrador, até ao batente (A). Caso contrário o espaço entre o topo da ferramenta e o quebrador ficará cheio de massa lubrificante.



2. Lubrifique abundantemente a encabadouro da ferramenta de trabalho durante todas as operações ascendentes. O mancal e a ferramenta de trabalho devem ser lubrificadas tão frequentemente que isso impeça a poeira de penetrar no quebrador hidráulico.

Quando a encabadouro da ferramenta está exposta a uma pressão elevada ou a altas temperaturas uma massa de tipo normal derreterá e escorrerá. Para evitar isto, use sempre o escopro da Atlas Copco.

**Sistema de lubrificação central**

Recomendamos o sistema de lubrificação central da Atlas Copco. Quando este sistema é adaptado ao transportador a massa é bombada continuamente para o quebrador, a partir de um recipiente de lubrificação, no transportador, sempre que o quebrador é activado. Isto aumenta consideravelmente a vida útil dos mancais da ferramenta e das ferramentas de trabalho.

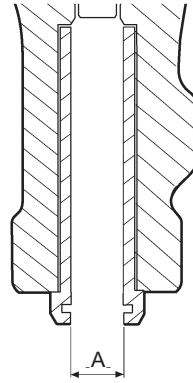
**Diariamente**

1. Verificar os retentores da ferramenta e a cavilha de travamento.
2. Verificar se as mangueiras e ligações estão em bom estado.
3. Verificar se os pernos e ligações não estão danificados e se estão bem apertados. Consulte os binários de aperto na lista de peças sobresselentes.

4. Encher o sistema central de lubrificação.

**Semanalmente**

1. Limpar cuidadosamente o quebrador hidráulico.
2. Verificar o desgaste do mancal da ferramenta e os limites máximos de desgaste interno (B).



O mancal da ferramenta deve ser substituído quando o diâmetro interno (A) tiver atingido o seu limite máximo de desgaste, consulte "Limites de desgaste" e "Substituir o mancal da ferramenta de trabalho".

3. Verificar se há desgaste na ferramenta de trabalho (C).



A ferramenta de trabalho deve ser substituída quando o diâmetro externo (B) tiver atingido o seu limite mínimo de desgaste. Consulte "Limites de desgaste".

Um espaçamento demasiado grande pode fazer com que a ferramenta de trabalho quebre e o pistão pode ser danificado.

4. Verifique se há rachas ou desgaste no corpo do martelo e no prato de adaptação.
5. Verifique se os parafusos do acumulador estão adequadamente apertados. O binário de aperto correcto pode ser encontrado na lista de peças sobresselentes.

A ferramenta de trabalho nunca deve ser amolada por forjadura. O amolamento só deve ser feito por meio de fresagem, esmerilhagem ou torneamento.

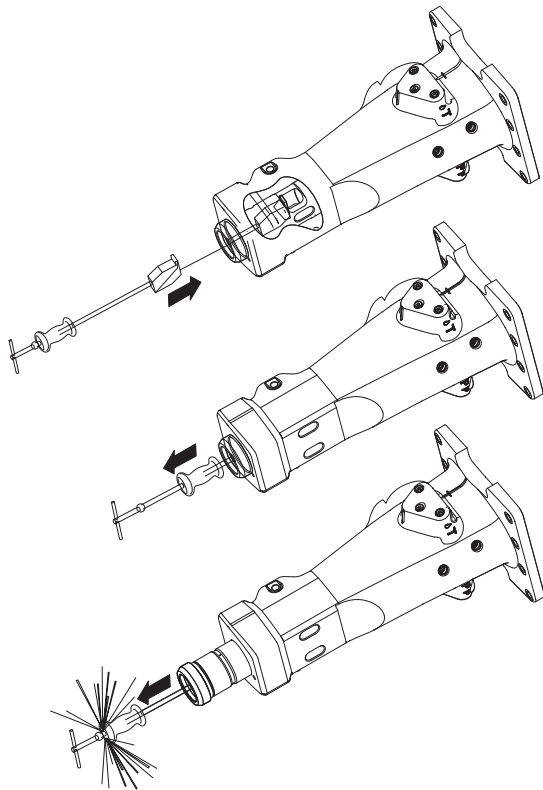
## Limites de desgaste

	B mm (in.)	C mm (in.)
SB 52	42 (1,6)	38 (1,5)
SB 102	47 (1,8)	43 (1,7)
SB 152	52 (2,0)	48 (1,9)
SB 202	68 (2,7)	63 (2,5)
SB 302	83 (3,3)	78 (3,1)
SB 452	98 (3,85)	92 (3,6)
SB 552	103 (4,1)	97 (3,8)

## Substituição do mancal da ferramenta de trabalho

O mancal da ferramenta de trabalho é mantido no lugar pelos retentores da ferramenta. Um novo mancal tem um ajuste por deslizamento.

1. Se um mancal gasto está preso use um martelo deslizante para o remover.



2. Limpe cuidadosamente a perfuração e a zona de assento do mancal.
3. Monte os novos vedações em O, lubrifique e monte o mancal.
4. Use um malho de plástico para inserir o mancal.
5. Mantenha o mancal no sítio com a ajuda dos retentores da ferramenta.
6. Monte um novo anel de segmento.

## Anualmente

A vistoria deve ser feita após um ano de operação contínua. Por razões de segurança a vistoria deverá ser feita por pessoal autorizado no agente Atlas Copco mais próximo ou num outro agente autorizado da Atlas Copco.

## Armazenamento

**▲ ATENÇÃO** Um quebrador que tenha caído pode causar ferimentos

- O quebrador hidráulico deverá ser colocado numa posição segura, em que não possa tombar e causar danos.

Se o quebrador hidráulico não for utilizado durante muito tempo os pontos seguintes devem ser tomados em consideração para proteger o quebrador hidráulico da corrosão:

1. Limpar cuidadosamente o quebrador hidráulico.
2. Desmontar a ferramenta de trabalho e lubrificar a parte frontal do pistão, o mancal e o encravamento dos retentores da ferramenta.
3. Armazene o quebrador hidráulico num lugar seco.

## Abate

Um equipamento usado deve ser tratado e abatido de maneira a que maior parte possível do seu material possa ser reciclada e qualquer influência negativa sobre o ambiente seja mantida ao nível mais baixo possível.

Antes de ser descartada uma máquina usada deve ser esvaziada e limpa de todo o óleo hidráulico. O óleo restante deve ser depositado e as influências negativas sobre o ambiente devem ser mantidas o mais baixo possível.

## Dados técnicos

### Dados do equipamento

	SB 52	SB 102	SB 152	SB 202	SB 302	SB 452	SB 552
Número de Encomenda	8460 0300 10	8460 0300 30	8460 0300 40	8460 0300 50	8460 0300 60	8460 0300 70	8460 0300 80
Peso de funcionamento (kg)	55	87	140	201	310	441	521
Peso de entrega (kg)	44	68	110	154	224	321	390
Diâmetro da encabadouro da ferramenta (mm)	40	45	50	65	80	95	100

### Capacidades

	SB 52	SB 102	SB 152	SB 202	SB 302	SB 452	SB 552
Excavadoras adequadas, toneladas min-máx	0.7–1.1	1.1–3.0	1.9–4.5	2.5–6.0	4.5-9	6.5-13	9–15
Fluxo de óleo (l/min)	15–32	16–35	25–45	35–66	50–80	55-100	65–115
Taxa de impacto (pancadas/min)	960–2160	720–2280	840–1920	840–1800	600-1380	540-1260	660–1140
Pressão de funcionamento (bar)	100–150	100–150	100–150	100–150	100–150	100-150	100–150
Aceitação de contrapressão (bar)	25	18	25	25	26	21	18
Pressão do acumulador (bar)	40	40	40	40	40	40	40
Válvula de libertação de pressão (bar)	170	170	170	170	170	180	170
Pressão da água (bar)	-	-	4	4	4	4	4
Consumo de água (l/min)	-	-	≤5	≤5	≤9	≤9	≤9
Pressão de ar (bar)	2	2	2	2	2	2	2
Fluxo de ar (l/min)	≤730	≤730	≤730	≤730	≤730	≤730	≤730

### Declaração de ruído

	SB 52	SB 102	SB 152	SB 202	SB 302	SB 452	SB 552
Pressão sonora <sup>1</sup> dB(A)	89	87	86	90	91	94	98
Potência sonora <sup>2</sup> dB(A)	117	115	114	118	119	122	126

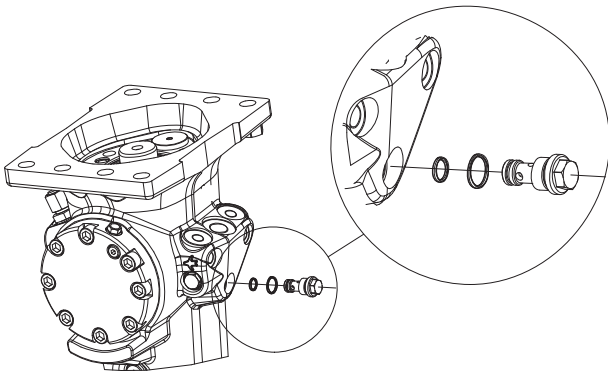
<sup>1</sup> Nível de pressão sonora em conformidade com a EN ISO 3744 e de acordo com a directiva 2000/14/EC a 10 metros de distância.

<sup>2</sup> Potência sonora garantida conforme a EN ISO 3744 e de acordo com a directiva 2000/14/EC, incluindo a dispersão na produção.

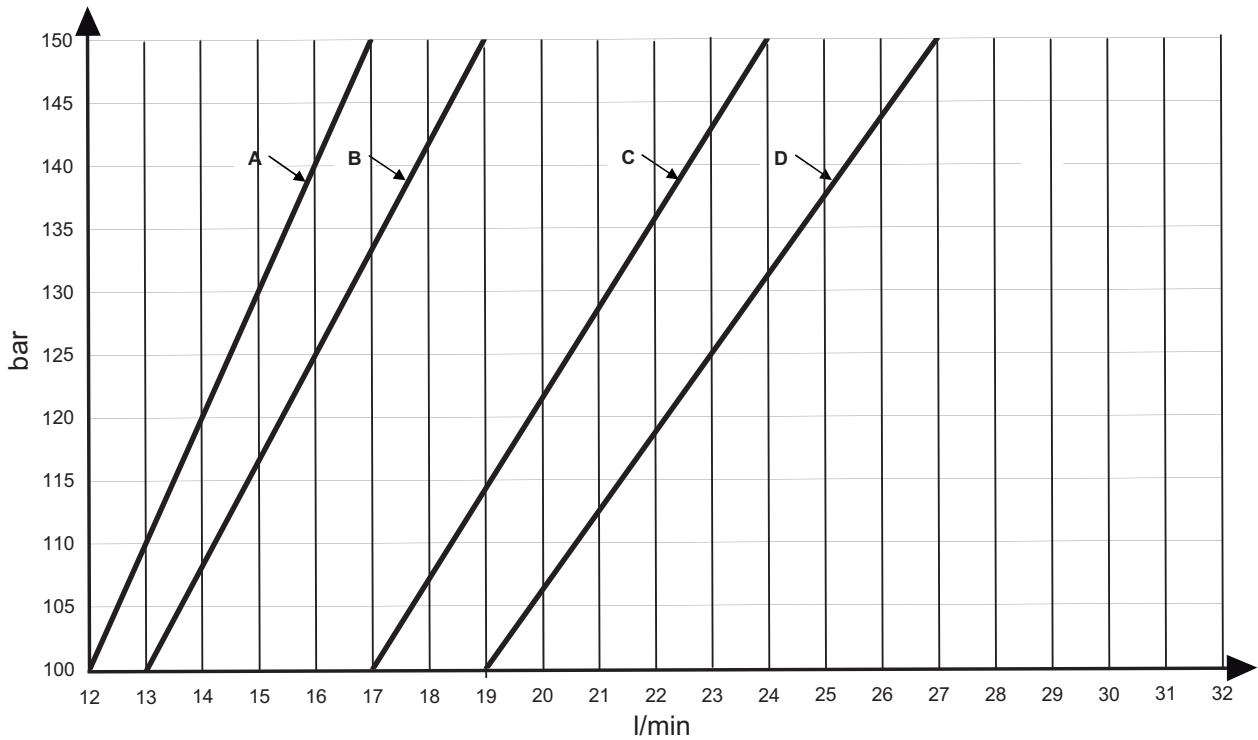
### Diagramas de fluxos para a pressão de funcionamento correcta

O fluxo de óleo do transportador pode ser restringido para obter a pressão de funcionamento correcta. Os restritores podem ser encomendados a partir da lista de peças sobressalentes.

Os diagramas mostram o fluxo de óleo com viscosidade 32 cSt.

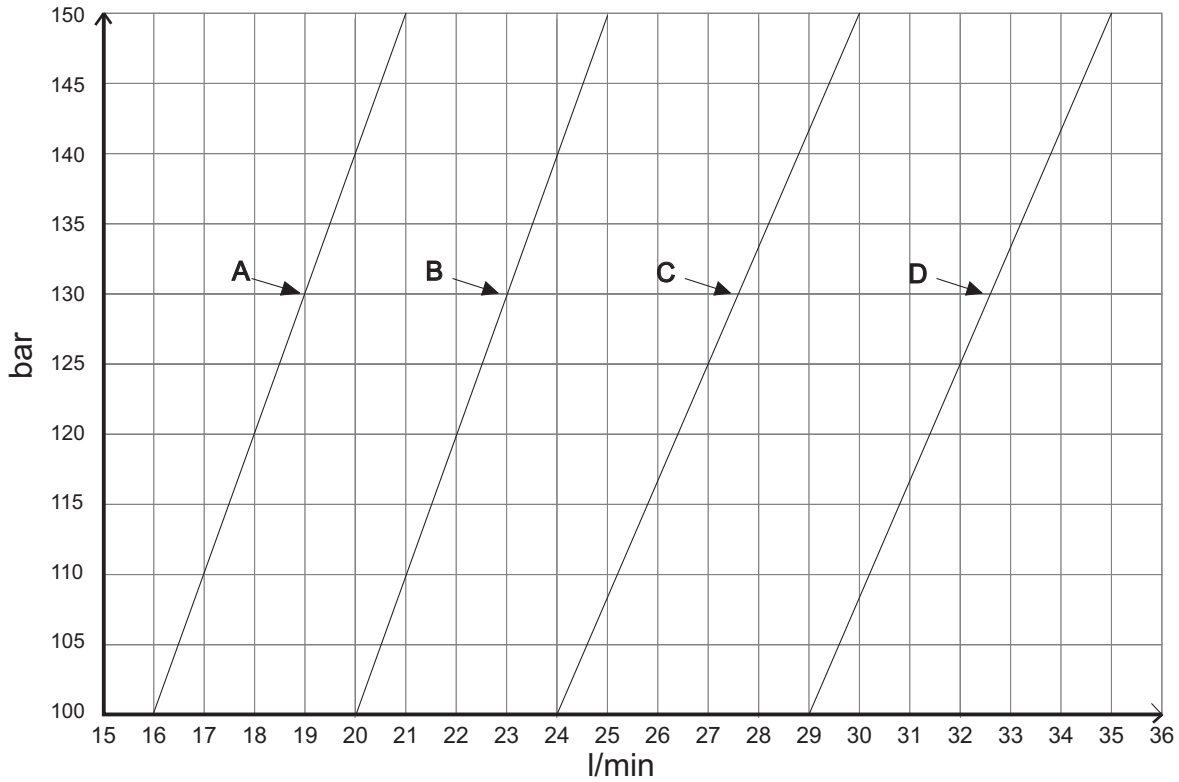


**SB 52: 100-150 bar**



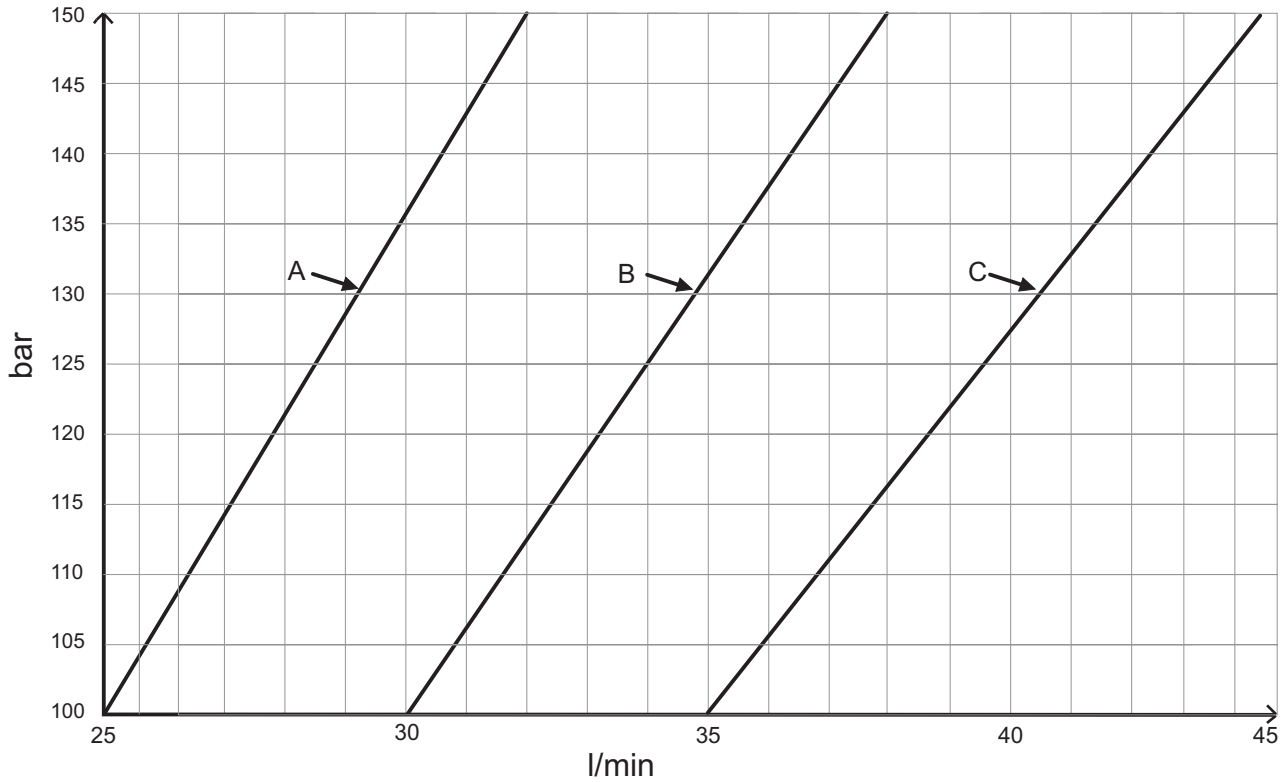
Restritor	Encomenda N.º	Restritor	Encomenda N.º
A	3315 2875 22	C	3315 2875 36
B	3315 2875 24	D (Standard)	3315 2875 37

**SB 102: 100-150 bar**



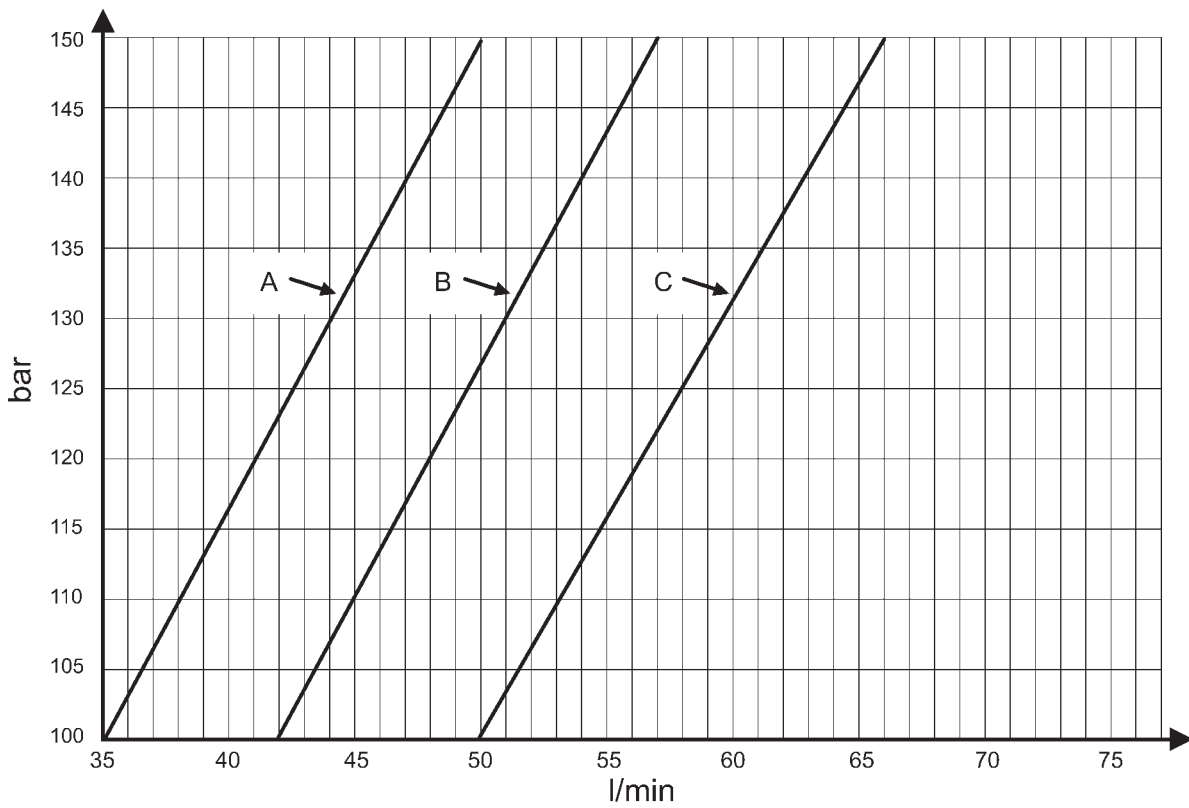
Restritor	Encomenda N.º	Restritor	Encomenda N.º
A	3315 2875 36	C	3315 2875 38
B	3315 2875 37	D (Standard)	3315 2875 35

**SB 152: 100-150 bar**



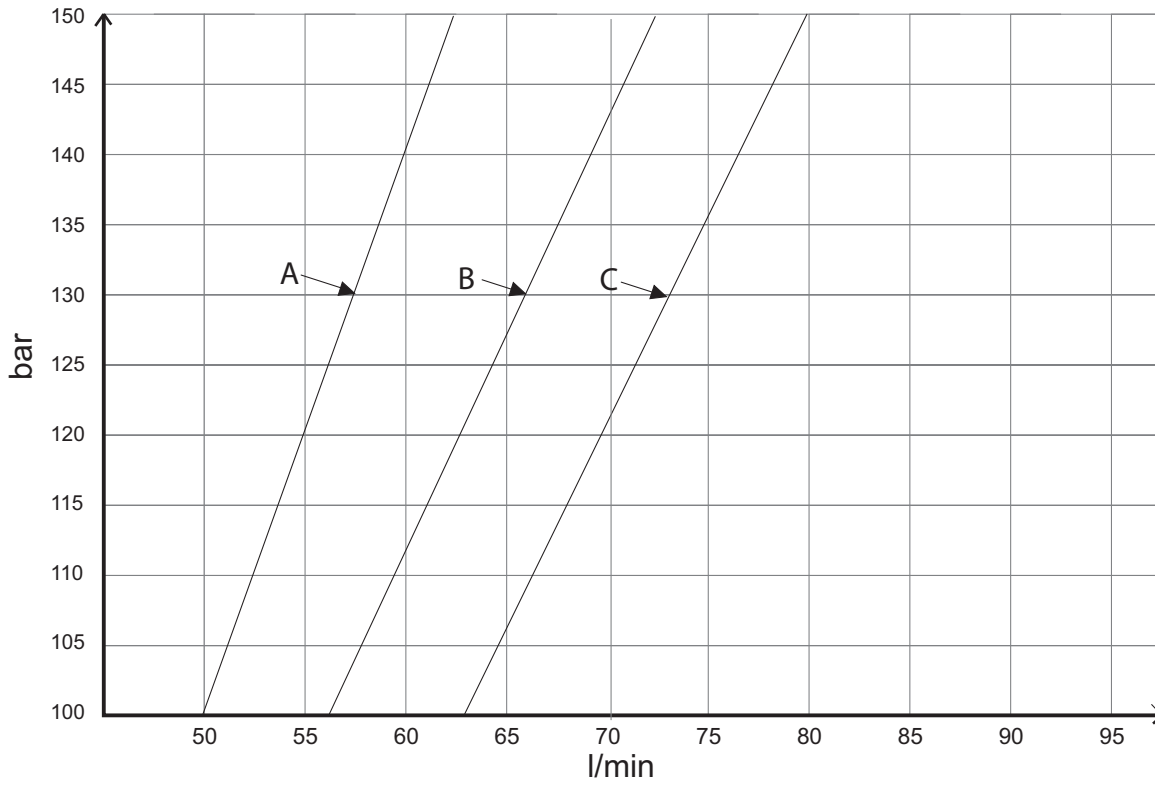
Restritor	Encomenda N.º	Restritor	Encomenda N.º
A	3315 2875 40	C (Standard)	3315 2875 51
B	3315 2875 35		

**SB 202: 100-150 bar**



Restritor	Encomenda N.º	Restritor	Encomenda N.º
A	3315 2875 45	C (Standard)	3315 3040 80
B	3315 2875 55		

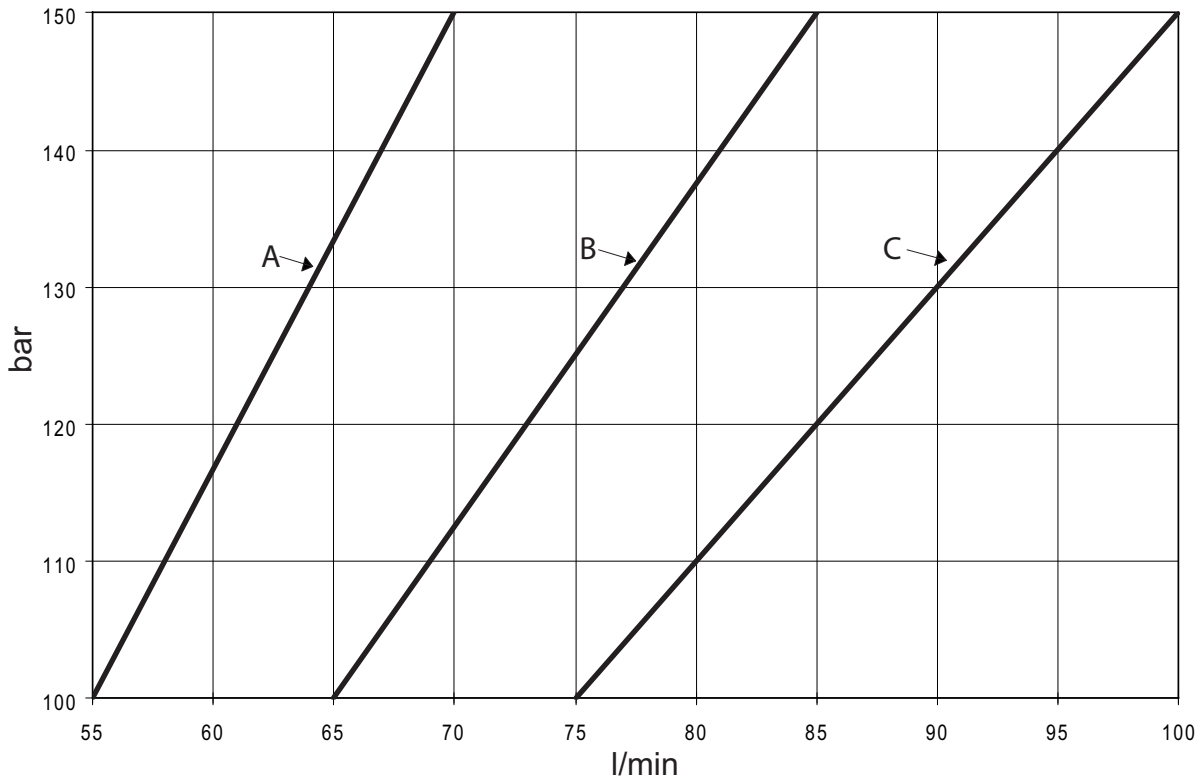
**SB 302: 100-150 bar**



Restritor	Encomenda N.º	Restritor	Encomenda N.º
A	3315 3588 54	C (Standard)	3315 3588 63
B	3315 3152 35		

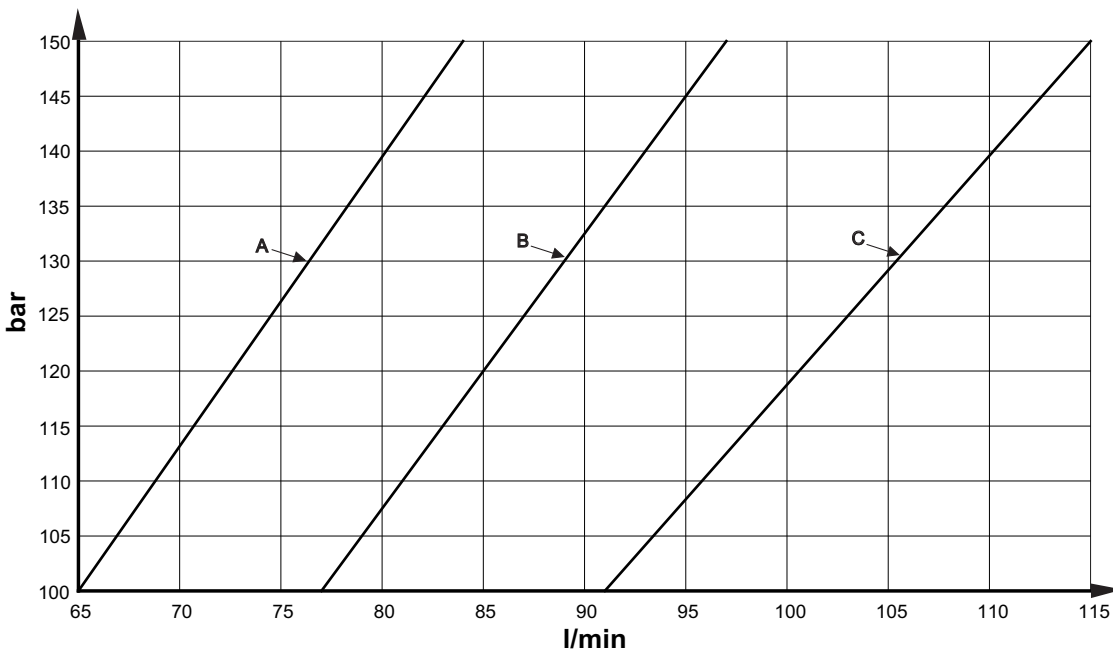


**SB 452: 100–150 bar**



Restritor	Encomenda N.º	Restritor	Encomenda N.º
A	3315 3152 35	C (Standard)	3315 3152 53
B	3315 3152 45		

**SB 552: 100-150 bar**



Restritor	Encomenda N.º	Restritor	Encomenda N.º
A	3315 3152 35	C (Standard)	3315 3152 55
B	3315 3152 45		

## ITALIANO

**Indice**

<b>Introduzione</b> .....	141
<b>Informazioni sulle istruzioni per la sicurezza e per l'uso</b> .....	141
<b>Norme di sicurezza</b> .....	142
<b>Terminologia di sicurezza</b> .....	142
<b>Precauzioni e qualifiche personali</b> .....	142
Trasporto .....	142
Installazione, magazzinaggio e smaltimento .....	142
Funzionamento .....	142
Collaudo .....	142
Dispositivi di protezione personale .....	142
Droghe, sostanze alcoliche o farmaci .....	143
<b>Mezzo portante , precauzioni</b> .....	143
<b>Installazione, precauzioni</b> .....	143
Sistema idraulico .....	143
Montaggio/Smontaggio .....	143
<b>Funzionamento, precauzioni</b> .....	144
<b>Conservazione, precauzioni</b> .....	144
<b>Manutenzione, precauzioni</b> .....	144
<b>Avvertenze</b> .....	146
<b>Modello e funzioni</b> .....	146
<b>Parti principali</b> .....	146
<b>Targhette ed etichette adesive</b> .....	146
Targhetta dei dati .....	147
Targhetta livello rumore .....	147
Segni sull'accumulatore .....	147
<b>Trasporto</b> .....	147
<b>Sollevamento del demolitore idraulico</b> .....	147
<b>Installazione</b> .....	148
<b>Tubi e collegamenti</b> .....	148
<b>L'olio idraulico</b> .....	148
<b>Montaggio</b> .....	149
<b>Regolazione di pressione</b> .....	150
<b>Spurgo acqua</b> .....	151
<b>Utensile di inserimento</b> .....	151
Selezione del corretto utensile di inserimento .....	151
Punta conica .....	151
Scalpelli e punte .....	151
Punta mozza .....	151
Montaggio e smontaggio dell'utensile di inserimento .....	151
<b>Funzionamento</b> .....	152
<b>Preparativi prima della demolizione</b> .....	152
Temperature di esercizio .....	152
Giri/min. motore .....	152
<b>Condizioni di esercizio</b> .....	152
Demolizione .....	152
Demolizione sott'acqua .....	154
<b>Manutenzione</b> .....	154
<b>A ore alterne</b> .....	154
Lubrificazione con pistola di ingrassaggio .....	154

Sistema di lubrificazione centralizzato.....	155
<b>Giornaliera</b> .....	155
<b>Settimanale</b> .....	155
Limiti di usura.....	156
Sostituzione della bussola dell'utensile di lavoro.....	156
<b>Annuale</b> .....	156
<b>Immagazzinamento</b> .....	156
<b>Smaltimento</b> .....	156
<b>Dati tecnici</b> .....	157
<b>Dati della macchina</b> .....	157
<b>Capacità</b> .....	157
<b>Dichiarazione in materia di rumore</b> .....	157
<b>Diagrammi di flusso per la pressione operativa corretta</b> .....	157
SB 52: 100-150 bar.....	158
SB 102: 100-150 bar.....	159
SB 152: 100-150 bar.....	160
SB 202: 100-150 bar.....	161
SB 302: 100-150 bar.....	162
SB 452: 100-150 bar.....	163
SB 552: 100-150 bar.....	163



## Introduzione

Grazie per aver scelto un prodotto Atlas Copco. Sin dal 1873 siamo stati impegnati nella ricerca di modi nuovi e migliori per soddisfare le necessità dei nostri clienti. Nel corso degli anni abbiamo messo a punto prodotti di concezione innovativa ed ergonomica per aiutare la nostra clientela a migliorare e razionalizzare il proprio lavoro quotidiano.

Atlas Copco dispone di una rete internazionale di vendita e di assistenza organizzata, costituita di centri di assistenza ai clienti e di distributori ubicati in tutto il mondo. I nostri esperti sono professionisti con una formazione altamente specializzata e dotati di vasta conoscenza dei prodotti e di ampia esperienza sulle loro applicazioni. In tutti gli angoli del mondo, Atlas Copco è in grado di offrire assistenza per i prodotti e la competenza idonea a garantire che i suoi clienti possano lavorare con la massima efficienza in qualunque momento.

Per ulteriori informazioni si prega di visitare il sito: [www.atlascopco.com](http://www.atlascopco.com)

## Informazioni sulle istruzioni per la sicurezza e per l'uso

Scopo di queste istruzioni è fornire le conoscenze per un uso sicuro ed efficiente del demolitore idraulico. Tali istruzioni offriranno inoltre consigli e indicazioni su come eseguire la normale manutenzione del demolitore idraulico.

Quando ci si accinge a utilizzare il demolitore idraulico per la prima volta, leggere queste istruzioni attentamente e accertarsi di averle comprese perfettamente.

## Norme di sicurezza

Per ridurre il rischio di lesioni gravi o morte dell'operatore o di altre persone, leggere queste istruzioni per la sicurezza prima di accingersi a utilizzare la macchina.

Affiggere queste istruzioni per la sicurezza nelle sedi di lavoro, fornirne copia agli addetti e assicurarsi che tutti le leggano prima di procedere all'uso o alla manutenzione della macchina.

Attenersi a tutte le norme di sicurezza.

## Terminologia di sicurezza

Le parole Pericolo, Attenzione e Prudenza hanno i seguenti significati:

<b>PERICOLO</b>	Indica una situazione di pericolo che, qualora non sia evitata, può provocare gravi lesioni personali o morte.
<b>ATTENZIONE</b>	Indica una situazione di pericolo che, qualora non sia evitata, può provocare gravi lesioni personali o morte.
<b>PRUDENZA</b>	Indica una situazione di pericolo che, qualora non sia evitata, può provocare lievi lesioni personali o di modesta entità.

## Precauzioni e qualifiche personali

L'uso e la manutenzione della macchina sono riservati esclusivamente a personale addestrato e qualificato. Utilizzare sempre le regole del buon senso.

### Trasporto

Il trasporto del demolitore idraulico può essere eseguito solo da personale:

- autorizzato ad operare una gru o un sollevatore a forche conformemente alle direttive nazionali applicabili,
- consapevole delle istruzioni di sicurezza nazionali e delle istruzioni per la prevenzione degli incidenti
- e che abbia letto e compreso i capitoli relativi alla sicurezza e al trasporto contenuti in questo manuale.

### Installazione, magazzinaggio e smaltimento

L'installazione, il magazzinaggio, la manutenzione e lo smaltimento del demolitore idraulico possono essere eseguiti solo da personale:

- consapevole delle istruzioni di sicurezza nazionali e delle istruzioni per la prevenzione degli incidenti
- e che abbia letto e compreso le Istruzioni per la sicurezza e per l'uso.

### Funzionamento

Il funzionamento del demolitore idraulico può essere eseguito solo da operatori di mezzi portanti qualificati. Gli operatori di mezzi portanti sono qualificati se:

- sono stati addestrati per operare un mezzo portante conformemente alle direttive nazionali;
- siano consapevoli delle istruzioni di sicurezza nazionali e delle istruzioni per la prevenzione degli incidenti
- e che abbiano letto e compreso le Istruzioni per la sicurezza e per l'uso.

### Collaudo

Il collaudo del demolitore idraulico va eseguito esclusivamente da tecnici professionisti. I tecnici devono essere autorizzati a far funzionare un sistema idraulico ai sensi delle direttive nazionali.

### Dispositivi di protezione personale

Utilizzare sempre dispositivi di protezione omologati. Gli operatori e tutte le altre persone presenti nella zona di lavoro devono indossare i dispositivi di protezione, che comprenderanno almeno:

- elmetto protettivo
- protezione acustica
- occhiali di sicurezza resistenti agli urti con protezioni laterali
- protezione delle vie respiratorie, se necessario
- guanti protettivi
- calzature protettive adeguate

## Droghe, sostanze alcoliche o farmaci

### ▲ **ATTENZIONE** Droghe, sostanze alcoliche o farmaci

Droghe, sostanze alcoliche o farmaci possono compromettere il proprio giudizio e la capacità di concentrazione. Scarsa reattività e valutazioni imprecise possono causare gravi incidenti o morte.

- ▶ Non utilizzare mai la macchina qualora si sia estremamente stanchi o sotto l'effetto di droghe, sostanze alcoliche o farmaci.
- ▶ Persone sotto l'effetto di droghe, sostanze alcoliche o farmaci non possono utilizzare la macchina.

## Mezzo portante , precauzioni

Prima di usare o trasportare il mezzo portante con il demolitore idraulico collegato, leggere attentamente le normative sulla sicurezza e le istruzioni sul funzionamento della casa produttrice del demolitore idraulico.

Accertarsi che il mezzo portante sia dotato di adeguate caratteristiche di protezione, come uno schermo protettivo davanti all'operatore.

Il demolitore idraulico si deve montare solo su un mezzo portante con capacità di carico sufficiente.

Mezzi portanti senza capacità di carico sufficiente non forniranno il grado di stabilità sufficiente e potrebbero perfino cadere durante l'uso del demolitore idraulico, causando lesioni o danni.

## Installazione, precauzioni

### Sistema idraulico

#### ▲ **PERICOLO** Gas compresso, pericolo di esplosione

L'accumulatore è pressurizzato anche quando l'impianto idraulico è spento. Smontare l'accumulatore senza prima rilasciare il gas di azoto può causare gravi lesioni personali o morte.

- ▶ Riempire l'accumulatore ad alta pressione esclusivamente con azoto (N<sub>2</sub>).
- ▶ Solo personale autorizzato è qualificato per lavorare con l'accumulatore.

#### ▲ **ATTENZIONE** Olio idraulico ad alta pressione

Schizzi di olio idraulico ad alta pressione possono colpire la pelle e causare danni permanenti.

- ▶ Consultare immediatamente un medico in caso di contatto della pelle con olio idraulico.
- ▶ Non utilizzare mai le dita per controllare le perdite di fluido idraulico.
- ▶ Tenere il viso lontano da possibili perdite.

#### ▲ **ATTENZIONE** Olio idraulico

Olio idraulico versatosi può causare ustioni e incidenti a causa della sua scivolosità; inoltre può essere causa di danni all'ambiente.

- ▶ Fare attenzione ad eventuale olio versatosi e maneggiarlo come indicato nelle normative sulla sicurezza e sull'ambiente.
- ▶ Non smontare mai il demolitore idraulico quando l'olio idraulico è bollente.
- ▶ Non far passare mai linee idrauliche per collegare il demolitore idraulico attraverso la cabina.

#### ▲ **PRUDENZA** Eczema cutaneo

L'olio idraulico può causare eczema quando viene a contatto con la cute.

- ▶ Evitare il contatto dell'olio idraulico con le mani.
- ▶ Nel lavorare con olio idraulico usare sempre guanti protettivi.

### Montaggio/Smontaggio

#### ▲ **ATTENZIONE** Parti in movimento

Rischio di schiacciamento di mani e dita.

- ▶ Non controllare mai i fori e i passaggi con le mani.
- ▶ Eventuali movimenti del braccio verranno effettuati solo in cooperazione con il personale addetto al montaggio del demolitore idraulico.
- ▶ Se il demolitore idraulico è montato su un attacco a rilascio rapido, accertarsi che sia bloccato saldamente e che siano eliminati eventuali rischi di allentamento del demolitore idraulico.

## Funzionamento, precauzioni

### ▲ PERICOLO Rischio di esplosione

Qualora l'utensile di inserimento venga a contatto con sostanze o gas esplosive vi è il rischio di esplosioni. Durante l'esercizio con determinati materiali, possono verificarsi scintille e combustioni. Eventuali esplosioni causerebbero lesioni gravi o morte.

- ▶ Non utilizzare la macchina in ambienti esplosivi.
- ▶ Non utilizzare mai la macchina in prossimità di materiali, vapori e polveri infiammabili.
- ▶ Accertarsi che non siano presenti fonti di gas o esplosivi non rilevati.

### ▲ ATTENZIONE Pressione di esercizio

Se si supera la pressione operativa massima per il demolitore idraulico, l'accumulatore si può sovraccaricare con conseguenti danni materiali e lesioni personali.

- ▶ Azionare sempre il demolitore idraulico alla corretta pressione operativa. Si veda "Dati tecnici".

### ▲ ATTENZIONE Rischio correlato con silice

L'esposizione alla silice cristallina (denominata anche "polvere di silice"), successiva a frantumazione o altre attività con roccia, cemento, asfalto o altri materiali, può causare silicosi (una grave malattia polmonare) o malattie ad essa correlate, cancro o morte. La silice è uno dei principali componenti di roccia, sabbia e minerali grezzi.

- ▶ I demolitori SB sono predisposti all'abbattimento della polvere, allo scopo di ridurre l'esposizione alla silice.

### ▲ ATTENZIONE Polveri pericolose

Alcune polveri, fumi o altri materiali trasportati dall'aria, prodotti durante l'uso della macchina, possono contenere sostanze chimiche note presso lo Stato della California come cancerogene e portatrici di difetti neonatali o altri danni correlati alla riproduzione. Tra queste sostanze chimiche vi sono, a titolo esemplificativo:

- silice cristallina, cemento e altri prodotti per l'edilizia.
- Arsenico e cromo derivati da gomma trattata chimicamente.
- Vernici a base di piombo.
- ▶ Per ridurre la propria esposizione a tali sostanze chimiche, lavorare in un'area ben ventilata, avvalendosi di dispositivi di protezione omologati, quali mascherine antipolvere appositamente realizzate per filtrare le particelle microscopiche.

### ▲ ATTENZIONE Scosse elettriche

Il demolitore idraulico non è isolato dalla corrente elettrica. Se il demolitore idraulico dovesse venire a contatto con circuiti elettrici o altre fonti di corrente elettrica, esiste un rischio di lesioni gravi o morte.

- ▶ Non lavorare vicino a circuiti elettrici o altre fonti di energia elettrica.
- ▶ Accertarsi dell'assenza di circuiti elettrici nascosti nell'area di lavoro.

### ▲ ATTENZIONE Proiettili

Durante la demolizione, schegge o altre particelle possono trasformarsi in proiettili e causare lesioni fisiche colpendo l'operatore o altre persone. Piccoli oggetti che cadono da grandi altezze possono causare danni significativi.

- ▶ Recintare l'area di lavoro.
- ▶ Prima di iniziare, accertarsi che non siano presenti persone nell'area a rischio, 20 metri orizzontalmente e verticalmente dal demolitore idraulico.
- ▶ Spegnerne immediatamente il demolitore idraulico in presenza di persone nell'area di rischio.

### ▲ ATTENZIONE Rischio correlato al rumore

Livelli elevati di rumore possono causare la perdita permanente dell'udito.

- ▶ Utilizzare protezioni acustiche conformi alle normative per la salute e la sicurezza sui luoghi di lavoro.

## Conservazione, precauzioni

### ▲ ATTENZIONE Il demolitore idraulico e l'utensile di lavoro sono pesanti

- ▶ Conservare il demolitore idraulico e l'utensile di lavoro in modo tale da impedirne caduta o rotolamento.

## Manutenzione, precauzioni

### ▲ ATTENZIONE Avviamento accidentale

Un avviamento accidentale del demolitore idraulico può portare a lesioni gravi.

- ▶ Seguire le istruzioni nel manuale del mezzo portante per prevenire l'avviamento involontario del demolitore idraulico.
- ▶ L'installazione di un circuito di avviamento sul demolitore idraulico si deve effettuare in maniera tale da impedire avviamenti accidentali.
- ▶ Il pedale sul mezzo portante deve essere dotato di copertura di protezione.



**▲ ATTENZIONE Sistema idraulico ad alta pressione**

Interventi di manutenzione del demolitore idraulico sotto pressione possono portare a lesioni gravi. I collegamenti possono allentarsi improvvisamente, i componenti possono spostarsi improvvisamente e l'olio idraulico può essere espulso.

- ▶ Depressurizzare il sistema idraulico prima di eseguire la manutenzione sul demolitore idraulico o sul mezzo portante.

**▲ ATTENZIONE Modifica della macchina**

Eventuali modifiche alla macchina possono causare lesioni personali all'operatore e ad altre persone.

- ▶ Non modificare mai la macchina.
- ▶ Utilizzare sempre ricambi ed accessori approvati dalla Atlas Copco.

**▲ PRUDENZA Utensile di inserimento caldo**

La punta dell'utensile di inserimento si riscalda quando viene utilizzata. Il contatto con la punta può causare ustioni.

- ▶ Non toccare mai un utensile di inserimento quando è caldo.
- ▶ Attendere che l'utensile di inserimento si sia raffreddato prima di eseguire qualsiasi intervento di manutenzione.

## Avvertenze

Per ridurre il rischio di lesioni gravi o morte, per se stessi o altre persone, prima di utilizzare la macchina leggere la sezione delle istruzioni sulla sicurezza che si trova nelle prime pagine di questo manuale.

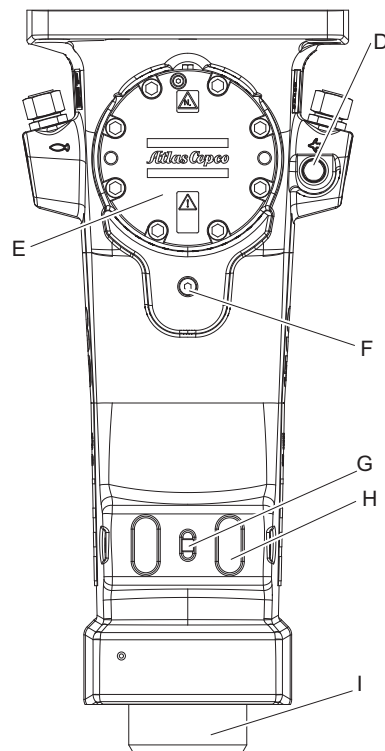
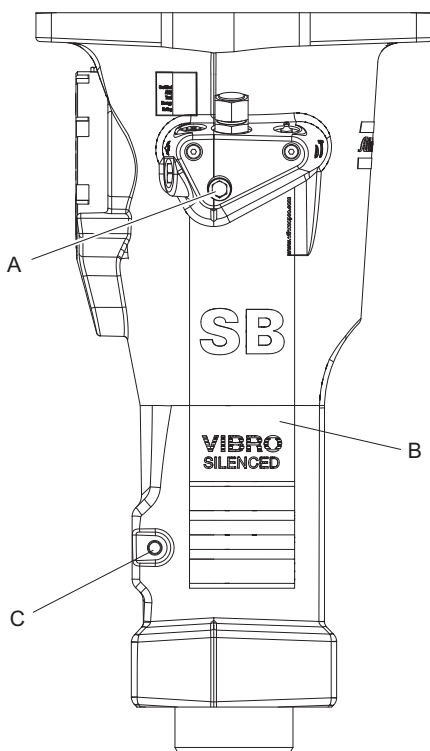
## Modello e funzioni

SB è una gamma di demolitori idraulici montati su macchine operatrici, destinati a ogni genere di lavoro di demolizione.

SB significa Solid Body (corpo monoblocco): ciò significa che il corpo del demolitore è costituito da un pezzo unico. L'accumulatore è integrato nel corpo.

Il demolitore idraulico è azionato dalla cabina del conducente del mezzo portante mediante l'impianto idraulico di tale mezzo. La frequenza del demolitore è controllata dal flusso di olio proveniente dal mezzo portante.

## Parti principali

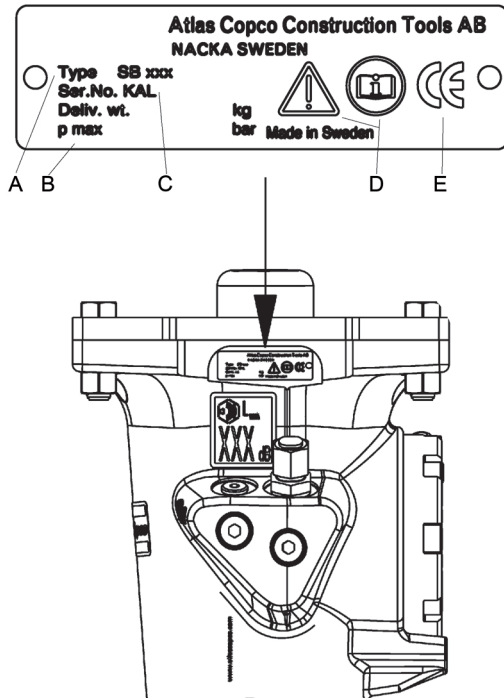


- A. Strozzatore
- B. Corpo del demolitore
- C. Perno di blocco
- D. Valvola limitatrice della pressione
- E. Accumulatore
- F. Tappo per lo scarico dell'olio
- G. Dispositivo di fermo
- H. Trattenitore
- I. Bussola

## Targhette ed etichette adesive

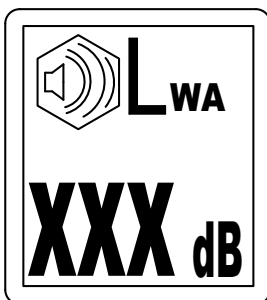
Sulla macchina sono apposte targhette ed etichette adesive contenenti informazioni importanti per la sicurezza dell'operatore e la manutenzione della macchina. Targhette ed etichette adesive devono essere sempre leggibili. Targhette ed etichette adesive nuove possono essere ordinate facendo riferimento all'elenco dei pezzi di ricambio.

### Targhetta dei dati



- A. Tipo di macchina
- B. Pressione idraulica massima
- C. Numero di serie
- D. Il simbolo di attenzione insieme al simbolo del libro indicano che occorre leggere le Istruzioni per la sicurezza e per l'uso quando ci si accinge a utilizzare la macchina per la prima volta.
- E. Il simbolo CE indica che la macchina è approvata dalla CE. Per ulteriori informazioni, consultare l'allegata dichiarazione CE.

### Targhetta livello rumore



La decalcomania indica l'indicatore di livello rumore garantito corrispondente alla direttiva CE 2000/14/CE. Vedere "Dati tecnici" per il livello acustico accurato.

### Segni sull'accumulatore



Leggere scrupolosamente le istruzioni di revisione prima di eseguire assistenza o modifiche.



L'accumulatore si deve caricare solo con azoto!

*NOTA!* Solo personale certificato è autorizzato a lavorare con l'accumulatore.

## Trasporto

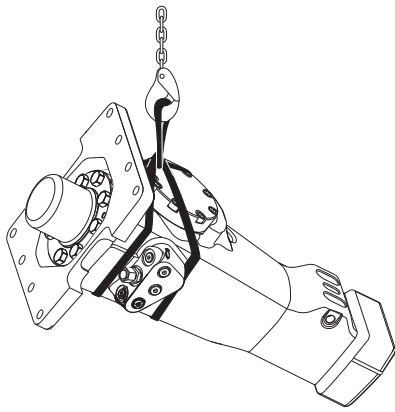
### Sollevamento del demolitore idraulico

**▲ ATTENZIONE** La caduta del demolitore può causare lesioni

- Collocare il demolitore in posizione sicura, in modo tale che non possa cadere e causare danni.

Controllare attentamente che il mezzo portante sia sufficientemente stabile durante il trasporto, la manutenzione o altro genere di lavoro sul demolitore idraulico.

Il demolitore idraulico è consegnato in una cassa. Per sollevarlo in modo sicuro, adattare la cinghia di sollevamento come mostrato nell'immagine seguente.



## Installazione

Prima di installare il demolitore idraulico sul mezzo portante, leggere il manuale di istruzioni e le istruzioni di sicurezza della ditta produttrice del mezzo portante. Seguire tutte le istruzioni.

Il mezzo portante deve avere il sistema idraulico appropriato per il funzionamento del demolitore.

Se il mezzo portante è troppo grande per il demolitore idraulico, può derivarne la rottura degli utensili di lavoro e maggiore usura. Si veda "Dati tecnici" per la scelta di un mezzo portante idoneo.

Prima dell'uso, controllare la qualità (marcatura CE, ecc.), l'idoneità e la funzionalità dei dispositivi di protezione del sistema idraulico, da parte di un supervisore professionista/autorizzato.

## Tubi e collegamenti

### ⚠ ATTENZIONE Colpo di frusta del tubo idraulico

I tubi idraulici sotto pressione possono avere dei movimenti sferzanti se le viti si allentano o vengono allentate. I tubi flessibili idraulici possono causare gravi lesioni.

- ▶ Depressurizzare il sistema idraulico prima di allentare il collegamento di un tubo idraulico.
- ▶ Serrare i dadi sui collegamenti dei tubi idraulici alla coppia richiesta.

Tipo di nipplo: Nipplo standard ORFS Atlas Copco. Le dimensioni del nipplo sono nell'elenco dei pezzi di ricambio.

Quando si collega il demolitore al mezzo portante, la qualità dei flessibili idraulici deve essere 2SC (in base a EN 857) o migliore. Se si devono usare gli attacchi rapidi, raccomandiamo attacchi a "faccia piatta". Questo tipo di attacco è resistente e facile da pulire. La classe di pressione degli attacchi rapidi deve accordarsi con la pressione operativa del mezzo portante.

Pulire sempre gli attacchi rapidi prima del montaggio o dello smontaggio. Chiudere sempre i tubi e i raccordi con i tappi serrati e puliti quando si esegue lo smontaggio.

### Collegamenti dei flessibili Destra (visto dal sedile dell'operatore)

	Spurgo aria	Lubrificazione centrale	Serbatoio, tubo di ritorno
Simbolo			
SB 52	G 1/4"	G 1/4"	G 3/8"
SB 102	G 1/4"	G 1/4"	G 1/2"
SB 152	G 1/4"	G 1/4"	G 1/2"
SB 202	G 1/4"	G 1/4"	G 1/2"
SB 302	G 1/4"	G 1/4"	G 3/4"
SB 452	G 1/4"	G 1/4"	G 3/4"
SB 552	G 1/4"	G 1/4"	G 1"

### Collegamenti dei flessibili Sinistra (visto dal sedile dell'operatore)

	Acqua	Pressione a interruttore	Pressione per ContiLube®II
Simbolo			
SB 52	-	G 3/8"	G 1/4"
SB 102	-	G 1/2"	G 1/4"
SB 152	G 1/4"	G 1/2"	G 1/4"
SB 202	G 1/4"	G 1/2"	G 1/4"
SB 302	G 1/4"	G 3/4"	G 1/4"
SB 452	G 1/4"	G 3/4"	G 1/4"
SB 552	G 1/4"	G 1"	G 1/4"

### Coppia di serraggio per aria compressa e di ritorno

SB 52	60 Nm
SB 102	150 Nm
SB 152	150 Nm
SB 202	150 Nm
SB 302	210 Nm
SB 452	210 Nm
SB 552	300 Nm

## L'olio idraulico

Normalmente il tipo di olio idraulico che utilizza il mezzo portante si usa anche nell'utilizzo del demolitore idraulico.

Quando un demolitore idraulico è collegato al mezzo portante, l'olio idraulico tenderà a sporcarsi più velocemente. Controllare e attenersi alle istruzioni relative al mezzo portante per la sostituzione di olio e relativo filtro. Di solito l'olio si cambia più

frequentemente quando è installato un demolitore idraulico.

I demolitori idraulici SB sono dotati di un tappo per lo spurgo dell'olio prima dello smontaggio. Questo riduce il rischio di spargimento dell'olio.

**NOTA!** Quando il demolitore SB viene consegnato, contiene dell'olio idraulico a base minerale. Prima di collegarlo all'impianto idraulico del mezzo portante, controllare il tipo di olio idraulico che sta utilizzando il mezzo portante. La miscela di oli idraulici di tipo diverso può distruggere la qualità della lubrificazione, causando danni alla macchina.

## Montaggio

### ▲ ATTENZIONE La caduta del demolitore può causare lesioni

- Collocare il demolitore in posizione sicura, in modo tale che non possa cadere e causare danni.

Far circolare l'olio idraulico prima di collegare il demolitore idraulico. Ciò allo scopo di accertarsi che l'olio idraulico sia pulito. Adottare questa operazione di routine quando si cambia il tubo dell'olio idraulico. Per ulteriori informazioni, vedere "Olio idraulico".

1. Collegare il tubo per aria compressa e di ritorno.

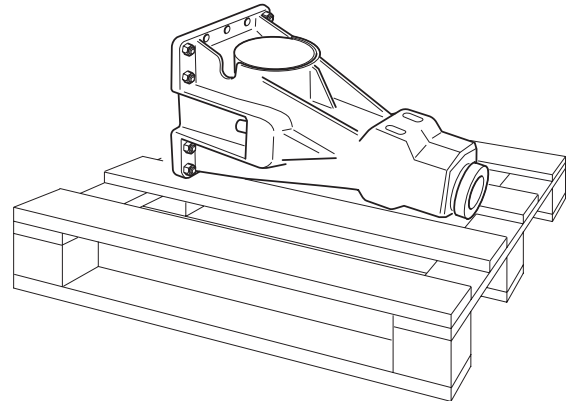


2. Far circolare l'olio idraulico attraverso il filtro dell'olio del mezzo portante per circa 3 minuti per accertarsi che i tubi siano puliti.

### Preparazione

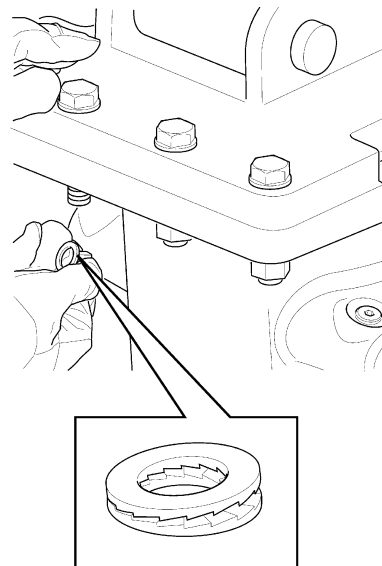
1. Il demolitore deve essere collocato in una posizione tale che il montaggio della piastra dell'adattatore siano facili e sicuri.

**NOTA!** Montare il demolitore in maniera tale che l'accumulatore sia rivolto verso la cabina dell'operatore, per ridurre il rischio di danni all'accumulatore.



### Montaggio della piastra dell'adattatore

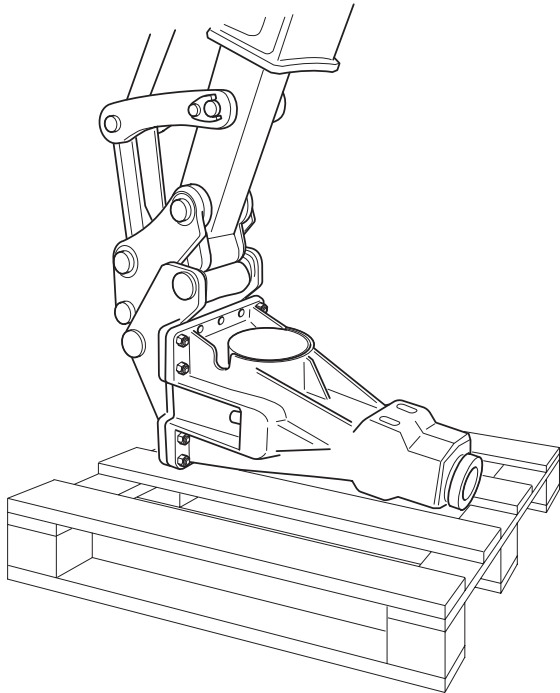
2. Se non è disponibile la vite "Tough lock" di Atlas Copco, raccomandiamo l'uso di rondelle NORD LOCK sotto dadi e bulloni (NORD-LOCK™ è un marchio registrato di Nord-Lock AB negli Stati Uniti e/o in altri paesi).



Piastra base	Coppia di serraggio
SB 52	290 Nm
SB 102	200 Nm
SB 152	200 Nm
SB 202	200 Nm
SB 302	170 Nm
SB 452	400 Nm
SB 552	400 Nm

*Collegamento del demolitore al mezzo portante*

- Collocare il demolitore in modo sicuro al momento dell'installazione.



L'entrata dell'aria compressa sul demolitore idraulico si trova sul lato sinistro guardando l'accumulatore. Se il tubo dell'aria compressa si trova sull'altro lato del braccio escavatore è possibile che si incrocino i tubi o si ruoti il demolitore idraulico.

- Abbassare con cautela il blocco del braccio nell'adattatore.

**▲ ATTENZIONE Le parti in movimento possono schiacciare e tagliare**

- Non controllare mai i fori e i passaggi con le mani.

Un assistente deve dirigere il movimento del braccio dell'escavatore finché i fori di questo non coincidano con quelli dell'adattatore.

Concordare con il tecnico installatore chiari segnali con le mani durante la procedura di montaggio.

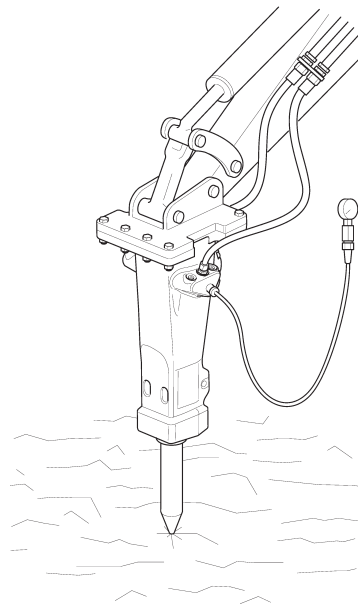
- Inserire il perno e bloccare.
- Sollevare il demolitore idraulico mediante il braccio.
- Estendere il cilindro della benna finché il foro nel commutatore non corrisponda a quelli nell'adattatore. Inserire il perno del commutatore e bloccare.

- Dopo aver montato il demolitore, estendere e ritirare con cautela il cilindro della benna al massimo in ogni direzione. È importante che il cilindro possa essere completamente esteso e ritirato senza difficoltà.

## Regolazione di pressione

I demolitori SB sono dotati di valvola di scarico pressione che li rende sicuri. La pressione operativa del demolitore idraulico (max 150 bar) è controllata e regolata da un indicatore di pressione durante l'uso.

- Se la pressione operativa è superiore a 150 bar, la si deve ridurre. Ridurre il flusso dell'olio del mezzo portante finché la pressione non scende al disotto dei 150 bar. Questa regolazione è importante per assicurare che la valvola regolatrice di pressione incorporata nel demolitore non si apra facendo ridefluire l'olio nel serbatoio, causando problemi di surriscaldamento.
- Se la pressione operativa rientra nel range di 130–150 bar, normalmente non è necessaria nessuna regolazione.
- Se la portata dell'olio del mezzo portante è troppo bassa per trattenere una pressione operativa accettabile, il restrittore del demolitore deve essere sostituito. Vedere i grafici di flusso nella sezione "Dati tecnici" per la scelta del restrittore più idoneo.



Posizionare in verticale il demolitore idraulico verso roccia tenera, solida o altro materiale simile per regolare la pressione mediante indicatore di pressione.

## Spurgo acqua

Il demolitore idraulico è predisposto per lo spurgo dell'acqua, questa funzione ha lo scopo di abbattere la polvere quando si eseguono operazioni di demolizione.

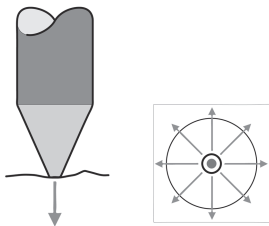
Quando si collega lo spurgo dell'acqua, il tappo anteriore del demolitore si deve sostituire con un ugello per l'acqua. Consultare gli elenchi dei pezzi di ricambio per ordinare un nuovo ugello per l'acqua.

Usare un flessibile idraulico da ¼" con una connessione JIC come corretto flessibile per l'acqua. Il consumo di acqua a 4 bar è di 6,6 l/min. Contattare l'officina autorizzata più vicina per ulteriori istruzioni.

## Utensile di inserimento

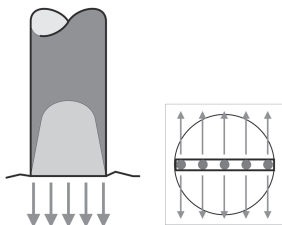
### Selezione del corretto utensile di inserimento

#### Punta conica



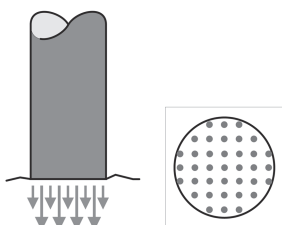
- Ottima penetrazione
- Divaricazione regolare dell'azione cuneo
- Nessun effetto torsione

#### Scalpellini e punte



- Divaricazione molto buona dell'azione cuneo
- Buona penetrazione
- Effetto torsione

#### Punta mozza



- Ottima applicazione di energia
- Ottimo effetto di frantumazione
- Nessun effetto torsione

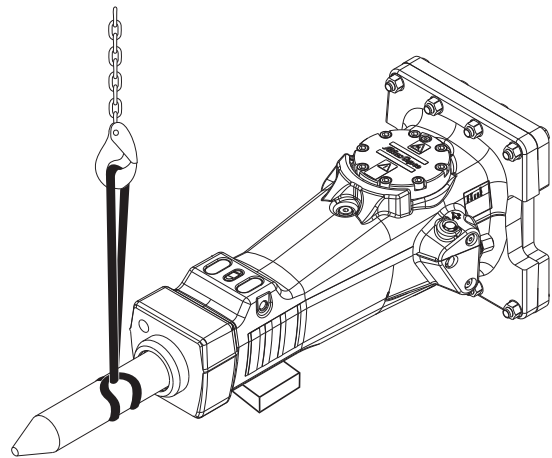
### Montaggio e smontaggio dell'utensile di inserimento

#### ⚠ ATTENZIONE Motore in moto

La sostituzione dell'utensile di inserimento mentre il motore del mezzo portante è in funzione può causare gravi lesioni personali.

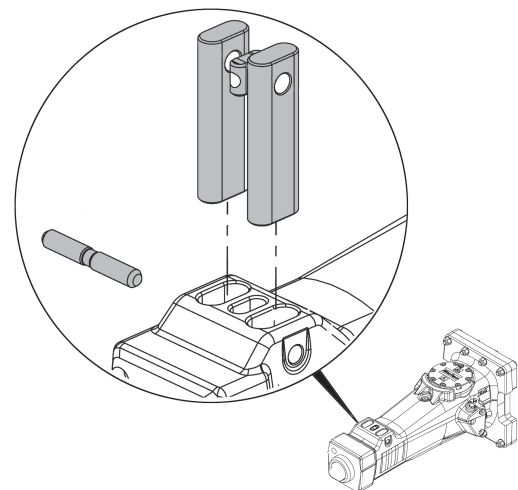
- ▶ Proteggere il mezzo portante dall'attivazione involontaria.

1. Prima di sostituire l'utensile di inserimento, spegnere sempre il motore del mezzo portante.
2. Montare e smontare l'utensile di inserimento con la cinghia di sollevamento per ridurre il rischio di schiacciamento di parti del corpo.



Alcuni utensili di inserimento sono pesanti, quindi sollevarli in maniera sicura.

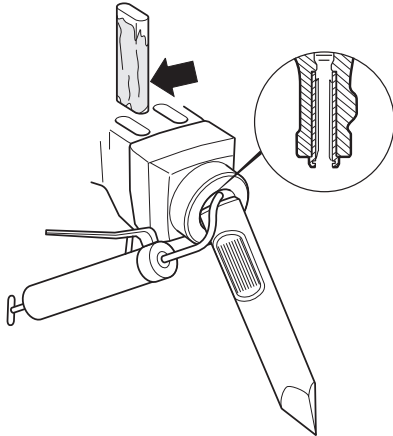
3. Controllare che lo smorzatore blocco non sia usurato o danneggiato.



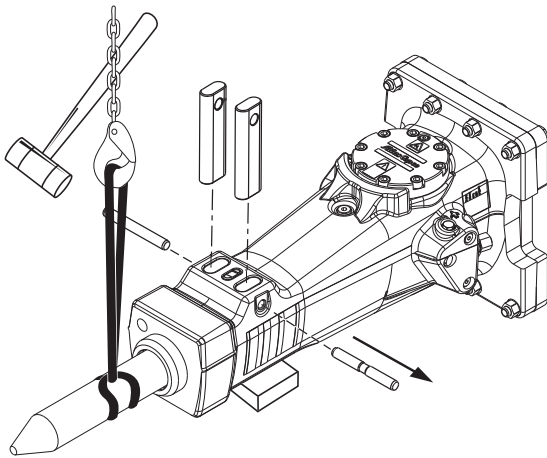
Lo smorzatore nel blocco del trattenitore utensile è di plastica e si può fondere durante il lavoro in un ambiente molto caldo. Se ciò dovesse avvenire, cambiare il perno di blocco standard. Nell'elenco delle parti di ricambio si troverà un perno a molla opzionale da usare al suo posto.



4. Pulire e lubrificare la bussola perfettamente. Ciò è particolarmente importante quando si monta un nuovo utensile di inserimento.



5. Montare l'utensile di inserimento.  
 6. Far ruotare l'utensile di inserimento per spargere il grasso.  
 7. Montare i trattenitori dell'utensile, uno alla volta.  
 8. Inserire il perno di blocco finché l'ammortizzatore blocco non si collega alla scanalatura del perno di blocco.



L'utensile di inserimento si smonta in senso inverso rispetto alle istruzioni di montaggio.

## Funzionamento

**NOTA!** Il demolitore idraulico o l'utensile di lavoro non si devono usare come dispositivi di sollevamento. Nel sollevare componenti pesanti, usare il gancio sul braccio del mezzo portante.

## Preparativi prima della demolizione

### Temperature di esercizio

La temperatura di esercizio del demolitore idraulico è compresa tra  $-20\text{ }^{\circ}\text{C}$  e  $+80\text{ }^{\circ}\text{C}$ .

#### ▲ PRUDENZA Rischio di temperatura

Il demolitore idraulico e l'impianto dell'olio idraulico del mezzo portante si possono danneggiare se il demolitore idraulico si usa a temperature più alte o più basse.

- ▶ Avviare il demolitore solo quando l'olio idraulico ha raggiunto la corretta temperatura di esercizio.
- ▶ Se la temperatura esterna è al di sotto dei  $-20\text{ }^{\circ}\text{C}$ , riscaldare l'utensile di lavoro e il demolitore idraulico prima dell'uso.
- ▶ Se la temperatura dell'olio supera  $+80\text{ }^{\circ}\text{C}$ , non utilizzare il demolitore idraulico in quanto la qualità dell'olio peggiora riducendo drasticamente la vita utile di guarnizioni e O-ring.

### Giri/min. motore

Giri/min. del motore troppo alti avranno come conseguenza un maggiore consumo di carburante e maggiore temperatura dell'olio. Adattare i giri/min. del motore al valore raccomandato per ottenere una portata dell'olio operativa corretta.

## Condizioni di esercizio

### Demolizione

#### ▲ PRUDENZA Rischi connessi alla macchina e all'utensile

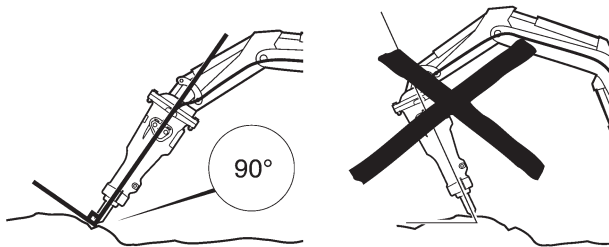
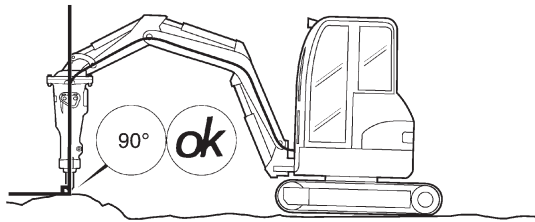
Il funzionamento continuo ad estensione/retrazione totale può danneggiare i cilindri idraulici.

- ▶ Evitare sempre di utilizzare il demolitore con i cilindri completamente estesi o retratti.
- ▶ Riposizionare il mezzo portante e/o il braccio per evitare che i cilindri siano completamente estesi o retratti.
- ▶ Prestare sempre la massima attenzione durante il lavoro.

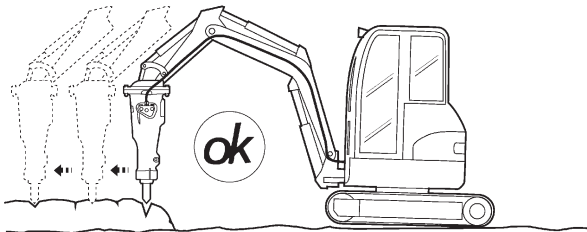


Non avviare mai il demolitore idraulico finché questo e il mezzo portante non si trovino nella corretta posizione.

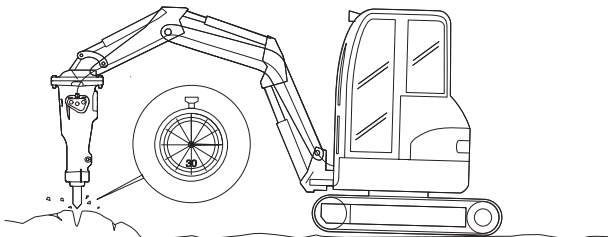
- ◆ Dirigere il demolitore idraulico con un'angolazione di 90° gradi rispetto all'oggetto.



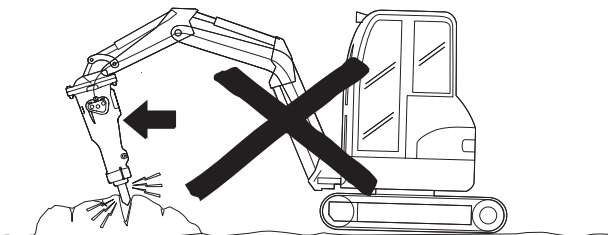
- ◆ Partire dal bordo e lavorare verso il centro. Non iniziare mai dal centro di superfici grandi.



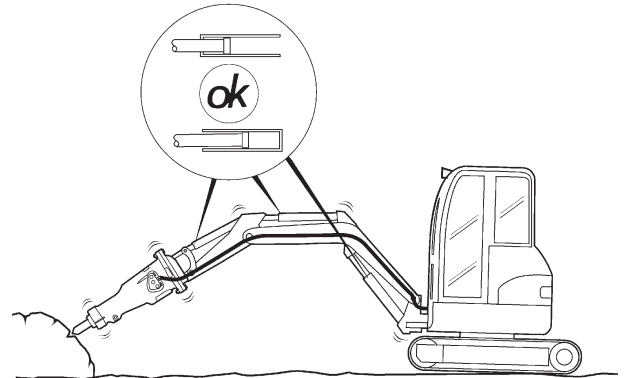
- ◆ Non utilizzare il demolitore idraulico per una durata superiore a 15 secondi nello stesso punto. Spostare l'utensile di lavoro in una nuova posizione se l'oggetto non si rompe.



- ◆ Non flettere mai l'utensile di lavoro.

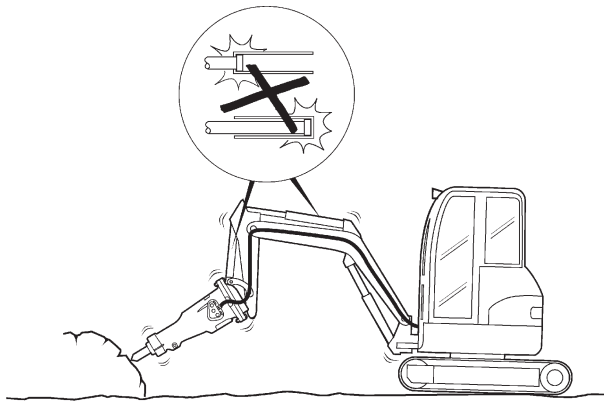


- ◆ Usare la pressione di avanzamento corretta. Quando la pressione di avanzamento è corretta, il demolitore idraulico lavora al massimo delle sue prestazioni con vibrazioni minime. Inoltre l'usura sulla bussola e l'utensile è minore.

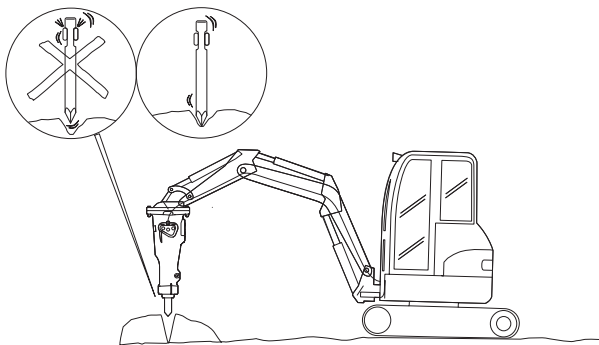


- ◆ Ascoltare il rumore del demolitore idraulico. Il rumore cambia in caso di curve tra l'utensile e la bussola.

- ◆ Non far funzionare mai il demolitore con i cilindri del braccio a fine corsa. Potrebbero derivarne danni al mezzo portante.

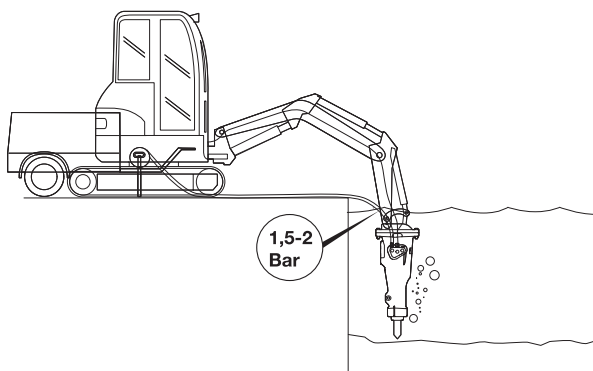


- ◆ Evitare corse minime; potrebbe derivarne l'usura dell'utensile di lavoro e dei trattenitori dell'utensile.



### Demolizione sott'acqua

I demolitori idraulici possono essere utilizzati per funzionare sott'acqua.



Quando si lavora sott'acqua, il demolitore idraulico deve essere alimentato con aria compressa per mantenere l'area tra il pistone e l'utensile di lavoro priva di acqua. Se l'area tra il pistone e l'utensile di lavoro si dovesse riempire di acqua, questa potrebbe penetrare nell'impianto dell'olio idraulico all'avvio del demolitore idraulico.

La pressione dell'aria deve essere di 1,5–2 bar all'ingresso del demolitore, il consumo dell'aria si trova in “Dati tecnici”. Il tubo per l'aria idoneo è un flessibile idraulico da ¼” con collegamento JIC. Contattare l'officina autorizzata di zona per ulteriori istruzioni.

## Manutenzione

È essenziale che la manutenzione ordinaria venga eseguita per mantenere la massima efficienza dei demolitori.

Un'attrezzatura senza regolare manutenzione può essere pericolosa per l'operatore e per coloro che si trovano nei pressi del demolitore. Accertarsi che ci si attenga alle procedure di manutenzione ordinaria con lubrificazione perché l'attrezzatura risulti sicura ed efficiente.

## A ore alterne

Lubrificare regolarmente l'utensile di lavoro, i trattenitori e le boccole con pasta per utensili Atlas Copco.

### Lubrificazione con pistola di ingrassaggio

**▲ ATTENZIONE** Utensile di lavoro caldo durante il funzionamento e dopo l'uso.

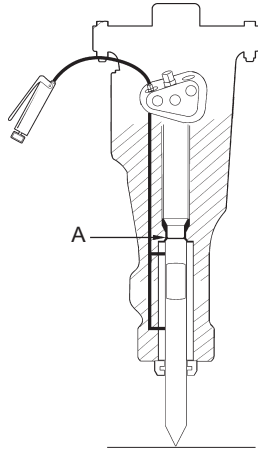
- Evitare il contatto con l'utensile di lavoro.

**▲ PRUDENZA Eczema cutaneo**

Il grasso può causare eczema quando viene a contatto con la pelle.

► Evitare il contatto dell'olio idraulico con le mani.

1. Spingere l'utensile completamente nel demolitore fino al punto di arresto (A). In caso contrario lo spazio tra la punta dell'utensile e il demolitore si riempirà di grasso.



2. Lubrificare abbondantemente il mandrino dell'utensile di lavoro durante tutte le operazioni verso l'alto. La bussola e l'utensile di lavoro si devono lubrificare frequentemente, in maniera tale che non possa penetrare sporcizia nel demolitore idraulico.

Quando la bussola dell'utensile è esposta ad una eccessiva pressione ed a temperature troppo alte, il grasso standard si scioglie e scompare. Per evitare ciò, usare pasta per utensili Atlas Copco Tools.

**Sistema di lubrificazione centralizzato**

Raccomandiamo l'impianto di lubrificazione centralizzato Atlas Copco. Quando l'impianto è montato sul mezzo portante, il grasso viene pompato in continuazione da un contenitore di lubrificante sul mezzo portante al demolitore, quando quest'ultimo viene attivato. Ciò aumenta notevolmente la durata delle bussole e degli utensili di lavoro.

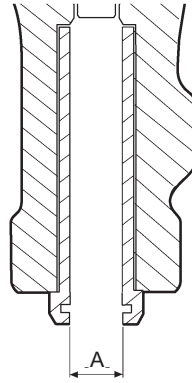
**Giornaliera**

1. Controllare i trattenitori dell'utensile e il perno di blocco.
2. Controllare che i tubi idraulici, gli attacchi e l'accumulatore siano in buone condizioni.
3. Controllare che bulloni non siano danneggiati e i collegamenti siano privi di danni e correttamente serrati. Vedere le coppie di serraggio nell'elenco delle parti di ricambio.

4. Rabboccare l'impianto di lubrificazione centrale.

**Settimanale**

1. Pulire scrupolosamente il demolitore idraulico.
2. Controllare l'usura della bussola dell'utensile e i limiti dell'usura interna massima (B).



La bussola dell'utensile si deve sostituire quando il diametro interno (A) ha raggiunto il limite di usura massimo, vedere "Limiti di usura" e "Sostituzione della bussola dell'utensile di lavoro".

3. Verificare l'eventuale usura dell'utensile di lavoro (C).



L'utensile di lavoro si deve sostituire quando il diametro esterno (B) ha raggiunto il limite di usura minimo. Vedere "Limiti di usura".

Un gioco eccessivo può causare la rottura dell'utensile di lavoro con conseguenti danni al pistone.

4. Controllare che non ci siano rotture e segni di usura sul corpo del demolitore e sulla piastra dell'adattatore.
5. Controllare che le viti dell'accumulatore siano correttamente serrate. La coppia di serraggio corretta è indicata nell'elenco delle parti di ricambio.

L'utensile di lavoro non si deve mai affilare per la fucinatura. L'affilatura si deve eseguire solo per fresatura, rettifica o tornitura.

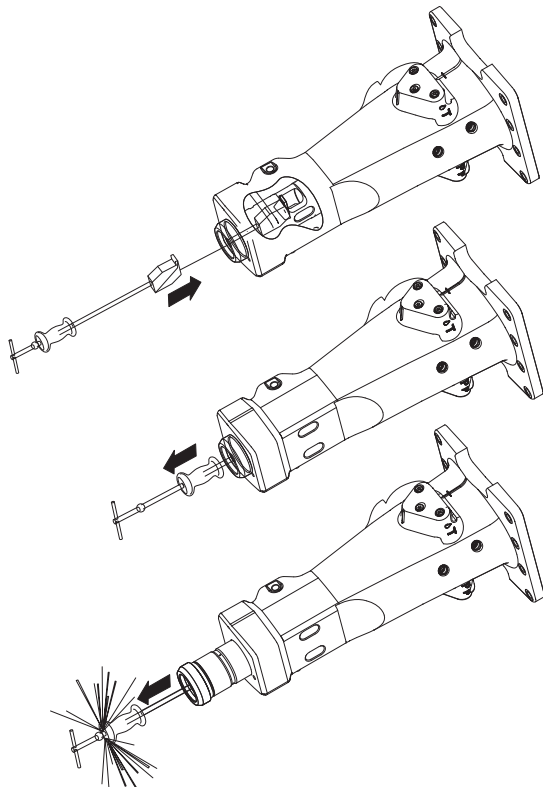
## Limiti di usura

	B mm (in.)	C mm (in.)
SB 52	42 (1,6)	38 (1,5)
SB 102	47 (1,8)	43 (1,7)
SB 152	52 (2,0)	48 (1,9)
SB 202	68 (2,7)	63 (2,5)
SB 302	83 (3,3)	78 (3,1)
SB 452	98 (3,85)	92 (3,6)
SB 552	103 (4,1)	97 (3,8)

## Sostituzione della bussola dell'utensile di lavoro

La bussola dell'utensile di lavoro è fissato dai trattenitori dell'utensile. La bussola è di facile installazione.

1. Se una bussola usurata si blocca, usare una pressa per rimuoverla.



2. Pulire con attenzione il foro e l'area della sede della bussola.
3. Inserire nuovi o-ring, lubrificare e montare la bussola.
4. Utilizzare una pressa in plastica per inserire la bussola.
5. Mantenere la bussola in posizione con l'aiuto dei trattenitori dell'utensile.
6. Montare un nuovo anello raschiatore.

## Annuale

Eseguire una revisione dopo 1 anno di lavoro continuativo. La revisione deve essere effettuata per ragioni di sicurezza da parte di personale autorizzato presso l'officina Atlas Copco più vicina o altre officine Atlas Copco autorizzate.

## Immagazzinamento

**▲ ATTENZIONE** La caduta del demolitore può causare lesioni

- Collocare il demolitore idraulico posizione sicura, in modo tale che non possa cadere e causare danni.

Se il demolitore idraulico non si usa per molto tempo per proteggerlo dalla corrosione tener presenti i seguenti punti:

1. Pulire scrupolosamente il demolitore idraulico.
2. Smontare l'utensile di lavoro e lubrificare la parte anteriore del pistone, la bussola e il blocco dei trattenitori dell'utensile.
3. Immagazzinare il demolitore idraulico in un luogo asciutto.

## Smaltimento

Una macchina usata si deve trattare in maniera tale che la maggior parte possibile di grasso possa essere riciclata e che eventuali influenze negative sull'ambiente vengano ridotte al minimo.

Prima dello smaltimento di una macchina usata, la si deve svuotare e ripulire da tutto l'olio idraulico. L'olio idraulico rimanente si deve depositare, mantenendo al minimo possibile ogni influenza negativa sull'ambiente.

## Dati tecnici

### Dati della macchina

	SB 52	SB 102	SB 152	SB 202	SB 302	SB 452	SB 552
Numero d'ordine	8460 0300 10	8460 0300 30	8460 0300 40	8460 0300 50	8460 0300 60	8460 0300 70	8460 0300 80
Peso in esercizio (kg)	55	87	140	201	310	441	521
Peso alla consegna (kg)	44	68	110	154	224	321	390
Diametro della bussola dell'utensile (mm)	40	45	50	65	80	95	100

### Capacità

	SB 52	SB 102	SB 152	SB 202	SB 302	SB 452	SB 552
Tonnellate min—max mezzi portanti idonei	0.7–1.1	1.1–3.0	1.9–4.5	2.5–6.0	4.5–9	6.5–13	9–15
Flusso olio (l/min)	15–32	16–35	25–45	35–66	50–80	55–100	65–115
Frequenza di battuta (battute/min)	960–2160	720–2280	840–1920	840–1800	600–1380	540–1260	660–1140
Pressione di esercizio (bar)	100–150	100–150	100–150	100–150	100–150	100–150	100–150
Massima contropressione (bar)	25	18	25	25	26	21	18
Pressione accumulatore (bar)	40	40	40	40	40	40	40
Valvola di massima pressione (bar)	170	170	170	170	170	180	170
Pressione acqua (bar)	-	-	4	4	4	4	4
Consumo acqua (l/min)	-	-	≤5	≤5	≤9	≤9	≤9
Pressione aria (bar)	2	2	2	2	2	2	2
Portata aria (l/min)	≤730	≤730	≤730	≤730	≤730	≤730	≤730

### Dichiarazione in materia di rumore

	SB 52	SB 102	SB 152	SB 202	SB 302	SB 452	SB 552
Pressione sonora <sup>1</sup> dB(A)	89	87	86	90	91	94	98
Potenza suono <sup>2</sup> dB(A)	117	115	114	118	119	122	126

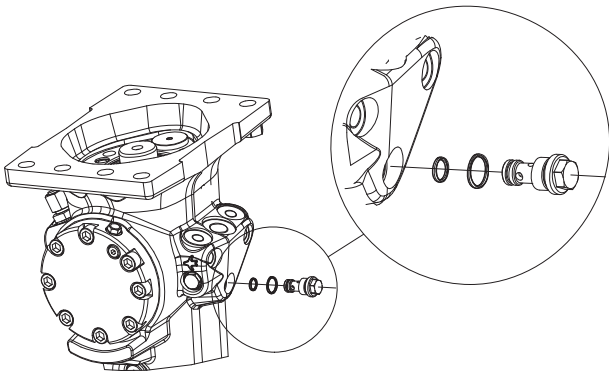
<sup>1</sup> Livello della pressione sonora secondo EN ISO 3744 sulla base della direttiva 2000/14/CE a una distanza di 10 metri.

<sup>2</sup> Livello di potenza sonora garantito secondo EN ISO 3744 sulla base della direttiva 2000/14/CE compresa variabile in produzione.

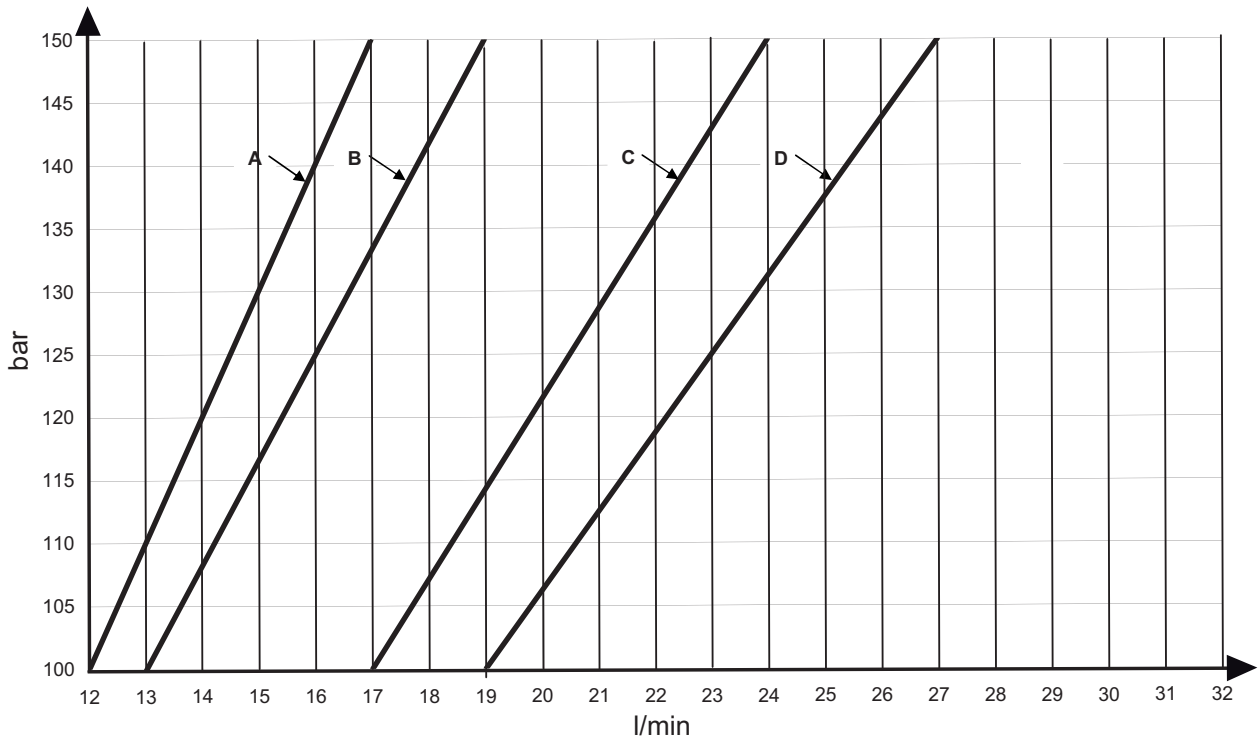
### Diagrammi di flusso per la pressione operativa corretta

La portata dell'olio del mezzo portante può essere variata per ottenere la pressione operativa corretta. I restrittori si possono ordinare facendo riferimento all'elenco dei pezzi di ricambio.

I diagrammi mostrano la portata ad una viscosità di 32 cSt.

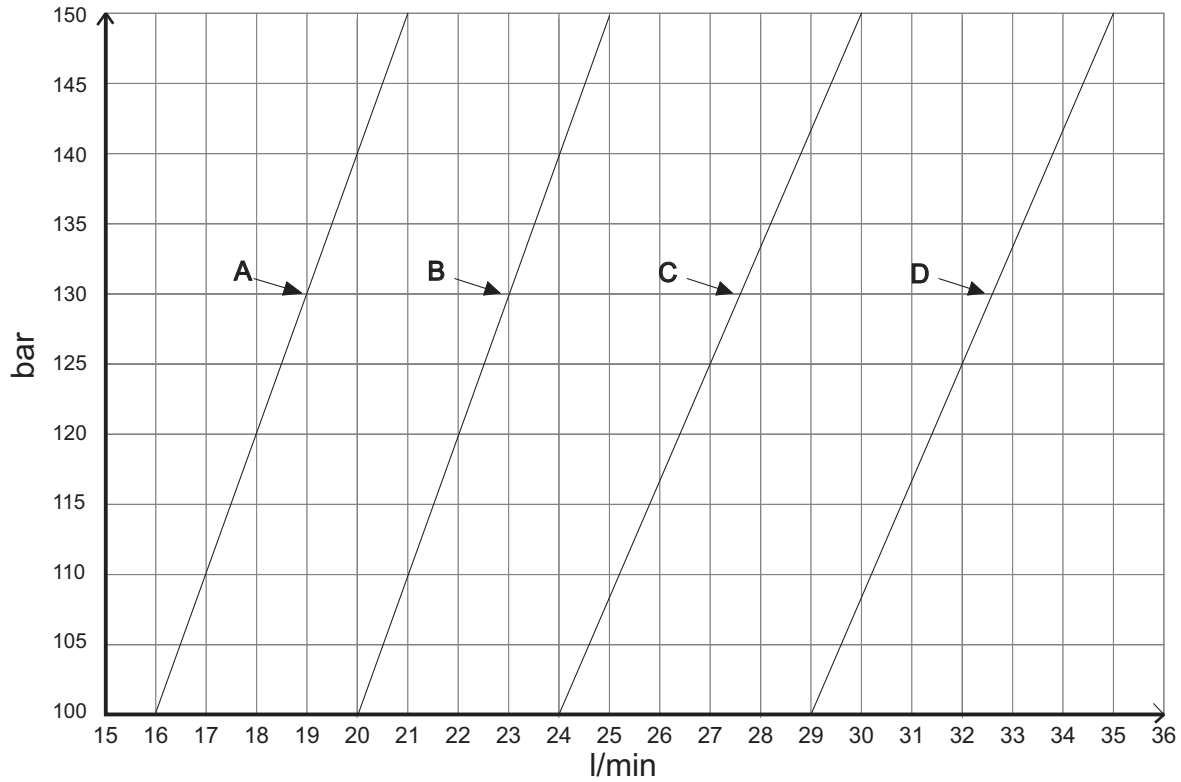


**SB 52: 100-150 bar**



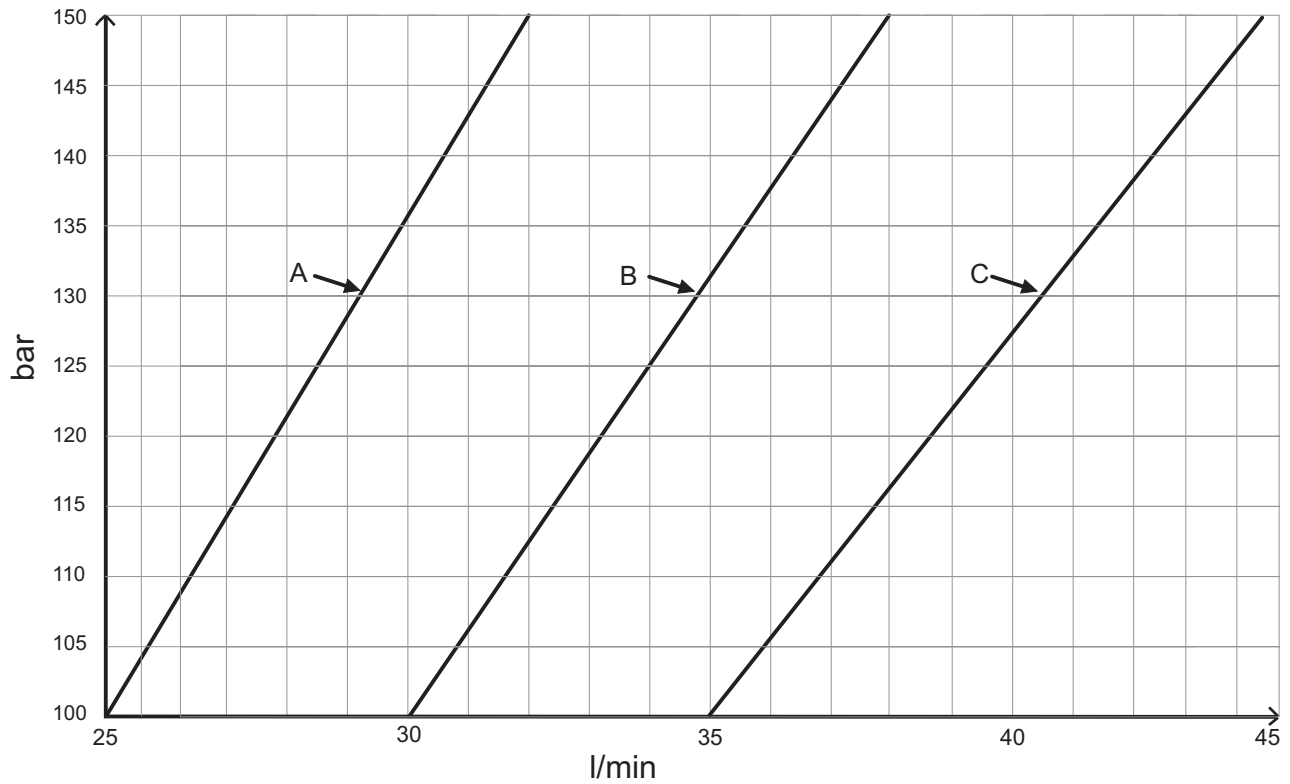
Strozzatore	Codice	Strozzatore	Codice
A	3315 2875 22	C	3315 2875 36
B	3315 2875 24	D (Standard)	3315 2875 37

**SB 102: 100-150 bar**



Strozzatore	Codice	Strozzatore	Codice
A	3315 2875 36	C	3315 2875 38
B	3315 2875 37	D (Standard)	3315 2875 35

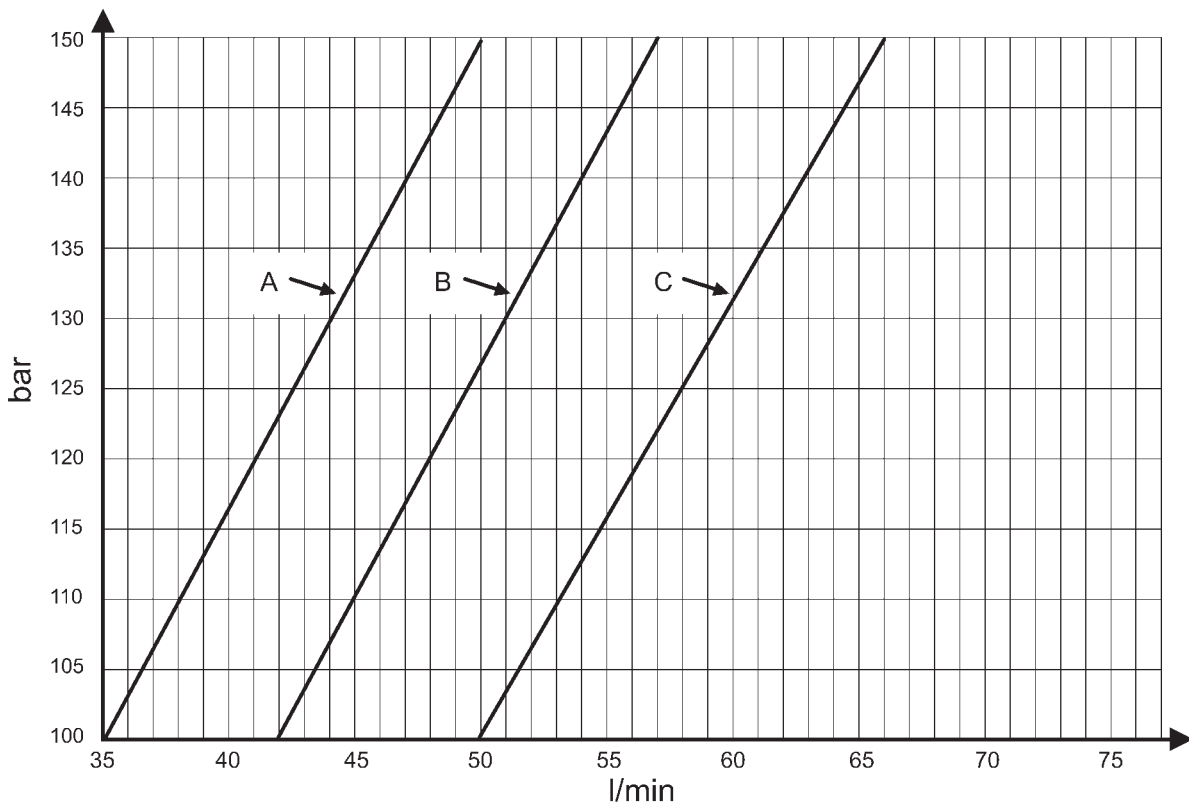
## SB 152: 100-150 bar



Strozzatore	Codice	Strozzatore	Codice
A	3315 2875 40	C (Standard)	3315 2875 51
B	3315 2875 35		

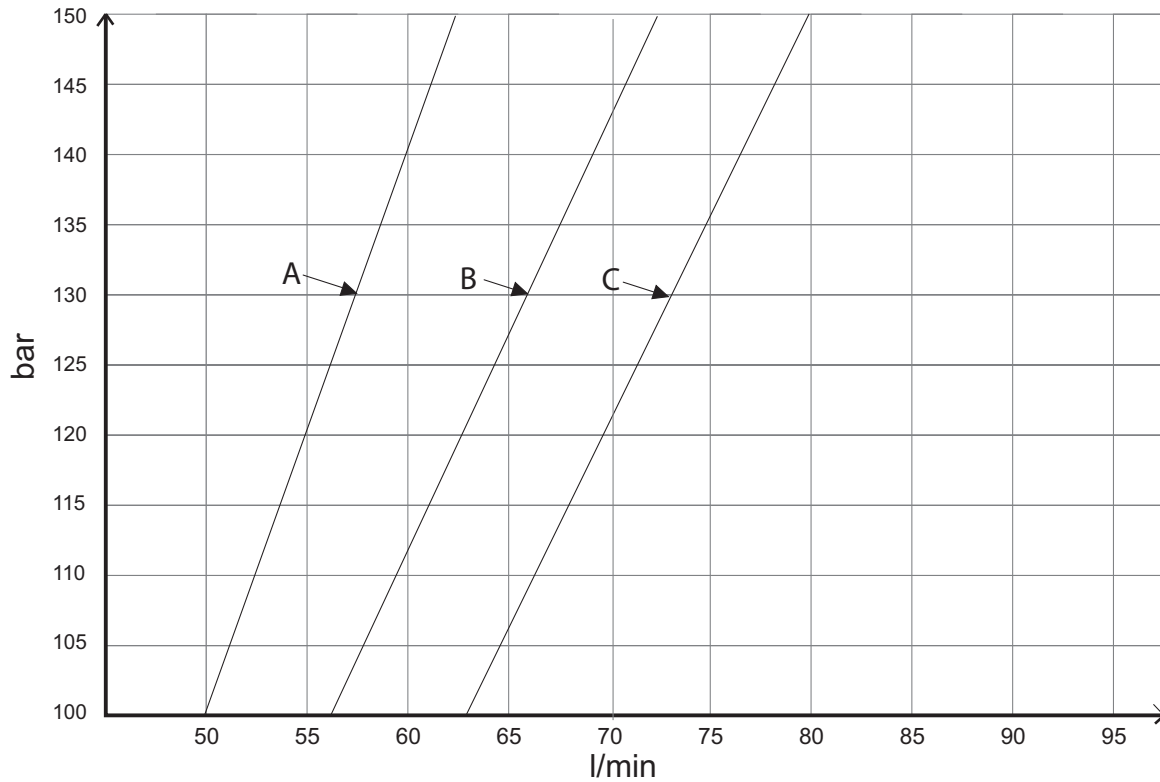


**SB 202: 100-150 bar**



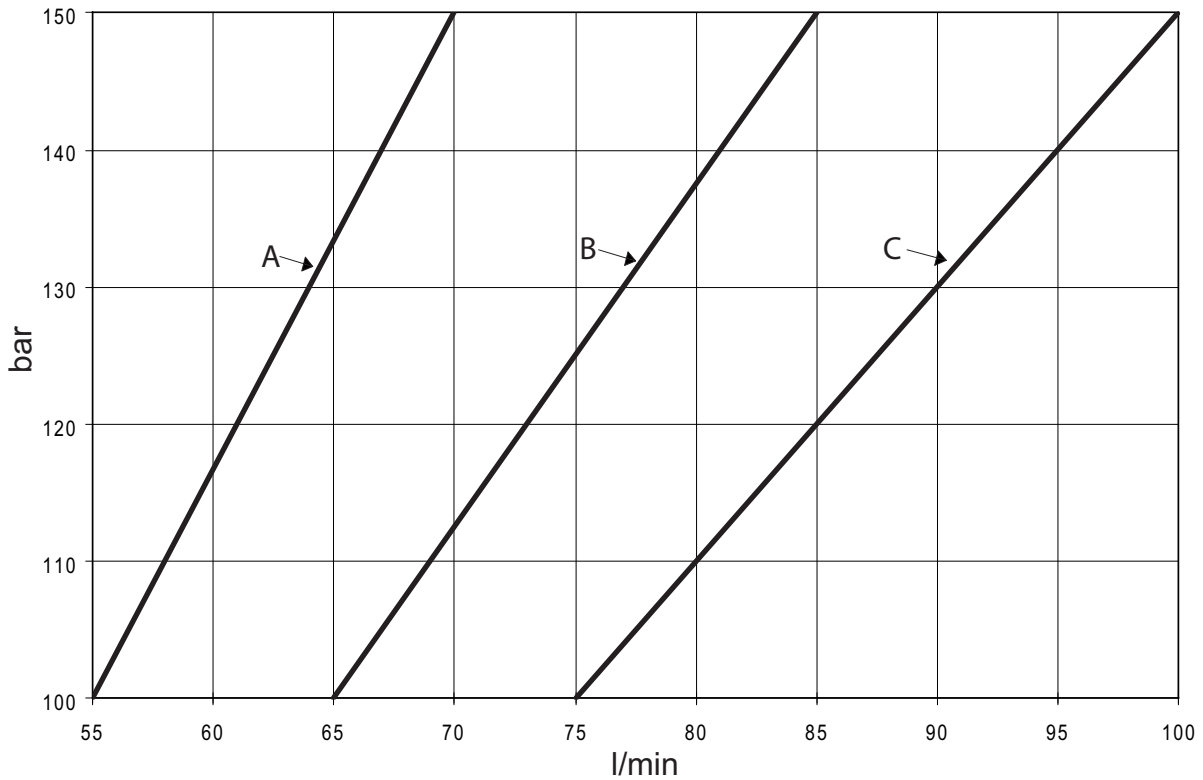
Strozzatore	Codice	Strozzatore	Codice
A	3315 2875 45	C (Standard)	3315 3040 80
B	3315 2875 55		

## SB 302: 100-150 bar



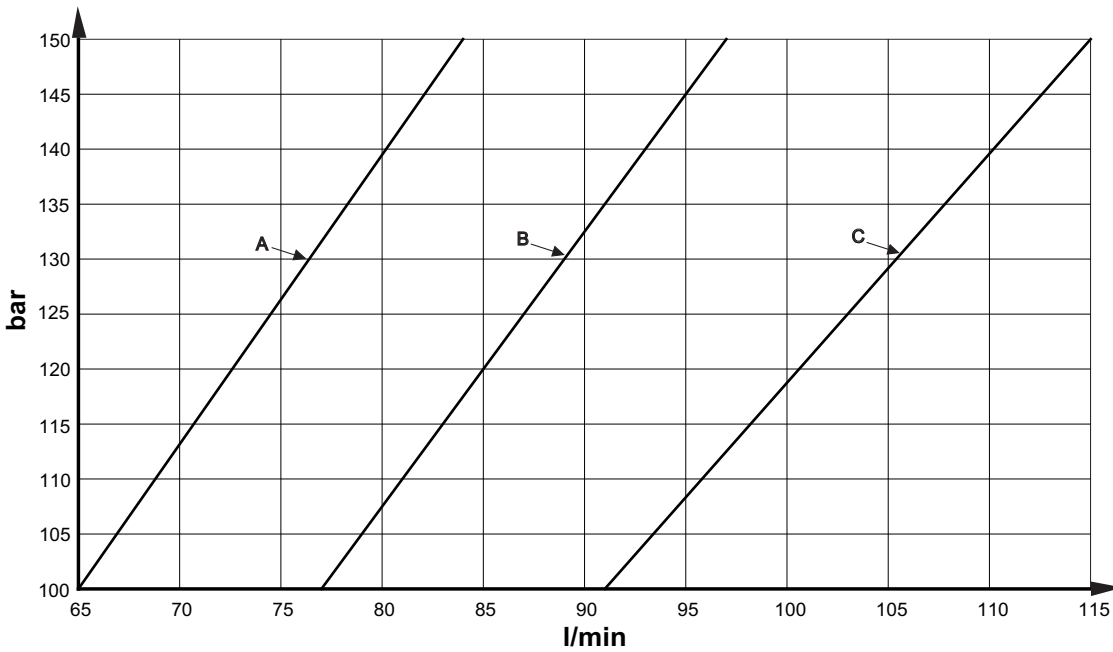
Strozzatore	Codice	Strozzatore	Codice
A	3315 3588 54	C (Standard)	3315 3588 63
B	3315 3152 35		

**SB 452: 100–150 bar**



Strozzatore	Codice	Strozzatore	Codice
A	3315 3152 35	C (Standard)	3315 3152 53
B	3315 3152 45		

**SB 552: 100-150 bar**



Strozzatore	Codice	Strozzatore	Codice
A	3315 3152 35	C (Standard)	3315 3152 55
B	3315 3152 45		

## NEDERLANDS

# Inhoud

Inleiding.....	167
Over de veiligheidsvoorschriften en bedieningshandleiding.....	167
<b>Veiligheidsvoorschriften.....</b>	<b>168</b>
<b>Veiligheidssignaaltermen.....</b>	<b>168</b>
<b>Persoonlijke voorzorgsmaatregelen en kwalificaties.....</b>	<b>168</b>
Transport.....	168
Installatie, opslag, onderhoud en vernietiging.....	168
Bediening.....	168
Testen.....	168
Persoonlijke veiligheidsuitrusting.....	168
Drugs, alcohol of medicijnen.....	169
<b>Carrier, voorzorgsmaatregelen.....</b>	<b>169</b>
<b>Installatie, voorzorgsmaatregelen.....</b>	<b>169</b>
Hydraulisch systeem.....	169
Monteren / Demonteren.....	169
<b>Bediening, voorzorgsmaatregelen.....</b>	<b>170</b>
<b>Opslag, voorzorgsmaatregelen.....</b>	<b>171</b>
<b>Onderhoud, voorzorgsmaatregelen.....</b>	<b>171</b>
<b>Overzicht.....</b>	<b>172</b>
<b>Ontwerp en functie.....</b>	<b>172</b>
<b>Hoofdonderdelen.....</b>	<b>172</b>
<b>Plaatjes en stickers.....</b>	<b>172</b>
Gegevensplaatje.....	173
Geluidsniveauplaatje.....	173
Aanduidingen op de accumulator.....	173
<b>Transport.....</b>	<b>173</b>
<b>Optakelen van de hydraulische sloophamer.....</b>	<b>173</b>
<b>Installatie.....</b>	<b>174</b>
<b>Slangen en aansluitingen.....</b>	<b>174</b>
<b>De hydraulische olie.....</b>	<b>175</b>
<b>Monteren.....</b>	<b>175</b>
<b>Drukafstelling.....</b>	<b>176</b>
<b>Waterstroom.....</b>	<b>176</b>
<b>Inzetgereedschap.....</b>	<b>177</b>
Selecteren van het juiste inzetgereedschap.....	177
Conische breekpunt.....	177
Beitels en schoppen.....	177
Stomp gereedschap.....	177
Monteren en demonteren van het inzetgereedschap.....	177
<b>Bediening.....</b>	<b>178</b>
<b>Vorbereiding voor het breken.....</b>	<b>178</b>
Werktemperaturen.....	178
Motor omw/min.....	178
<b>Bediening.....</b>	<b>178</b>
Breken.....	178
Slopen onder water.....	180
<b>Onderhoud.....</b>	<b>180</b>
<b>Om de twee uur.....</b>	<b>180</b>
Smeren met een vetpistool.....	180

Centraal smeersysteem.....	181
<b>Iedere dag</b> .....	181
<b>Iedere week</b> .....	181
Slijtagegrenzen.....	181
Vervangen van de werkgereedschapsbus.....	182
<b>Ieder jaar</b> .....	182
<b>Opslag</b> .....	182
<b>Opruimen</b> .....	182
<b>Technische gegevens</b> .....	183
<b>Machinegegevens</b> .....	183
<b>Vermogens</b> .....	183
<b>Geluidsverklaring</b> .....	183
<b>Stroomdiagrammen voor de correcte werkdruk</b> .....	184
SB 52: 100–150 bar.....	184
SB 102: 100–150 bar.....	185
SB 152: 100–150 bar.....	186
SB 202: 100–150 bar.....	187
SB 302: 100–150 bar.....	188
SB 452: 100–150 bar.....	189
SB 552: 100–150 bar.....	189



## Inleiding

Dank u voor het kiezen van een product van Atlas Copco. Sinds 1873 zetten we ons al in voor het vinden van nieuwe en betere manieren om te voorzien in de behoeften van onze klanten. Door de jaren heen hebben we innovatieve en ergonomische producten ontwikkeld die onze klanten hielpen hun dagelijkse werkzaamheden te verbeteren en te rationaliseren.

Atlas Copco beschikt over een sterk wereldwijd verkoop- en servicenetwerk, bestaand uit klantencentra en distributeurs over de gehele wereld. Onze experts zijn hoog opgeleide professionals met uitgebreide productkennis en praktijkervaring. In alle uithoeken van de wereld kunnen we productondersteuning en expertise bieden, om ervoor te zorgen dat onze klanten op ieder moment kunnen werken met maximale efficiëntie.

Bezoek voor meer informatie: [www.atlascopco.com](http://www.atlascopco.com)

## Over de veiligheidsvoorschriften en bedieningshandleiding

Het doel van de voorschriften is u te voorzien van de kennis van hoe het op een efficiënte en veilige wijze gebruiken van de hydraulische sloophamer. De voorschriften geven u ook advies en vertellen u hoe u regelmatig onderhoud aan de hydraulische sloophamer moet uitvoeren.

Voordat u de hydraulische sloophamer voor het eerst gaat gebruiken, moet U deze voorschriften zorgvuldig lezen en zorgen dat u alles begrijpt.

## Veiligheidsvoorschriften

Om de kans op ernstig letsel of zelfs overlijden voor uzelf of anderen te reduceren, deze veiligheidsvoorschriften lezen voordat u de machine gaat gebruiken.

Hang deze veiligheidsvoorschriften op bij werkplekken, zorg voor kopieën voor werknemers en verzeker u ervan dat iedereen de veiligheidsvoorschriften leest voor gebruik van of voor servicewerkzaamheden aan de machine.

Voldoe aan alle veiligheidsvoorschriften.

## Veiligheidssignaaltermen

De veiligheidssignaaltermen Gevaar, Waarschuwing en Voorzichtig hebben de volgende betekenissen:

<b>GEVAAR</b>	Duidt op een gevaarlijke situatie die, indien deze niet wordt vermeden, de dood of ernstig letsel tot gevolg zal hebben.
<b>WAARSCHUWING</b>	Duidt op een gevaarlijke situatie die, indien deze niet wordt vermeden, de dood of ernstig letsel tot gevolg kan hebben.
<b>VOORZICHTIG</b>	Duidt op een gevaarlijke situatie die, indien deze niet wordt vermeden, gering of middelzwaar letsel tot gevolg kan hebben.

## Persoonlijke voorzorgsmaatregelen en kwalificaties

Alleen gekwalificeerde en opgeleide personen mogen de machine bedienen en onderhouden. Gebruik altijd uw gezond verstand en beoordelingsvermogen.

### Transport

Transport van de hydraulische sloophamer mag alleen worden ondernomen door personen die:

- bevoegd zijn een kraan of vorkheftruck te bedienen in overeenstemming met de geldende nationale richtlijnen,
- zich bewust zijn van alle relevante nationale veiligheidsvoorschriften en instructies om ongevallen te voorkomen,
- en de hoofdstukken over veiligheid en transport in deze handleiding hebben gelezen en begrepen.

### Installatie, opslag, onderhoud en vernietiging

De installatie, opslag, onderhoud en vernietiging van de hydraulische breekhamer mogen alleen worden uitgevoerd door personen die:

- zich bewust zijn van alle relevante nationale veiligheidsvoorschriften en instructies om ongevallen te voorkomen
- en de veiligheidsvoorschriften en bedieningshandleiding hebben gelezen en begrepen.

### Bediening

Het bedienen van de hydraulische breekhamer mag alleen worden gedaan door gekwalificeerde drageroperators. Drageroperators zijn gekwalificeerd als ze:

- zijn opgeleid voor het bedienen van een drager in overeenstemming met de nationale richtlijnen.
- zich bewust zijn van alle relevante nationale veiligheidsvoorschriften en instructies om ongevallen te voorkomen,
- en de veiligheidsvoorschriften en bedieningshandleiding hebben gelezen en begrepen.

### Testen

Het testen van de hydraulische breekhamer mag alleen worden uitgevoerd door professionele monteurs. De monteurs moeten bevoegd zijn een hydraulische systeem te bedienen in overeenstemming met de nationale richtlijnen.

### Persoonlijke veiligheidsuitrusting

Gebruik altijd goedgekeurde beschermende uitrusting. Gebruikers en alle andere personen binnen het werkgebied moeten beschermende uitrusting dragen, minimaal bestaand uit:

- Veiligheidshelm
- Gehoorbescherming
- Slagvaste oogbescherming met zijwaartse bescherming
- Bescherming van de luchtwegen indien van toepassing
- Veiligheidshandschoenen
- Geschikte veiligheidsschoenen/laarzen



## Drugs, alcohol of medicijnen

### ▲ WAARSCHUWING Drugs, alcohol of medicijnen

Drugs, alcohol en medicijnen kunnen uw beoordelings- en concentratievermogen beïnvloeden. Een gebrekkig reactievermogen en onjuiste beoordelingen kunnen leiden tot ernstige ongevallen of zelfs de dood.

- ▶ Gebruik de machine nooit als u vermoeid bent of onder de invloed van drugs, alcohol of medicijnen.
- ▶ Geen enkele persoon die onder de invloed is van drugs, alcohol of medicijnen mag de machine bedienen.

## Carrier, voorzorgsmaatregelen

Voor het gebruik of vervoer van de drager waaraan de hydraulische sloophamer is bevestigd, dient u de veiligheidsvoorschriften en bedieningshandleiding van de fabrikant van de drager te lezen.

Zorg ervoor dat de drager is uitgerust met adequate beschermende voorzieningen, waaronder een beschermend scherm voor de operator.

De hydraulische sloophamer dient alleen te worden gemonteerd op een drager met voldoende laadvermogen.

Dragers zonder voldoende laadvermogen zullen niet de vereiste mate van stabiliteit leveren en kunnen zelfs omslaan tijdens het gebruik van de hydraulische sloophamer, waardoor letsel en schade kunnen worden veroorzaakt.

## Installatie, voorzorgsmaatregelen

### Hydraulisch systeem

#### ▲ GEVAAR Gecomprimeerd gas, explosiegevaar

De accumulator staat ook onder druk als het hydraulisch systeem is afgezet. Het demonteren van de accumulator zonder eerst het stikstofgas te laten ontsnappen, kan ernstig persoonlijk letsel of de dood veroorzaken.

- ▶ Vul de hogedrukaccumulator alleen met stikstof (N<sub>2</sub>).
- ▶ Alleen bevoegd personeel is gekwalificeerd om werkzaamheden aan de accumulator te verrichten.

#### ▲ WAARSCHUWING Hydraulische olie onder hoge druk

Fijne stralen hydraulische olie onder hoge druk kunnen binnendringen in de huid en blijvende schade veroorzaken.

- ▶ Raadpleeg onmiddellijk een arts als hydraulische olie de huid is binnen gedrongen.
- ▶ Gebruik nooit uw vingers om te controleren op lekken van hydraulische vloeistof.
- ▶ Houd uw gezicht weg bij mogelijke lekken.

#### ▲ WAARSCHUWING Hydraulische olie

Gemorste hydraulische olie kan brandwonden en ongevallen veroorzaken doordat glibberige omstandigheden worden gecreëerd en zal ook het milieu schaden.

- ▶ Ruim alle gemorste olie op en voer deze af conform uw veiligheids- en milieuvoorschriften.
- ▶ Demonteer de hydraulische sloophamer nooit als de hydraulische olie heet is.
- ▶ Trek nooit hydraulische leidingen voor bevestiging van de hydraulische sloophamer door de chauffeurscabine.

#### ▲ VOORZICHTIG Huideczeem

Hydraulische olie kan eczeem veroorzaken als deze in aanraking komt met de huid.

- ▶ Voorkom dat u hydraulische olie op uw handen krijgt.
- ▶ Draag altijd veiligheidshandschoenen als u werkt met hydraulische olie.

### Monteren / Demonteren

#### ▲ WAARSCHUWING Bewegende onderdelen

Risico van verbrijzelde handen en vingers.

- ▶ Boringen of passages nooit controleren met handen of vingers.
- ▶ Bewegingen van de arm mogen alleen plaatsvinden in samenwerking met het personeel dat de hydraulische sloophamer monteert.
- ▶ Als de hydraulische sloophamer is gemonteerd op een snelkoppeling, zorg er dan voor dat deze goed is vergrendeld en dat alle risico's dat de hydraulische sloophamer losraakt zijn geëlimineerd.

## Bediening, voorzorgsmaatregelen

### ▲ GEVAAR Explosiegevaar

Als een inzetgereedschap in contact komt met explosieven of explosieve gassen, zou een explosie kunnen plaatsvinden. Tijdens het werken met bepaalde materialen kunnen vonken en een ontsteking ontstaan. Explosies zullen leiden tot ernstig letsel of zelfs de dood.

- ▶ De machine nooit in een explosieve omgeving gebruiken.
- ▶ Gebruik de machine nooit in de nabijheid van ontvlambare materialen, gassen of stof.
- ▶ Controleer of er geen ongedetecteerde gasbronnen of explosieven zijn.

### ▲ WAARSCHUWING Werkdruk

Als de maximum werkdruk voor de hydraulische sloophamer wordt overschreden, kan de accumulator te veel opgeladen worden, hetgeen in materiële schade en persoonlijk letsel kan resulteren.

- ▶ Laat de hydraulische sloophamer altijd werken met de juiste werkdruk. Zie "Technische gegevens".

### ▲ WAARSCHUWING Silicaatgevaar

Blootstelling aan kristalsilicaat (soms ook wel 'silicaatstof' genoemd) als een resultaat van slopen of andere werkzaamheden met steen, beton, asfalt of andere materialen, kan silicose (een ernstige longaandoening), aan silicose gerelateerde ziekten, kanker of de dood veroorzaken. Silicaat is een belangrijke component van steen, zand en minerale ertsen.

- ▶ SB sloophamers zijn voorbereid voor stofonderdrukking om de blootstelling aan silicaat te reduceren.

### ▲ WAARSCHUWING Stofgevaar

Sommige stoffen, dampen of ander materialen in de lucht, die worden gecreëerd tijdens het gebruik van de machine, kunnen chemicaliën bevatten die in de staat Californië (USA) erom bekend staan dat ze kanker en geboortefwijkingen of andere voortplantingsproblemen kunnen veroorzaken.

Enkele voorbeelden van dergelijke chemicaliën zijn:

- Kristalsilicaat, cement en andere metselwerkproducten.
  - Arseen en chroom van chemisch behandeld rubber.
  - Lood van op lood gebaseerde verfstoffen.
- ▶ Om uw blootstelling aan deze chemicaliën te reduceren, moet u werken op een goed geventileerde plaats en werken met een goedgekeurde veiligheidsuitrusting, zoals stofmaskers die speciaal werden geconstrueerd om microscopische deeltjes uit te filteren.

### ▲ WAARSCHUWING Elektrische schok

De hydraulische sloophamer is niet geïsoleerd tegen elektrische stroom. Mocht de hydraulische sloophamer in contact komen met elektrische circuits of andere elektrische stroombronnen, dan bestaat de kans op ernstig letsel of de dood.

- ▶ Werk nooit in de nabijheid van elektrische circuits of andere elektrische stroombronnen.
- ▶ Controleer of er geen verborgen elektrische circuits zijn in het gebied waarin u werkt.

### ▲ WAARSCHUWING Projectielen

Tijdens het slopen kunnen splinters of andere deeltjes projectielen worden en lichamelijk letsel veroorzaken door de operator of andere personen te raken. Kleine objecten die van grote hoogte vallen, kunnen veel schade veroorzaken.

- ▶ Sluit het werkterrein af.
- ▶ Voordat u begint ervoor zorgen dat zich geen personen in de risicozone (20 meter) van de hydraulische sloophamer bevinden, zowel horizontaal als verticaal.
- ▶ Onmiddellijk de hydraulische sloophamer afzetten als personen aanwezig zijn in de gevarenzone.

### ▲ WAARSCHUWING Gevaar veroorzaakt door geluid

Hoge geluidsniveaus kunnen blijvend gehoorverlies veroorzaken.

- ▶ Gebruik een gehoorbescherming in overeenstemming met de beroepsgezondheids- en veiligheidsvoorschriften.

## Opslag, voorzorgsmaatregelen

---

### **▲ WAARSCHUWING** De hydraulische sloophamer en het werktgereedschap zijn zwaar

- ▶ Berg de hydraulische sloophamer en het werktgereedschap zo op dat naar beneden vallen of rollen wordt voorkomen.

## Onderhoud, voorzorgsmaatregelen

---

### **▲ WAARSCHUWING** Onopzettelijk starten

Een onbedoeld starten van de hydraulische sloophamer kan leiden tot ernstig letsel.

- ▶ Volg de instructies in de bedieningshandleiding van de drager om onbedoeld starten van de hydraulische sloophamer te voorkomen.
- ▶ De installatie van een startcircuit voor de hydraulische sloophamer moet plaatsvinden op een manier die onbedoeld starten voorkomt.
- ▶ Een voetpedaal op de drager moet worden uitgerust met een beschermkap.

### **▲ WAARSCHUWING** Hydraulisch systeem onder hoge druk

Onderhoudswerkzaamheden aan een hydraulische sloophamer onder druk kunnen leiden tot ernstig letsel. Aansluitingen kunnen plotseling losraken, onderdelen kunnen opeens gaan bewegen en hydraulische olie kan worden uitgeworpen.

- ▶ Los eerst de druk van het hydraulisch systeem alvorens onderhoud te plegen aan de hydraulische sloophamer of de drager.

### **▲ WAARSCHUWING** Machinemodificatie

Iedere modificatie van de machine kan resulteren in lichamelijk letsel voor u zelf of anderen.

- ▶ De machine nooit modificeren.
- ▶ Gebruik altijd originele onderdelen en accessoires die zijn goedgekeurd door Atlas Copco.

### **▲ VOORZICHTIG** Heet inzetgereedschap

De punt van het inzetgereedschap wordt heet tijdens het gebruik. Het aanraken ervan kan leiden tot brandwonden.

- ▶ Nooit een heet inzetgereedschap aanraken.
- ▶ Wacht tot het inzetgereedschap is afgekoeld alvorens onderhoudswerkzaamheden uit te voeren.

## Overzicht

Om het risico van ernstig letsel of overlijden voor u zelf of anderen te reduceren, dient u voordat u de machine gaat gebruiken de Veiligheidsvoorschriften te lezen, die u vindt op de voorgaande pagina's van dit handboek.

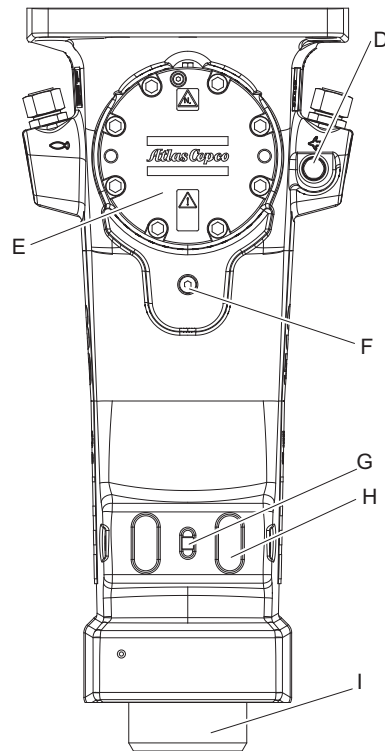
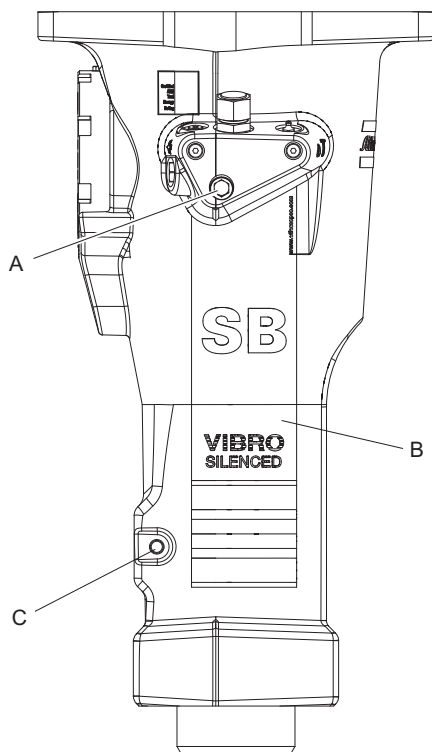
## Ontwerp en functie

SB is een programma van op een installatie gemonteerde sloophamers die werden geconstrueerd voor allerlei sloopwerkzaamheden.

SB staat voor Solid Body hetgeen betekent dat het lichaam van de sloophamer is gemaakt uit één stuk. De accumulator is geïntegreerd in het lichaam.

De hydraulische sloophamer wordt bediend vanuit de chauffeurscabine van de drager met behulp van het hydraulisch systeem van de drager. De breekfrequentie wordt geregeld door de oliestroom van de drager.

## Hoofdonderdelen

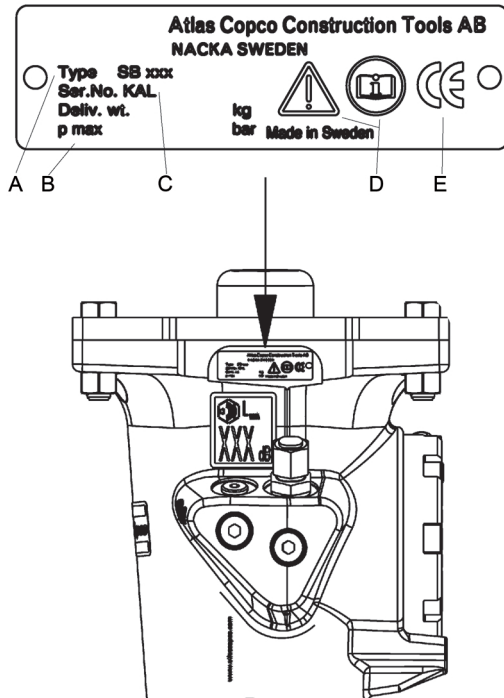


- A. Begrenzer
- B. Hamerlichaam
- C. Borgpen
- D. Drukontlastingsklep
- E. Accumulator
- F. Olieaftapplug
- G. Vergrendelingsbuffer
- H. Gereedschapshouder
- I. Bus

## Plaatjes en stickers

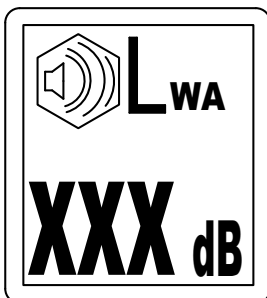
De machine is uitgerust met plaatjes en stickers met belangrijke informatie over persoonlijke veiligheid en machineonderhoud. De plaatjes en stickers moeten altijd makkelijk leesbaar zijn. Nieuwe plaatjes en stickers kunnen worden besteld met behulp van de lijst van reserveonderdelen.

## Gegevensplaatje



- A. Machinetype
- B. Maximale hydraulische druk
- C. Serienummer
- D. Het waarschuwingssymbool samen met het boeksymbool betekent dat de gebruiker de veiligheidsvoorschriften en de bedieningshandleiding moet lezen voordat de machine voor het eerst wordt gebruikt.
- E. Het CE-symbool betekent dat de machine CE is goedgekeurd. Zie de CE-verklaring van overeenstemming die bij de machine wordt geleverd voor meer informatie.

## Geluidsniveauplaatje



De sticker geeft aan dat de gegarandeerde geluidsniveau-indicator correspondeert met de EU-richtlijn 2000/14/EC. Zie "Technische gegevens" voor het exacte geluidsniveau.

## Aanduidingen op de accumulator



Lees de revisievoorschriften zorgvuldig door voordat service wordt verleend of vervanging plaatsvindt.



De accumulator mag alleen worden opgeladen met stikstof.

*LET OP!* Alleen gecertificeerd personeel mag werkzaamheden aan de accumulator verrichten.

## Transport

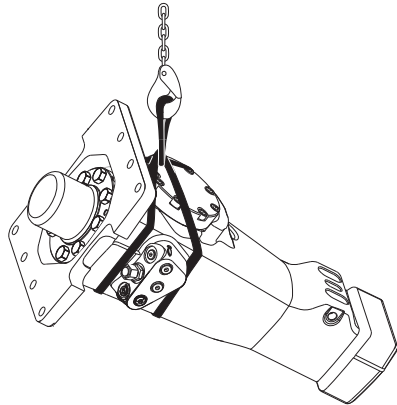
## Optakelen van de hydraulische sloophamer

**▲ WAARSCHUWING** Een vallende sloophamer kan letsel veroorzaken

- Plaats de sloophamer in een veilige positie zodat hij niet om kan vallen en schade veroorzaken.

Controleer zorgvuldig of de drager stabiel genoeg is bij het transporteren van of onderhoud plegen of het verrichten van andere werkzaamheden aan de hydraulische sloophamer.

De hydraulische sloophamer wordt geleverd in een kist. Om de hydraulische sloophamer er op een veilige manier uit te tillen, wordt de takelstrop gemonteerd op de manier zoals op onderstaande afbeelding wordt getoond.



## Installatie

Voorafgaand aan het installeren van de hydraulische sloophamer op de drager of deze te bedienen, eerst de bedieningshandleiding en veiligheidsvoorschriften lezen die worden geleverd door de fabrikant van de drager. Volg alle voorschriften op.

De drager moet beschikken over het geschikte hydraulisch systeem voor het bedienen van de sloophamer.

Als de drager te groot is voor de hydraulische sloophamer, kan dat leiden tot kappotte gereedschappen en meer slijtage. Zie "Technische gegevens" voor het kiezen van de geschikte drager.

De veiligheidsuitrusting van het hydraulisch systeem moet voor gebruik worden gecontroleerd op kwaliteit (CE-markering etc.), geschiktheid en functionaliteit door een professionele/erkende controleur.

## Slangen en aansluitingen

### ▲ WAARSCHUWING Rondslaande hydraulische slang

Hydraulische slangen onder druk kunnen ongecontroleerd gaan zwiepen als schroeven los gaan zitten of losgedraaid worden. Een zwiepende hydraulische slang kan ernstig letsel veroorzaken.

- ▶ Laat de druk uit het hydraulisch systeem ontsnappen voordat u de aansluiting van een hydraulische slang losneemt.
- ▶ Haal de moeren op de aansluitingen van de hydraulische slangen aan tot het vereiste koppel.

Type nippel: Atlas Copco ORFS standaardnippel. De nippelafmetingen vindt u in de lijst met reserveonderdelen.

De kwaliteit van de hydraulische slangen moet 2SC (conform EN 857) of hoger zijn als de sloophamer wordt aangesloten op de drager. Als snelkoppelingen worden gebruikt, bevelen we de platte snelkoppelingen aan. Dit type is duurzaam en eenvoudig te reinigen. De drukklasse van de snelkoppelingen moet overeenkomen met de werkdruk van de drager.

Reinig de snel koppelingen altijd voordat ze worden gemonteerd of gedemonteerd. Slangen en slangnippels altijd pluggen met goed passende en schone pluggen bij het demonteren.

### Slangaansluitingen

#### Rechts (Gezien vanaf de plaats van de operator)

	Luchtstroom	Centrale smering	Tank, retourleiding
Symbol			
SB 52	G 1/4"	G 1/4"	G 3/8"
SB 102	G 1/4"	G 1/4"	G 1/2"
SB 152	G 1/4"	G 1/4"	G 1/2"
SB 202	G 1/4"	G 1/4"	G 1/2"
SB 302	G 1/4"	G 1/4"	G 3/4"
SB 452	G 1/4"	G 1/4"	G 3/4"
SB 552	G 1/4"	G 1/4"	G 1"

### Slangaansluitingen

#### Links (Gezien vanaf de plaats van de operator)

	Water	Druk naar sloophamer	Druk voor ContiLube®II
Symbol			
SB 52	-	G 3/8"	G 1/4"
SB 102	-	G 1/2"	G 1/4"
SB 152	G 1/4"	G 1/2"	G 1/4"
SB 202	G 1/4"	G 1/2"	G 1/4"
SB 302	G 1/4"	G 3/4"	G 1/4"
SB 452	G 1/4"	G 3/4"	G 1/4"
SB 552	G 1/4"	G 1"	G 1/4"

### Aanhaalkoppel voor druk en retour slang

SB 52	60 Nm
SB 102	150 Nm
SB 152	150 Nm
SB 202	150 Nm
SB 302	210 Nm
SB 452	210 Nm
SB 552	300 Nm

## De hydraulische olie

Gewoonlijk is het type hydraulische olie dat de drager gebruikt ook geschikt voor de hydraulische sloophamer. Als een hydraulische sloophamer wordt aangesloten op de drager, zal de hydraulische olie sneller vuil worden. Controleer en volg de instructies van de drager voor het verversen van de olie en het vervangen van het oliefilter. Het is normaal het oliefilter vaker te vervangen als een hydraulische sloophamer is geïnstalleerd.

SB hydraulische sloophamers zijn uitgerust met een olieaftapplug om alle olie af te tappen voor de demontage. Dit om het risico om olie te morsen te reduceren.

**LET OP!** Als de SB-sloophamer wordt afgeleverd, bevat deze wat op mineralen gebaseerde hydraulische olie. Voordat wordt aangesloten op het hydraulisch systeem van de drager, controleren welk type hydraulische olie de drager gebruikt. Het mengen van verschillende typen hydraulische olie kan de smeerkwaliteit verminderen hetgeen kan leiden tot schade aan de machine.

## Monteren

### ▲ WAARSCHUWING Een vallende sloophamer kan letsel veroorzaken

- Plaats de sloophamer in een veilige positie zodat hij niet om kan vallen en schade veroorzaken.

Laat de hydraulische olie circuleren voordat de hydraulische sloophamer wordt aangesloten. Dit om er zeker van te zijn dat de hydraulische olie schoon is. Gebruik dezelfde procedure voor het vervangen van de hydraulische olieslang. Voor meer informatie zie "De hydraulische olie".

1. Sluit de druk- en retourslang aan.

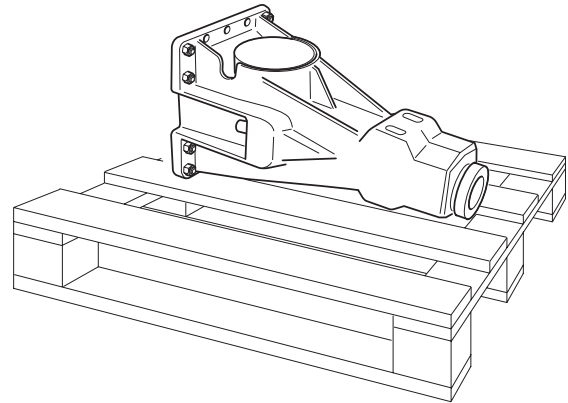


2. Laat de hydraulische olie ongeveer 3 minuten door het oliefilter van de drager stromen om er zeker van te zijn dat de slangen schoon zijn.

### Vorbereitung

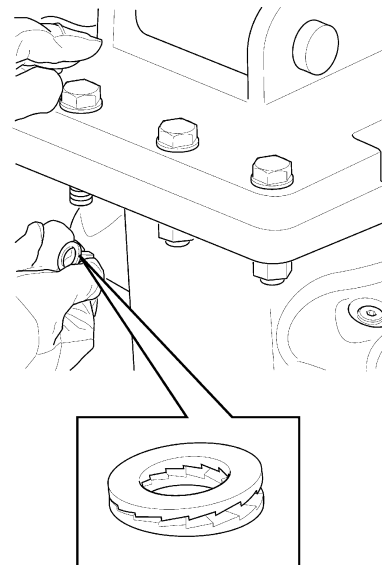
1. Plaats de sloophamer in een positie waarbij het eenvoudig en veilig is de adapterplaat te monteren.

**LET OP!** Monteer de sloophamer zo, dat de accumulator naar de cabine van de operator wijst om het risico van schade aan de accumulator te reduceren.



### Monteren van de adapterplaat

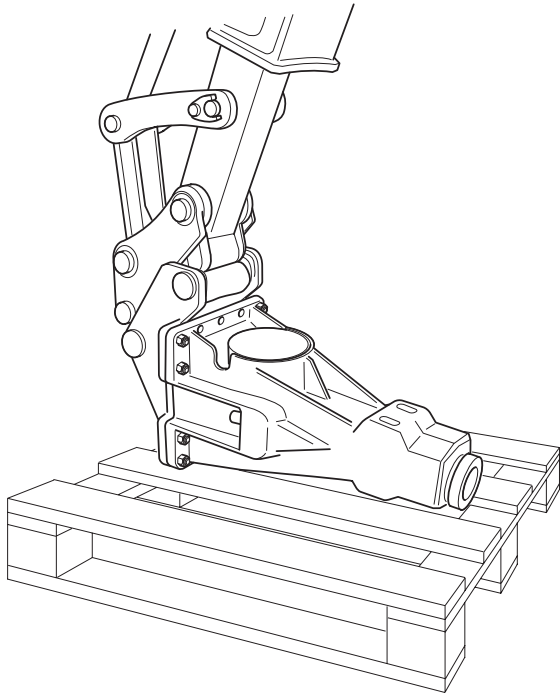
2. Als de Tough lock schroef van Atlas Copco niet beschikbaar is, bevelen we het gebruik van NORD-LOCK™ ringen aan onder de bout en moer (NORD-LOCK™ is een geregistreerd handelsmerk van Nord-Lock AB in de Verenigde Staten en/of andere landen.).



Adapterplaat	Aanhaalkoppel
SB 52	290 Nm
SB 102	200 Nm
SB 152	200 Nm
SB 202	200 Nm
SB 302	170 Nm
SB 452	400 Nm
SB 552	400 Nm

*Aansluiten van de sloophamer op de drager*

- Plaats de sloophamer op een veilige manier op de installatie.



De drukinlaat op de hydraulische sloophamer zit op de linkerkant als u naar de accumulator kijkt. Als de drukslang op de andere kant van de scheparm zit kunt u de slangen elkaar laten kruisen of de hydraulische sloophamer draaien.

- Voorzichtig de steel van de arm in de adapter laten zakken.

**▲ WAARSCHUWING Bewegende onderdelen kunnen verbrijzelen en snijden**

- Boringen of passages nooit controleren met handen of vingers.

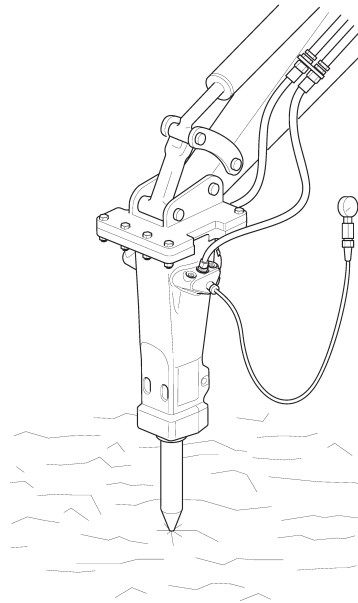
Een assistent moet de beweging van de scheparm richten tot de boorgaten in de scheparm overeenkomen met die in de adapter. Spreek met de assistent duidelijke handsignalen af voor gebruik tijdens de montageprocedure.

- Plaats de pen en de vergrendeling.
- Breng de hydraulische sloophamer omhoog met de arm.
- Schuif de emmercilinder uit tot het boorgat in de knieverbinding overeenkomt met die in de adapter. Plaats de knieverbindingspen en de vergrendeling.
- Na het monteren van de sloophamer de emmercilinder voorzichtig helemaal intrekken en uitschuiven in iedere richting. Het is belangrijk dat de cilinder zonder problemen volledig kan worden uitgeschoven en ingetrokken.

## Drukafstelling

SB sloophamers zijn uitgerust met een drukontlastingsklep die de sloophamer beveiligt. De werkdruk van de hydraulische sloophamer (max. 150 bar) wordt gecontroleerd en afgesteld door een drukmeter tijdens het gebruik van de hydraulische sloophamer.

- Als de werkdruk hoger is dan 150 bar moet de druk worden verlaagd. Reduceer de oliestroom van de drager tot de druk is gezakt tot 150 bar. Deze afstelling is belangrijk om ervoor te zorgen dat de ingebouwde drukontlastingsklep in de sloophamer niet open gaat en olie lekt terug naar de tank en verwittingsproblemen veroorzaakt.
- Als de werkdruk ligt tussen 130–150 bar, is afstelling gewoonlijk niet nodig.
- Als de oliestroom van de drager te laag is om een acceptabele werkdruk te krijgen, moet de begrenzer in de sloophamer worden vervangen. Zie de stroomdiagrammen in “Technische gegevens” om de beste begrenzer voor uw toepassing te kiezen.



Positioneer de hydraulische sloophamer verticaal naar een stuk stevig gesteente of iets dergelijks en stel de druk af met een drukmeter.

## Waterstroom

De hydraulische sloophamer is voorbereid voor waterstroom, deze functie moet het stof binden bij het uitvoeren van sloopwerkzaamheden.



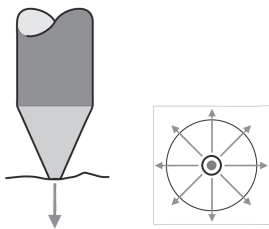
Bij het aansluiten van de waterstroom moet de plug in de voorkant van de sloophamer worden vervangen door een watermondstuk. Zie de lijst met reserveonderdelen voor het bestellen van een nieuw watermondstuk.

Gebruik een ¼" hydraulische slang met een JIC-aansluiting als een geschikte waterslang. Het waterverbruik bij 4 bar is 6,6 l/min. Neem contact op met uw dichtstbijzijnde werkende werkplaats voor meer aanwijzingen.

## Inzetgereedschap

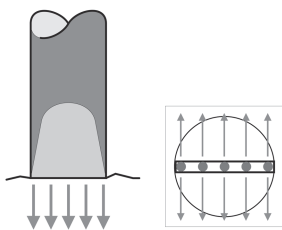
### Selecteren van het juiste inzetgereedschap

#### Conische breekpunt



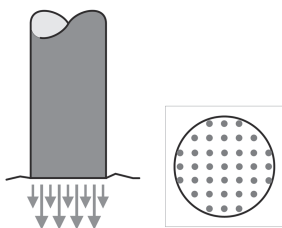
- Zeer goede penetratie
- Regelmatige spreiding van spie-actie
- Geen torsie-effect

#### Beitels en schoppen



- Zeer goede spreiding van spie-actie
- Goede penetratie
- Torsie-effect

#### Stomp gereedschap



- Zeer goede energie-applicatie
- Optimaal breek-effect
- Geen torsie-effect

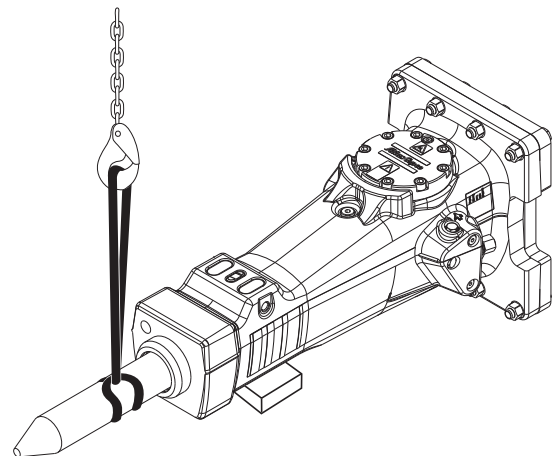
### Monteren en demonteren van het inzetgereedschap

#### ▲ WAARSCHUWING Draaiende motor

Het verwisselen van het inzetgereedschap terwijl de motor van de drager draait kan ernstig letsel veroorzaken.

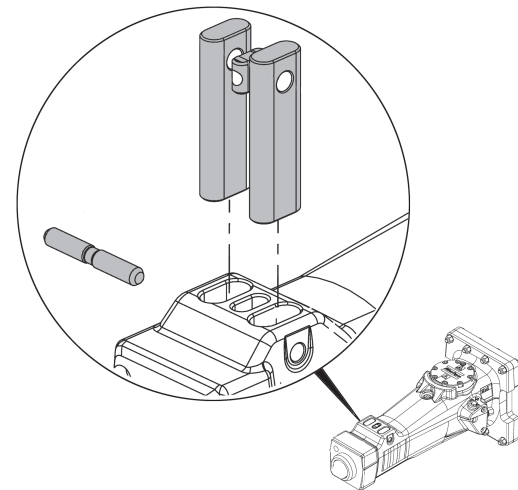
► Beveilig de drager tegen onbedoelde activering.

1. Zet de motor van de drager af alvorens het inzetgereedschap te verwisselen.
2. Monteer (en demonteer) het inzetgereedschap met een takelstrop om het risico van verbrijzelde lichaamsdelen te reduceren.



Sommige inzetgereedschappen zijn zwaar, til het inzetgereedschap er daarom op een veilige manier uit.

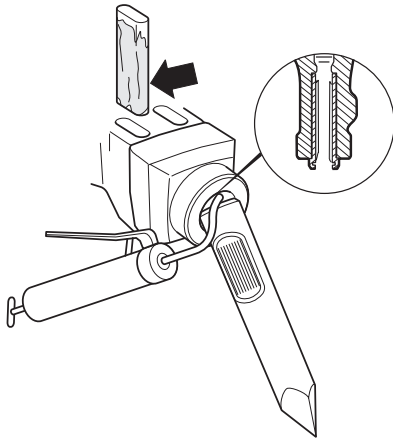
3. Controleer of de vergrendelingsbuffer versleten of beschadigd is.



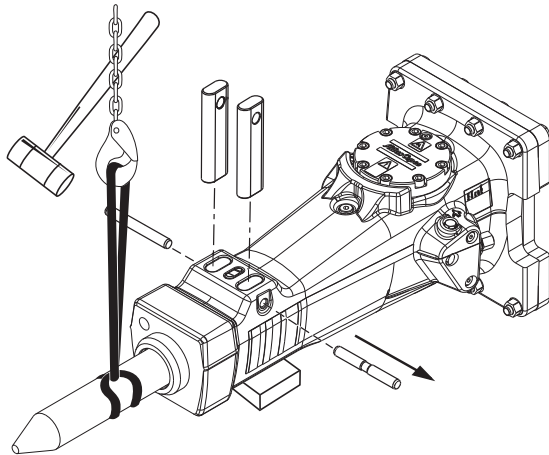
De vergrendelingsbuffer in de vergrendeling van de gereedschapshouder is gemaakt van plastic en kan smelten bij het werken in een heet milieu. Als dat gebeurt, vervang dan de standaard vergrendelingsbuffer. U vindt een optionele veerpen

voor alternatief gebruik in de reserveonderdelenlijst.

4. Reinig en smeer de bus veelvuldig. Dit is met name belangrijk bij het monteren van een nieuw inzetgereedschap.



5. Monteer het inzetgereedschap.
6. Draai het inzetgereedschap om het vet te verspreiden.
7. Monteer de gereedschapshouders één voor één.
8. Drijf de vergrendelpen naar binnen tot de vergrendelingsbuffer in de groef van de vergrendelpen vastgrijpt.



Het inzetgereedschap wordt in omgekeerde volgorde gedemonteerd vergeleken met de montage-instructie.

## Bediening

**LET OP!** De hydraulische sloophamer of het inzetgereedschap mag niet worden gebruikt als takelinstallatie. Bij het optakelen van zware componenten gebruikt u de haak op de dragerarm.

## Vorbereitung voor het breken

### Werktemperaturen

De werktemperaturen van de hydraulische sloophamer liggen tussen  $-20\text{ }^{\circ}\text{C}$  en  $+80\text{ }^{\circ}\text{C}$ .

#### ▲ VOORZICHTIG Temperatuurgevaar

De hydraulische sloophamer en het hydraulische systeem van de drager kunnen worden beschadigd als de hydraulische sloophamer wordt gebruikt bij hogere of lagere temperaturen.

- ▶ Start de hydraulische sloophamer alleen als de hydraulische olie de geschikte werktemperatuur heeft bereikt.
- ▶ Als de buitentemperatuur lager is dan  $-20\text{ }^{\circ}\text{C}$ , moet u het werkgereedschap en de hydraulische sloophamer voor gebruik opwarmen.
- ▶ Als de olietemperatuur hoger is dan  $+80\text{ }^{\circ}\text{C}$ , dient u de hydraulische sloophamer niet te gebruiken omdat de oliekwaliteit dan niet adequaat is hetgeen de levensduur van afdichtingen en O-ringen verkort.

### Motor omw/min

Een te hoog motortoerental zal slechts resulteren in een verhoogd brandstofverbruik en een hogere olietemperatuur. Pas het motortoerental aan de aanbevolen waarde om de juiste werkoliestroom te krijgen.

## Bediening

### Breken

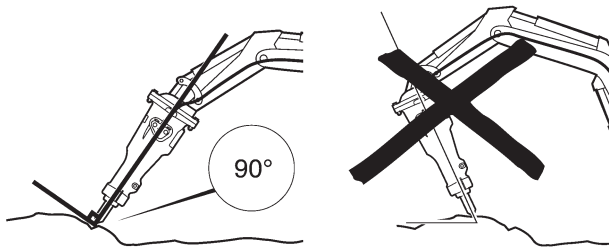
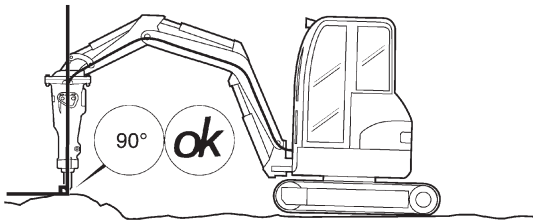
#### ▲ VOORZICHTIG Gevaar voor machine en gereedschap

Voortdurend gebruik bij volledige uitschuiving/intrekking kan resulteren in schade aan de hydraulische cilinders.

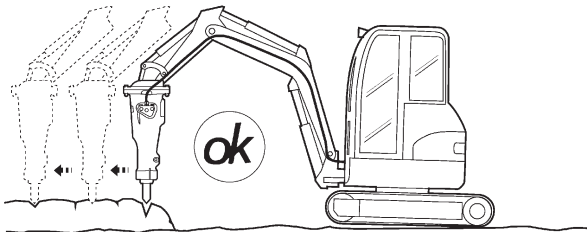
- ▶ Vermijd altijd het gebruik van de sloophamer met de cilinders volledig uitgeschoven of ingetrokken.
- ▶ Verplaats de drager en/of arm om volledig uitgeschoven of ingetrokken cilinders te vermijden.
- ▶ Schenk aandacht aan en kijk naar waar u mee bezig bent.

Start de hydraulische sloophamer nooit voordat zowel de drager als de hydraulische sloophamer zich in de juiste positie bevinden.

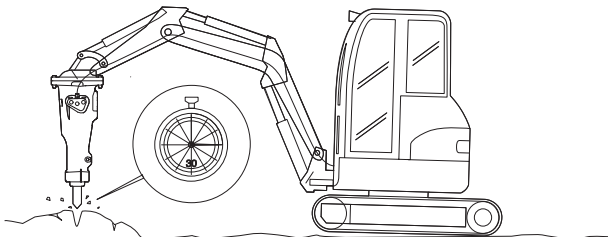
- ◆ Richt de hydraulische sloophamer in een positie van 90° ten opzichte van het object.



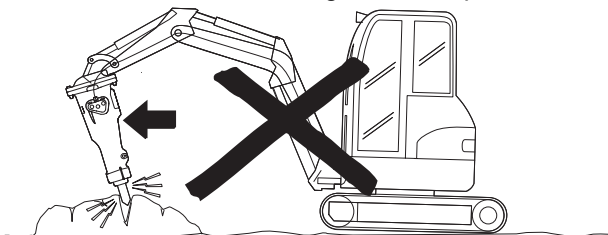
- ◆ Start bij de rand en werk naar het midden toe. Begin nooit in het midden van grote objecten.



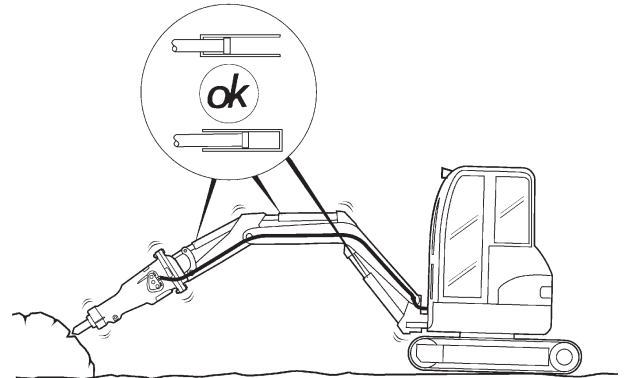
- ◆ Laat de hydraulische sloophamer nooit langer dan 15 seconden op hetzelfde punt draaien. Verplaats het werkgereedschap naar een nieuwe positie als het object niet breekt.



- ◆ Nooit wrikken met het werkgereedschap.

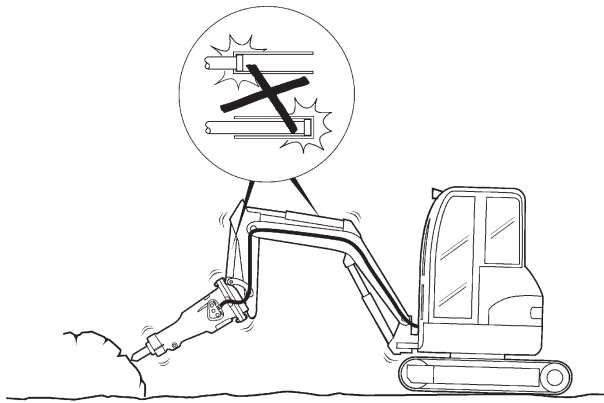


- ◆ Gebruik de juiste voedingsdruk. Als de voedingsdruk correct is, werkt de hydraulische sloophamer het best en zijn de trillingen minimaal. Ook de slijtage van bus en gereedschap wordt tot een minimum beperkt.

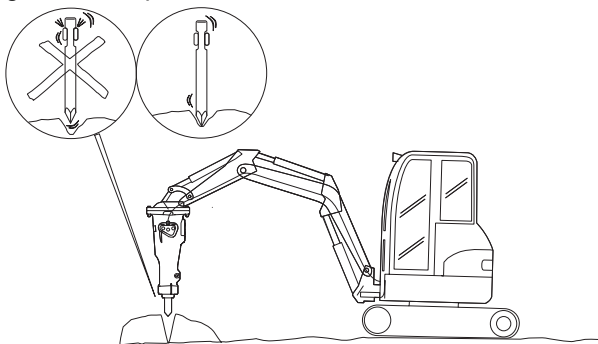


- ◆ Luister naar het geluid van de hydraulische sloophamer. Het geluid verandert als er frictie is tussen het gereedschap en de bus.

- ◆ Laat de sloophamer nooit met de armcilinders naar hun eindposities gaan. Dat kan schade aan de drager veroorzaken.

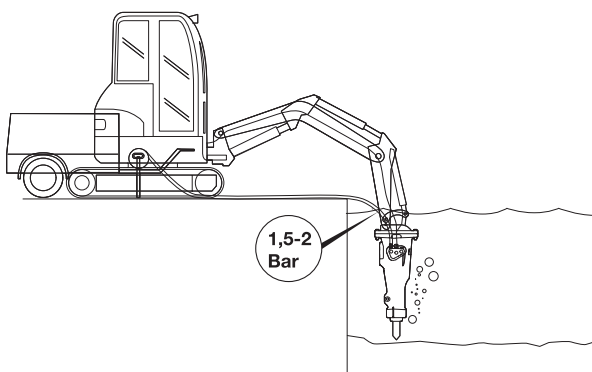


- ◆ Vermijd stationaire slagen, dat veroorzaakt schade aan zowel het gereedschap als de gereedschapshouders.



## Slopen onder water

Hydraulische sloophamers kunnen onder water worden gebruikt.



Bij het werken onder water moet de hydraulische sloophamer worden gevoed met perslucht om de ruimte tussen de zuiger en het gereedschap vrij van water te houden. Als het gebied tussen de zuiger en het gereedschap gevuld raakt met water, kan dat ook in het hydraulische oliesysteem binnendringen als de hydraulische sloophamer wordt gestart.

De luchtdruk moet 1,5-2 bar zijn bij de luchtinlaat op de sloophamer en het luchtverbruik kunt u vinden in "Technische gegevens". Een geschikte luchtslang is een 1/4" hydraulische slang met JIC-aansluiting. Raadpleeg uw dichtstbijzijnde erkende werkplaats voor meer instructies.

## Onderhoud

Het is essentieel dat het onderhoud regelmatig wordt uitgevoerd om de maximale efficiëntie van de sloophamer te behouden.

Apparatuur die onvoldoende wordt onderhouden, kan gevaarlijk zijn voor zowel de operator als personen in de nabijheid van de sloophamer. Zorg ervoor dat de gebruikelijke routines bij het onderhoud en de smering worden gevolgd om de apparatuur veilig en efficiënt te houden.

## Om de twee uur

Smeer regelmatig het gereedschap, de gereedschapshouders en de bussen met Atlas Copco Tool beitelpasta.

### Smeren met een vetpistool

**▲ WAARSCHUWING** Het gereedschap is heet tijdens het gebruik en een periode erna.

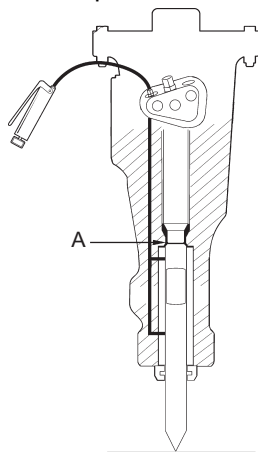
- Vermijd contact met het gereedschap.

**▲ VOORZICHTIG Huideczeem**

Vet kan eczeem veroorzaken als het in aanraking komt met de huid.

► Voorkom dat u vet op uw handen krijgt.

1. Druk het gereedschap helemaal in de sloophamer tot de stop (A). Anders zal de ruimte tussen de bovenkant van het gereedschap en de sloophamer worden gevuld met vet.



2. Smeer de steel van het werkgereedschap rijkelijk tijdens alle opwaartse handelingen. De bus en het werkgereedschap moeten zo frequent worden gestuurd, zodat er geen vuil binnen kan dringen in de hydraulische sloophamer.

Als de gereedschapssteel wordt blootgesteld aan hoge druk en hoge temperaturen, zal een standaard type vet smelten en weglopen. Om dit te vermijden altijd Atlas Copco Tool beitelvet gebruiken.

**Centraal smeersysteem**

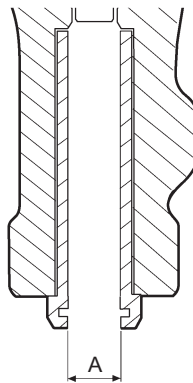
Wij bevelen het Atlas Copco centraal smeersysteem aan. Als dit systeem op de drager is gemonteerd, wordt voortdurend vet opgepompt vanuit een smeermiddelreservoir op de drager naar de sloophamer als de sloophamer wordt geactiveerd. Dit verhoogt de levensduur van de gereedschapsbussen en de werkgereedschappen aanzienlijk.

**Iedere dag**

1. Controleer de gereedschapshouders en de vergrendelpen.
2. Controleer of slangen, koppelingen en accumulator in goede staat verkeren.
3. Controleer of bouten en aansluitingen vrij zijn van schade en goed zijn aangehaald. Zie de aanhaalkoppels in de reserveonderdelenlijst.
4. Vul het centraal smeersysteem bij.

**Iedere week**

1. Reinig de hydraulische sloophamer zorgvuldig.
2. Controleer de slijtage van de gereedschapsbus en de grenzen voor de maximale inwendige slijtage.



De gereedschapsbus moet worden vervangen als de inwendige diameter (A) zijn maximale slijtagegrens heeft bereikt, zie "Slijtagegrenzen" en "Vervangen van de werkgereedschapsbus".

3. Controleer het werkgereedschap op slijtage.



Het werkgereedschap moet worden vervangen als de buitendiameter (B) zijn minimale slijtagegrens heeft bereikt. Zie "Slijtagegrenzen".

Een te grote speling kan ervoor zorgen dat het werkgereedschap breekt en de zuiger kan worden beschadigd.

4. Controleer het sloophamerlichaam en de adapterplaat op barsten en slijtage.
5. Controleer of de accumulatorschroeven goed zijn aangehaald. Het juiste aanhaalkoppel vindt u in de reserveonderdelenlijst.

Het werkgereedschap mag nooit worden aangescherpt door smeden. Het aanscherpen mag alleen plaatsvinden door frezen, slijpen of draaien.

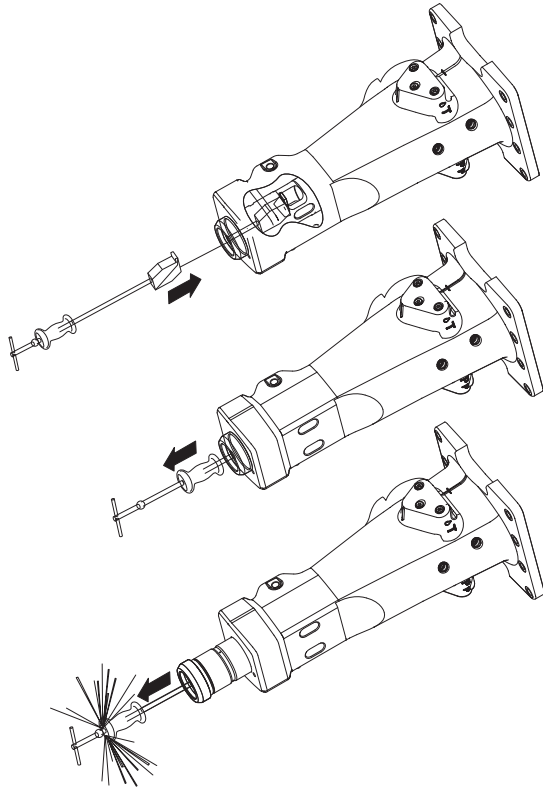
**Slijtagegrenzen**

	A mm (in.)	B mm (in.)
SB 52	42 (1,6)	38 (1,5)
SB 102	47 (1,8)	43 (1,7)
SB 152	52 (2,0)	48 (1,9)
SB 202	68 (2,7)	63 (2,5)
SB 302	83 (3,3)	78 (3,1)
SB 452	98 (3,85)	92 (3,6)
SB 552	103 (4,1)	97 (3,8)

## Vervangen van de werkgereedschapsbus

De werkgereedschapsbus wordt op zijn plaats gehouden door de gereedschapshouders. Een nieuwe bus kan soepel worden geplaatst.

1. Als een versleten bus kapot is, gebruik dan een schuifhamer om deze te verwijderen.



2. Het boorgat en de ruimte voor de buszitting zorgvuldig reinigen.
3. Monteer nieuwe O-ringen en smeer en monteer de bus.
4. Gebruik een plastic moker om de bus te plaatsen.
5. Houd de bus op zijn plaats met behulp van de gereedschapshouders.
6. Monteer een nieuwe schraapveer.

## Ieder jaar

Revisie moet plaatsvinden na 1 jaar continue gebruik. Revisie moet om veiligheidsredenen worden uitgevoerd door bevoegd personeel van de dichtstbijzijnde Atlas Copco werkplaats of door andere Atlas Copco erkende werkplaatsen.

## Opslag

**⚠ WAARSCHUWING** Een vallende sloophamer kan letsel veroorzaken

- ▶ Plaats de sloophamer in een veilige positie zodat hij niet om kan vallen en schade veroorzaken.

Als de hydraulische sloophamer langere tijd niet gebruikt gaat worden, moeten de volgende punten in acht worden genomen om de hydraulische sloophamer te beschermen tegen corrosie:

1. Reinig de hydraulische sloophamer zorgvuldig.
2. Demonteer het werkgereedschap en smeer het voorste deel van de zuiger, de bus en de vergrendeling van de gereedschapshouder.
3. Sla de sloophamer op een droge plaats op.

## Opruimen

Een gebruikte machine moet worden behandeld en opgeruimd op een zodanige manier dat het grootste mogelijke deel van het materiaal kan worden gerecycled en een eventuele negatieve invloed op het milieu zo laag mogelijk wordt gehouden.

Voordat een gebruikte machine wordt opgeruimd, moet alle hydraulische olie worden verwijderd. De resterende hydraulische olie moet worden ingeleverd en een eventuele negatieve invloed op het milieu moet zo laag mogelijk worden gehouden.

## Technische gegevens

### Machinegegevens

	SB 52	SB 102	SB 152	SB 202	SB 302	SB 452	SB 552
Bestelnummer	8460 0300 10	8460 0300 30	8460 0300 40	8460 0300 50	8460 0300 60	8460 0300 70	8460 0300 80
Werkgewicht (kg)	55	87	140	201	310	441	521
Afleveringsgewicht (kg)	44	68	110	154	224	321	390
Gereedschapssteeldiameter (mm)	40	45	50	65	80	95	100

### Vermogens

	SB 52	SB 102	SB 152	SB 202	SB 302	SB 452	SB 552
Geschikte drager min.-max. ton	0.7–1.1	1.1–3.0	1.9–4.5	2.5–6.0	4.5–9	6.5–13	9–15
Oliestroom (l/min)	15–32	16–35	25–45	35–66	50–80	55–100	65–115
Slagfrequentie (slagen/min)	960–2160	720–2280	840–1920	840–1800	600–1380	540–1260	660–1140
Werkdruk (bar)	100–150	100–150	100–150	100–150	100–150	100–150	100–150
Terugslagdrukacceptatie (bar)	25	18	25	25	26	21	18
Accumulatordruk (bar)	40	40	40	40	40	40	40
Drukontlastingsklep (bar)	170	170	170	170	170	180	170
Waterdruk (bar)	-	-	4	4	4	4	4
Waterverbruik (l/min)	-	-	≤5	≤5	≤9	≤9	≤9
Luchtdruk (bar)	2	2	2	2	2	2	2
Luchtstroom (l/min)	≤730	≤730	≤730	≤730	≤730	≤730	≤730

### Geluidsverklaring

	SB 52	SB 102	SB 152	SB 202	SB 302	SB 452	SB 552
Geluidsdruk <sup>1</sup> dB(A)	89	87	86	90	91	94	98
Geluidsvermogen <sup>2</sup> dB(A)	117	115	114	118	119	122	126

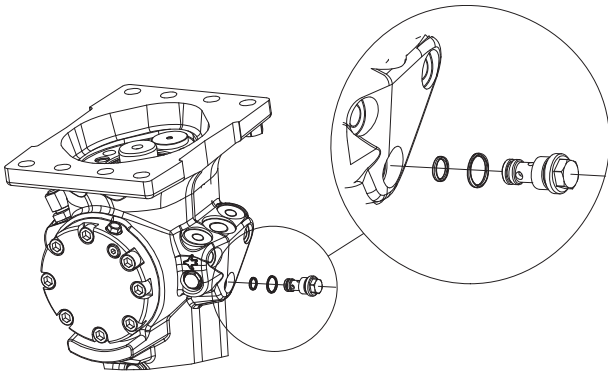
<sup>1</sup> Geluidsdruk niveau conform EN ISO 3744 in overeenstemming met richtlijn 2000/14/EC op 10 meter afstand.

<sup>2</sup> Gegarandeerd geluidsvermogen conform EN ISO 3744 in overeenstemming met richtlijn 2000/14/EC inclusief spreiding in productie.

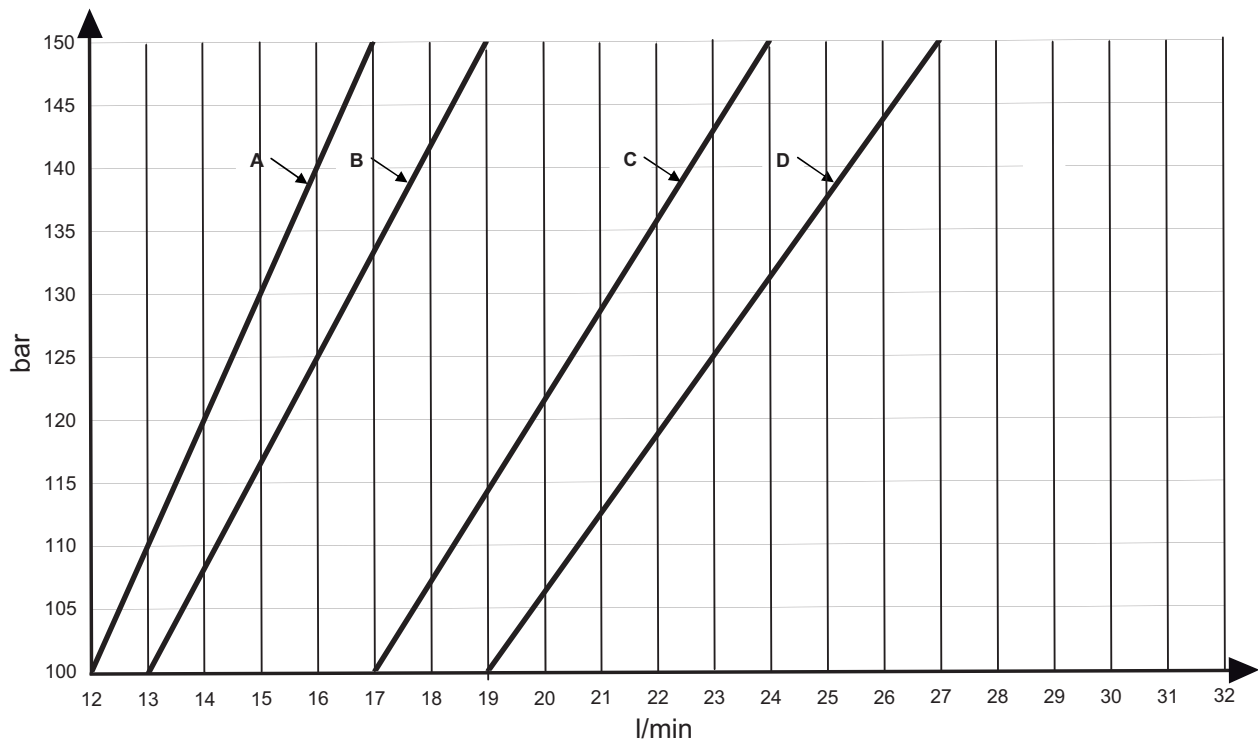


## Stroomdiagrammen voor de correcte werkdruk

De oliestroom van de drager kan worden begrensd om de juiste werkdruk te bereiken. Begrenzers kunnen worden besteld uit de reserveonderdelenlijst. De diagrammen tonen de oliestroom bij een viscositeit van 32 cSt.



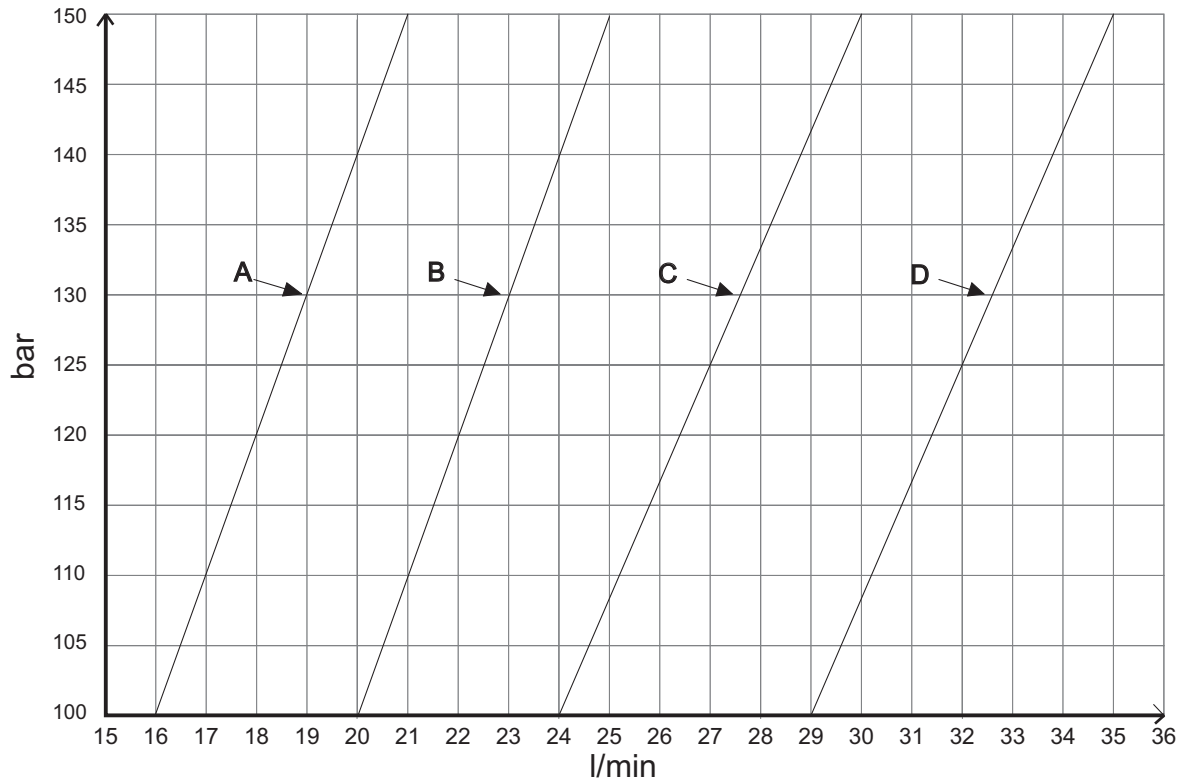
### SB 52: 100–150 bar



Begrenzer	Bestelnr.	Begrenzer	Bestelnr.
A	3315 2875 22	C	3315 2875 36
B	3315 2875 24	D (Standaard)	3315 2875 37

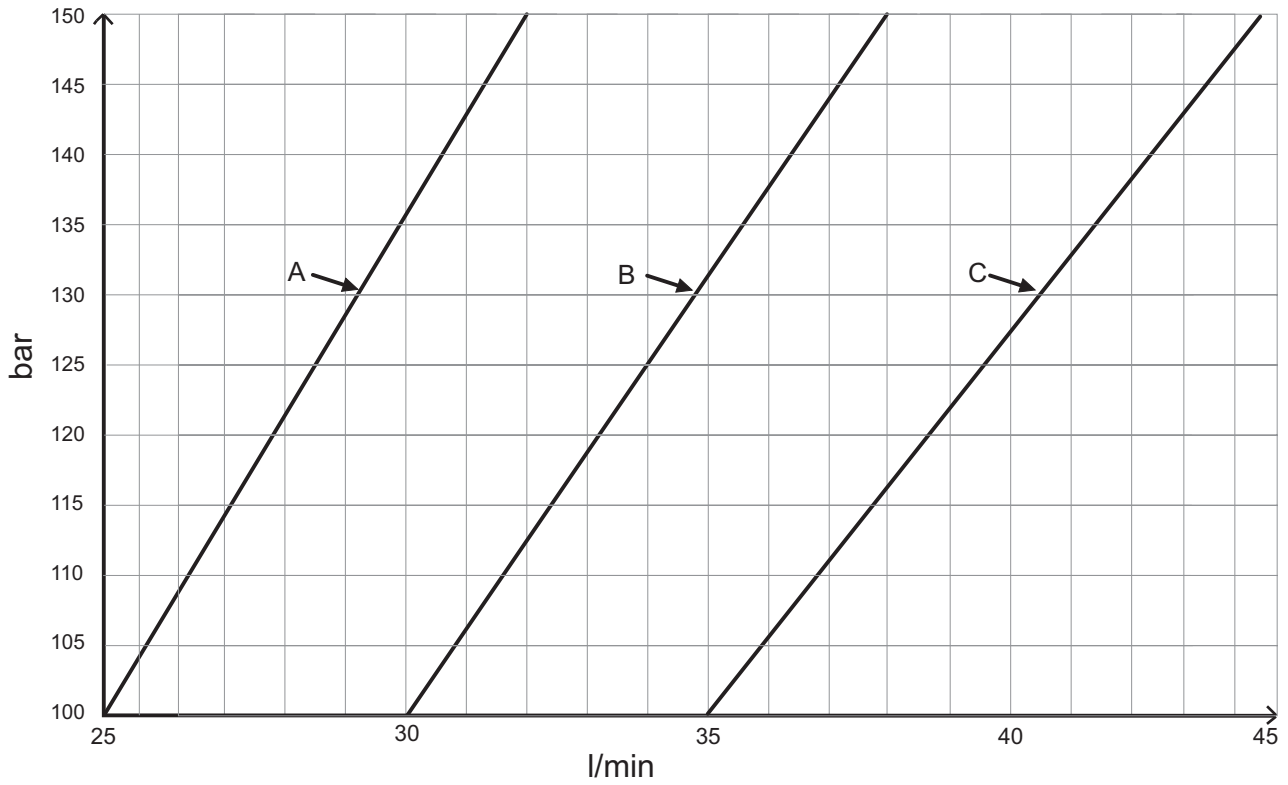


**SB 102: 100–150 bar**



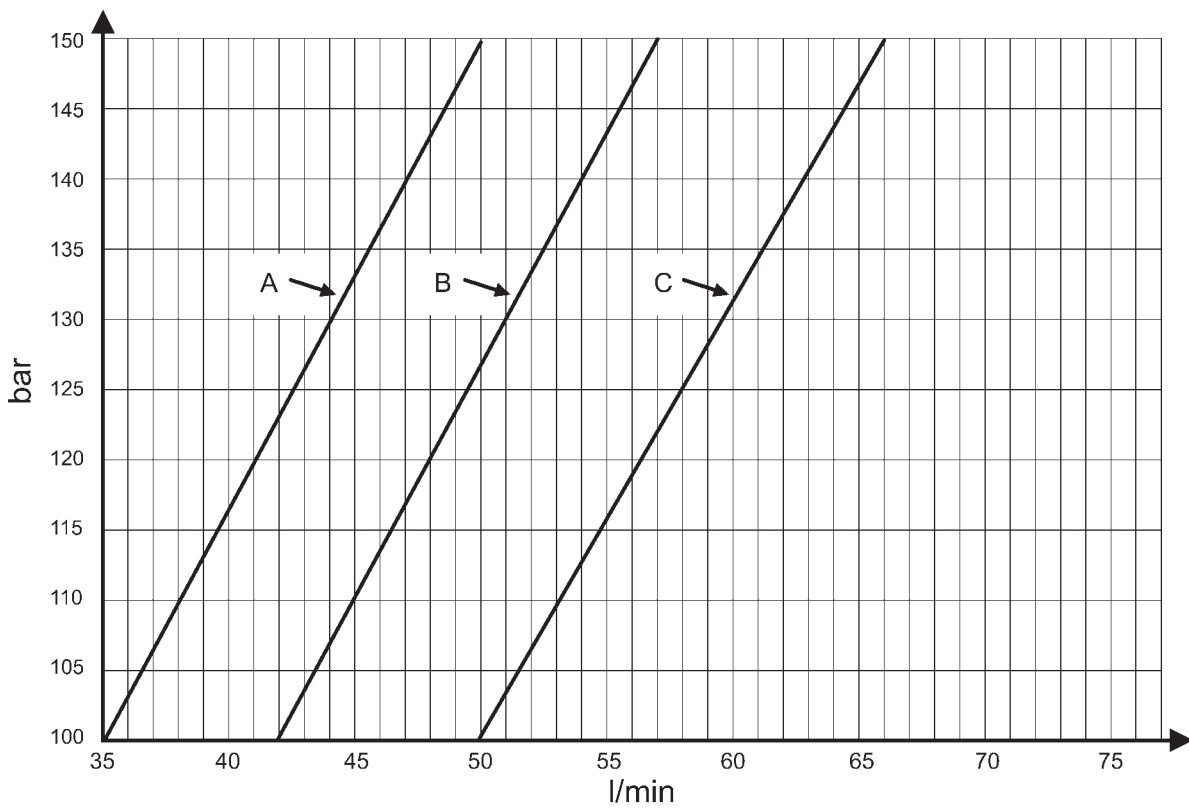
Begrenzer	Bestelnr.	Begrenzer	Bestelnr.
A	3315 2875 36	C	3315 2875 38
B	3315 2875 37	D (Standaard)	3315 2875 35

**SB 152: 100–150 bar**



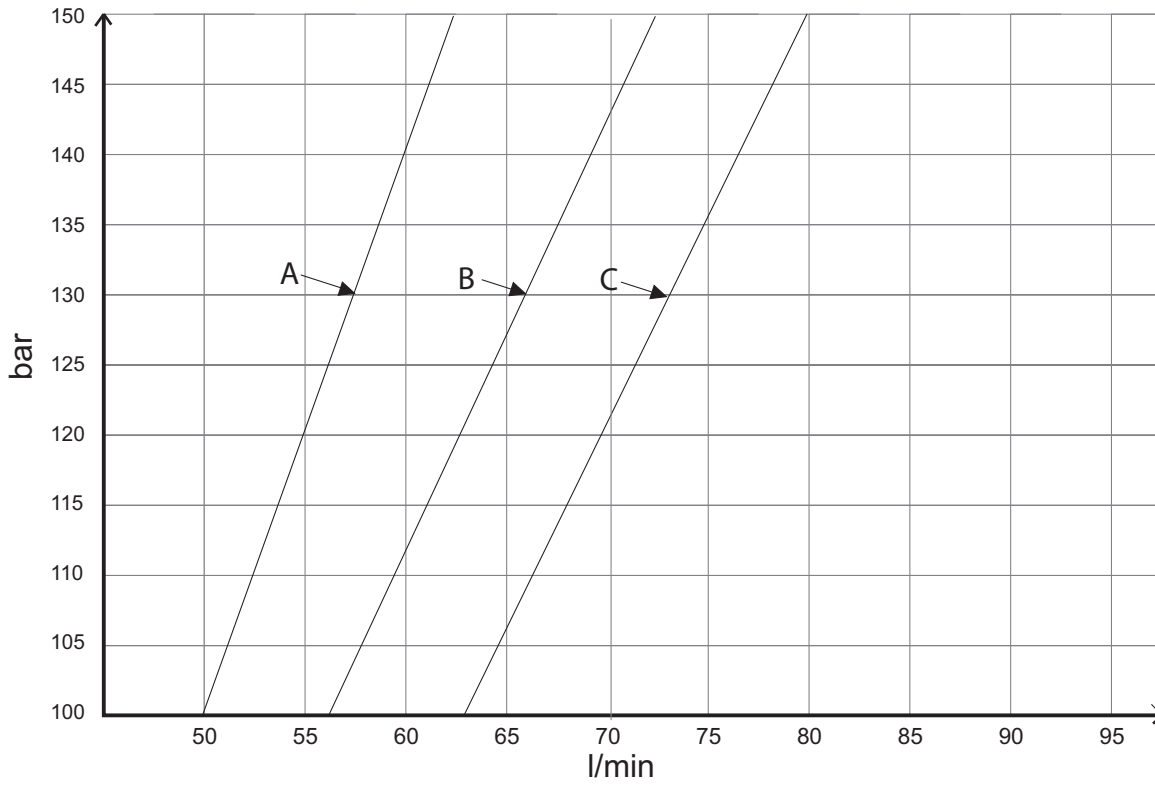
Begrenzer	Bestelnr.	Begrenzer	Bestelnr.
A	3315 2875 40	C (Standaard)	3315 2875 51
B	3315 2875 35		

**SB 202: 100–150 bar**



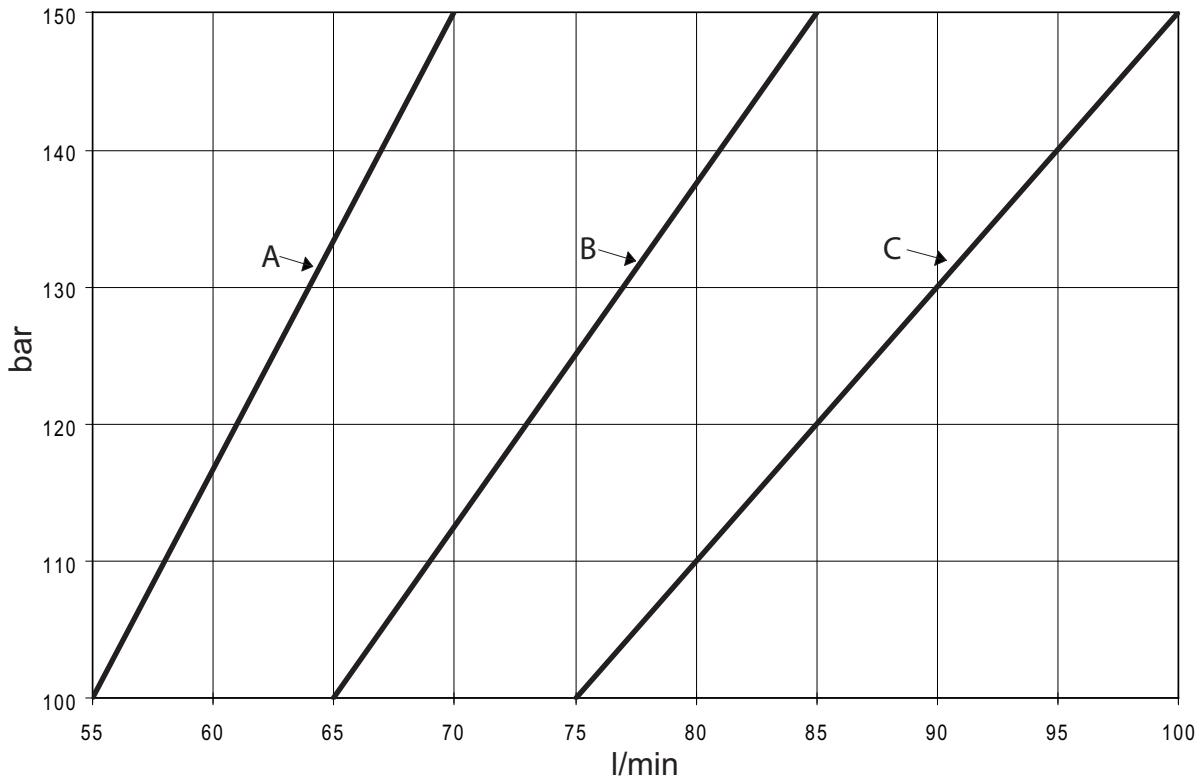
Begrenzer	Bestelnr.	Begrenzer	Bestelnr.
A	3315 2875 45	C (Standaard)	3315 3040 80
B	3315 2875 55		

**SB 302: 100-150 bar**



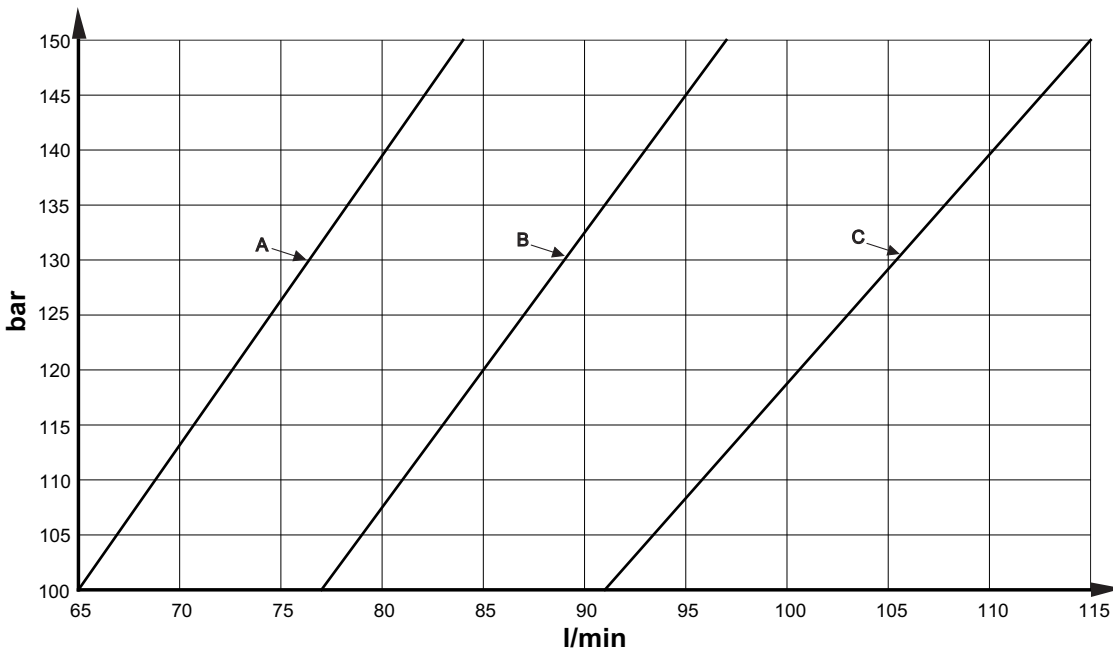
Begrenzer	Bestelnr.	Begrenzer	Bestelnr.
A	3315 3588 54	C (Standaard)	3315 3588 63
B	3315 3152 35		

**SB 452: 100–150 bar**



Begrenzer	Bestelnr.	Begrenzer	Bestelnr.
A	3315 3152 35	C (Standaard)	3315 3152 53
B	3315 3152 45		

**SB 552: 100–150 bar**



Begrenzer	Bestelnr.	Begrenzer	Bestelnr.
A	3315 3152 35	C (Standaard)	3315 3152 55
B	3315 3152 45		

## ΕΛΛΗΝΙΚΑ

**Περιεχόμενα**

Εισαγωγή.....	193
Σχετικά με τις Οδηγίες Ασφάλειας και Χειρισμού.....	193
<b>Οδηγίες ασφαλείας.....</b>	<b>194</b>
<b>Λέξεις σημάτων ασφαλείας.....</b>	<b>194</b>
<b>Προσωπικές προφυλάξεις και πιστοποιήσεις.....</b>	<b>194</b>
Μεταφορά.....	194
Εγκατάσταση, φύλαξη, συντήρηση και απόρριψη.....	194
Χειρισμός.....	194
Εκτέλεση δοκιμής.....	194
Ατομικός προστατευτικός εξοπλισμός.....	194
Ναρκωτικά, αλκοόλ, φάρμακα.....	195
<b>Φορέας, προφυλάξεις.....</b>	<b>195</b>
<b>Εγκατάσταση, προφυλάξεις.....</b>	<b>195</b>
Υδραυλικό σύστημα.....	195
Συναρμολόγηση / Αποσυναρμολόγηση.....	195
<b>Λειτουργία, προφυλάξεις.....</b>	<b>196</b>
<b>Αποθήκευση, προφυλάξεις.....</b>	<b>197</b>
<b>Συντήρηση, προφυλάξεις.....</b>	<b>197</b>
<b>Επισκόπηση.....</b>	<b>198</b>
<b>Σχεδιασμός και λειτουργία.....</b>	<b>198</b>
<b>Κύρια μέρη.....</b>	<b>198</b>
<b>Σήματα και αυτοκόλλητες ετικέτες.....</b>	<b>198</b>
Πινακίδα δεδομένων.....	199
Σήμα στάθμης θορύβου.....	199
Πινακίδες στο συσσωρευτή.....	199
<b>Μεταφορά.....</b>	<b>199</b>
<b>Ανύψωση του υδραυλικού θραυστήρα.....</b>	<b>199</b>
<b>Εγκατάσταση.....</b>	<b>200</b>
<b>Ελαστικοί σωλήνες και συνδέσεις.....</b>	<b>200</b>
<b>Το υδραυλικό λάδι.....</b>	<b>201</b>
<b>Συναρμολόγηση.....</b>	<b>201</b>
<b>Ρύθμιση πίεσης.....</b>	<b>202</b>
<b>Έκπλυση με νερό.....</b>	<b>203</b>
<b>Εργαλείο εισαγωγής.....</b>	<b>203</b>
Επιλογή του σωστού εργαλείου εισαγωγής.....	203
Μυτερό κοπίδι κωνικού σχήματος.....	203
Κοπίδια και τσάπες.....	203
Εργαλείο με αβλύ άκρο.....	203
Μοντάρισμα και ξεμοντάρισμα του εργαλείου εισαγωγής.....	204
<b>Χειρισμός.....</b>	<b>205</b>
<b>Προετοιμασία πριν από τη θραύση.....</b>	<b>205</b>
Θερμοκρασίες λειτουργίας.....	205
Στροφές κινητήρα.....	205
<b>Χειρισμός.....</b>	<b>205</b>
Θραύση.....	205
Θραύση κάτω από το νερό.....	207
<b>Συντήρηση.....</b>	<b>207</b>
<b>Ανά δίωρο.....</b>	<b>207</b>
Λίπανση με πιστόλι γράσου.....	207

Σύστημα κεντρικής λίπανσης.....	208
<b>Κάθε μέρα</b> .....	208
<b>Κάθε εβδομάδα</b> .....	208
Όρια φθοράς.....	209
Αντικατάσταση εδράνου εργαλείου εργασίας.....	209
<b>Κάθε χρόνο</b> .....	209
<b>Αποθήκευση</b> .....	209
<b>Απόρριψη</b> .....	209
<b>Τεχνικά δεδομένα</b> .....	210
<b>Δεδομένα μηχανήματος</b> .....	210
<b>Χωρητικότητες</b> .....	210
<b>Δήλωση συμμόρφωσης για θόρυβο</b> .....	210
<b>Διαγράμματα ροής για σωστή πίεση λειτουργίας</b> .....	210
SB 52: 100–150 bar.....	211
SB 102: 100–150 bar.....	212
SB 152: 100–150 bar.....	213
SB 202: 100–150 bar.....	214
SB 302: 100–150 bar.....	215
SB 452: 100–150 bar.....	216
SB 552: 100–150 bar.....	216





## Εισαγωγή

Σας ευχαριστούμε που επιλέξατε ένα προϊόν της Atlas Copco. Από το 1873, έτος ίδρυσης της εταιρείας μας, ανακαλύπτουμε διαρκώς νέους και καλύτερους τρόπους ικανοποίησης των επαγγελματικών αναγκών των πελατών μας. Μέσα στα χρόνια, αναπτύξαμε καινοτόμα και εργονομικά προϊόντα που βοήθησαν τους πελάτες μας να βελτιώσουν και να οργανώσουν ορθολογικά την καθημερινή τους εργασία.

Η Atlas Copco διαθέτει ένα ισχυρό παγκόσμιο δίκτυο πωλήσεων και σέρβις, αποτελούμενο από κέντρα εξυπηρέτησης πελατών και από διανομείς σε όλο τον κόσμο. Οι ειδικοί μας είναι άριστα εκπαιδευμένοι επαγγελματίες με βαθιά γνώση των προϊόντων μας και με πολύχρονη εμπειρία στην εφαρμογή των λύσεων που αναπτύσσει η εταιρεία μας. Σε κάθε γωνιά του πλανήτη, είμαστε σε θέση να προσφέρουμε εξειδικευμένη και αξιόπιστη υποστήριξη για τα προϊόντα μας, ώστε οι πελάτες μας να μπορούν να εργάζονται με τη μέγιστη αποδοτικότητα σε κάθε περίπτωση.

Για περισσότερες πληροφορίες, επισκεφθείτε την τοποθεσία Web: [www.atlascopco.com](http://www.atlascopco.com)

## Σχετικά με τις Οδηγίες Ασφάλειας και Χειρισμού

Σκοπός των οδηγιών είναι να σας προσφέρουν τις γνώσεις που απαιτούνται για το χειρισμό του υδραυλικού θραυστήρα με αποτελεσματικό και ασφαλή τρόπο. Οι οδηγίες παρέχουν επίσης συμβουλές και περιγράφουν τη διαδικασία εκτέλεσης τακτικής συντήρησης στον υδραυλικό θραυστήρα.

Πριν χρησιμοποιήσετε τον υδραυλικό θραυστήρα για πρώτη φορά πρέπει να διαβάσετε αυτές τις οδηγίες προσεκτικά και να τις κατανοήσετε πλήρως.

## Οδηγίες ασφαλείας

Για να μειώσετε τον κίνδυνο πρόκλησης σοβαρού ή ακόμα και θανατηφόρου τραυματισμού στον εαυτό σας και σε άλλους, διαβάστε αυτές τις οδηγίες ασφαλείας πριν χρησιμοποιήσετε το μηχάνημα.

Αναρτήστε αυτό το έντυπο στους χώρους εργασίας, διανείμτε αντίγραφα του στους εργαζόμενους και βεβαιωθείτε ότι όλοι διαβάζουν αυτές τις οδηγίες ασφαλείας πριν χρησιμοποιήσουν ή πριν επισκευάσουν το μηχάνημα.

Συμμορφωθείτε με όλους τους κανονισμούς ασφαλείας.

## Λέξεις σημάτων ασφαλείας

Οι λέξεις σημάτων ασφαλείας «Danger» (Κίνδυνος), «Warning» (Προειδοποίηση) και «Caution» (Προσοχή) έχουν την ακόλουθη σημασία:

<b>ΚΙΝΔΥΝΟΣ</b>	Υποδεικνύει μια επικίνδυνη κατάσταση που εάν δεν αποφευχθεί, θα προκαλέσει σοβαρού βαθμού ή θανατηφόρο τραυματισμό.
<b>ΠΡΟΕΙΔΟΠΟΙΗΣΗ</b>	Υποδεικνύει μια επικίνδυνη κατάσταση που εάν δεν αποφευχθεί, μπορεί να προκαλέσει σοβαρού βαθμού ή θανατηφόρο τραυματισμό.
<b>ΠΡΟΣΟΧΗ</b>	Υποδεικνύει μια επικίνδυνη κατάσταση που εάν δεν αποφευχθεί, μπορεί να προκαλέσει ελαφρού ή μετρίου βαθμού τραυματισμό.

## Προσωπικές προφυλάξεις και πιστοποιήσεις

Ο χειρισμός και η συντήρηση του μηχανήματος πρέπει να γίνεται μόνον από εξουσιοδοτημένα και εκπαιδευμένα άτομα. Να χρησιμοποιείτε πάντοτε κοινή λογική και καλή κρίση.

### Μεταφορά

Η μεταφορά του υδραυλικού θραυστήρα πρέπει να αναλαμβάνεται μόνον από άτομα τα οποία:

- είναι εξουσιοδοτημένα να χειρίζονται γερανό ή ανυψωτικό φορτωτή σύμφωνα με τις ισχύουσες οδηγίες σε εθνικό επίπεδο,
- γνωρίζουν το σύνολο των σχετικών οδηγιών ασφαλείας και των οδηγιών πρόληψης ατυχημάτων σε εθνικό επίπεδο
- και έχουν διαβάσει και κατανοήσει τα κεφάλαια περί ασφαλείας και μεταφοράς στο παρόν εγχειρίδιο.

### Εγκατάσταση, φύλαξη, συντήρηση και απόρριψη

Η εγκατάσταση, φύλαξη, συντήρηση και απόρριψη του υδραυλικού θραυστήρα πρέπει να αναλαμβάνεται μόνον από άτομα τα οποία:

- γνωρίζουν το σύνολο των σχετικών οδηγιών ασφαλείας και των οδηγιών πρόληψης ατυχημάτων σε εθνικό επίπεδο
- και έχουν διαβάσει και κατανοήσει τις οδηγίες ασφαλείας και χειρισμού.

### Χειρισμός

Ο χειρισμός του υδραυλικού θραυστήρα πρέπει να αναλαμβάνεται μόνον από κατάλληλους χειριστές φορέων. Οι χειριστές φορέων είναι κατάλληλοι εάν:

- έχουν εκπαιδευτεί στο χειρισμό ενός φορέα σύμφωνα με τις οδηγίες που ισχύουν σε εθνικό επίπεδο
- γνωρίζουν το σύνολο των σχετικών οδηγιών ασφαλείας και των οδηγιών πρόληψης ατυχημάτων σε εθνικό επίπεδο
- και έχουν διαβάσει και κατανοήσει τις οδηγίες ασφαλείας και χειρισμού.

### Εκτέλεση δοκιμής

Η δοκιμή του υδραυλικού θραυστήρα πρέπει να διεξάγεται μόνον από επαγγελματίες τεχνικούς. Οι τεχνικοί πρέπει να διαθέτουν άδεια χειρισμού υδραυλικού συστήματος σύμφωνα με τις οδηγίες που ισχύουν σε εθνικό επίπεδο.

### Ατομικός προστατευτικός εξοπλισμός

Να χρησιμοποιείτε πάντοτε εγκεκριμένο προστατευτικό εξοπλισμό. Οι χειριστές και όλα τα άλλα άτομα που βρίσκονται στο χώρο εργασίας πρέπει να φορούν προστατευτικό εξοπλισμό που να περιλαμβάνει τουλάχιστον τα εξής:

- Προστατευτικό κράνος
- Ωτοασπίδες
- Προστατευτικά γυαλιά ανθεκτικά στην κρούση με πλευρική προστασία
- Συσκευή προστασίας της αναπνοής, όταν χρειάζεται
- Προστατευτικά γάντια
- Κατάλληλες προστατευτικές μπότες

## Ναρκωτικά, αλκοόλ, φάρμακα

### ▲ ΠΡΟΕΙΔΟΠΟΙΗΣΗ Ναρκωτικά, αλκοόλ, φάρμακα

Τα ναρκωτικά, το αλκοόλ και τα φάρμακα μπορεί να επηρεάσουν αντίξοα την κρίση σας και την ικανότητα συγκέντρωσης. Κακές αντιδράσεις και λανθασμένες εκτιμήσεις μπορούν να οδηγήσουν σε σοβαρά ατυχήματα ή θάνατο.

- ▶ Μη χρησιμοποιείτε ποτέ το μηχάνημα εάν είστε κουρασμένοι ή υπό την επήρεια ναρκωτικών, αλκοόλ ή φαρμάκων.
- ▶ Δεν επιτρέπεται ο χειρισμός του μηχανήματος από άτομα που βρίσκονται υπό την επήρεια ναρκωτικών, αλκοόλ ή φαρμάκων.

## Φορέας, προφυλάξεις

Πριν χρησιμοποιήσετε ή μεταφέρετε το φορέα με τον υδραυλικό θραυστήρα τοποθετημένο, διαβάστε προσεκτικά τους κανονισμούς ασφάλειας και τις οδηγίες χειρισμού που δίνει ο κατασκευαστής του φορέα.

Βεβαιωθείτε ότι ο φορέας διαθέτει τα κατάλληλα χαρακτηριστικά προστασίας, συμπεριλαμβανομένου ενός προστατευτικού παραπτετάσματος (τύπου παρμπρίζ) μπροστά από το χειριστή.

Ο υδραυλικός θραυστήρας πρέπει να μοντάρεται μόνο σε φορέα με επαρκή φέρουσα ικανότητα.

Φορείς που δεν έχουν την απαιτούμενη φέρουσα ικανότητα δεν παρέχουν τον απαραίτητο βαθμό σταθερότητας και μπορεί ακόμη και να ανατραπούν κατά τη χρήση του υδραυλικού θραυστήρα, προκαλώντας τραυματισμούς και ζημιές.

## Εγκατάσταση, προφυλάξεις

### Υδραυλικό σύστημα

#### ▲ ΚΙΝΔΥΝΟΣ Συμπιεσμένο αέριο, κίνδυνος έκρηξης

Ο συσσωρευτής είναι υπό πίεση ακόμη και όταν το υδραυλικό σύστημα είναι κλειστό. Το ξεμοντάρισμα του συσσωρευτή χωρίς προηγούμενη εκτόνωση του αερίου αζώτου μπορεί να προκαλέσει σοβαρό τραυματισμό ή θάνατο.

- ▶ Γεμίστε το συσσωρευτή υψηλής πίεσης με άζωτο (N<sub>2</sub>) μόνο.
- ▶ Μόνο το εξουσιοδοτημένο προσωπικό μπορεί να εργαστεί με το συσσωρευτή.

#### ▲ ΠΡΟΕΙΔΟΠΟΙΗΣΗ Υδραυλικό λάδι σε υψηλή πίεση

Οι πιπιλιές υδραυλικού λαδιού υπό υψηλή πίεση μπορούν να διαπεράσουν το δέρμα και να προκαλέσουν μόνιμες βλάβες.

- ▶ Αν το υδραυλικό λάδι έχει διαπεράσει το δέρμα σας, συμβουλευθείτε αμέσως έναν γιατρό.
- ▶ Μη χρησιμοποιήσετε ποτέ τα δάχτυλά σας για να ελέγξετε αν υπάρχει διαρροή υδραυλικού υγρού.
- ▶ Κρατάτε το πρόσωπό σας μακριά από ενδεχόμενη διαρροή.

#### ▲ ΠΡΟΕΙΔΟΠΟΙΗΣΗ Υδραυλικό λάδι

Το χυμένο υδραυλικό λάδι μπορεί να προκαλέσει εγκαύματα, ατυχήματα λόγω ολισθηρότητας και μπορεί επίσης να βλάψει το περιβάλλον.

- ▶ Καθαρίστε το σημείο στο οποίο χύθηκε το υδραυλικό λάδι σύμφωνα με τους ισχύοντες κανονισμούς ασφάλειας και προστασίας του περιβάλλοντος.
- ▶ Ποτέ μην ξεμοντάρετε τον υδραυλικό θραυστήρα όταν το υδραυλικό λάδι είναι καυτό.
- ▶ Μην περάσετε ποτέ τις υδραυλικές γραμμές σύνδεσης του υδραυλικού θραυστήρα από την καμπίνα του οδηγού.

#### ▲ ΠΡΟΣΟΧΗ Δερματικό έκζεμα

Το υδραυλικό λάδι μπορεί να προκαλέσει έκζεμα αν έλθει σε επαφή με το δέρμα.

- ▶ Αποφεύγετε να πιάνετε το υδραυλικό λάδι με τα χέρια σας.
- ▶ Να φοράτε πάντοτε προστατευτικά γάντια όταν εργάζεστε με υδραυλικό λάδι.

### Συναρμολόγηση / Αποσυναρμολόγηση

#### ▲ ΠΡΟΕΙΔΟΠΟΙΗΣΗ Κινούμενα μέρη

Κίνδυνος σύνθλιψης χεριών και δακτύλων.

- ▶ Ποτέ μην ελέγχετε σπές ή διαδρομές με τα χέρια ή τα δάχτυλα.
- ▶ Οι κινήσεις της μπούμας πρέπει να γίνονται μόνο σε συνεργασία με τα άτομα που μοντάρουν τον υδραυλικό θραυστήρα.
- ▶ Αν ο υδραυλικός θραυστήρας είναι μονταρισμένος σε ταχυσύνδεσμο, βεβαιωθείτε ότι είναι καλά ασφαλισμένος και ότι δεν υπάρχει κίνδυνος να ελευθερωθεί.

## Λειτουργία, προφυλάξεις

### ▲ ΚΙΝΔΥΝΟΣ Κίνδυνος έκρηξης

Εάν ένα εργαλείο εισαγωγής έλθει σε επαφή με εκρηκτικά υλικά ή εκρηκτικά αέρια, ενδέχεται να προκληθεί έκρηξη. Κατά την εργασία με ορισμένα υλικά μπορεί να προκύψουν σπινθήρες και ανάφλεξη. Οι εκρήξεις μπορούν να προκαλέσουν σοβαρό τραυματισμό ή και θάνατο.

- ▶ Μη χειρίζεστε ποτέ το μηχάνημα σε εκρήξιμο περιβάλλον.
- ▶ Μη χρησιμοποιείτε ποτέ το μηχάνημα κοντά σε εύφλεκτα υλικά, αναθυμιάσεις ή σκόνη.
- ▶ Να βεβαιώνετε ότι δεν υπάρχουν αέρια ή εκρηκτικά άγνωστης προέλευσης.

### ▲ ΠΡΟΕΙΔΟΠΟΙΗΣΗ Πίεση λειτουργίας

Αν γίνει υπέρβαση της μέγιστης πίεσης λειτουργίας για τον υδραυλικό θραυστήρα, ο συσσωρευτής ενδέχεται να υπερφορτιστεί και να προκληθούν υλικές ζημιές και τραυματισμός ατόμων.

- ▶ Να χρησιμοποιείτε πάντοτε τον υδραυλικό θραυστήρα με την κατάλληλη πίεση λειτουργίας. Βλ. «Τεχνικά δεδομένα».

### ▲ ΠΡΟΕΙΔΟΠΟΙΗΣΗ Κίνδυνος από το πυρίτιο

Η έκθεση στο κρυσταλλικό πυρίτιο (μερικές φορές ονομάζεται «σκόνη πυριτίου») λόγω των εργασιών θραύσης ή άλλων δραστηριοτήτων στις οποίες χρησιμοποιούνται βράχοι, μπετόν, ασφαλτος ή άλλα υλικά, ενδέχεται να προκαλέσει πυριτίωση (μια σοβαρή ασθένεια των πνευμόνων), νόσους που σχετίζονται με την πυριτίωση, καρκίνο ή θάνατο. Το πυρίτιο (χαλαζίας) είναι βασικό συστατικό των βράχων, της άμμου και των μεταλλικών ορυκτών.

- ▶ Οι υδραυλικοί θραυστήρες SB έχουν τη δυνατότητα να μειώνουν τη σκόνη ώστε να ελαττώνεται η έκθεση στο πυρίτιο.

### ▲ ΠΡΟΕΙΔΟΠΟΙΗΣΗ Κίνδυνος από τη σκόνη

Ορισμένες σκόνης, αναθυμιάσεις ή άλλα αερομεταφερόμενα υλικά που δημιουργούνται κατά τη χρήση του μηχανήματος ενδέχεται να περιέχουν χημικές ουσίες οι οποίες είναι γνωστό στην Πολιτεία της Καλιφόρνιας ότι προκαλούν καρκίνο και γενετικές ανωμαλίες ή άλλες βλάβες στο αναπαραγωγικό σύστημα. Μερικά παραδείγματα τέτοιων χημικών ουσιών είναι τα εξής:

- Κρυσταλλικό πυρίτιο, τσιμέντο και άλλα οικοδομικά υλικά.
- Αρσενικό και χρώμιο από χημικά επεξεργασμένο ελαστικό.
- Μόλυβδος από χρώματα που έχουν βάση το μόλυβδο.
- ▶ Για να μειώσετε την έκθεσή σας σε αυτές τις χημικές ουσίες, πρέπει να εργάζεστε σε καλά αεριζόμενους χώρους και να χρησιμοποιείτε εγκεκριμένο εξοπλισμό ασφαλείας, όπως μάσκες προστασίας από τη σκόνη ειδικά σχεδιασμένες για το φιλτράρισμα μικροσκοπικών σωματιδίων.

### ▲ ΠΡΟΕΙΔΟΠΟΙΗΣΗ Ηλεκτροπληξία

Ο υδραυλικός θραυστήρας δεν είναι μονωμένος έναντι του ηλεκτρικού ρεύματος. Εάν ο υδραυλικός θραυστήρας έλθει σε επαφή με ηλεκτρικά κυκλώματα ή άλλες πηγές ηλεκτρικού ρεύματος, υπάρχει κίνδυνος σοβαρού τραυματισμού ή θανάτου.

- ▶ Μην εργάζεστε ποτέ κοντά σε ηλεκτρικά κυκλώματα ή σε άλλες πηγές ηλεκτρικού ρεύματος.
- ▶ Βεβαιωθείτε ότι δεν υπάρχουν κρυμμένα ηλεκτρικά κυκλώματα στην περιοχή εργασίας σας.

### ▲ ΠΡΟΕΙΔΟΠΟΙΗΣΗ Εκτινάξεις αντικειμένων

Κατά τη θραύση, σχίζες ή άλλα σωματίδια ενδέχεται να εκτιναχτούν και να προκαλέσουν τραυματισμό χτυπώντας το χειριστή ή άλλα άτομα. Μικρά αντικείμενα που πέφτουν από μεγάλο ύψος μπορούν να προκαλέσουν σοβαρό τραυματισμό.

- ▶ Αποκλείστε την περιοχή εργασίας.
- ▶ Πριν ξεκινήσετε, βεβαιωθείτε ότι δεν υπάρχουν άτομα στη ζώνη κινδύνου, 20 μέτρα στην οριζόντια και την κατακόρυφη διεύθυνση από τον υδραυλικό θραυστήρα.
- ▶ Τερματίστε αμέσως τη λειτουργία του υδραυλικού θραυστήρα μόλις αντιληφθείτε την παρουσία ατόμων στην επικίνδυνη περιοχή.

### ▲ ΠΡΟΕΙΔΟΠΟΙΗΣΗ Κίνδυνος από θορύβους

Η υψηλή στάθμη θορύβου ενδέχεται να προκαλέσει μόνιμη απώλεια της ακοής.

- ▶ Να χρησιμοποιείτε προστατευτικά ακοής σύμφωνα με τους κανονισμούς περί υγείας και ασφάλειας στους επαγγελματικούς χώρους.

## Αποθήκευση, προφυλάξεις

### ▲ ΠΡΟΕΙΔΟΠΟΙΗΣΗ Ο υδραυλικός θραυστήρας και το εργαλείο εργασίας είναι βαριά

- ▶ Φυλάσσετε τον υδραυλικό θραυστήρα και το εργαλείο εργασίας με τέτοιο τρόπο ώστε να αποτρέπεται ενδεχόμενη πτώση ή κύλιση.

## Συντήρηση, προφυλάξεις

### ▲ ΠΡΟΕΙΔΟΠΟΙΗΣΗ Ακούσια εκκίνηση

Η ακούσια εκκίνηση του υδραυλικού θραυστήρα μπορεί να προκαλέσει σοβαρούς τραυματισμούς.

- ▶ Ακολουθήστε τις οδηγίες του εγχειριδίου του φορέα για να αποτρέψετε την ακούσια εκκίνηση του υδραυλικού θραυστήρα.
- ▶ Η εγκατάσταση κυκλώματος εκκίνησης στον υδραυλικό θραυστήρα πρέπει να γίνεται με τέτοιο τρόπο ώστε να αποφεύγονται οι ακούσιες εκκινήσεις.
- ▶ Το πεντάλ του φορέα πρέπει να διαθέτει κάλυμμα ασφαλείας.

### ▲ ΠΡΟΕΙΔΟΠΟΙΗΣΗ Υδραυλικό σύστημα υπό υψηλή πίεση

Η εκτέλεση εργασιών συντήρησης σε έναν υδραυλικό θραυστήρα μπορεί να προκαλέσει σοβαρούς τραυματισμούς. Οι συνδέσεις μπορεί να χαλαρώσουν ξαφνικά, εξαρτήματα μπορεί να αρχίσουν να κινούνται και υδραυλικό λάδι μπορεί να εκτιναχτεί.

- ▶ Αποσυμπιέστε το υδραυλικό σύστημα πριν εκτελέσετε εργασίες συντήρησης στον υδραυλικό θραυστήρα ή στο φορέα.

### ▲ ΠΡΟΕΙΔΟΠΟΙΗΣΗ Τροποποίηση μηχανήματος

Οποιαδήποτε τροποποίηση του μηχανήματος ενδέχεται να προκαλέσει τραυματισμό σε εσάς ή σε άλλα άτομα.

- ▶ Μην τροποποιήσετε ποτέ το μηχάνημα.
- ▶ Να χρησιμοποιείτε πάντοτε μόνο γνήσια ανταλλακτικά και παρελκόμενα εγκεκριμένα από την Atlas Copco.

### ▲ ΠΡΟΣΟΧΗ Καυτό εργαλείο εισαγωγής

Το άκρο του εργαλείου εισαγωγής θερμαίνεται πολύ κατά τη χρήση. Εάν το αγγίξετε, μπορεί να σας προκαλέσει έγκαυμα.

- ▶ Μην αγγίζετε ποτέ ένα καυτό εργαλείο εισαγωγής.
- ▶ Περιμένετε να κρυώσει το εργαλείο εισαγωγής πριν ξεκινήσετε οποιαδήποτε εργασία συντήρησης σε αυτό.

## Επισκόπηση

Για να μειώσετε τον κίνδυνο πρόκλησης σοβαρού ή θανατηφόρου τραυματισμού στον εαυτό σας ή σε άλλους, διαβάστε την ενότητα «Οδηγίες ασφάλειας» (βρίσκεται στις προηγούμενες σελίδες του παρόντος εγχειριδίου) πριν χρησιμοποιήσετε το μηχάνημα.

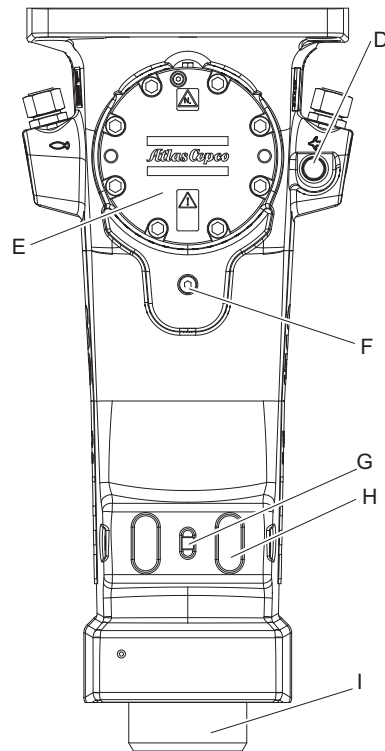
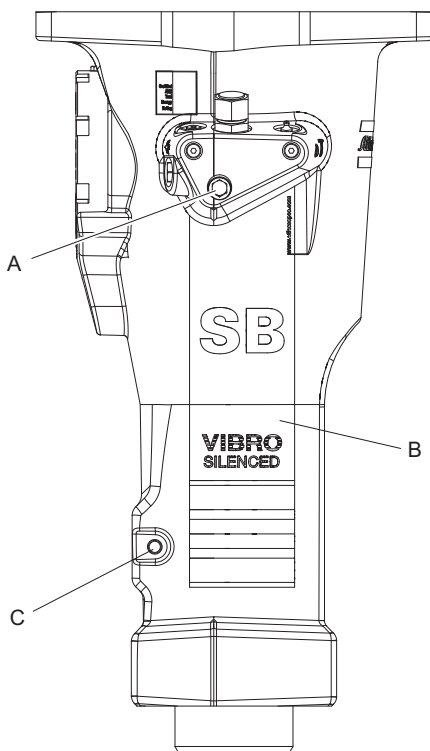
## Σχεδιασμός και λειτουργία

Η SB είναι μια σειρά υδραυλικών θραυστήρων με εξοπλισμό, κατάλληλη για κάθε είδους εργασίες κατεδάφισης.

Το SB προέρχεται από τα αρχικά των αγγλικών λέξεων Solid Body (Ενιαίο Σώμα) και σημαίνει ότι το σώμα του θραυστήρα είναι ένα κομμάτι μόνο. Ο συσσωρευτής είναι ενσωματωμένος στο σώμα.

Ο χειρισμός του υδραυλικού θραυστήρα γίνεται από την καμπίνα οδηγού του φορέα, με χρήση του υδραυλικού συστήματος του φορέα. Η συχνότητα του θραυστήρα ρυθμίζεται από τη ροή του λαδιού από το φορέα.

## Κύρια μέρη

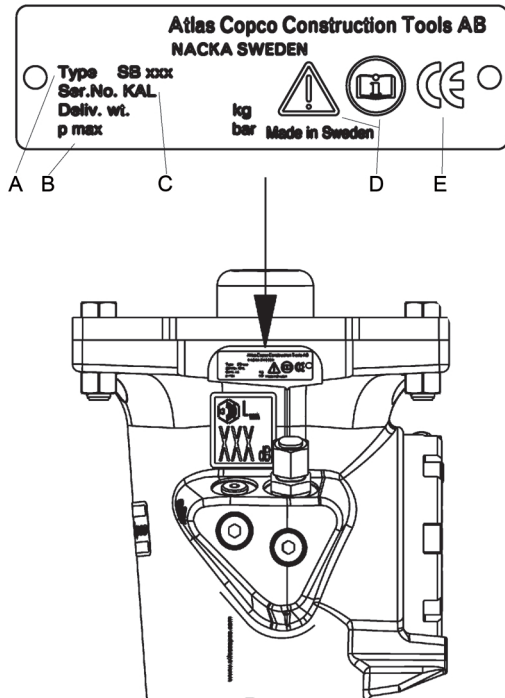


- A. Μειωτήρας
- B. Σώμα σφύρας
- C. Πείρος ασφάλισης
- D. Βαλβίδα ανακούφισης πίεσης
- E. Συσσωρευτής
- F. Τάπα αποστράγγισης λαδιού
- G. Αποσβεστήρας ασφάλισης
- H. Διάταξη συγκράτησης εργαλείου
- I. Έδρανο

## Σήματα και αυτοκόλλητες ετικέτες

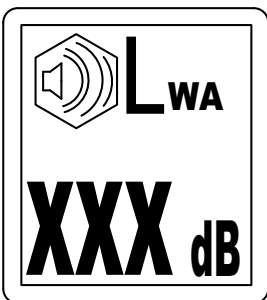
Στο μηχάνημα υπάρχουν σήματα και αυτοκόλλητες ετικέτες που περιέχουν σημαντικές πληροφορίες σχετικά με την προσωπική ασφάλεια του χειριστή και τη συντήρηση του μηχανήματος. Τα σήματα και οι αυτοκόλλητες ετικέτες πρέπει να είναι πάντοτε ευανάγνωστα. Μπορείτε να παραγγείλετε νέα σήματα και αυτοκόλλητες ετικέτες από τον κατάλογο ανταλλακτικών.

## Πινακίδα δεδομένων



- A. Τύπος μηχανήματος
- B. Μέγιστη υδραυλική πίεση
- C. Σειριακός αριθμός
- D. Το προειδοποιητικό σύμβολο μαζί με το σύμβολο του βιβλίου σημαίνουν ότι ο χειριστής πρέπει να διαβάσει τις Οδηγίες ασφάλειας και χειρισμού πριν χρησιμοποιήσει το μηχάνημα για πρώτη φορά.
- E. Το σύμβολο CE σημαίνει ότι το μηχάνημα είναι εγκεκριμένο από την ΕΕ. Για περισσότερες πληροφορίες, δείτε τη δήλωση συμμόρφωσης CE που συνοδεύει το μηχάνημα.

## Σήμα στάθμης θορύβου



Η ετικέτα υποδεικνύει την εγγυημένη στάθμη θορύβου σύμφωνα με την κατευθυντήρια οδηγία της Ευρωπαϊκής Ένωσης 2000/14/ΕΚ. Για την ακριβή στάθμη θορύβου, ανατρέξτε στην ενότητα «Τεχνικά στοιχεία».

## Πινακίδες στο συσσωρευτή



Διαβάστε προσεκτικά τις οδηγίες επισκευών πριν από εργασίες σέρβις ή αντικατάστασης.



Ο συσσωρευτής πρέπει να γεμίζει μόνο με άζωτο.

*Προειδοποίηση* Μόνο το εξουσιοδοτημένο προσωπικό μπορεί να εργαστεί με το συσσωρευτή.

## Μεταφορά

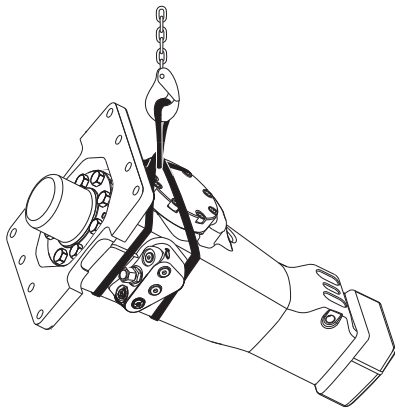
## Ανύψωση του υδραυλικού θραυστήρα

**▲ ΠΡΟΕΙΔΟΠΟΙΗΣΗ** Ο θραυστήρας μπορεί να προκαλέσει τραυματισμό κατά την πτώση του

- Ο υδραυλικός θραυστήρας πρέπει να τοποθετείται σε ασφαλή θέση για να μην μπορεί να πέσει και να προκαλέσει ζημιές.

Να βεβαιώνετε με προσοχή ότι ο φορέας είναι αρκετά σταθερός κατά τη μεταφορά ή την εκτέλεση εργασιών συντήρησης ή άλλου είδους εργασιών στον υδραυλικό θραυστήρα.

Ο υδραυλικός θραυστήρας παραδίδεται σε ένα κιβώτιο. Για να ανυψώσετε τον υδραυλικό θραυστήρα με ασφαλή τρόπο, προσαρμόστε τον ιμάντα ανύψωσης με τον τρόπο που απεικονίζεται στην παρακάτω εικόνα.



## Εγκατάσταση

Πριν εγκαταστήσετε τον υδραυλικό θραυστήρα στον φορέα ή αρχίσετε να τον χρησιμοποιείτε, διαβάστε το εγχειρίδιο χρήσης και τις οδηγίες ασφάλειας που παρέχονται από τον κατασκευαστή του φορέα. Εφαρμόστε όλες τις οδηγίες.

Ο φορέας πρέπει να διαθέτει το κατάλληλο υδραυλικό σύστημα για τη λειτουργία του θραυστήρα.

Αν ο φορέας είναι υπερβολικά μεγάλος για τον υδραυλικό θραυστήρα, μπορεί να προκληθεί θραύση των εργαλείων εργασίας και αυξημένη φθορά. Βλ. «Τεχνικά δεδομένα» για την επιλογή του κατάλληλου φορέα.

Ο εξοπλισμός ασφάλειας του υδραυλικού συστήματος πρέπει να ελέγχεται ως προς την ποιότητα (σήμανση EC, κλπ.), καταλληλότητα και λειτουργικότητα από επαγγελματία/εξουσιοδοτημένο επιθεωρητή πριν από τη χρήση.

## Ελαστικοί σωλήνες και συνδέσεις

### ▲ ΠΡΟΕΙΔΟΠΟΙΗΣΗ Μη ελεγχόμενες κινήσεις του υδραυλικού ελαστικού σωλήνα

Οι υδραυλικοί ελαστικοί σωλήνες που βρίσκονται υπό πίεση είναι δυνατόν να αρχίσουν να κινούνται ανεξέλεγκτα στον αέρα αν οι βίδες είναι χαλαρές ή όταν τις ξεβιδώνετε. Ένας υδραυλικός ελαστικός σωλήνας που κινείται ανεξέλεγκτα στον αέρα μπορεί να προκαλέσει σοβαρούς τραυματισμούς.

- ▶ Να αποσυμπιέσετε το υδραυλικό σύστημα πριν ξεβιδώσετε τη σύνδεση ενός υδραυλικού ελαστικού σωλήνα.
- ▶ Σφίγγετε τα παξιμάδια των συνδέσεων των υδραυλικών ελαστικών σωλήνων στην απαιτούμενη ροπή.

Τύπος ρακόρ: Τυπικό ρακόρ Atlas Copco ORFS. Οι διαστάσεις του ρακόρ μπορούν να βρεθούν στις λίστες ανταλλακτικών.

Η ποιότητα των υδραυλικών ελαστικών σωλήνων πρέπει να είναι 2SC (κατά EN 857) ή καλύτερη για τη σύνδεση του θραυστήρα με το φορέα. Αν πρόκειται να χρησιμοποιηθούν ταχυσύνδεσμοι, σας προτείνουμε να χρησιμοποιήσετε το ταχυσύνδεσμο «Flat Face». Ο τύπος αυτός είναι ανθεκτικός και καθαρίζεται εύκολα. Η κατηγορία πίεσης του ταχυσυνδέσμου πρέπει να συμφωνεί με την πίεση λειτουργίας του φορέα.

Καθαρίζετε πάντοτε τους ταχυσυνδέσμους πριν από το μοντάρισμα ή το ξεμοντάρισμα. Να φράζετε πάντοτε τους ελαστικούς σωλήνες και τα ρακόρ των ελαστικών σωλήνων με καθαρά και σφιχτά πώματα κατά το ξεμοντάρισμα.

### Συνδέσεις ελαστικών σωλήνων

#### Δεξιά (Όπως φαίνονται από το κάθισμα του χειριστή)

Σύμβολο	Καθαρισμός με αέρα	Κεντρική λίπανση	Δεξαμενή, γραμμή επιστροφής
SB 52	G 1/4"	G 1/4"	G 3/8"
SB 102	G 1/4"	G 1/4"	G 1/2"
SB 152	G 1/4"	G 1/4"	G 1/2"
SB 202	G 1/4"	G 1/4"	G 1/2"
SB 302	G 1/4"	G 1/4"	G 3/4"
SB 452	G 1/4"	G 1/4"	G 3/4"
SB 552	G 1/4"	G 1/4"	G 1"

### Συνδέσεις ελαστικών σωλήνων

#### Αριστερά (Όπως φαίνονται από το κάθισμα του χειριστή)

Σύμβολο	Νερό	Πίεση στον θραυστήρα	Πίεση για ContiLube®II
SB 52	-	G 3/8"	G 1/4"
SB 102	-	G 1/2"	G 1/4"
SB 152	G 1/4"	G 1/2"	G 1/4"
SB 202	G 1/4"	G 1/2"	G 1/4"
SB 302	G 1/4"	G 3/4"	G 1/4"
SB 452	G 1/4"	G 3/4"	G 1/4"
SB 552	G 1/4"	G 1"	G 1/4"

### Ροπή σύσφιγξης για τον ελαστικό σωλήνα πίεσης και επιστροφής

SB 52	60 Nm
SB 102	150 Nm
SB 152	150 Nm
SB 202	150 Nm
SB 302	210 Nm
SB 452	210 Nm
SB 552	300 Nm



## Το υδραυλικό λάδι

Κανονικά, ο τύπος του υδραυλικού λαδιού που χρησιμοποιείται από το φορέα είναι κατάλληλος και για τον υδραυλικό θραυστήρα.

Όταν ένας υδραυλικός θραυστήρας συνδέεται με το φορέα, το υδραυλικό λάδι θα προσλάβει ακαθαρσίες πιο γρήγορα. Διαβάστε και ακολουθήστε τις οδηγίες αλλαγής λαδιού και φίλτρου λαδιού που ισχύουν για το φορέα. Συνήθως η αλλαγή φίλτρου λαδιού είναι πιο συχνή όταν υπάρχει εγκατεστημένος υδραυλικός θραυστήρας.

Οι υδραυλικοί θραυστήρες SB διαθέτουν ένα πώμα λαδιού για αποστράγγιση όλου του λαδιού πριν από το ξεμοντάρισμα. Με αυτόν τον τρόπο ελαχιστοποιείται ο κίνδυνος να χυθεί το λάδι.

*Προειδοποίηση* Ο θραυστήρας SB, κατά την παράδοσή του, περιέχει μια ποσότητα υδραυλικού ορυκτελαίου. Πριν από τη σύνδεση με το υδραυλικό σύστημα του φορέα, ελέγξτε τον τύπο υδραυλικού λαδιού που χρησιμοποιεί ο φορέας. Η ανάμιξη διαφορετικών τύπων υδραυλικού λαδιού ενδέχεται να καταστρέψει την ποιότητα λίπανσης με αποτέλεσμα να υποστεί ζημιά το μηχάνημα.

## Συναρμολόγηση

**▲ ΠΡΟΕΙΔΟΠΟΙΗΣΗ** Ο θραυστήρας μπορεί να προκαλέσει τραυματισμό κατά την πτώση του

- ▶ Ο υδραυλικός θραυστήρας πρέπει να τοποθετείται σε ασφαλή θέση για να μην μπορεί να πέσει και να προκαλέσει ζημιές.

Θέστε σε κυκλοφορία το υδραυλικό λάδι πριν συνδέσετε τον υδραυλικό θραυστήρα. Με αυτόν τον τρόπο θα βεβαιωθείτε ότι το υδραυλικό λάδι είναι καθαρό. Εφαρμόστε την ίδια μέθοδο όταν αλλάζετε τον ελαστικό σωλήνα υδραυλικού λαδιού. Για

περισσότερες πληροφορίες, βλ. «Το υδραυλικό λάδι».

1. Συνδέστε τον ελαστικό σωλήνα πίεσης και επιστροφής.

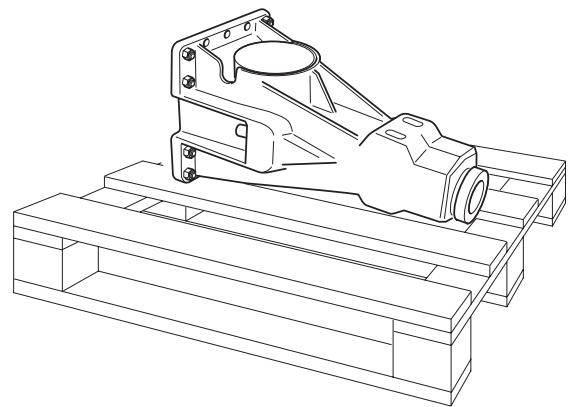


2. Αφήστε το υδραυλικό λάδι να περάσει από το φίλτρο λαδιού του φορέα για 3 λεπτά περίπου, για να βεβαιωθείτε ότι οι ελαστικοί σωλήνες είναι καθαροί.

### Προετοιμασία

1. Τοποθετήστε τον θραυστήρα σε τέτοια θέση ώστε το μοντάρισμα της πλάκας προσαρμογής να είναι ασφαλές και εύκολο.

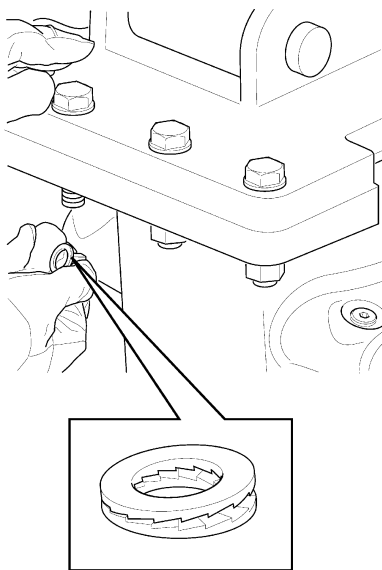
*Προειδοποίηση* Μοντάρετε τον θραυστήρα με τέτοιον τρόπο ώστε ο συσσωρευτής να είναι στραμμένος προς την καμπίνα του χειριστή ώστε να μειωθεί ο κίνδυνος να υποστεί ζημιά ο συσσωρευτής.



### Μοντάρισμα της πλάκας προσαρμογής

2. Αν ο κοχλίας «Tough lock» της Atlas Copco δεν είναι διαθέσιμος, σας προτείνουμε να χρησιμοποιείτε ροδέλες NORD-LOCK™ κάτω από τον κοχλία και το περικόχλιο (το NORD-LOCK™ είναι καταχωρισμένο εμπορικό

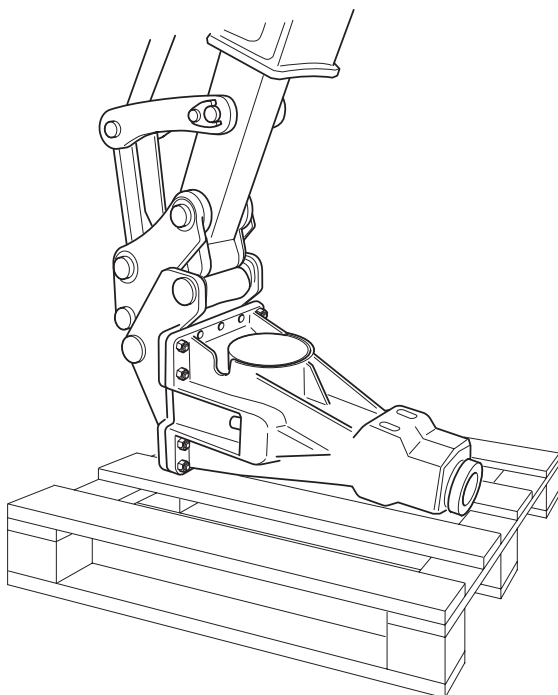
σήμα της Nord-Lock AB στις Ηνωμένες Πολιτείες ή/και σε άλλες χώρες).



Πλάκα προσαρμογής	Ροπή σύσφιξης
SB 52	290 Nm
SB 102	200 Nm
SB 152	200 Nm
SB 202	200 Nm
SB 302	170 Nm
SB 452	400 Nm
SB 552	400 Nm

*Σύνδεση του θραυστήρα στο φορέα*

3. Τοποθετήστε το θραυστήρα με ασφαλή τρόπο κατά την εγκατάσταση.



Η είσοδος της πίεσης στον υδραυλικό θραυστήρα είναι στην αριστερή πλευρά όταν είστε στραμμένοι προς το συσσωρευτή. Αν ο ελαστικός σωλήνας πίεσης είναι στην άλλη πλευρά του βραχίονα, μπορείτε να διασταυρώσετε τους ελαστικούς σωλήνες ή να γυρίσετε τον υδραυλικό θραυστήρα.

4. Χαμηλώστε προσεκτικά το βραχίονα της μπουμάς μέσα στον προσαρμογέα.

**▲ ΠΡΟΕΙΔΟΠΟΙΗΣΗ** Τα κινούμενα μέρη μπορούν να συνθλίψουν και να κόψουν

- Ποτέ μην ελέγχετε οπές ή διαδρομές με τα χέρια ή τα δάχτυλα.

Ένας βοηθός θα πρέπει να κατευθύνει την κίνηση του βραχίονα μέχρι να ευθυγραμμιστούν οι οπές του βραχίονα με τις οπές του προσαρμογέα.

Συμφωνήστε με το βοηθό όσον αφορά τα σαφή σήματα με τα χέρια που θα χρησιμοποιούνται κατά τη διαδικασία μονταρίσματος.

5. Περάστε τον πείρο και την ασφάλεια.
6. Ανυψώστε τον υδραυλικό θραυστήρα χρησιμοποιώντας την μπουμά.
7. Εκπτώξτε τον κύλινδρο του εμβολέα μέχρι να ευθυγραμμιστούν οι οπές του βραχίονα με τις οπές του προσαρμογέα. Περάστε τον αρθρωτό πείρο και την ασφάλεια.
8. Αφού μοντάρτε το θραυστήρα, εκπτώξτε και συμπτύξτε προσεκτικά τον κύλινδρο του εμβολέα μέχρι τις ακραίες θέσεις σε κάθε κατεύθυνση. Είναι σημαντικό να υπάρχει δυνατότητα πλήρους έκπτυξης και σύμπτυξης του κυλίνδρου χωρίς καμία δυσκολία.

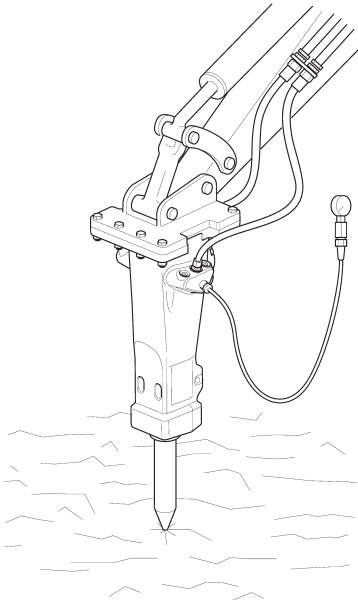
## Ρύθμιση πίεσης

Οι θραυστήρες SB διαθέτουν μία βαλβίδα ανακούφισης πίεσης η οποία ασφαλίζει το θραυστήρα. Η πίεση λειτουργίας του υδραυλικού θραυστήρα (μέγ. 150 bar) ελέγχεται και ρυθμίζεται από ένα μανόμετρο κατά τη λειτουργία του υδραυλικού θραυστήρα.

- Αν η πίεση λειτουργίας είναι μεγαλύτερη από 150 bar, η πίεση πρέπει να μειωθεί. Μειώστε τη ροή λαδιού από το φορέα μέχρι να κατέλθει η πίεση στα 150 bar. Η ρύθμιση αυτή είναι σημαντική για να διασφαλιστεί ότι η βαλβίδα ανακούφισης πίεσης που είναι ενσωματωμένη στο θραυστήρα δεν θα ανοίξει και δεν θα υπάρξει διαρροή λαδιού πίσω

στη δεξαμενή με αποτέλεσμα να δημιουργηθούν προβλήματα με τη θερμοκρασία.

- Αν η πίεση λειτουργίας είναι μεταξύ 130–150 bar, κανονικά δεν απαιτείται ρύθμιση.
- Αν η ροή λαδιού του φορέα είναι υπερβολικά χαμηλή για να διατηρηθεί μια αποδεκτή πίεση λειτουργίας, ο μειωτήρας στο θραυστήρα πρέπει να αντικατασταθεί. Δείτε τα διαγράμματα ροής στα «Τεχνικά δεδομένα» για να επιλέξετε τον καλύτερο μειωτήρα για την εφαρμογή σας.



Τοποθετήστε τον υδραυλικό θραυστήρα κατακόρυφα προς το συμπαγές βραχώδες υπόβαθρο ή κάτι ανάλογο για να ρυθμίσετε την πίεση χρησιμοποιώντας ένα μανόμετρο.

## Έκπλυση με νερό

Ο υδραυλικός θραυστήρας μπορεί να εκπλένεται με νερό, ώστε να συγκρατείται η σκόνη κατά την εκτέλεση εργασιών κατεδάφισης.

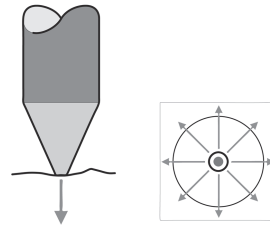
Κατά τη σύνδεση για έκπλυση με νερό, το πώμα στην πρόσθια πλευρά του θραυστήρα πρέπει να αλλαχθεί με ένα ακροφύσιο νερού. Ανατρέξτε στον κατάλογο ανταλλακτικών για την παραγγελία νέου ακροφυσίου νερού.

Χρησιμοποιήστε έναν υδραυλικό ελαστικό σωλήνα 1/4" με σύνδεση JIC ως σωλήνα νερού. Η κατανάλωση νερού στα 4 bar είναι 6,6 l/min. Για περισσότερες οδηγίες, επικοινωνήστε με το πλησιέστερο εξουσιοδοτημένο συνεργείο.

## Εργαλείο εισαγωγής

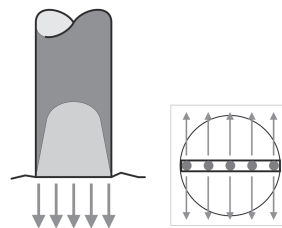
### Επιλογή του σωστού εργαλείου εισαγωγής

#### Μυτερό κοπίδι κωνικού σχήματος



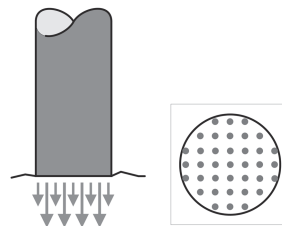
- Πολύ καλή διείσδυση
- Κανονική κατανομή δράσης σφήνας
- Δεν παρατηρείται στρέψη

#### Κοπίδια και τσάπες



- Πολύ καλή κατανομή της δράσης της σφήνας
- Καλή διείσδυση
- Φαινόμενο στρέψης

#### Εργαλείο με αβλύ άκρο



- Πολύ καλή εφαρμογή ενέργειας
- Βέλτιστη θραύση
- Δεν παρατηρείται στρέψη

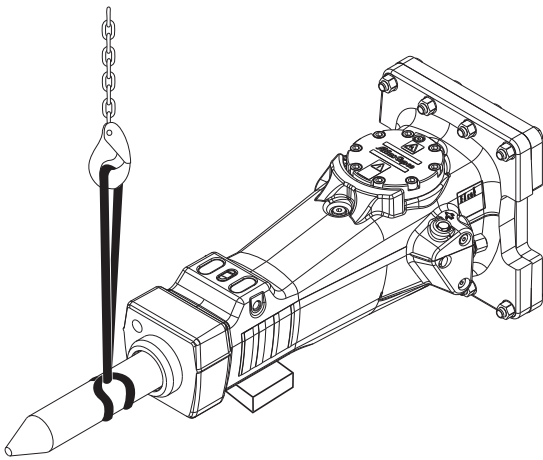
## Μοντάρισμα και ξεμοντάρισμα του εργαλείου εισαγωγής

### ▲ ΠΡΟΕΙΔΟΠΟΙΗΣΗ Κινητήρας σε λειτουργία

Η αλλαγή του εργαλείου εισαγωγής όταν ο κινητήρας του φορέα είναι σε λειτουργία ενδέχεται να προκαλέσει σοβαρό τραυματισμό.

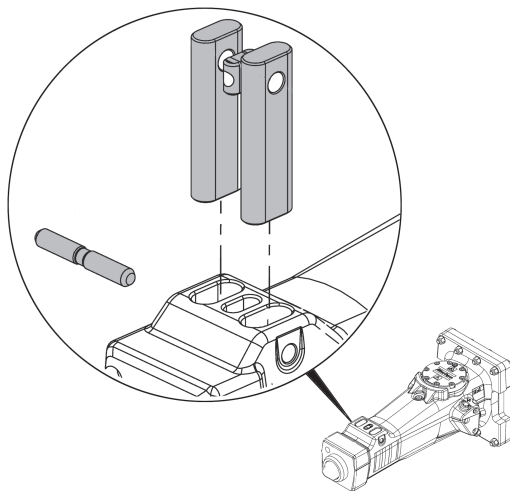
► Ασφαλίστε το φορέα έναντι ακούσιας ενεργοποίησης.

1. Τερματίστε τη λειτουργία του κινητήρα του φορέα αλλάζοντας το εργαλείο που έχει εισαχθεί.
2. Να μοντάρετε (και να ξεμοντάρετε) το εργαλείο εισαγωγής με έναν ιμάντα ανύψωσης, για να μειώσετε τον κίνδυνο σύνθλιψης μερών του ανθρώπινου σώματος.



Ορισμένα εργαλεία εργασίας είναι βαριά. Για το λόγο αυτό, ανασηκώνετε και βγάζετε το εργαλείο εισαγωγής με ασφαλή τρόπο.

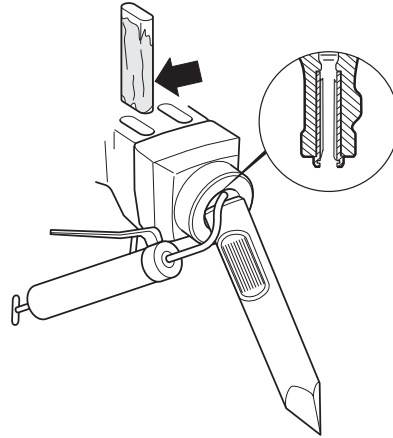
3. Βεβαιωθείτε ότι ο αποσβεστήρας ασφάλισης δεν είναι φθαρμένος ούτε έχει υποστεί ζημιά.



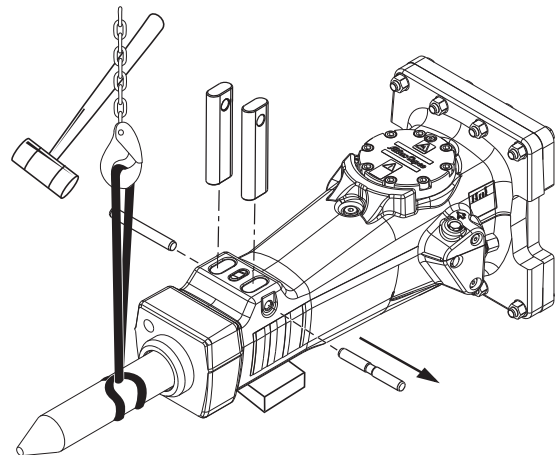
Ο αποσβεστήρας ασφάλισης στην ασφάλεια της διάταξης συγκράτησης εργαλείου είναι κατασκευασμένος από πλαστικό και μπορεί να λιώσει όταν εργάζεστε σε ζεστό περιβάλλον. Αν

συμβεί κάτι τέτοιο, αλλάξτε τον τυπικό πείρο ασφάλισης. Στον κατάλογο ανταλλακτικών μπορείτε να βρείτε έναν προαιρετικό ελατηριωτό πείρο για να τον χρησιμοποιήσετε.

4. Καθαρίστε και λιπάνετε το έδρανο πολύ καλά. Αυτό είναι ιδιαίτερα σημαντικό όταν μοντάρετε ένα νέο εργαλείο εισαγωγής.



5. Μοντάρετε το εργαλείο εισαγωγής.
6. Περιστρέψτε το εργαλείο εισαγωγής για να απλωθεί το γράσο.
7. Μοντάρετε τις διατάξεις συγκράτησης εργαλείου, διαδοχικά.
8. Σπρώξτε προς τα μέσα τον πείρο ασφάλισης έως ότου ο αποσβεστήρας ασφάλισης εφαρμόσει στο αυλάκι του πείρου ασφάλισης.



Το εργαλείο εισαγωγής ξεμοντάρεται με την αντίστροφη σειρά, σε σχέση με τις οδηγίες μονταρίσματος.

## Χειρισμός

*Προειδοποίηση* Ο υδραυλικός θραυστήρας ή το εργαλείο εργασίας δεν πρέπει να χρησιμοποιείται ως ανυψωτική διάταξη. Όταν ανυψώνετε βαριά εξαρτήματα, να χρησιμοποιείτε το άγκιστρο στο βραχίονα του φορέα.

## Προετοιμασία πριν από τη θραύση

### Θερμοκρασίες λειτουργίας

Οι θερμοκρασίες λειτουργίας του υδραυλικού θραυστήρα είναι μεταξύ  $-20\text{ }^{\circ}\text{C}$  και  $+80\text{ }^{\circ}\text{C}$ .

#### ▲ ΠΡΟΣΟΧΗ Κίνδυνος από τη θερμοκρασία

Ο υδραυλικός θραυστήρας και το σύστημα υδραυλικού λαδιού του φορέα μπορεί να υποστούν ζημιά αν ο υδραυλικός θραυστήρας χρησιμοποιηθεί σε υψηλότερες ή χαμηλότερες θερμοκρασίες.

- ▶ Ξεκινήστε τον υδραυλικό θραυστήρα μόνον αν το υδραυλικό λάδι έχει αποκτήσει την κατάλληλη θερμοκρασία λειτουργίας.
- ▶ Αν η εξωτερική θερμοκρασία είναι χαμηλότερη από  $-20\text{ }^{\circ}\text{C}$ , θα χρειαστεί να προθερμάνετε το εργαλείο εργασίας και τον υδραυλικό θραυστήρα πριν από τη χρήση.
- ▶ Αν η θερμοκρασία του λαδιού υπερβεί τους  $+80\text{ }^{\circ}\text{C}$ , δεν πρέπει να χρησιμοποιήσετε τον υδραυλικό θραυστήρα επειδή η ποιότητα του λαδιού δεν είναι πλέον κατάλληλη, με αποτέλεσμα να συντομεύεται σε σημαντικό βαθμό η διάρκεια ζωής για τις σιμούχες και τους δακτυλίους σχήματος «Ο».

### Στροφές κινητήρα

Οι υπερβολικά υψηλές στροφές/λεπτό του κινητήρα έχουν ως αποτέλεσμα την αυξημένη κατανάλωση καυσίμου και την αυξημένη θερμοκρασία λαδιού. Προσαρμόστε τις στροφές του κινητήρα στην προτεινόμενη τιμή για να επιτύχετε την κατάλληλη ροή λαδιού κατά τη λειτουργία.

## Χειρισμός

### Θραύση

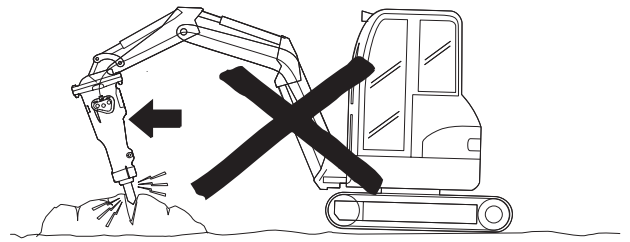
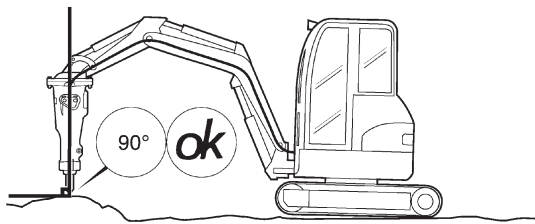
#### ▲ ΠΡΟΣΟΧΗ Κίνδυνος από τη λειτουργία του μηχανήματος και του εργαλείου

Η συνεχής λειτουργία σε πλήρη έκπτυξη/σύμπτυξη μπορεί να προκαλέσει ζημιά στους υδραυλικούς κυλίνδρους.

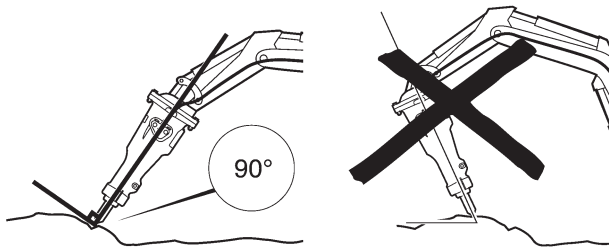
- ▶ Να αποφεύγετε πάντοτε να χρησιμοποιείτε το θραυστήρα με τους κυλίνδρους σε πλήρη έκπτυξη ή σύμπτυξη.
- ▶ Επανατοποθετήστε το φορέα ή/και τη μπούμα για να αποφύγετε την πλήρη έκπτυξη ή σύμπτυξη των κυλίνδρων.
- ▶ Να δίνετε μεγάλη προσοχή και να παρακολουθείτε αυτό που κάνετε.

Μη θέσετε ποτέ σε λειτουργία τον υδραυλικό θραυστήρα αν ο φορέας και ο υδραυλικός θραυστήρας δεν βρίσκονται στη σωστή θέση.

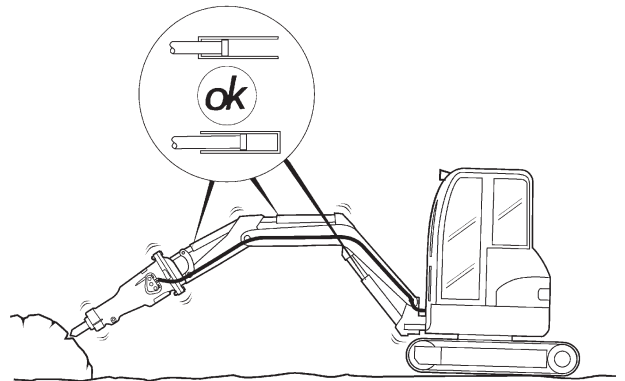
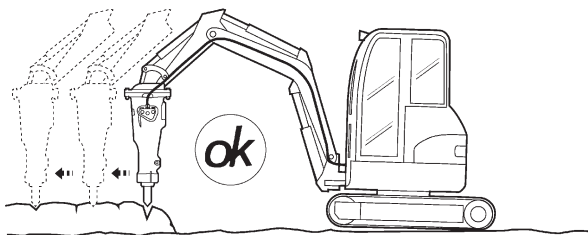
- ◆ Κατευθύνετε τον υδραυλικό θραυστήρα σε θέση 90° προς το αντικείμενο.



- ◆ Χρησιμοποιείτε τη σωστή πίεση τροφοδοσίας. Όταν η πίεση τροφοδοσίας είναι σωστή, ο υδραυλικός θραυστήρας έχει τη βέλτιστη απόδοση και τους ελάχιστους κραδασμούς. Επίσης, η φθορά στο έδρανο και στο εργαλείο είναι η ελάχιστη δυνατή.

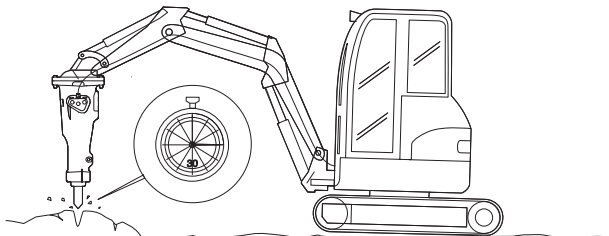


- ◆ Ξεκινήστε από την άκρη και προχωρήστε προς το μέσο. Μην ξεκινάτε ποτέ από το μέσο μεγάλων αντικειμένων.



- ◆ Ακούτε τον ήχο του υδραυλικού θραυστήρα. Ο ήχος αλλάζει αν υπάρχει κάμψη μεταξύ εργαλείου και εδράνου.

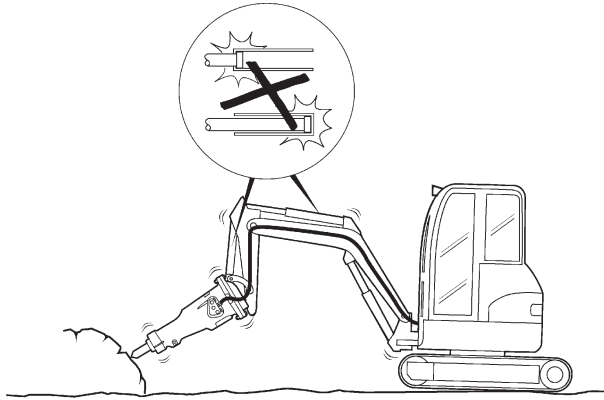
- ◆ Μη χρησιμοποιείτε ποτέ τον υδραυλικό θραυστήρα για διάστημα μεγαλύτερο από 15 δευτερόλεπτα στο ίδιο σημείο. Μετακινήστε το εργαλείο εργασίας σε νέα θέση αν δεν επιτευχθεί θραύση του αντικειμένου.



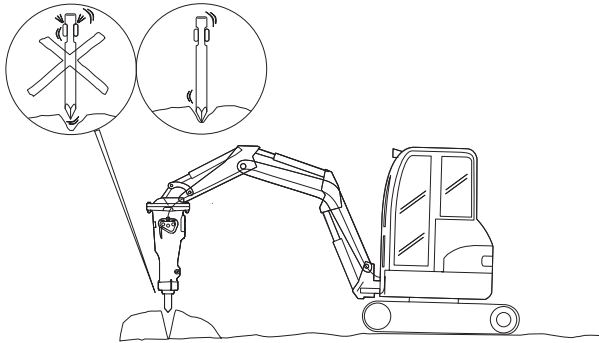
- ◆ Μη λυγίσετε ποτέ το εργαλείο εργασίας.



- ◆ Μη χρησιμοποιείτε το θραυστήρα με τους κυλίνδρους της μπούμας στις ακραίες θέσεις τους. Μπορεί να προκληθεί ζημιά στο φορέα.

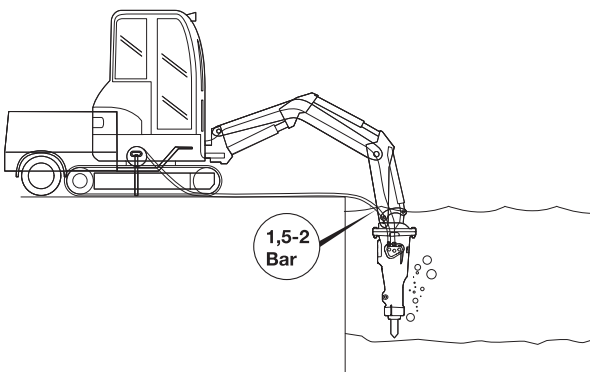


- ◆ Αποφεύγετε τις κρούσεις χωρίς φορτίο γιατί προκαλούν φθορά στο εργαλείο εργασίας και στις διατάξεις συγκράτησης του εργαλείου.



### Θραύση κάτω από το νερό

Οι υδραυλικοί θραυστήρες μπορούν να χρησιμοποιηθούν και κάτω από το νερό.



Κατά την υποβρύχια λειτουργία, ο υδραυλικός θραυστήρας πρέπει να τροφοδοτείται με συμπιεσμένο αέρα για να διατηρεί το χώρο μεταξύ του εμβόλου και του εργαλείου εργασίας χωρίς νερό. Αν ο χώρος μεταξύ του εμβόλου και του εργαλείου εργασίας γεμίσει με νερό, ενδέχεται να διεισδύσει το νερό στο σύστημα υδραυλικού λαδιού όταν ξεκινήσει ο υδραυλικός θραυστήρας.

Η πίεση του αέρα πρέπει να είναι 1,5–2 bar στην είσοδο αέρα του θραυστήρα και η κατανάλωση του αέρα αναφέρεται στα «Τεχνικά δεδομένα». Κατάλληλος ελαστικός σωλήνας αέρα είναι ο υδραυλικός σωλήνας ¼” με σύνδεση JIC. Επικοινωνήστε με το πλησιέστερο εξουσιοδοτημένο συνεργείο για περαιτέρω οδηγίες.

## Συντήρηση

Είναι σημαντικό να εκτελούνται τακτικά οι εργασίες συντήρησης ώστε ο θραυστήρας να διατηρεί τη μέγιστη απόδοσή του.

Ο εξοπλισμός που δεν συντηρείται επαρκώς μπορεί να είναι επικίνδυνος για το χειριστή και για τα άτομα που βρίσκονται κοντά στο θραυστήρα. Να βεβαιώνετε ότι εκτελούνται οι τακτικές διαδικασίες συντήρησης και λίπανσης ώστε ο εξοπλισμός να είναι ασφαλής και αποτελεσματικός.

## Ανά δίσωρο

Το εργαλείο εργασίας, οι διατάξεις συγκράτησης εργαλείου και τα έδρανα πρέπει να λιπαίνονται τακτικά με την ειδική πάστα εργαλείων της Atlas Copco.

### Λίπανση με πιστόλι γράσου

**▲ ΠΡΟΕΙΔΟΠΟΙΗΣΗ** Καυτό εργαλείο εργασίας κατά τη λειτουργία και για λίγη ώρα μετά τη χρήση.

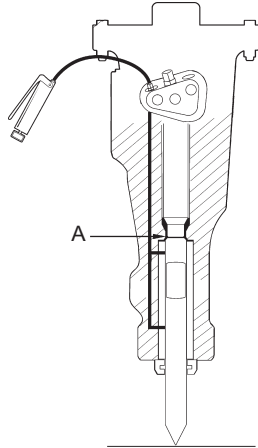
- ▶ Αποφεύγετε την επαφή με το εργαλείο εργασίας.

**▲ ΠΡΟΣΟΧΗ Δερματικό έκζεμα**

Το γράσο μπορεί να προκαλέσει έκζεμα αν έλθει σε επαφή με το δέρμα.

► Αποφεύγετε να πιάνετε το γράσο με τα χέρια σας.

1. Ωθήστε το εργαλείο εντελώς μέσα στο θραυστήρα μέχρι τον αναστολέα (Α). Διαφορετικά, ο χώρος ανάμεσα στο άνω μέρος του εργαλείου και στο θραυστήρα θα γεμίσει με γράσο.



2. Λιπαίνετε καλά το στέλεχος του εργαλείου εργασίας σε όλους τους χειρισμούς με ανοδική κατεύθυνση. Το έδρανο και το εργαλείο εργασίας πρέπει να λιπαίνονται τόσο συχνά ώστε να μην είναι δυνατή η διείσδυση ακαθαρσιών στον υδραυλικό θραυστήρα.

Όταν το στέλεχος του εργαλείου είναι εκτεθειμένο σε υψηλή πίεση και υψηλές θερμοκρασίες, ο κοινός τύπος γράσου λιώνει και «τρέχει». Για να αποφύγετε κάτι τέτοιο, χρησιμοποιείτε πάντοτε την ειδική πάστα εργαλείων της Atlas Copco.

**Σύστημα κεντρικής λίπανσης**

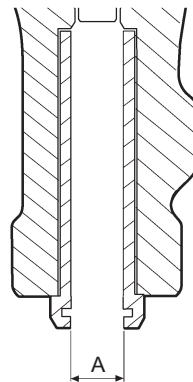
Συνιστούμε το σύστημα κεντρικής λίπανσης της Atlas Copco. Όταν αυτό το σύστημα είναι εγκατεστημένο στο φορέα, το γράσο οδηγείται συνεχώς μέσω αντλίας από ένα δοχείο λίπανσης του φορέα στο θραυστήρα, όταν ενεργοποιείται ο θραυστήρας. Με αυτόν τον τρόπο αυξάνεται σημαντικά η διάρκεια ζωής των εδράνων του εργαλείου και των εργαλείων εργασίας.

**Κάθε μέρα**

1. Ελέγχετε τις διατάξεις συγκράτησης εργαλείου και τον πείρο ασφάλισης.
2. Να βεβαιώνετε ότι οι ελαστικοί σωλήνες, οι σύνδεσμοι και ο συσσωρευτής είναι σε καλή κατάσταση.
3. Να βεβαιώνετε ότι οι κοχλίες και οι συνδέσεις δεν έχουν υποστεί ζημιά και ότι οι συνδέσεις είναι σφιχτές. Οι τιμές ροπής σύσφιγξης παρατίθενται στον κατάλογο ανταλλακτικών.
4. Να γεμίζετε το σύστημα κεντρικής λίπανσης.

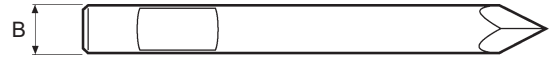
**Κάθε εβδομάδα**

1. Καθαρίστε τον υδραυλικό θραυστήρα προσεκτικά.
2. Να ελέγχετε τη φθορά του εδράνου του εργαλείου και τα όρια της μέγιστης εσωτερικής φθοράς (B).



Το έδρανο του εργαλείου πρέπει να αντικατασταθεί όταν η εσωτερική διάμετρος (A) φθάσει στο μέγιστο όριο φθοράς, βλ. «Όρια φθοράς» και «Αντικατάσταση εδράνου εργαλείου εργασίας».

3. Ελέγχετε το εργαλείο εργασίας για φθορά (C).



Το εργαλείο εργασίας πρέπει να αντικατασταθεί όταν η εξωτερική διάμετρος (B) φθάσει το όριο ελάχιστης φθοράς. Βλ. «Όρια φθοράς».

Ένα υπερβολικά μεγάλο διάκενο μπορεί να προκαλέσει θραύση του εργαλείου εργασίας και ζημιά στο έμβολο.

4. Ελέγξτε το σώμα του θραυστήρα και την πλάκα του προσαρμογέα για ρωγμές και φθορά.
5. Βεβαιωθείτε ότι οι κοχλίες του συσσωρευτή είναι καλά σφιγμένοι. Η σωστή ροπή σύσφιγξης αναφέρεται στον κατάλογο ανταλλακτικών.



Το εργαλείο εργασίας δεν πρέπει ποτέ να ακονιστεί με σφυρηλάτηση. Το ακόνισμα πρέπει να γίνεται μόνο με φρεζάρισμα, τρόχισμα ή τορνάρισμα.

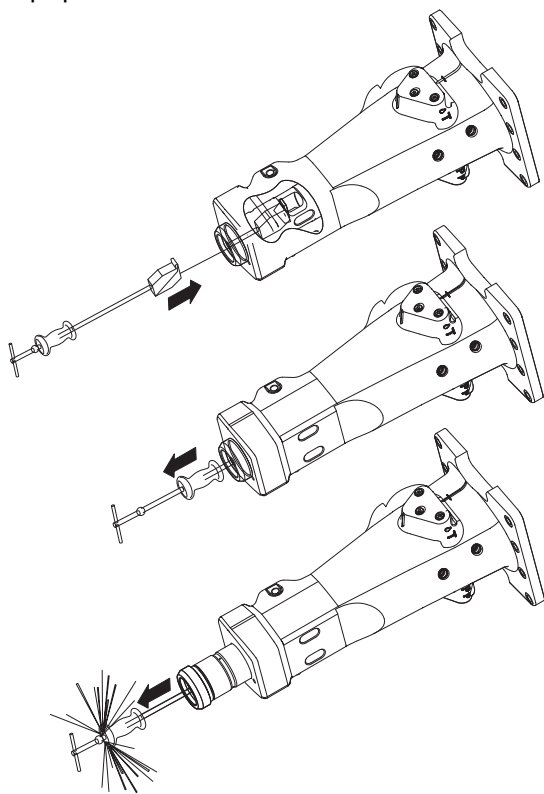
### Όρια φθοράς

	B mm (in.)	C mm (in.)
SB 52	42 (1,6)	38 (1,5)
SB 102	47 (1,8)	43 (1,7)
SB 152	52 (2,0)	48 (1,9)
SB 202	68 (2,7)	63 (2,5)
SB 302	83 (3,3)	78 (3,1)
SB 452	98 (3,85)	92 (3,6)
SB 552	103 (4,1)	97 (3,8)

### Αντικατάσταση εδράνου εργαλείου εργασίας

Το έδρανο του εργαλείου εργασίας διατηρείται στη θέση του από τις διατάξεις συγκράτησης εργαλείου. Το νέο έδρανο εφαρμόζει με ολίσθηση.

1. Αν ένα φθαρμένο έδρανο κολλήσει, χρησιμοποιήστε ένα ολισθαίνον σφυρί για να το αφαιρέσετε.



2. Καθαρίστε προσεκτικά την οπή και το χώρο τοποθέτησης του εδράνου.
3. Τοποθετήστε νέους δακτυλίους σχήματος «Ο», λιπάνετε και τοποθετήστε το έδρανο.
4. Χρησιμοποιήστε μία πλαστική σφύρα για να τοποθετήσετε το έδρανο.
5. Κρατήστε το έδρανο στη θέση του με τη βοήθεια των διατάξεων συγκράτησης του εργαλείου.

6. Τοποθετήστε ένα νέο ελατήριο απόξεσης.

## Κάθε χρόνο

Γενική επισκευή πρέπει να γίνεται όταν έχει παρέλθει 1 έτος συνεχούς λειτουργίας. Η γενική επισκευή πρέπει να γίνεται για λόγους ασφαλείας από εξουσιοδοτημένο προσωπικό στο πλησιέστερο συνεργείο της Atlas Copco ή από άλλα συνεργεία τα οποία είναι εξουσιοδοτημένα από την Atlas Copco.

## Αποθήκευση

**▲ ΠΡΟΕΙΔΟΠΟΙΗΣΗ** Ο θραυστήρας μπορεί να προκαλέσει τραυματισμό κατά την πτώση του

- Ο υδραυλικός θραυστήρας πρέπει να τοποθετείται σε ασφαλή θέση για να μην μπορεί να πέσει και να προκαλέσει ζημιές.

Αν ο υδραυλικός θραυστήρας δεν χρησιμοποιηθεί για μεγάλο διάστημα, θα πρέπει να προσέξετε τα ακόλουθα σημεία για να τον προστατεύσετε από διάβρωση:

1. Καθαρίστε τον υδραυλικό θραυστήρα προσεκτικά.
2. Ξεμοντάρετε το εργαλείο εργασίας και λιπάνετε το πρόσθιο τμήμα του εμβόλου, το έδρανο και την ασφάλεια της διάταξης συγκράτησης του εργαλείου.
3. Αποθηκεύστε τον υδραυλικό θραυστήρα σε στεγνό χώρο.

## Απόρριψη

Ένα μεταχειρισμένο μηχάνημα πρέπει να απορρίπτεται με τέτοιο τρόπο ώστε το μεγαλύτερο μέρος των υλικών να μπορεί να ανακυκλώνεται και οι τυχόν αρνητικές επιπτώσεις στο περιβάλλον να ελαχιστοποιούνται.

Πριν απορρίψετε ένα μεταχειρισμένο μηχάνημα, θα πρέπει να το αδειάσετε και να το καθαρίσετε από το υδραυλικό λάδι. Το λάδι που απομένει πρέπει να φυλαχθεί και οι τυχόν αρνητικές επιπτώσεις στο περιβάλλον να ελαχιστοποιηθούν.

## Τεχνικά δεδομένα

### Δεδομένα μηχανήματος

	SB 52	SB 102	SB 152	SB 202	SB 302	SB 452	SB 552
Αριθμός παραγγελίας	8460 0300 10	8460 0300 30	8460 0300 40	8460 0300 50	8460 0300 60	8460 0300 70	8460 0300 80
Βάρος κατά τη λειτουργία (kg)	55	87	140	201	310	441	521
Βάρος κατά την παράδοση (kg)	44	68	110	154	224	321	390
Διάμετρος στελέχους εργαλείου (mm)	40	45	50	65	80	95	100

### Χωρητικότητα

	SB 52	SB 102	SB 152	SB 202	SB 302	SB 452	SB 552
Ελάχιστη-μέγιστη χωρητικότητα κατάλληλων φορέων (σε τόνους)	0.7–1.1	1.1–3.0	1.9–4.5	2.5–6.0	4.5–9	6.5–13	9–15
Ροή λαδιού (l/min)	15–32	16–35	25–45	35–66	50–80	55–100	65–115
Ρυθμός κρούσεων (χτυπήματα/λεπτό)	960–2160	720–2280	840–1920	840–1800	600–1380	540–1260	660–1140
Πίεση λειτουργίας (bar)	100–150	100–150	100–150	100–150	100–150	100–150	100–150
Αποδοχή αντίθλιψης (bar)	25	18	25	25	26	21	18
Πίεση συσσωρευτή (bar)	40	40	40	40	40	40	40
Βαλβίδα ανακούφισης πίεσης (bar)	170	170	170	170	170	180	170
Πίεση νερού (bar)	-	-	4	4	4	4	4
Κατανάλωση νερού (l/min)	-	-	≤5	≤5	≤9	≤9	≤9
Πίεση αέρα (bar)	2	2	2	2	2	2	2
Ροή αέρα (l/min)	≤730	≤730	≤730	≤730	≤730	≤730	≤730

### Δήλωση συμμόρφωσης για θόρυβο

	SB 52	SB 102	SB 152	SB 202	SB 302	SB 452	SB 552
Πίεση θορύβου <sup>1</sup> dB(A)	89	87	86	90	91	94	98
Ισχύς θορύβου <sup>2</sup> dB(A)	117	115	114	118	119	122	126

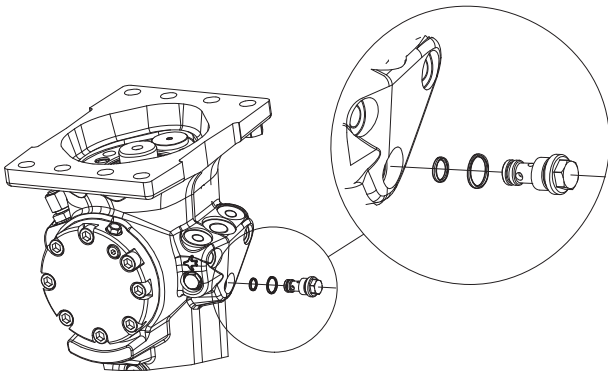
<sup>1</sup> Στάθμη πίεσης θορύβου κατά EN ISO 3744 σύμφωνα με την οδηγία 2000/14/EC σε απόσταση 10 μέτρων.

<sup>2</sup> Εγγυημένη ισχύς θορύβου κατά EN ISO 3744 σύμφωνα με την οδηγία 2000/14/EC μαζί με την παραγόμενη διάδοση.

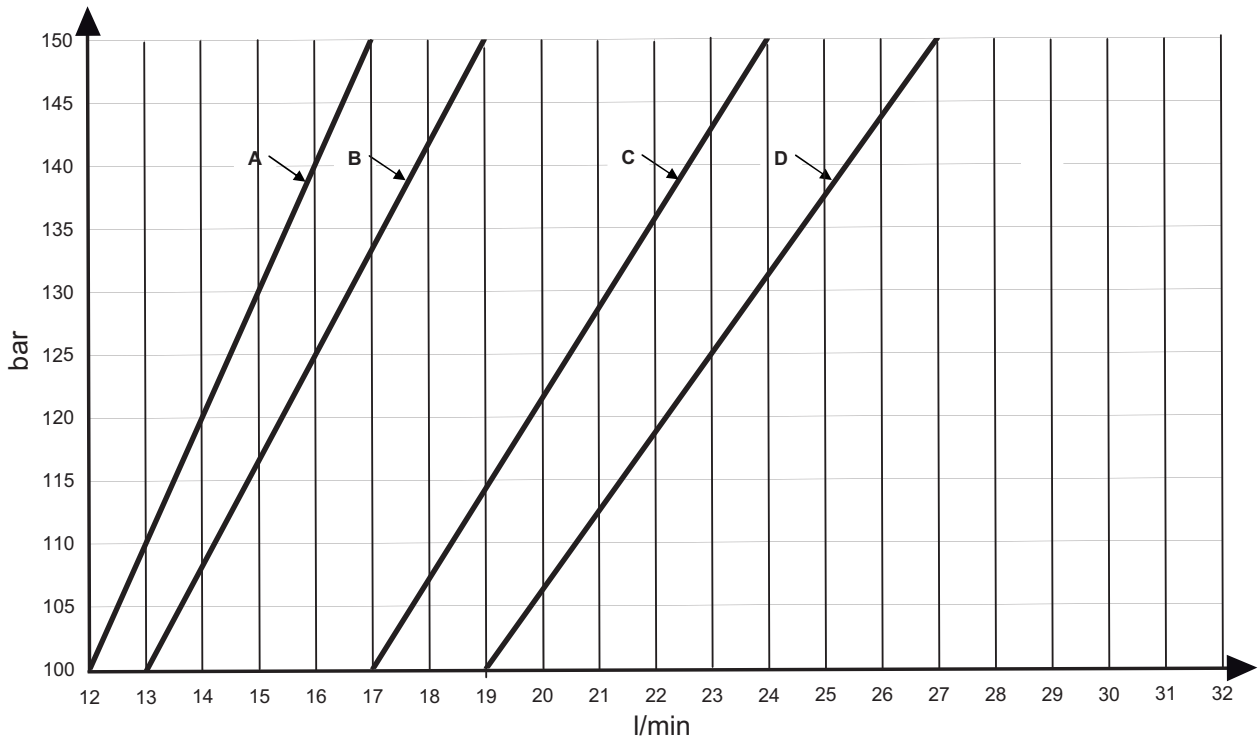
### Διαγράμματα ροής για σωστή πίεση λειτουργίας

Η ροή λαδιού του φορέα μπορεί να περιοριστεί ώστε να επιτευχθεί η κατάλληλη πίεση λειτουργίας. Μπορείτε να παραγγείλετε μειωτήρες από τον κατάλογο ανταλλακτικών.

Τα διαγράμματα δείχνουν ροή λαδιού με ιξώδες 32 cSt.

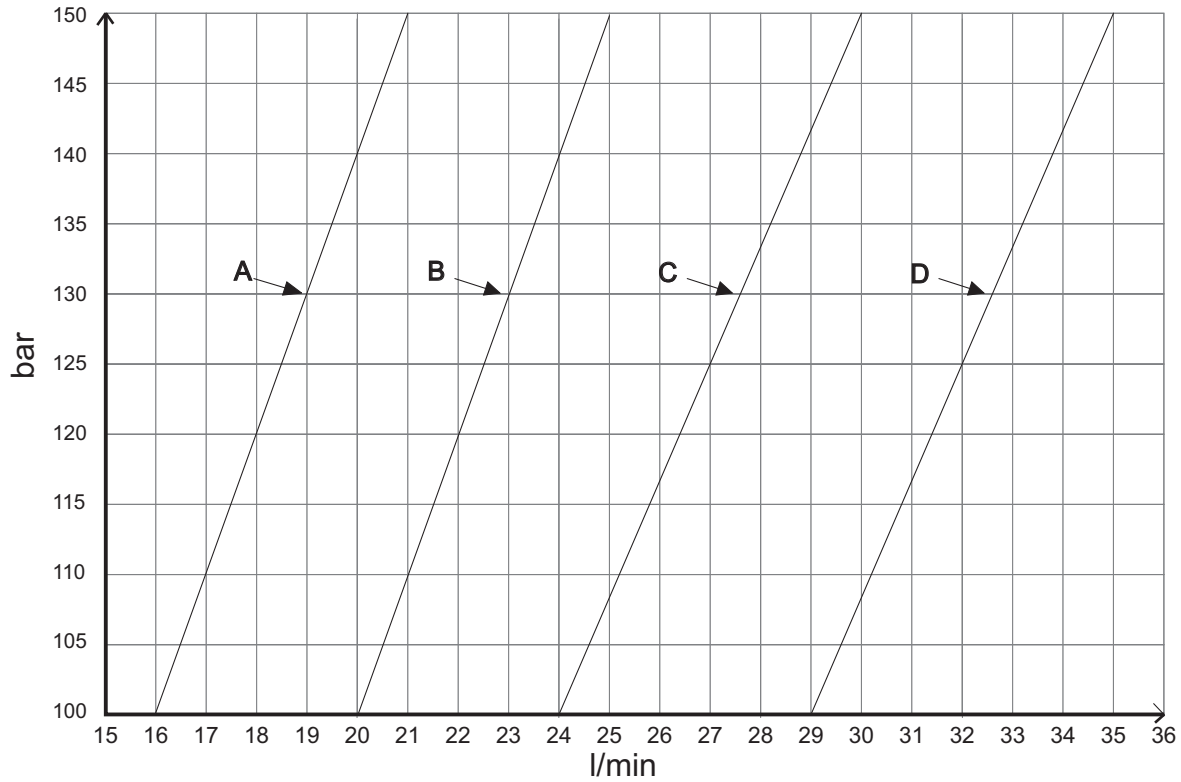


**SB 52: 100–150 bar**



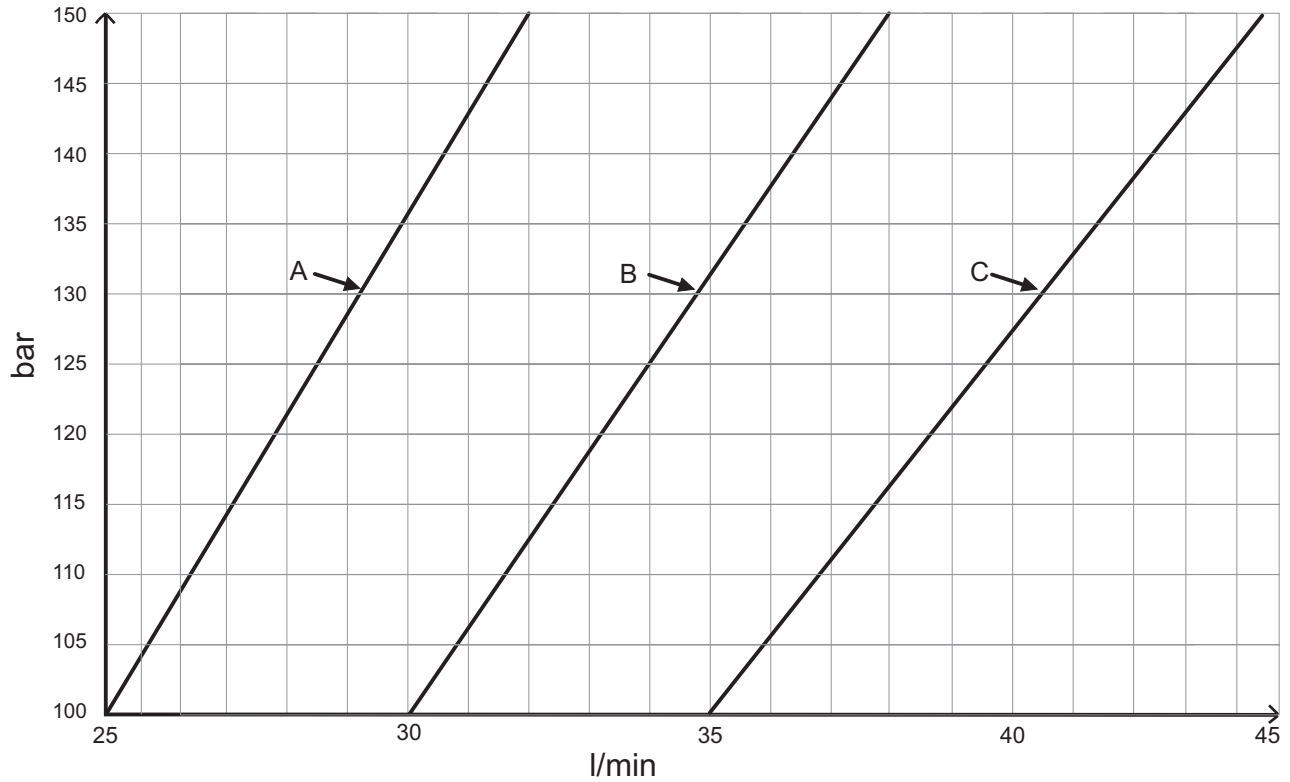
Μειωτήρας	Αρ. παραγγελίας	Μειωτήρας	Αρ. παραγγελίας
A	3315 2875 22	C	3315 2875 36
B	3315 2875 24	D (Τυπικός)	3315 2875 37

**SB 102: 100–150 bar**



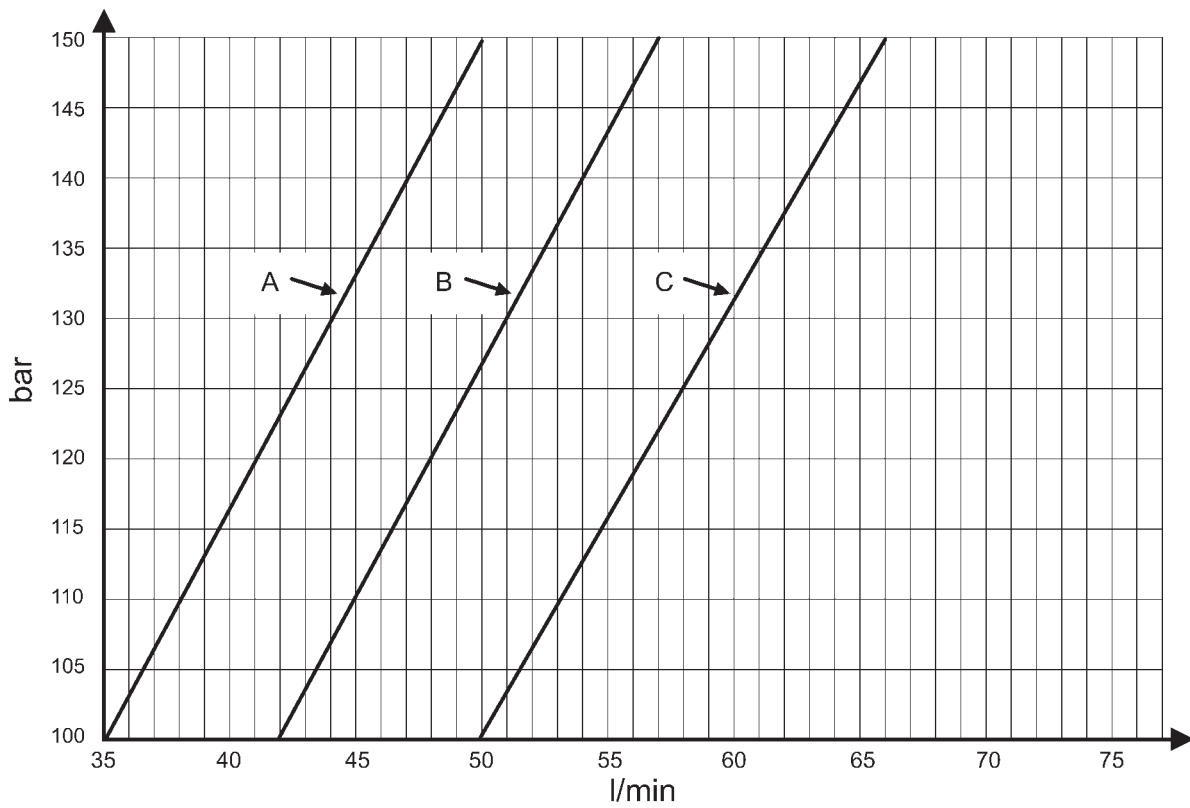
Μειωτήρας	Αρ. παραγγελίας	Μειωτήρας	Αρ. παραγγελίας
A	3315 2875 36	C	3315 2875 38
B	3315 2875 37	D (Τυπικός)	3315 2875 35

## SB 152: 100–150 bar



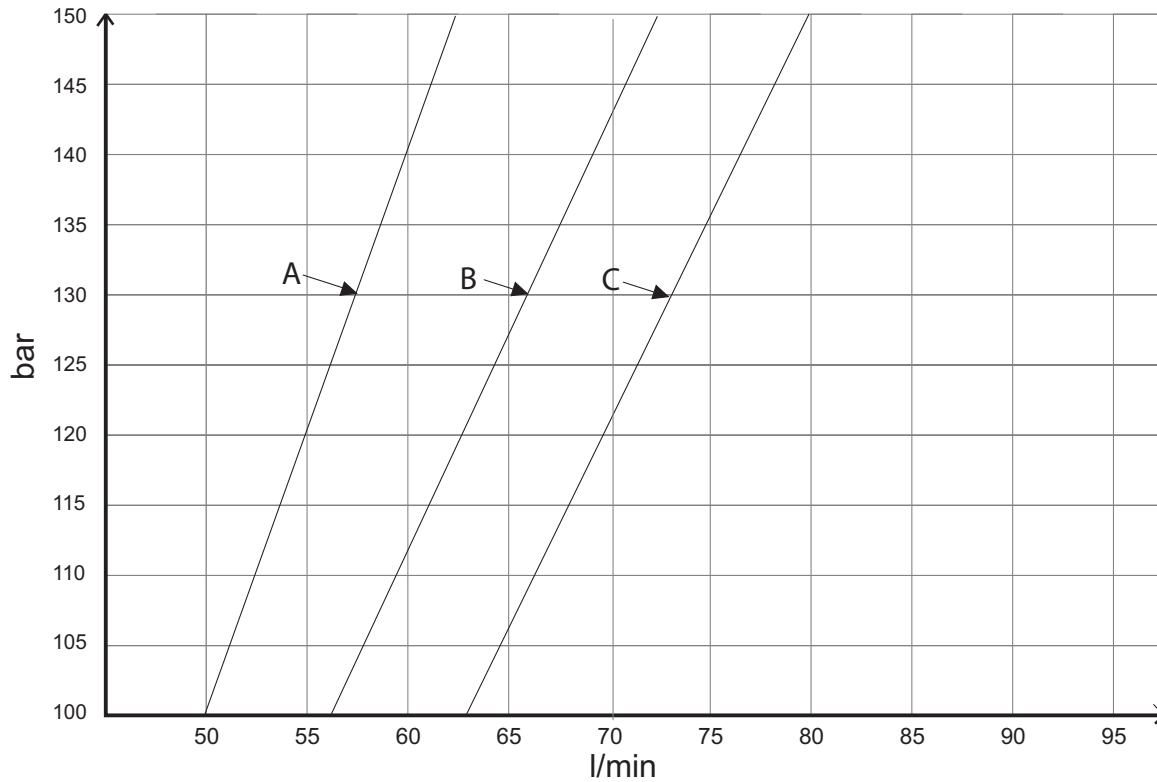
Μειωτήρας	Αρ. παραγγελίας	Μειωτήρας	Αρ. παραγγελίας
A	3315 2875 40	C (Τυπικός)	3315 2875 51
B	3315 2875 35		

**SB 202: 100–150 bar**



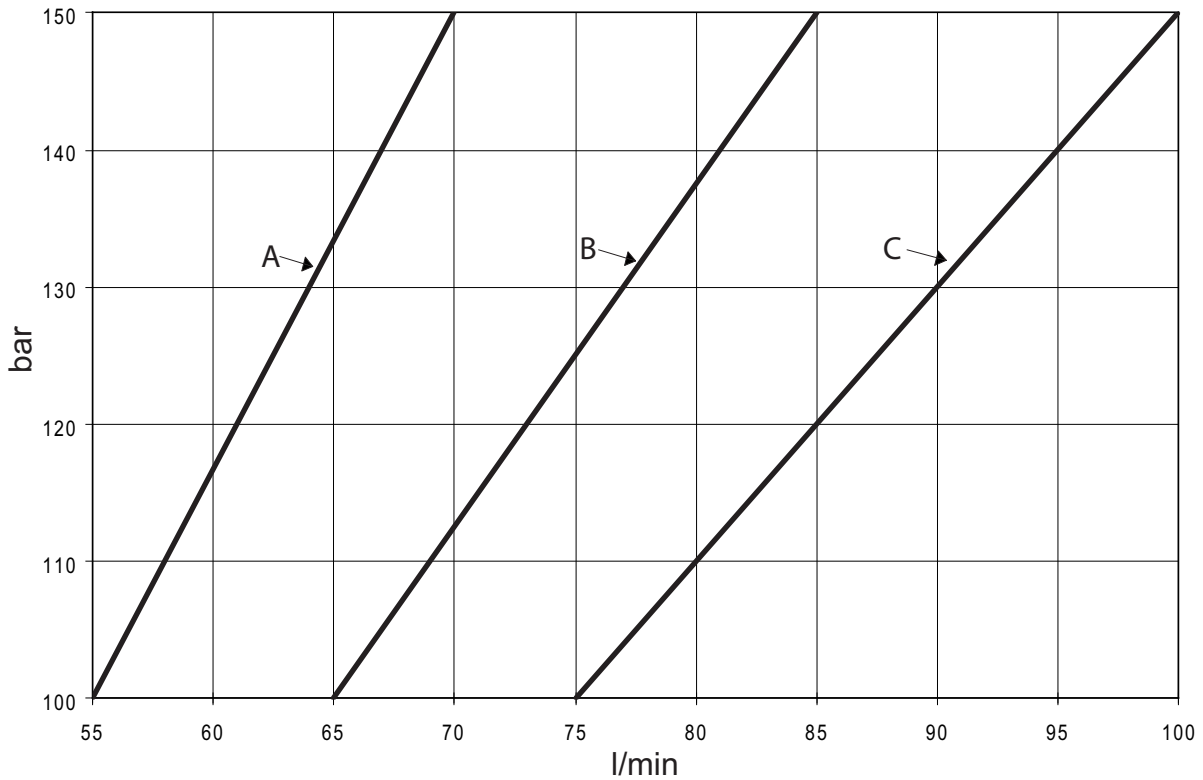
Μειωτήρας	Αρ. παραγγελίας	Μειωτήρας	Αρ. παραγγελίας
A	3315 2875 45	C (Τυπικός)	3315 3040 80
B	3315 2875 55		

**SB 302: 100-150 bar**



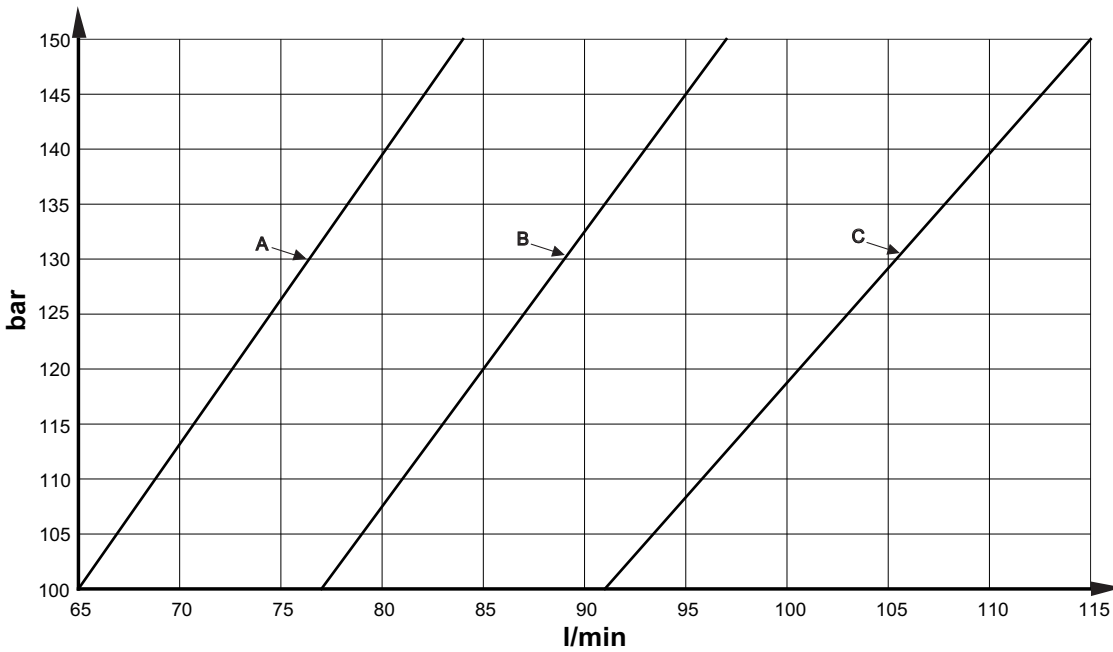
Μειωτήρας	Αρ. παραγγελίας	Μειωτήρας	Αρ. παραγγελίας
A	3315 3588 54	C (Τυπικός)	3315 3588 63
B	3315 3152 35		

**SB 452: 100–150 bar**



Μειωτήρας	Αρ. παραγγελίας	Μειωτήρας	Αρ. παραγγελίας
A	3315 3152 35	C (Τυπικός)	3315 3152 53
B	3315 3152 45		

**SB 552: 100–150 bar**



Μειωτήρας	Αρ. παραγγελίας	Μειωτήρας	Αρ. παραγγελίας
A	3315 3152 35	C (Τυπικός)	3315 3152 55
B	3315 3152 45		





## SUOMI

## Sisällys

Johdanto.....	221
Tietoja turvallisuusohjeista ja käyttöohjeesta.....	221
<b>Turvallisuusohjeet.....</b>	<b>222</b>
<b>Turvasignaali-tekstit.....</b>	<b>222</b>
<b>Henkilökohtaiset varotoimenpiteet ja valmiudet.....</b>	<b>222</b>
Kuljetus.....	222
Asennus, varastointi, huolto ja käytöstä poisto.....	222
Käyttö.....	222
Testaus.....	222
Henkilökohtainen suojavarustus.....	222
Huumeet ja alkoholin tai lääkkeiden käyttö.....	222
<b>Alusta, varotoimenpiteet.....</b>	<b>223</b>
<b>Asennus, varotoimenpiteet.....</b>	<b>223</b>
Hydrauliikkajärjestelmä.....	223
Kokoaminen / purkaminen.....	223
<b>Käyttö, varotoimenpiteet.....</b>	<b>223</b>
<b>Varastointi, varotoimenpiteet.....</b>	<b>224</b>
<b>Huolto, varotoimenpiteet.....</b>	<b>224</b>
<b>Yleistä.....</b>	<b>225</b>
<b>Rakenne ja toiminta.....</b>	<b>225</b>
<b>Tärkeimmät osat.....</b>	<b>225</b>
<b>Kilvet ja tarrat.....</b>	<b>225</b>
Tietolevy.....	226
Melutaso.....	226
Paineakun kilvet.....	226
<b>Kuljetus.....</b>	<b>226</b>
<b>Hydraulisen iskuvasaran nostaminen.....</b>	<b>226</b>
<b>Asennus.....</b>	<b>227</b>
<b>Letkut ja liitännät.....</b>	<b>227</b>
<b>Hydrauliöljy.....</b>	<b>227</b>
<b>Osa.....</b>	<b>228</b>
<b>Paineensäätö.....</b>	<b>229</b>
<b>Vesihuuhtelu.....</b>	<b>229</b>
<b>Työkalu.....</b>	<b>230</b>
Oikean työkalun valinta.....	230
Kartiokärki.....	230
Taltat ja lapioterät.....	230
Tylppäkärki.....	230
Työkalun asennus ja irrotus.....	230
<b>Toimenpide.....</b>	<b>231</b>
<b>Toimenpiteet ennen työn aloitusta.....</b>	<b>231</b>
Käyttölämpötilat.....	231
Moottorin käyntinopeus.....	231
<b>Käyttö.....</b>	<b>231</b>
Murtaminen.....	231
Murtaminen veden alla.....	232
<b>Huolto.....</b>	<b>233</b>
<b>Kahden tunnin välein.....</b>	<b>233</b>
Voitelu rasvauspuristimella.....	233

Keskusvoitelujärjestelmä.....	233
<b>Päivittäin</b> .....	233
<b>Viikoittain</b> .....	234
Kulumisrajat.....	234
Terätyökalun holkin uusinta.....	234
<b>Vuosittain</b> .....	234
<b>Varastointi</b> .....	235
<b>Käytöstä poistettava kone</b> .....	235
<b>Tekniset tiedot</b> .....	236
<b>Koneen tiedot</b> .....	236
<b>Kapasiteetit</b> .....	236
<b>Meluarvot</b> .....	236
<b>Oikean käyttöpaineen prosessikaaviot</b> .....	236
SB 52: 100–150 baria.....	237
SB 102: 100–150 baria.....	238
SB 152: 100–150 baria.....	239
SB 202: 100–150 baria.....	240
SB 302: 100–150 baria.....	241
SB 452: 100–150 bar.....	242
SB 552: 100–150 baria.....	242



## Johdanto

Kiitos kun valitsit Atlas Copcon tuotteen. Jo vuodesta 1873 lähtien olemme halunneet kehittää uusia ja parempia tapoja täyttää asiakkaittemme tarpeet. Vuosien mittaan olemme suunnitelleet uudentyyppisiä ja ergonomisia tuotteita, joiden avulla asiakkaamme ovat voineet tehostaa ja rationalisoida päivittäistä työtään.

Atlas Copcolla on tehokas, asiakaspalvelukeskuksista ja jälleenmyyjäliikkeistä koostuva maailmanlaajuinen myynti- ja huoltoverkosto. Erikoiskoulutuksen saaneet asiantuntijamme hallitsevat kaiken tuotteisiimme ja sovelluksiimme liittyvän tiedon. Voimme tarjota tuotetukea ja asiantuntijapalveluita kaikkialla maailmassa, ja siten asiakkaamme voivat olla varmoja, että he pystyvät työskentelemään kaikkina aikoina parhaalla mahdollisella tehokkuudella.

Lisätietoja on osoitteessa: [www.atlascopco.com](http://www.atlascopco.com)

## Tietoja turvallisuusohjeista ja käyttöohjeesta

Ohjeiden tarkoituksena on neuvoa käyttäjille hydraulisen iskuvasaran tehokas ja turvallinen käyttötapa. Lisäksi ohjeissa neuvotaan hydrauliselle iskuvasaralle tehtävät säännölliset huoltotyöt.

Ennen hydraulisen iskuvasaran käytön aloittamista sinun on perehdyttävä näihin ohjeisiin perusteellisesti.

## Turvallisuusohjeet

Perehdy näihin turvamääräyksiin, ennen kuin alat käyttää konetta. Turvamääräyksiä noudattamalla vältytään vakavilta vammautumisilta ja hengenvaaralta.

Toimita nämä turvamääräykset työkohteisiin ja anna työntekijöille kopiot. Varmista, että kaikki konetta käsittelevät perehtyvät turvamääräyksiin ennen koneen käyttöä tai huoltotöitä.

Noudata kaikkia turvallisuusmääräyksiä.

## Turvasignaali-tekstit

Turvasignaali-tekstit Vaara, Varoitus ja Huomio tarkoittavat seuraavaa:

<b>VAARA</b>	Välitön vaaratilanne, jonka laiminlyönti johtaa hengenvaaraan tai vakavaan vammautumiseen.
<b>VAROITUS</b>	Välitön vaaratilanne, jonka laiminlyönti voi johtaa hengenvaaraan tai vakavaan vammautumiseen.
<b>HUOMIO</b>	Mahdollinen vaaratilanne, jonka laiminlyönti voi johtaa vähäiseen tai lievään vammaan.

## Henkilökohtaiset varotoimenpiteet ja valmiudet

Vain ammattitaitoinen ja koulutettu henkilöstö saa käyttää konetta. Luota aina terveeseen järkeen ja älä tee mitään harkitsematonta.

### Kuljetus

Iskuvasaraa saavat kuljettaa vain henkilöt:

- joilla on valtuudet käyttää nosturia tai haarukkatrukkia voimassa olevien kansallisten määräysten mukaisesti,
- jotka tuntevat kaikki voimassa olevat kansalliset turvallisuusohjeet ja tapaturmien ehkäisyä koskevat ohjeet
- ja jotka ovat perehtyneet tämän käyttöohjekirjan turvallisuutta ja kuljettamista koskeviin lukuihin ja ymmärtävät niiden sisällön.

## Asennus, varastointi, huolto ja käytöstä poisto

Iskuvasaran asennus-, varastointi-, huolto- ja käytöstäpoistotöitä saavat tehdä vain henkilöt:

- jotka tuntevat kaikki voimassa olevat kansalliset turvallisuusohjeet ja tapaturmien ehkäisyä koskevat ohjeet
- ja jotka ovat perehtyneet turvallisuusohjeisiin ja käyttöohjeisiin ja ymmärtävät niiden sisällön.

### Käyttö

Iskuvasaraa saavat käyttää vain valtuutetut, alustan käytön hallitsevat henkilöt. Valtuutettuja alustan käyttäjiä ovat henkilöt:

- jotka ovat saaneet alustan käyttökoulutuksen voimassa olevien kansallisten määräysten mukaisesti
- jotka tuntevat kaikki voimassa olevat kansalliset turvallisuusohjeet ja tapaturmien ehkäisyä koskevat ohjeet
- ja jotka ovat perehtyneet turvallisuusohjeisiin ja käyttöohjeisiin ja ymmärtävät niiden sisällön.

### Testaus

Iskuvasaraa saavat testata vain ammattitaitoiset teknikot. Teknikoilla on oltava valtuutus käyttää hydraulista järjestelmää voimassa olevien kansallisten määräysten mukaisesti.

### Henkilökohtainen suojaruustus

Käytä aina hyväksytyjä suojaruusteita. Koneen käyttäjän ja muiden työalueella olevien henkilöiden on käytettävä henkilösuojaimia, vähintään:

- suojakypärää
- kuulonsuojaimia
- sivusuojilla varustettuja iskunkestäviä suojaruuseja
- hengityssuojaimia tilanteen sitä edellyttäessä
- suojakäsineitä
- Asianmukaisia turvasaappaita

### Huumeet ja alkoholin tai lääkkeiden käyttö

#### ▲ VAROITUS Huumeet ja alkoholin tai lääkkeiden käyttö

Huumeet, alkoholi tai lääkkeet voivat heikentää arvostelukykysi ja keskittymistäsi. Reagointikyvyn heikkeneminen ja väärät tilannearviot voivat johtaa vakavaan vammautumiseen tai hengenvaaraan.

- ▶ Älä käytä konetta, jos olet väsynyt tai huumeiden, alkoholin tai lääkkeiden vaikutuksen alaisena.
- ▶ Huumeiden, alkoholin tai lääkkeiden vaikutuksen alaisena oleva henkilö ei saa käyttää konetta.

## Alusta, varotoimenpiteet

Ennen kuin alat käyttää tai kuljettaa hydraulisella iskuvasaralla varustettua alustaa, perehdy huolellisesti alustan valmistajan turvamääräyksiin ja käyttöohjeeseen.

Ennen käyttöä on varmistettava, että alustassa on riittävät suojavarusteet, mukaan lukien käyttäjän eteen asennettu suojaverho.

Hydraulisen iskuvasaran saa asentaa vain riittävän painoiseen alustaan.

Jos alustan kuormauskapasiteetti on liian pieni, alusta ei ole riittävän vakaa ja voi jopa kaatua hydraulisen iskuvasaran käytön aikana, mistä seuraa henkilövahinkoja ja laitevaurioita.

## Asennus, varotoimenpiteet

### Hydrauliikkajärjestelmä

#### ▲ VAARA Painekaasua, räjähdysvaara

Paineakku on paineistettuna myös silloin, kun hydrauliikkajärjestelmä on sammutettuna. Jos paineakku irrotetaan ilman että typpikaasu päästetään ensin pois, tilanne voi johtaa vakavaan vammautumiseen tai hengenvaaraan.

- ▶ Täytä paineakku ainoastaan typpikaasulla (N<sub>2</sub>).
- ▶ Vain valtuutettu henkilöstö saa käsitellä paineakkua.

#### ▲ VAROITUS Paineistettua hydrauliöljyä

Ohuena suihkuna ruiskuva paineistettu hydrauliöljy voi tunkeutua ihon alle ja aiheuttaa pysyviä vaurioita.

- ▶ Jos hydrauliöljyä on päässyt ihon alle, on hakeuduttava välittömästi lääkärinhoitoon.
- ▶ Hydrauliöljyn vuotokohtia ei saa koskaan etsiä käsin kokeilemalla.
- ▶ Älä katso mahdollisia vuotokohtia läheltä.

#### ▲ VAROITUS Hydrauliikkaöljy

Läikkynyt hydrauliöljy voi aiheuttaa palovammoja ja liukastumisonnettomuuksia. Lisäksi se on ympäristölle haitallista.

- ▶ Puhdista läikkynyt öljy ja käsittele sitä paikallisten turvallisuus- ja ympäristömääräysten mukaisesti.
- ▶ Iskuvasaraa ei saa missään tapauksessa irrottaa hydrauliöljyn ollessa kuumaa.
- ▶ Älä koskaan johda hydraulisen iskuvasaran kiinnityslaitteiden hydrauliikkaletkuja ohjaamon läpi.

#### ▲ HUOMIO Ihottumavaara

Hydrauliikkaöljy voi aiheuttaa ihottumaa joutuessaan iholle.

- ▶ Älä päästä hydrauliikkaöljyä käsillesi.
- ▶ Käytä aina suojakäsineitä, kun käsittelet hydrauliikkaöljyä.

### Kokoaminen / purkaminen

#### ▲ VAROITUS Liikkuvia osia

Käsien ja sormien puristumisvaara.

- ▶ Älä koskaan tarkista asennuspintojen tai läpikulkukohtien kuntoa käsin tai sormin.
- ▶ Kaikki puomin liikuttamiseen liittyvät toimenpiteet on tehtävä aina yhteistyössä hydraulista iskuvasaraa asentavan henkilöstön kanssa.
- ▶ Jos iskuvasara asennetaan pikaliitännäkytkimeen, sen asianmukainen lukitus on varmistettava ja on eliminointava kaikki vaaratilanteet, joiden johdosta iskuvasara voi irrota kytkimestä.

## Käyttö, varotoimenpiteet

#### ▲ VAARA Räjähdyksivaara

Jos työkalu joutuu kosketuksiin räjähtävien aineiden tai kaasujen kanssa, seurauksena voi olla räjähdys. Tiettyjen materiaalien käsittelyn aikana saattaa ilmetä kipinöintiä ja materiaalin syttymistä. Räjähdykset johtavat vakavaan vammautumiseen tai hengenvaaraan.

- ▶ Älä koskaan käytä konetta räjähdysriskissä ympäristössä.
- ▶ Älä koskaan käytä konetta herkästi syttyvien materiaalien, höyryjen tai pölyn läheisyydessä.
- ▶ Varmista, että lähellä ei ole mitään piileviä kaasunpurkaus- tai räjähdysläheteitä.

#### ▲ VAROITUS Käyttöpaine

Jos iskuvasaran enimmäistyöpaine ylittyy, paineakku voi ylikuormittua, mistä voi aiheutua materiaali- ja henkilövahinkoja.

- ▶ Hydraulista iskuvasaraa on aina käytettävä oikealla työpaineella. Lisätietoja on kohdassa "Tekniset tiedot".

**▲ VAROITUS Kvartsipölyvaarat**

Kallion, betonin, asfaltin ja muiden materiaalien murtamis- ja poraustöissä on vaarana altistuminen kvartsipölylle, mikä aiheuttaa mm. kivipölykeuhkotautia (vakavaa keuhkosairautta), syöpää tai muita hengenvaarallisia keuhkosairauksia. Kvartsia esiintyy suuria määriä kalliossa, hiekassa ja malmeissa.

► SB-iskuvasaroissa on pölynrajoitustoiminto, jolla voidaan vähentää altistumista kvartsille.

**▲ VAROITUS Pölyn aiheuttamat vaaratilanteet**

Koneiden käytön aikana syntyvät tietyt pölyt, huurut tai muut hengitysilmaan kulkeutuvat ainesosat saattavat sisältää kemikaaleja, jotka Kalifornian osavaltion tietojen mukaan aiheuttavat syöpää sekä syntyville lapsille vaurioita tai muita ongelmia. Esimerkkejä tällaisista kemikaaleista:

- Kiteinen kvartsi, sementti ja muut muuraustuotteet.
  - Kemiallisesti käsitellystä kumista erittyvä arseeni ja kromi.
  - Lyijypohjaisista maaleista erittyvä lyijy.
- Pyri välttämään altistuminen tällaisille kemikaaleille työskentelemällä hyvin tuuletetuilla alueilla ja käyttäen hyväksytyjä suojavarusteita, kuten erityisvalmisteisia kasvosuojuksia, joilla suodatetaan hengitysilma mikrokooppisia hiukkasia.

**▲ VAROITUS Sähköisku**

Hydraulista iskuvasaraa ei ole eristetty sähkövirralta. Jos hydraulinen iskuvasara joutuu kosketuksiin sähkövirtapiirien tai muiden virtalähteiden kanssa, tilanne voi aiheuttaa henkilövahingon tai hengenvaarallisia tilanteita.

- Älä koskaan työskentele sähkövirtapiirien tai muiden virtalähteiden välittömässä läheisyydessä.
- Varmista, että työskentelyalueella ei ole piileviä sähkövirtapiirejä.

**▲ VAROITUS Sinkoutuvat esineet**

Murtamistöiden yhteydessä irtoavat kivensirut ja muut palat voivat sinkoutua ympäristöön ja aiheuttaa osuessaan henkilövammoja käyttäjälle tai muille henkilöille. Korkealta putoavat pienetkin esineet voivat aiheuttaa suuria vahinkoja.

- Rajaa työskentelyalue puomein.
- Ennen työn aloittamista on varmistettava, että hydraulisen iskuvasaran vaara-alueella (20 metrin säteellä vaaka- että pystysuunnassa) ei ole ketään muita henkilöitä.
- Katkaise hydraulisen iskuvasaran virta välittömästi, jos havaitset vaara-alueella henkilöitä.

**▲ VAROITUS Meluvaarat**

Korkeat äänitasot voivat johtaa pysyvään kuulon menetykseen.

- Käytä työsuojelumääräysten mukaisia kuulosuojaimia.

**Varastointi, varotoimenpiteet****▲ VAROITUS Hydraulinen iskuvasara ja terätyökalu ovat painavia**

- Säilytä hydraulinen iskuvasara ja terätyökalu siten, että niiden kaatuminen tai kierähtäminen kumoon ei ole mahdollista.

**Huolto, varotoimenpiteet****▲ VAROITUS Tahaton käynnistäminen**

Hydraulisen iskuvasaran tahaton käynnistäminen voi johtaa vakaviin vammautumisiin.

- Estä hydraulisen iskuvasaran tahaton käynnistäminen noudattamalla alustan käyttöoppaassa olevia ohjeita.
- Hydraulisen iskuvasaran käynnistyspiiri on asennettava siten, että tahaton käynnistäminen ei ole mahdollista.
- Alustan poljin on varustettava suojuksella.

**▲ VAROITUS Paineistettu hydraulikkajärjestelmä**

Paineistetun hydraulisen iskuvasaran huoltotyöt voivat johtaa vakaviin vammautumisiin. Liitännät voivat irtautua äkillisesti, osat voivat liikkua yhtäkkiä ja hydraulioiljy voi ruiskua ulos.

- Päästä hydraulikkajärjestelmän paine pois, ennen kuin alat tehdä hydraulisen iskuvasaran tai alustan huoltotöitä.

**▲ VAROITUS Koneen muutostyöt**

Jos koneeseen tehdään muutostöitä, seurauksena saattaa olla vakavia vammoja sekä itsellesi että muille.

- Älä koskaan tee koneeseen muutostöitä.
- Käytä aina alkuperäisvaraosia ja Atlas Copcon hyväksymiä lisävarusteita.

**▲ HUOMIO Kuuma työkalu**

Työkalun kärki kuumenee käytön aikana. Sen koskettaminen voi aiheuttaa palovammoja.

- Älä koskaan kosketa kuumaa työkalua.
- Ennen huoltotöiden aloittamista odota, kunnes työkalu on jäähtynyt.



## Yleistä

Ennen kuin alat käyttää konetta, perehdy oppaan edellisillä sivuilla olevaan, turvallisuusohjeita käsittelevään kohtaan. Turvallisuusohjeita noudattamalla vältetään vakavilta vammautumisilta ja hengenvaaralta.

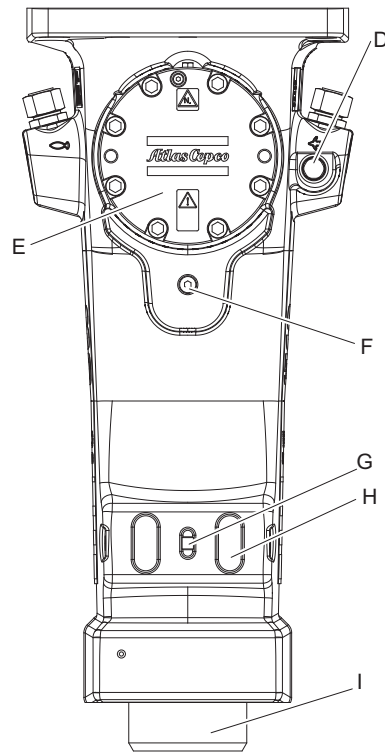
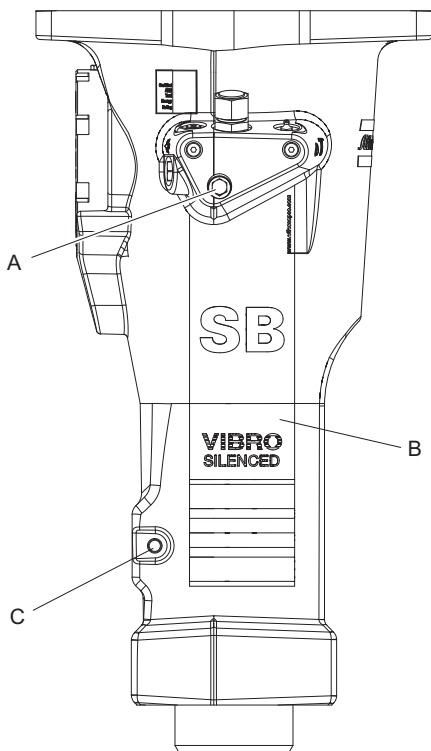
## Rakenne ja toiminta

SB-sarja sisältää kaikenlaisiin purkutöihin soveltuvia, kuljetusalustalle asennettavia hydraulisia iskuvasaroita.

SB on lyhenne sanoista Solid Body, ts. iskuvasaran runko on tehty yhdestä kappaleesta. Paineakku on kiinteä osa runkoa.

Hydraulista iskuvasaraa käytetään alustan ohjaamosta alustan hydraulikkajärjestelmän avulla. Iskuvasaran iskutaajuutta säädetään alustasta ohjattavalla öljyvirtauksella.

## Tärkeimmät osat

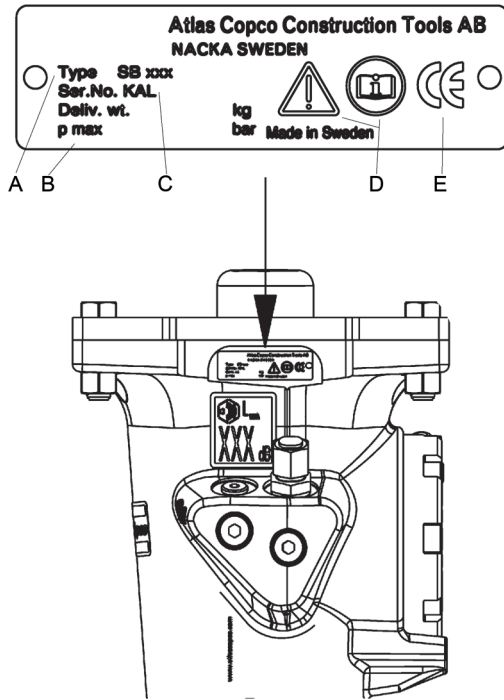


- A. Rajoitin
- B. Vasaran runko
- C. Lukkotappi
- D. Paineenrajoitusventtiili
- E. Akku
- F. Öljyntyhjennystulppa
- G. Lukon iskunvaimennin
- H. Työkalunpidike
- I. Holkki

## Kilvet ja tarrat

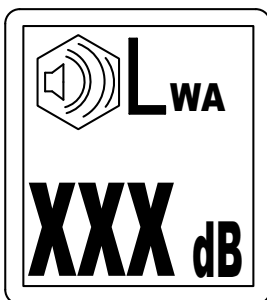
Tässä koneessa on käyttöturvallisuuden kannalta tärkeät turva- ja huoltotarrat sekä -kilvet. Tarrojen ja kilpien on oltava aina luettavissa. Uusia tarroja ja kilpiä voi tilata varaosaluettelon avulla.

## Tietolevy



- A. Konetyyppi
- B. Suurin sallittu hydraulinen paine
- C. Sarjanumero
- D. Varoitussymboli ja kirjasynti tarkoittavat, että käyttäjän on perehdyttävä turvallisuusohjeisiin ja käyttöohjeeseen ennen koneen ensimmäistä käyttökertaa.
- E. CE-merkki tarkoittaa, että kone on saanut CE-hyväksynnän. Lisätietoja on koneen mukana toimitettavassa CE-vaatimustenmukaisuusvakuutuksessa.

## Melutaso



Tarra ilmoittaa EY-direktiivin 2000/14/EY mukaisen taatun enimmäismelutasoin. Tarkat tiedot melutasosta ovat kohdassa "Tekniset tiedot".

## Paineakun kilvet



Perehdy huolellisesti kunnostusohjeisiin ennen laitteen huolto- tai vaihtotyötä.



Paineakkuun saa ladata vain tyypeä.

**HUOM!** Vain valtuutettu henkilöstö saa käsitellä paineakkua.

## Kuljetus

## Hydraulisen iskuvasaran nostaminen

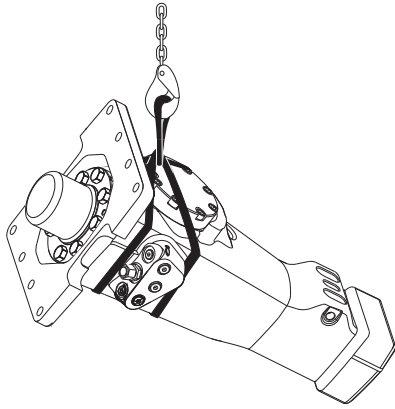
**▲ VAROITUS** Putoava iskuvasara voi aiheuttaa henkilövahinkoja

- Aseta iskuvasara turvalliseen asentoon siten, että se ei pääse kaatumaan ja aiheuttamaan vahinkoa.

On varmistettava huolellisesti, että alusta on riittävän vakaa hydraulisen iskuvasaran kuljettamiseen, huoltotöihin tai muihin koneella tehtäviin töihin.

Hydraulinen iskuvasara toimitetaan laatikossa.

Hydraulinen iskuvasara nostetaan laatikosta turvallisesti asettamalla nostohihna alla olevassa kuvassa näkyvällä tavalla.



## Asennus

Ennen kuin alat asentaa hydraulista iskuvasaraa alustalle tai käyttää sitä, perehdy huolellisesti alustan valmistajan turvamääräyksiin ja käyttöohjeeseen. Noudata kaikkia ohjeita.

Alustassa on oltava asianmukainen, iskuvasaran käyttämiseen soveltuva hydraulikkajärjestelmä.

Jos alusta on liian iso hydrauliselle iskuvasaralle, seurauksena saattaa olla terätyökalujen rikkoutuminen ja kulumien lisääntyminen. Lisätietoja sopivan alustan valinnasta on kohdassa "Tekniset tiedot".

Ennen kuin hydraulikkajärjestelmä otetaan käyttöön, sen turvalaitteisto on tarkistutettava laadun (EC-merkintä jne.), soveltuvuuden ja toiminnallisuuden kannalta ammattitaitoisella/valtuutetulla vastuuhenkilöllä.

## Letkut ja liitännät

### ▲ VAROITUS Ympäristöä piiskaava hydrauliletku

Paineen alaiset hydrauliletkut voivat piiskata ympäristöä hallitsemattomasti, jos kiinnitysruuvit löystyvät tai ne löysennetään. Ympäristöä piiskaava hydrauliletku voi aiheuttaa vakavia vammoja.

- ▶ Päästä hydraulijärjestelmän paine pois, ennen kuin avaat hydrauliletkun liitännän.
- ▶ Kiristä hydrauliletkujen kiinnitysmutterit tarvittavaan momenttiin.

Letkukaran tyyppi: Vakiotyyppinen Atlas Copco ORFS -letkukara. Letkukaramitat ovat varaosaluetteloissa.

Iskuvasaran ja alustan välisten hydrauliletkujen laatuluokituksen tulee täyttää vähintään 2SC (EN 857) -vaatimukset. Pikaliittimiä käytettäessä suosittelemme "Flat Face" -pikaliittimiä. Ne ovat tukevarakenteisia ja helppo puhdistaa. Pikaliittimien paineluokituksen on vastattava alustan työpainetta.

Puhdista pikaliittimet aina ennen asennusta ja irrotusta. Sulje irrotetut letkut ja avatut letkukarat aina puhtailla ja tiukoilla tulpilla.

### Letkuliitokset

#### Oikealla (käyttäjän istuimelta katsoen)

	Ilmahuuhdeltu	Keskusvoitelu	Säiliö, paluulinja
Symboli			
SB 52	G 1/4"	G 1/4"	G 3/8"
SB 102	G 1/4"	G 1/4"	G 1/2"
SB 152	G 1/4"	G 1/4"	G 1/2"
SB 202	G 1/4"	G 1/4"	G 1/2"
SB 302	G 1/4"	G 1/4"	G 3/4"
SB 452	G 1/4"	G 1/4"	G 3/4"
SB 552	G 1/4"	G 1/4"	G 1"

### Letkuliitokset

#### Vasemmalla (käyttäjän istuimelta katsoen)

	Vesi	Iskuvasaran paineliitäntä	ContiLube®:n paineliitäntä
Symboli			
SB 52	-	G 3/8"	G 1/4"
SB 102	-	G 1/2"	G 1/4"
SB 152	G 1/4"	G 1/2"	G 1/4"
SB 202	G 1/4"	G 1/2"	G 1/4"
SB 302	G 1/4"	G 3/4"	G 1/4"
SB 452	G 1/4"	G 3/4"	G 1/4"
SB 552	G 1/4"	G 1"	G 1/4"

### Paine- ja paluuletken kiristysmomentti

SB 52	60 Nm
SB 102	150 Nm
SB 152	150 Nm
SB 202	150 Nm
SB 302	210 Nm
SB 452	210 Nm
SB 552	300 Nm

## Hydrauliöljy

Tavallisesti alustassa käytettävä hydrauliöljy sopii myös hydrauliseen iskuvasaraan.

Hydraulisen iskuvasaran ollessa kytkettynä alustan hydrauliöljy likaantuu nopeammin. Ota selville alustan öljyn ja suodattimen vaihtovälit ja noudata niitä. Tavallisesti öljynsuodattimen vaihtovälit ovat lyhyempiä, kun hydraulinen iskuvasara on asennettuna.

Hydraulisissa SB-iskuvasaroissa on öljyntyhjennystulppa, josta öljyn voi valuttaa pois ennen iskuvasaran irrottamista. Näin voidaan välttää öljyn läikkyminen.

**HUOM!** Kun SB-iskuvasara toimitetaan asiakkaalle, laitteessa on jonkin verran mineraalipohjaista hydraulioöljyä. Ennen kuin iskuvasara kytetään alustan hydraulikkajärjestelmään, tarkista, minkä tyyppistä hydraulioöljyä alustassa käytetään. Erityyppisten hydraulioöljyjen sekoittaminen keskenään voi tuhota voiteluominaisuudet, minkä seurauksena kone voi vaurioitua.

## Osa

### ▲ VAROITUS Putoava iskuvasara voi aiheuttaa henkilövahinkoja

- Aseta iskuvasara turvalliseen asentoon siten, että se ei pääse kaatumaan ja aiheuttamaan vahinkoa.

Anna hydraulioöljyn kiertää järjestelmässä ennen hydraulisen iskuvasaran liittämistä. Näin voidaan varmistaa, että hydraulioöljy on puhdasta. Käytä samaa rutiinimenettelyä kuin hydraulioöljyletkun vaihtotyössä. Lisätietoja on kohdassa "Hydraulioöljy".

1. Kytke paine- ja paluuletku.

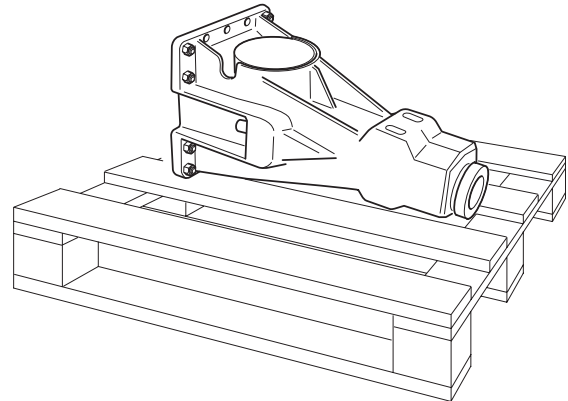


2. Käytä alustan moottoria noin kolmen minuutin ajan, jolloin hydraulioöljy kiertää suodattimen läpi. Näin voidaan varmistaa, että letkut ovat puhtaat.

### Valmistelu

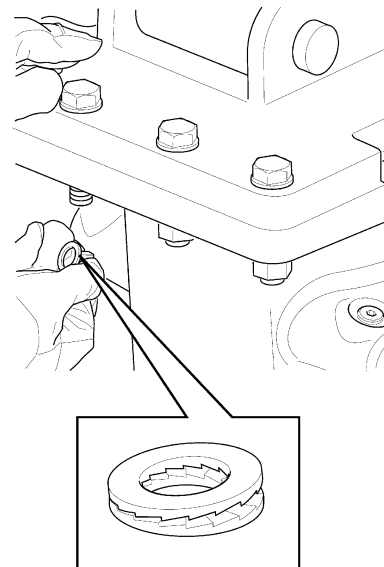
1. Aseta iskuvasara asentoon, josta se voidaan asentaa sovitinlevyyn helposti ja turvallisesti.

**HUOM!** Iskuvasara on asennettava siten, että paineakku on käyttäjän ohjaamo päin. Näin voidaan välttää paineakun vaurioituminen.



### Sovitinlevyn asentaminen

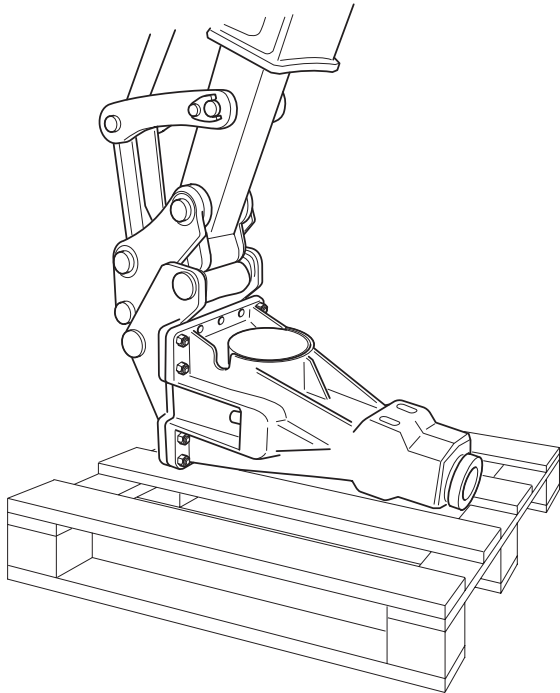
2. Jos Atlas Copcon "Tough lock" -lukitusruuvia ei ole saatavana, suosittelemme NORD LOCK™ -aluslevyjen käyttöä pultin ja mutterin alla (NORD-LOCK™ on Nord-Lock AB:n rekisteröity tavaramerkki Yhdysvalloissa ja/tai muissa maissa.).



Sovitinlevy	Kiristysmomentti
SB 52	290 Nm
SB 102	200 Nm
SB 152	200 Nm
SB 202	200 Nm
SB 302	170 Nm
SB 452	400 Nm
SB 552	400 Nm

*Iskuvasaran kytkeminen alustaan*

3. Sijoita iskuvasara turvalliseen asentoon asennusta varten.



Ollessasi paineakkuun päin hydraulisen iskuvasaran tulopaineen liitäntä on vasemmalla puolella. Jos paineletku on kauhan varren toisella puolella, voit asettaa letkut ristiin tai kääntää hydraulista iskuvasaraa.

4. Laske puomivarsi varovasti sovittimeen.

**▲ VAROITUS Liikkuvat osat voivat puristaa ja leikata kehoa**

- Älä koskaan tarkista asennuspintojen tai läpikulkukohtien kuntoa käsin tai sormin.

Asennuksessa tarvitaan avustajaa, joka ohjaa puomivarren liikettä, kunnes varren asennuspinnat ovat samassa tasossa sovittimen asennuspintojen kanssa.

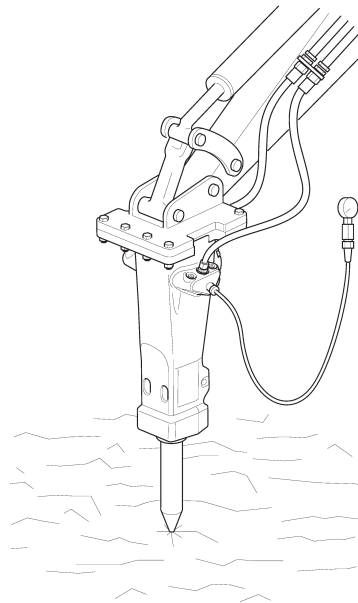
Sovi apumiehen kanssa selkeistä käsimerkeistä, joita asennusvaiheessa käytetään.

5. Työnnä tappi ja lukko paikalleen.
6. Nosta iskuvasaraa puomilla.
7. Pidennä kauhan sylinteriä, kunnes kytkimen asennuspinta on samassa tasossa sovittimen asennuspintojen kanssa. Työnnä kytkimen tappi ja lukko paikalleen.
8. Asennettuasi iskuvasaran pidennä varovasti kauhan sylinteri ääriasentoonsa ja vedä se sitten täysin sisään. On erittäin tärkeää, että sylinterin voi työntää ulos ja vetää sisään koko mitaltaan esteettä.

## Paineensäätö

SB-iskuvasaroissa on varoventtiili, jolla varmistetaan iskuvasaran toiminta. Hydraulisen iskuvasaran käyttöpaine (enintään 150 baria) tarkistetaan ja säädetään painemittarilla iskuvasaran käytön yhteydessä.

- Jos käyttöpaine on yli 150 baria, painetta on alennettava. Alenna alustasta tulevaa öljyvirtausta, kunnes paine on laskenut 150 bariin. Tämä säätö on tärkeä, koska sillä varmistetaan, että iskuvasaran varoventtiili ei avaudu. Tällöin öljyä pääsisi vuotamaan takaisin säiliöön aiheuttaen kuumenemisiongelmiä.
- Jos käyttöpaine on 130–150 baria, tavallisesti säätöä ei tarvita.
- Jos alustan öljyvirtaus on liian alhainen hyväksyttävän käyttöpaineen säilyttämiseksi, iskuvasarassa oleva rajoitin on vaihdettava. Lisätietoja sopivimman tapauskohtaisen rajoittimen valinnasta on kohdan "Tekniset tiedot" kaavioissa.



Aseta hydraulinen iskuvasara kohtisuoraan kallioon tai vastaavaan pintaan nähden, jotta paineen voi säätää painemittarilla.

## Vesihuuhdeltu

Iskuvasarassa on vesihuuhdeltavuomius. Toiminto sitoo purkutöissä syntyvää pölyä.

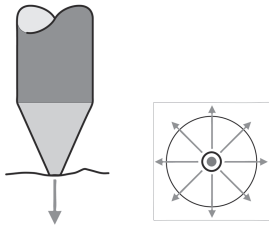
Kun vesihuuhdeltuletku liitetään, iskuvasaran etuosassa oleva tulppa on vaihdettava vesisuuttimiksi. Lisätietoja uuden vesisuuttimen tilaamisesta on varaosaluetteloissa.

Vesiletkuna käytetään JIC-liitännällä varustettua ¼" hydrauliletkua. Vedenkulutus on 4 barin paineella 6,6 l/min. Lisäohjeita saa lähimmältä valtuutetulta huoltokorjaamolta.

## Työkalu

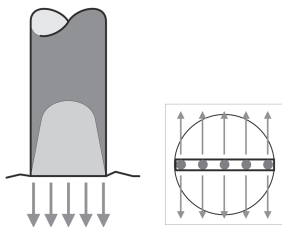
### Oikean työkalun valinta

#### Kartiokärki



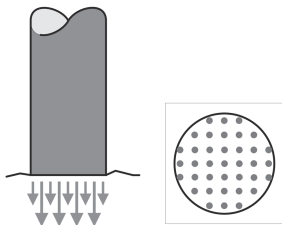
- Oikein hyvä tunkeutumiskyky
- Tavanmukainen kiilauskyky
- Ei vääntövaikutusta

#### Taltat ja lapioterät



- Erittäin hyvä kiilauskyky
- Hyvä tunkeutumiskyky
- Vääntövaikutus

#### Tylppäkärki



- Oikein hyvä iskunkohdistusvaikutus
- Optimaalinen murtokyky
- Ei vääntövaikutusta

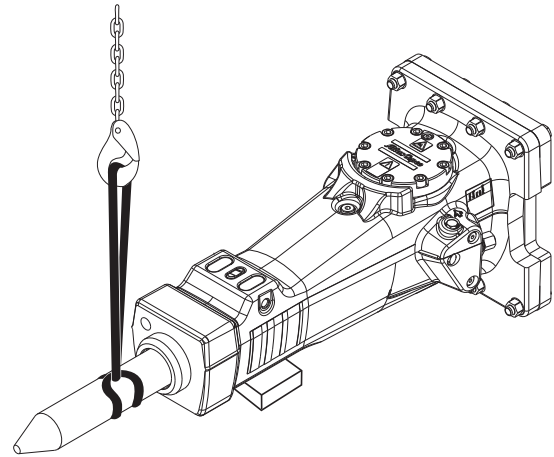
### Työkalun asennus ja irrotus

#### ▲ VAROITUS Käynnissä oleva kone

Käynnissä olevan alustan työkalun vaihtamisyritys voi johtaa vakavaan vammautumiseen.

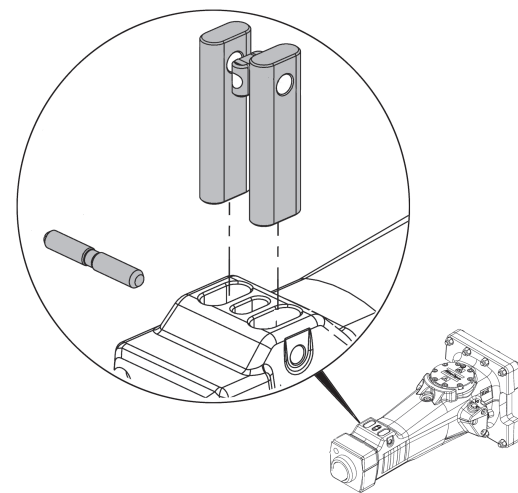
- Varmista, että alustaa ei voi käynnistää tahattomasti.

1. Alustan moottori on aina sammutettava ennen työkalun vaihtamista.
2. Vältä kehon osien mahdollinen murskaantuminen asentamalla ja irrottamalla työkalu nostohihnan avulla.



Osa työkaluista on painavia, ja siksi työkalu on nostettava paikaltaan turvallisella tavalla.

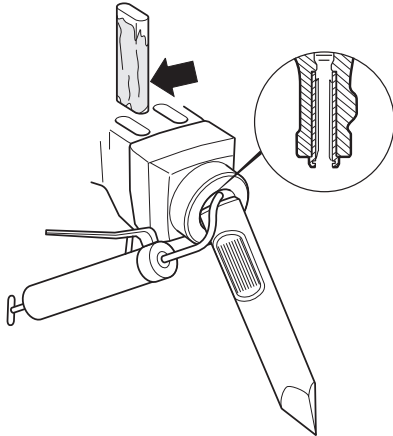
3. Tarkista, että lukon iskunvaimennin ei ole kulunut tai vaurioitunut.



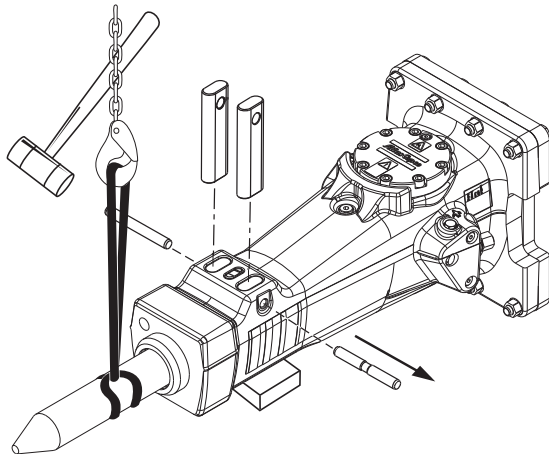
Työkalupitimen lukossa oleva lukon iskunvaimennin on tehty muovista, ja se voi sulaa kuumassa työympäristössä. Jos näin käy, vaihda tilalle vakiomallinen lukitustappi. Tähän sopivan jousitapin voi valita varaosaluettelosta.



4. Puhdista ja voitele holkki runsaalla määrällä voiteluainetta. Tämä on erityisen tärkeää asennettaessa uutta työkalua.



5. Asenna työkalu.  
6. Pyöritä työkalua, jotta rasva leviää tasaisesti joka puolelle.  
7. Asenna työkalun pidikkeet yksi kerrallaan.  
8. Työnnä lukitustappia sisään, kunnes lukon iskunvaimennin kiinnittyy lukitustapin uraan.



Työkalu irrotetaan asennusohjeeseen nähden päinvastaisessa järjestyksessä.

## Toimenpide

**HUOM!** Hydraulista iskuvasaraa tai terätyökalua ei saa käyttää nostolaitteena. Raskaiden esineiden nostamiseen on käytettävä alustan puomia.

## Toimenpiteet ennen työn aloitusta

### Käyttölämpötilat

Hydraulisen iskuvasaran käyttölämpötila on -20 – +80 °C.

### ▲ HUOMIO Lämpötilavaarat

Hydraulinen iskuvasara ja alustan hydraulikkaöljyjärjestelmä voivat vaurioitua, jos iskuvasaraa käytetään mainitun lämpötila-alueen ulkopuolella.

- ▶ Käynnistä hydraulinen iskuvasara vasta sitten, kun hydraulioöljy on saavuttanut sille tarkoitetun käyttölämpötilan.
- ▶ Jos ulkolämpötila on alle -20 °C, hydraulista iskuvasaraa ja terätyökalua on lämmitettävä ennen käyttöä.
- ▶ Jos öljyn lämpötila ylittää +80 °C, hydraulista iskuvasaraa ei saa käyttää, koska öljyn laatuluokitus ei tällöin riitä ja vastaavasti tiivisteiden ja O-renkaiden kestoikä lyhenee merkittävästi.

### Moottorin käyntinopeus

Liian korkea moottorin käyntinopeus johtaa vain lisääntyneeseen polttonesteen kulutukseen ja öljyn lämpötilan nousuun. Pidä moottorin käyntinopeus suositellussa arvossa, jotta öljyn virtaus pysyy oikeana.

## Käyttö

### Murtaminen

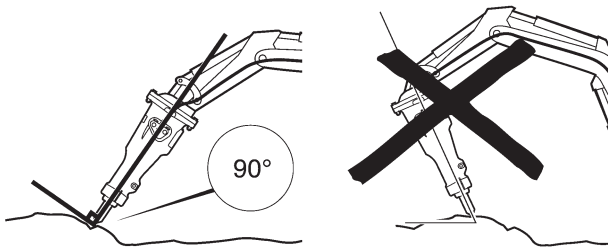
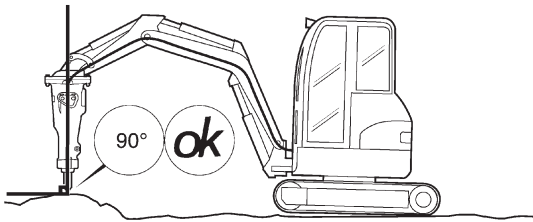
#### ▲ HUOMIO Koneen tai työkalun vaarallisia käyttötilanteita

Jatkuva käyttö sylintereiden ollessa täysin ulos työnnettynä tai sisäänvedettynä voi vaurioittaa hydraulisyntereitä.

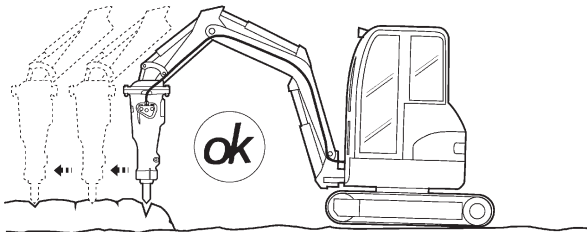
- ▶ Vältä iskuvasaran käyttöä, kun sylinterit ovat täysin sisällä tai täysin ulkona.
- ▶ Vaihda alustan ja/tai puomin asentoa, jotta sylinterit eivät ole täysin sisällä tai täysin ulkona.
- ▶ Keskity työhön, jota teet.

Hydraulisen iskuvasaran saa käynnistää vasta sitten, kun sekä alusta että iskuvasara ovat oikeassa työskentelyasennossa.

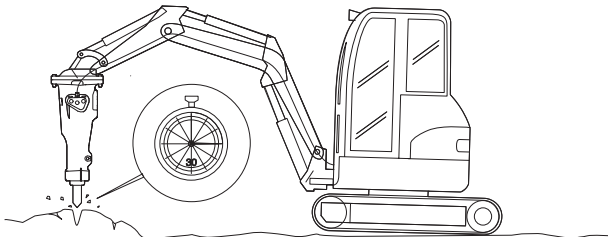
- ◆ Kohdista hydraulinen iskuvasara 90° kulmassa kohteeseen nähden.



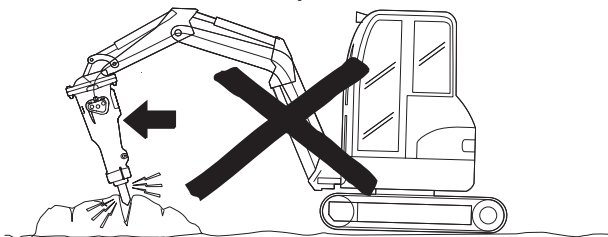
- ◆ Aloita työ läheltä reunaa ja etene keskelle päin. Älä koskaan aloita suurten kohteiden keskeltä.



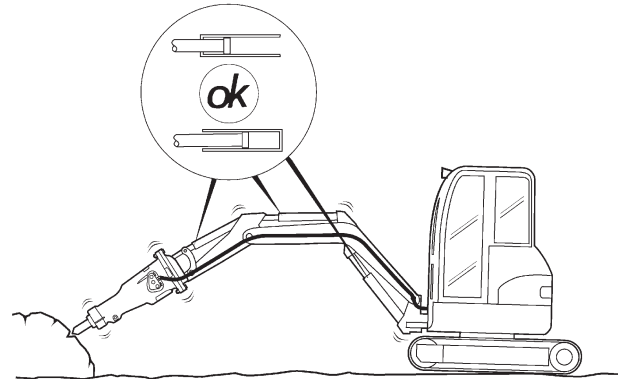
- ◆ Työstä samaa kohtaa hydraulisella iskuvasaralla enintään 15 sekuntia. Jos kohde ei muru, siirrä terätyökalu uuteen kohtaan.



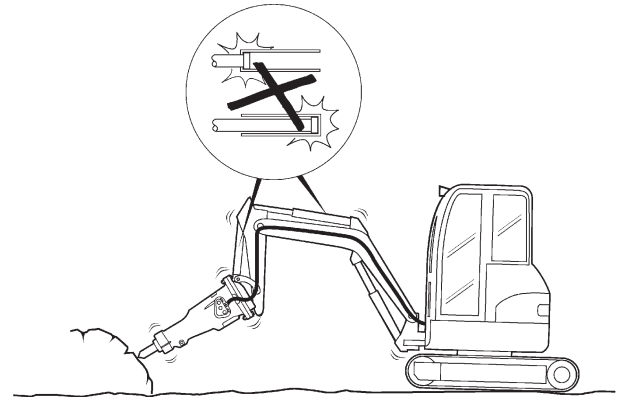
- ◆ Älä koskaan taivuta terätyökalua.



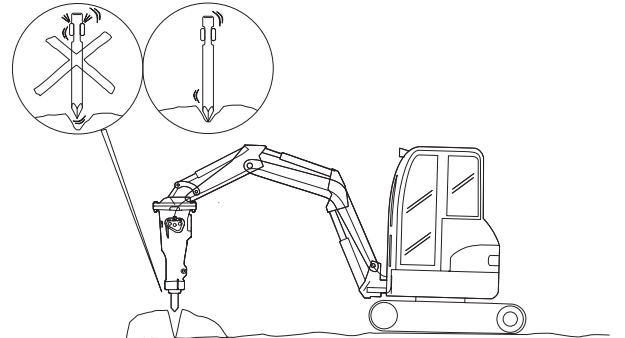
- ◆ Käytä oikeata syöttöpainetta. Kun syöttöpaine on oikea, hydraulinen iskuvasara toimii parhaalla mahdollisella teholla ja värinä on pienintä. Lisäksi holkki ja työkalu kuluvat tällöin vähiten.



- ◆ Kuuntele iskuvasarasta kuuluvia ääniä. Ääni muuttuu, jos työkalun ja holkin välillä on taipumaa.
- ◆ Älä koskaan käytä iskuvasaraa, kun puomin sylinterit ovat ääri-asennoissaan. Se saattaa aiheuttaa vaurioita alustalle.



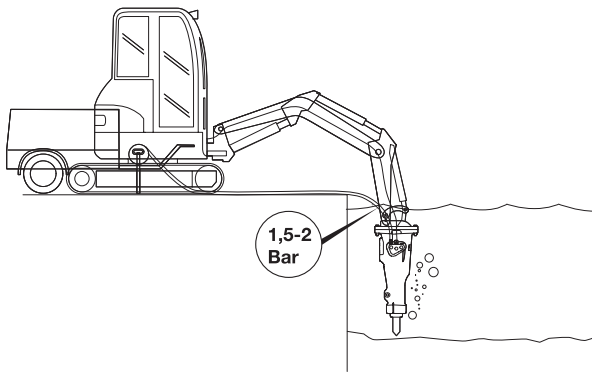
- ◆ Vältä iskemistä tai terän pitämistä kohteessa joutokäynnillä; se johtaa sekä terätyökalun että työkalupidikkeiden kulumiseen.



### Murtaminen veden alla

Hydrauliset iskuvasarat sopivat vedenpinnan alla tehtävään työhön.





Kun työkohde on veden alla, hydrauliseen iskuvasaraan on johdettava paineilmaa, jotta männän ja terätyökalun väliselle alueelle ei pääse vettä. Jos männän ja terätyökalun väliselle alueelle pääsee vettä, sitä voi päästä myös hydraulioiljyjärjestelmään, kun hydraulinen iskuvasara käynnistetään.

Ilmanpaineen on oltava iskuvasaran ilmanottoaukon kohdalla 1,5–2 baria. Ilmankulutustiedot esitetään kohdassa "Tekniset tiedot". Sopiva ilmaletku on JIC-liitännällä varustettu on ¼" hydrauliletku. Lisäohjeita saa lähimmältä valtuutetulta huoltokorjaamolta.

## Huolto

On erittäin tärkeää, että iskuvasara huolletaan säännöllisesti. Siten sen teho säilyy aina parhaana mahdollisena.

Riittämättömästi huollettu laitteisto voi olla vaarallinen sekä käyttäjälle että iskuvasaran lähellä oleville henkilöille. Laitteiston käyttökuntauisuuden ja -turvallisuuden varmistamiseksi huollot ja kunnossapitotyöt on tehtävä säännöllisesti.

## Kahden tunnin välein

Voitele terätyökalu, työkalupidikkeet ja holkit säännöllisesti Atlas Copco Tool -talttatahnalla.

### Voitelu rasvauspuristimella

**▲ VAROITUS** Terätyökalu on kuuma käytön aikana ja vielä jonkin aikaa käytön jälkeen.

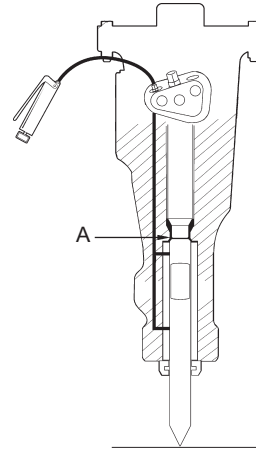
► Vältä koskemasta terätyökaluun.

### ▲ HUOMIO Ihottumavaara

Voiteluaine voi aiheuttaa ihottumaa joutuessaan iholle.

► Älä päästä voiteluainetta käsillesi.

1. Työnnä työkalu täysin ääriasentoonsa (A) iskuvasaran sisään. Muussa tapauksessa työkalun yläosan ja iskuvasaran välinen tila täyttyy rasvalla.



2. Voitele terätyökalun varsi runsaalla rasvalla kaikissa ylöspäin suuntautuvissa töissä. Holkki ja terätyökalu on rasvattava riittävän usein, jotta likaa ei pääse hydraulisen iskuvasaran sisään.

Kun työkalun varteen kohdistuu kova paine ja korkea lämpötila, vakiotyyppinen rasva sulaa ja valuu pois. Tästä syystä on aina käytettävä Atlas Copco Tool -talttatahnaa.

### Keskusvoitelujärjestelmä

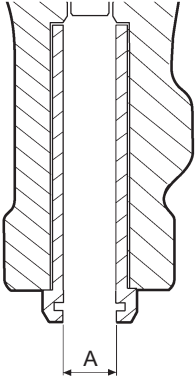
Suosittellemme Atlas Copcon keskusvoitelujärjestelmän käyttämistä. Kun tämä järjestelmä asennetaan alustaan, iskuvasaran alkaessa käydä toiminto pumppaa kohteisiin jatkuvasti rasvaa alustassa tai iskuvasarassa olevasta voiteluainesäiliöstä. Tämä lisää työkaluholkkien ja terätyökalujen käyttöikää huomattavasti.

## Päivittäin

1. Tarkasta työkalupidikkeet ja lukitustappi.
2. Tarkasta, että letkut, liittimet ja paineakku ovat hyvässä kunnossa.
3. Tarkasta, että pultit ja liitokset ehjiä ja oikeassa tiukkuudessa. Kiristysmomentit esitetään varaosaluettelossa.
4. Täytä keskusvoitelujärjestelmä.

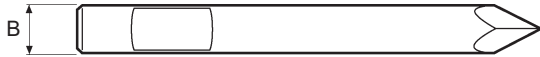
## Viikoittain

1. Puhdista hydraulinen iskuvasara huolellisesti.
2. Tarkasta työkalun holkin kuluneisuus ja sisäpuolisen kulumisen enimmäisrajat (B).



Työkalun holkki on uusittava, kun sisähalkaisija (A) on saavuttanut kulumisen enimmäisrajan, katso "Kulumisrajat" ja "Terätyökalun holkin uusinta".

3. Tarkasta terätyökalun kuluneisuus (C).



Terätyökalu on uusittava, kun ulkohalkaisija (B) on saavuttanut kulumisen vähimmäisrajan. Lisätietoja on kohdassa "Kulumisrajat".

Jos vällys pääsee liian suureksi, terätyökalu voi rikkoutua ja mäntä voi vaurioitua.

4. Tarkasta iskuvasaran runko ja sovitinlevy murtumien ja kulumien varalta.
5. Tarkasta, että paineakun kiinnitysruuvit ovat kunnolla kiinni. Kiristysmomentit esitetään varaosaluettelossa.

Terätyökalua ei saa koskaan teroittaa takomalla. Teroittamisen saa tehdä ainoastaan jyrsimällä, hiomalla tai sorvaamalla.

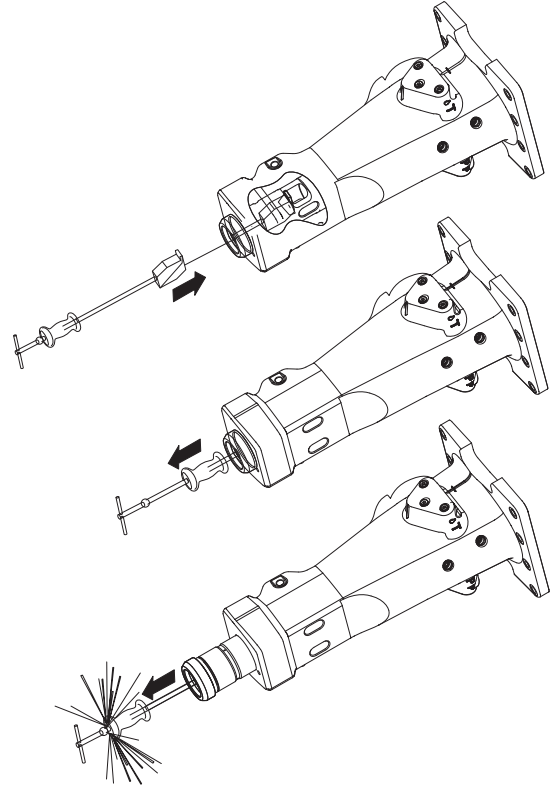
### Kulumisrajat

	B mm (in.)	C mm (in.)
SB 52	42 (1,6)	38 (1,5)
SB 102	47 (1,8)	43 (1,7)
SB 152	52 (2,0)	48 (1,9)
SB 202	68 (2,7)	63 (2,5)
SB 302	83 (3,3)	78 (3,1)
SB 452	98 (3,85)	92 (3,6)
SB 552	103 (4,1)	97 (3,8)

### Terätyökalun holkin uusinta

Terätyökalun holkki on pidettävä paikallaan työkalupidikkeillä. Uusi holkki on liukuasennusmallinen.

1. Jos kulunut holkki on juuttunut, irrota se liukuvasaralla.



2. Puhdista putki ja holkin istukan alue huolellisesti.
3. Asenna uudet O-renkaat ja voitele ja asenna holkki.
4. Asenna holkki paikalleen lyömällä sitä muovisella moukarilla.
5. Pidä holkki paikallaan työkalupidikkeillä.
6. Asenna uusi kaavinrenkas.

## Vuosittain

Laitteisto on kunnostettava yhden vuoden jatkuvan käytön jälkeen. Turvallisuussyistä kunnostaminen on tehtävä lähimmässä valtuutetussa Atlas Copcon huoltokorjaamossa tai muussa Atlas Copcon valtuuttamassa huoltokorjaamossa.

## Varastointi

### **▲ VAROITUS** Putoava iskuvasara voi aiheuttaa henkilövahinkoja

- ▶ Aseta iskuvasara turvalliseen asentoon siten, että se ei pääse kaatumaan ja aiheuttamaan vahinkoa.

Jos hydraulista iskuvasaraa ei käytetä pitkään aikaan, se on suojattava korroosiolta huoltamalla seuraavat kohteet:

1. Puhdista hydraulinen iskuvasara huolellisesti.
2. Irrota terätyökalu ja voitele männän etuosa, holkki ja työkalupidikkeen lukko rasvalla.
3. Säilytä hydraulinen iskuvasara kuivassa paikassa.

## Käytöstä poistettava kone

Käytetty kone käsitellään ja romutetaan siten, että mahdollisimman suuri määrä materiaalista voidaan kierrättää ja ympäristöhaitat pidetään mahdollisimman pieninä.

Ennen kuin käytetty kone romutetaan, siitä on poistettava kaikki hydraulioöljy ja öljyä sisältävät kohteet on puhdistettava. Jäljellä oleva hydraulioöljy on toimitettava asianmukaiseen koontipaikkaan ja ympäristöhaitat on pidettävä mahdollisimman pieninä.

## Tekniset tiedot

### Koneen tiedot

	SB 52	SB 102	SB 152	SB 202	SB 302	SB 452	SB 552
Tilausnumero	8460 0300 10	8460 0300 30	8460 0300 40	8460 0300 50	8460 0300 60	8460 0300 70	8460 0300 80
Työpaino (kg)	55	87	140	201	310	441	521
Toimituspaino (kg)	44	68	110	154	224	321	390
Työkaluvarren halkaisija (mm)	40	45	50	65	80	95	100

### Kapasiteetit

	SB 52	SB 102	SB 152	SB 202	SB 302	SB 452	SB 552
Sopivat alustan min–maks. tonnit	0.7–1.1	1.1–3.0	1.9–4.5	2.5–6.0	4.5–9	6.5–13	9–15
Öljyvirtaus (l/min)	15–32	16–35	25–45	35–66	50–80	55–100	65–115
Iskunopeus (iskua/min)	960–2160	720–2280	840–1920	840–1800	600–1380	540–1260	660–1140
Käyttöpaine (bar)	100–150	100–150	100–150	100–150	100–150	100–150	100–150
Vastapaineen sieto (bar)	25	18	25	25	26	21	18
Paineakun paine (bar)	40	40	40	40	40	40	40
Varoventtiili (bar)	170	170	170	170	170	180	170
Vedenpaine (bar)	-	-	4	4	4	4	4
Vedenkulutus (l/min)	-	-	≤5	≤5	≤9	≤9	≤9
Ilmanpaine (bar)	2	2	2	2	2	2	2
Ilmavirtaus (l/min)	≤730	≤730	≤730	≤730	≤730	≤730	≤730

### Meluarvot

	SB 52	SB 102	SB 152	SB 202	SB 302	SB 452	SB 552
Äänenpaine <sup>1</sup> dB(A)	89	87	86	90	91	94	98
Ääniteho <sup>2</sup> dB(A)	117	115	114	118	119	122	126

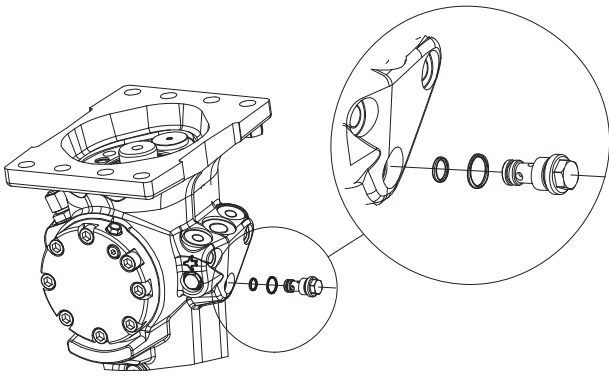
<sup>1</sup> Äänenpainetaso täyttää EN ISO 3744 -standardin ja 2000/14/EY-direktiivin määräykset 10 metrin etäisyydellä.

<sup>2</sup> Taattu enimmäisääniteho täyttää EN ISO 3744 -standardin ja 2000/14/EY-direktiivin vaatimukset mukaan lukien äänen hajonta tuotantotyössä.

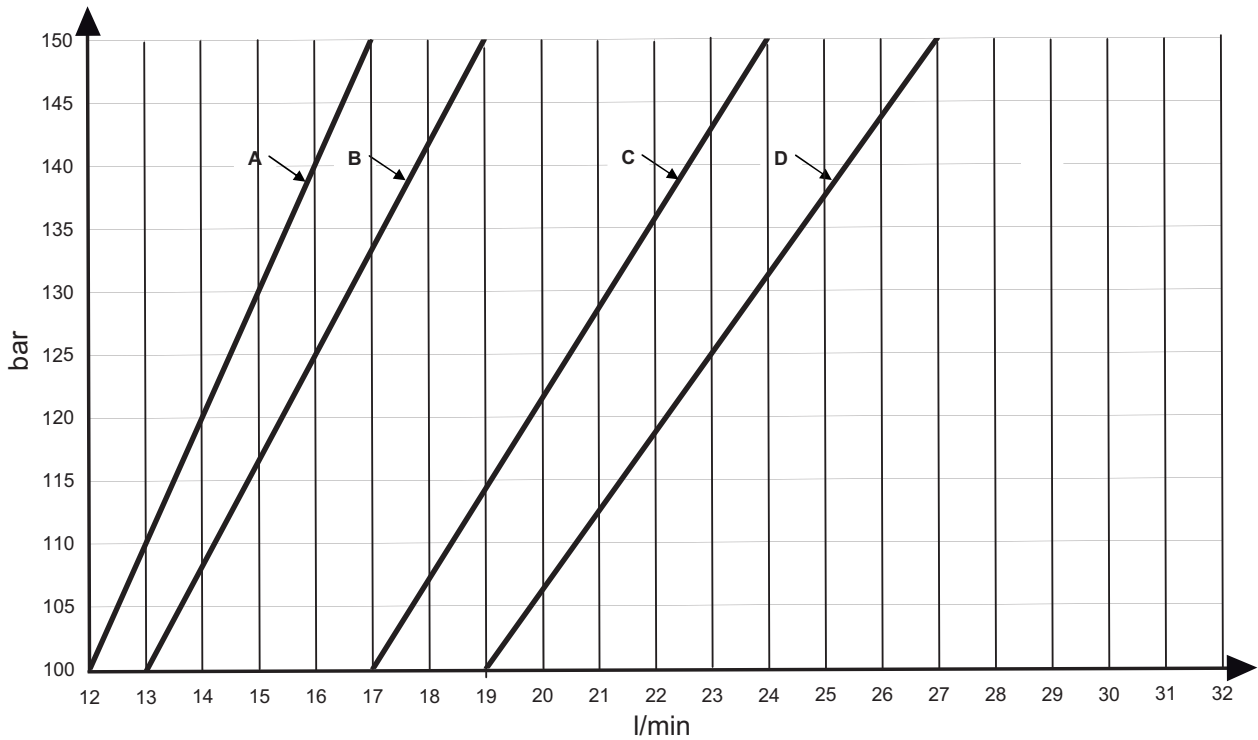
### Oikean käyttöpaineen prosessikaaviot

Alustan öljyvirtausta voidaan rajoittaa oikean käyttöpaineen saamiseksi. Rajoittimia voi tilata varaosaluettelon avulla.

Kaavioissa öljy virtaa viskositeetin ollessa 32 cSt.

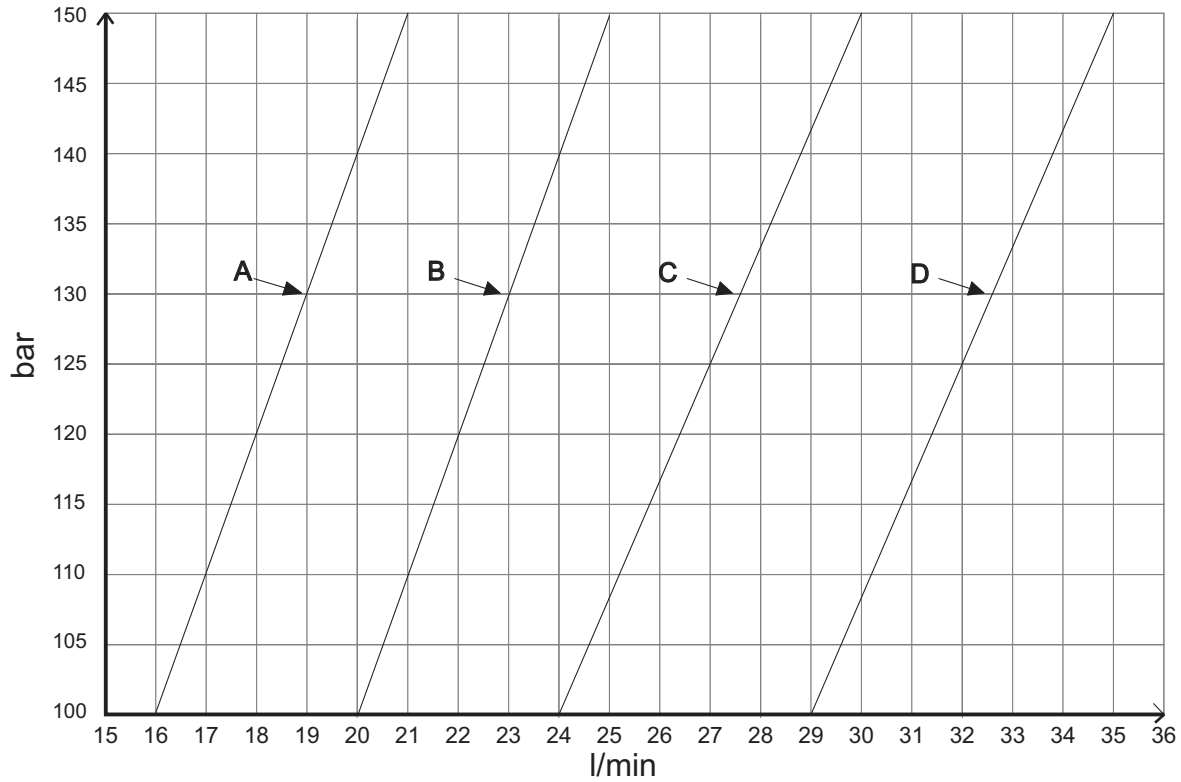


**SB 52: 100–150 baria**



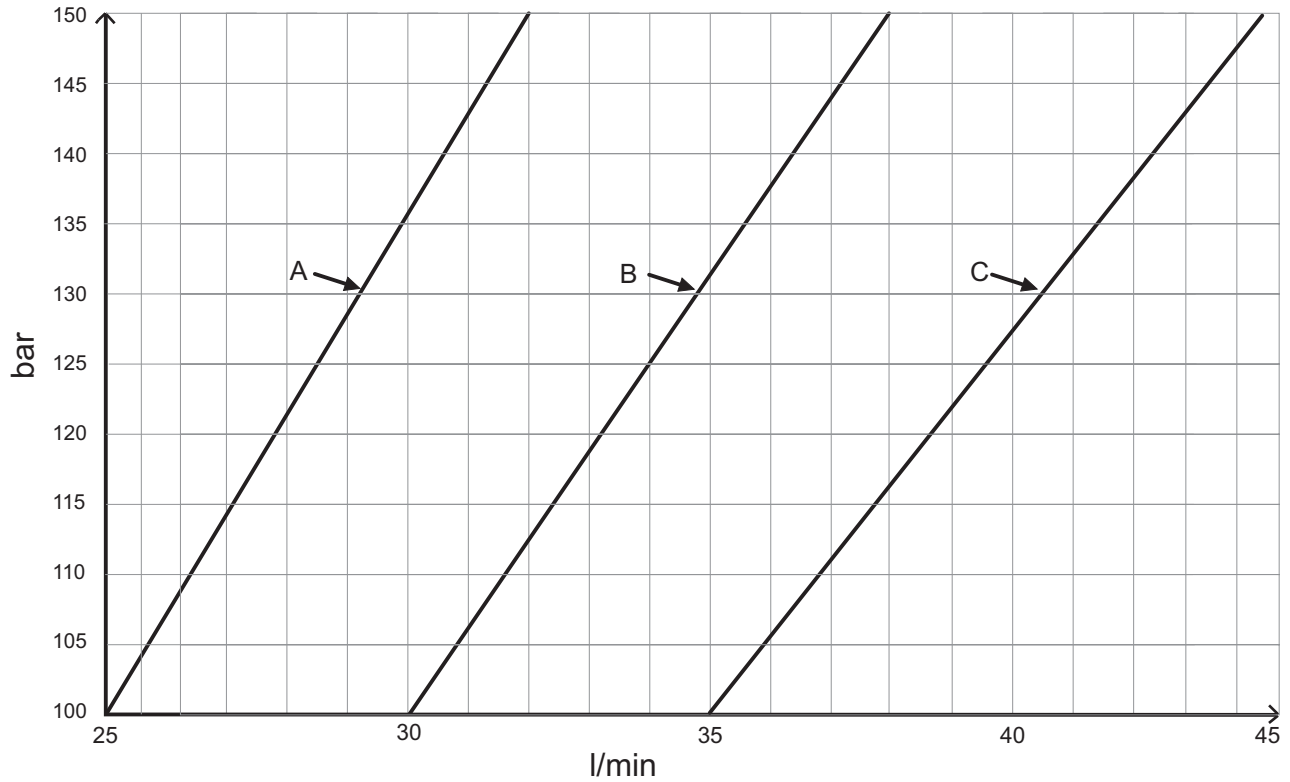
Rajoitin	Tilausno	Rajoitin	Tilausno
A	3315 2875 22	C	3315 2875 36
B	3315 2875 24	D (vakio)	3315 2875 37

**SB 102: 100–150 baria**



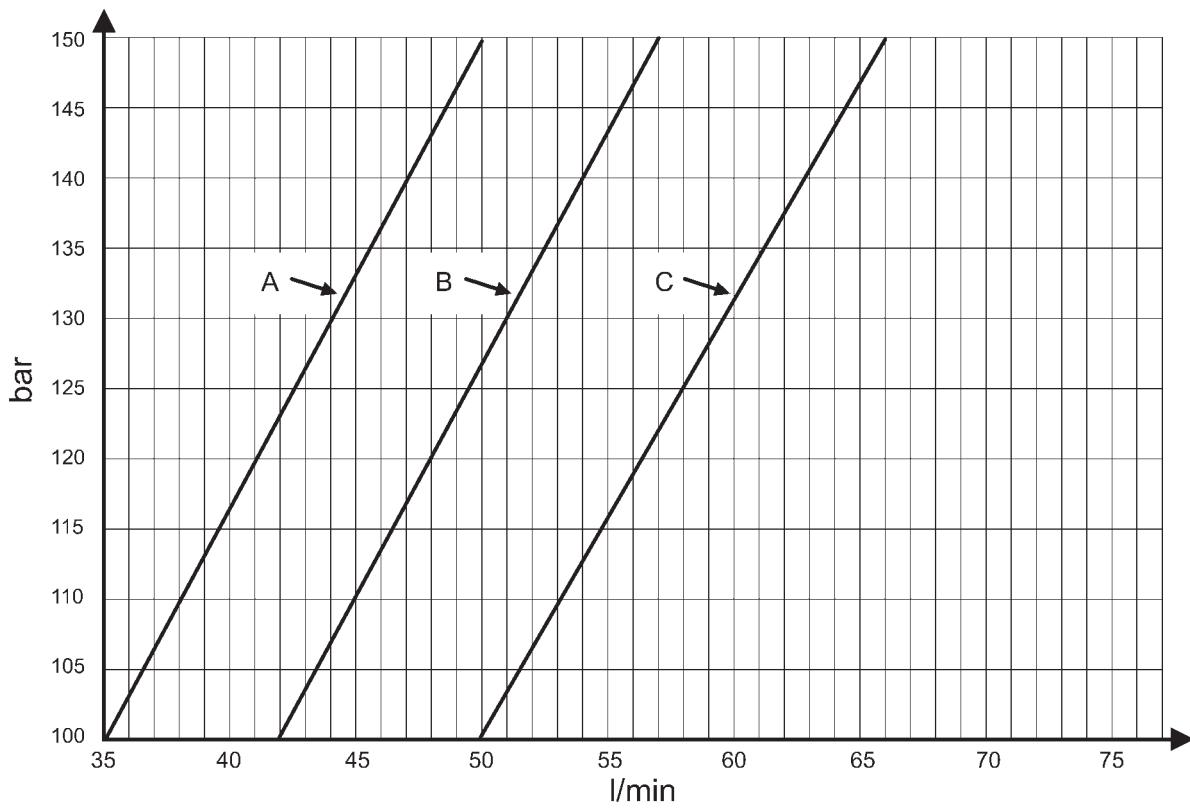
Rajoitin	Tilausno	Rajoitin	Tilausno
A	3315 2875 36	C	3315 2875 38
B	3315 2875 37	D (vakio)	3315 2875 35

**SB 152: 100–150 baria**



Rajoitin	Tilausno	Rajoitin	Tilausno
A	3315 2875 40	C (vakio)	3315 2875 51
B	3315 2875 35		

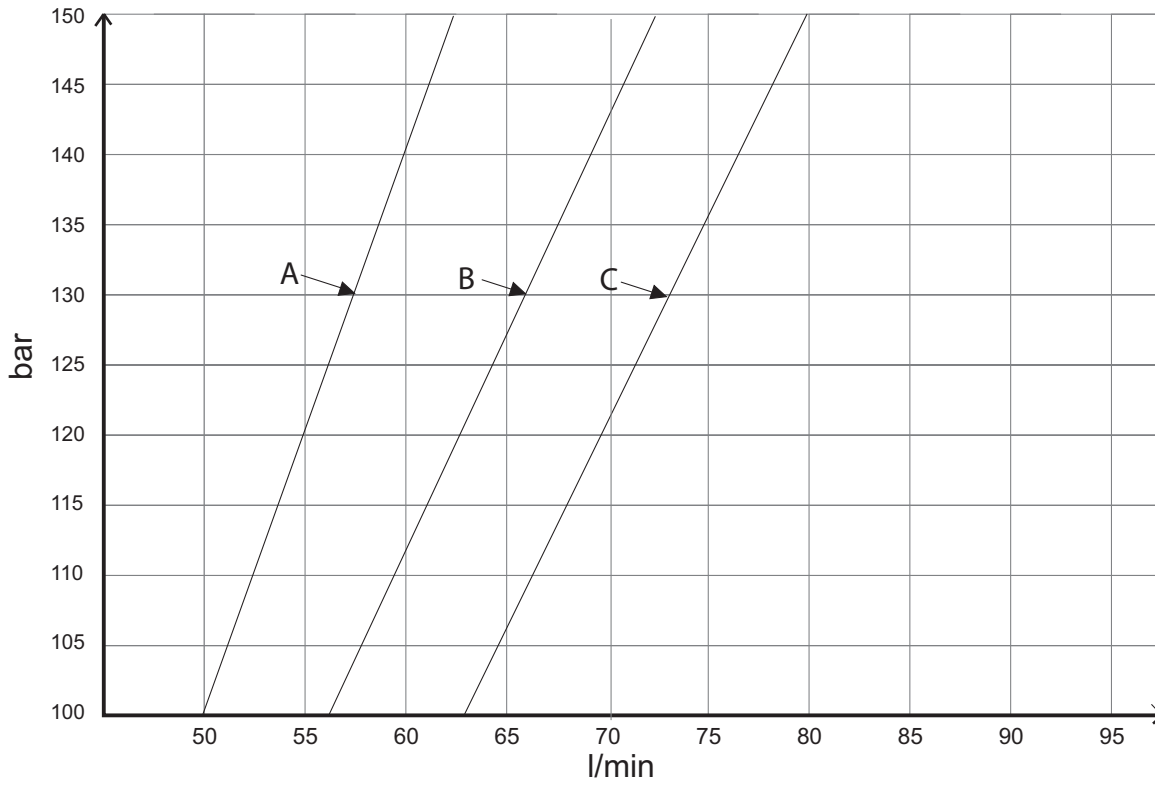
**SB 202: 100–150 baria**



Rajoitin	Tilausno	Rajoitin	Tilausno
A	3315 2875 45	C (vakio)	3315 3040 80
B	3315 2875 55		

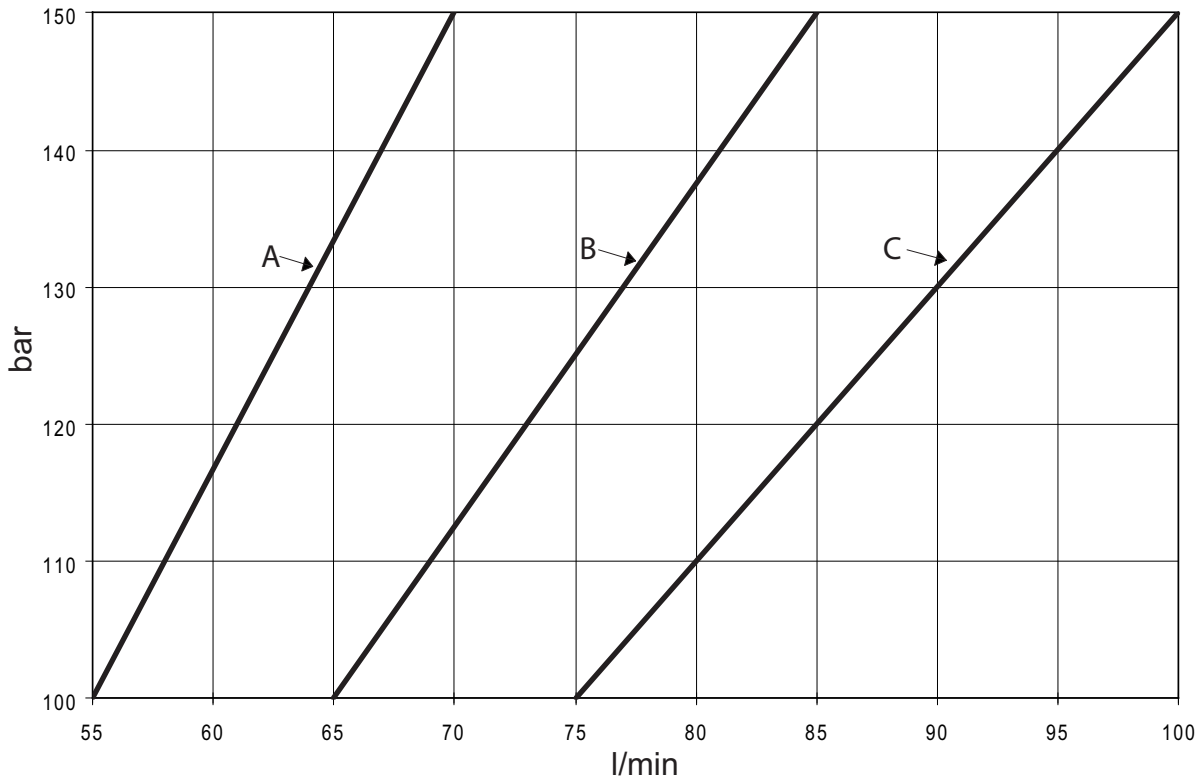


**SB 302: 100-150 baria**



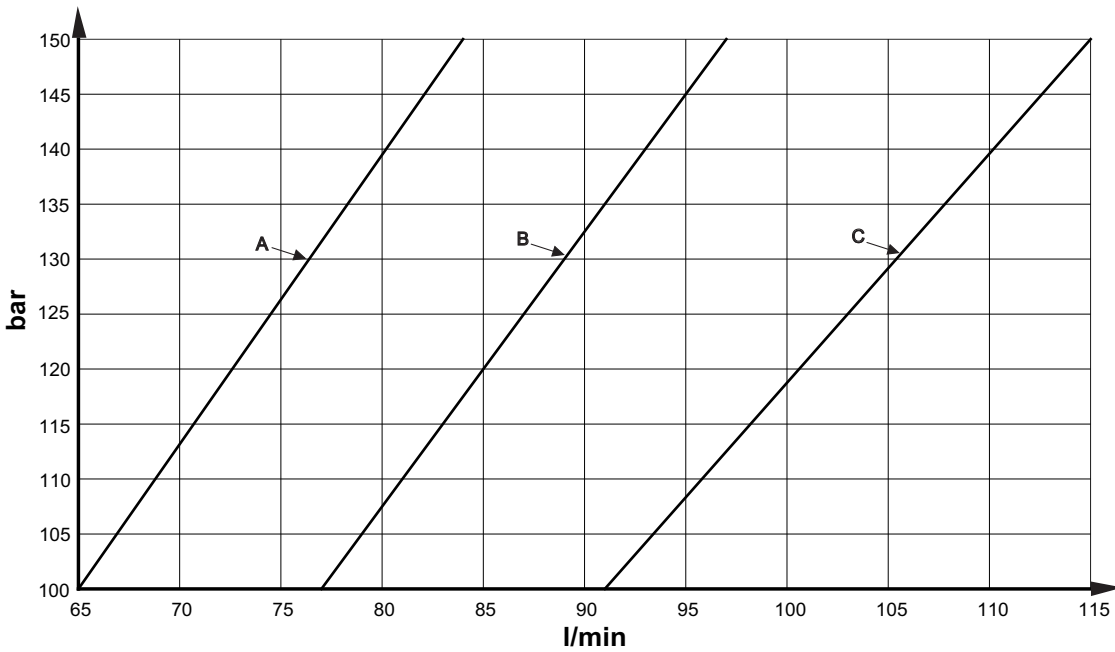
Rajoitin	Tilausno	Rajoitin	Tilausno
A	3315 3588 54	C (vakio)	3315 3588 63
B	3315 3152 35		

**SB 452: 100–150 bar**



Rajoitin	Tilausno	Rajoitin	Tilausno
A	3315 3152 35	C (vakio)	3315 3152 53
B	3315 3152 45		

**SB 552: 100–150 baria**



Rajoitin	Tilausno	Rajoitin	Tilausno
A	3315 3152 35	C (vakio)	3315 3152 55
B	3315 3152 45		



## DANSK

## Indhold

Indledning.....	247
Om sikkerhedsinstruktioner og betjeningsvejledning.....	247
<b>Sikkerhedsinstruktioner.....</b>	<b>248</b>
<b>Sikkerhed, signalord.....</b>	<b>248</b>
<b>Personlige forholdsregler og kvalifikationer.....</b>	<b>248</b>
Transport.....	248
Montering, opbevaring, vedligeholdelse og bortskaffelse.....	248
Betjening.....	248
Afprøvning.....	248
Personligt beskyttelsesudstyr.....	248
Narkotika, alkohol eller medicin.....	249
<b>Bæremaskine, forholdsregler.....</b>	<b>249</b>
<b>Montering, forholdsregler.....</b>	<b>249</b>
Hydraulisk system.....	249
Samling / Adskillelse.....	249
<b>Betjening, forholdsregler.....</b>	<b>249</b>
<b>Opbevaring, forholdsregler.....</b>	<b>250</b>
<b>Vedligeholdelse, forholdsregler.....</b>	<b>250</b>
<b>Oversigt.....</b>	<b>252</b>
<b>Konstruktion og funktion.....</b>	<b>252</b>
<b>Hovedkomponenter.....</b>	<b>252</b>
<b>Skilte og mærkater.....</b>	<b>252</b>
Dataplade.....	253
Støjniveau-skilt.....	253
Mærkater på akkumulatoren.....	253
<b>Transport.....</b>	<b>253</b>
<b>Sådan løftes hydraulikhammeren.....</b>	<b>253</b>
<b>Montering.....</b>	<b>254</b>
<b>Slangere og forbindelser.....</b>	<b>254</b>
<b>Hydraulikolien.....</b>	<b>254</b>
<b>Samling.....</b>	<b>255</b>
<b>Trykjustering.....</b>	<b>256</b>
<b>Vandskylning.....</b>	<b>256</b>
<b>Indsætningsværktøj.....</b>	<b>257</b>
Valg af det korrekte indsætningsværktøj.....	257
Spidsmejsel.....	257
Flad- og spademejsel.....	257
Stumt værktøj.....	257
Montering og afmontering af indsætningsværktøjet.....	257
<b>Betjening.....</b>	<b>258</b>
<b>Forberedelse inden brydning.....</b>	<b>258</b>
Driftstemperaturer.....	258
Motoromdrejningstal.....	258
<b>Betjening.....</b>	<b>258</b>
Brydning.....	258
Brydning under vand.....	259
<b>Vedligeholdelse.....</b>	<b>260</b>
<b>Hveranden time.....</b>	<b>260</b>
Smøring med fedtsprøjte.....	260

Centralsmøresystem.....	260
<b>Hver dag</b> .....	260
<b>Hver uge</b> .....	261
Slitagegrænser.....	261
Udskiftning af indsætningsværktøjets bøsning.....	261
<b>Hvert år</b> .....	261
<b>Opbevaring</b> .....	262
<b>Bortskaffelse</b> .....	262
<b>Tekniske data</b> .....	263
<b>Maskinens data</b> .....	263
<b>Bæremaskinens ydeevne/effekt</b> .....	263
<b>Støjdeklaration</b> .....	263
<b>Flowdiagrammer for korrekt arbejdstryk</b> .....	263
SB 52: 100–150 bar.....	264
SB 102: 100–150 bar.....	265
SB 152: 100–150 bar.....	265
SB 202: 100–150 bar.....	266
SB 302: 100–150 bar.....	267
SB 452: 100–150 bar.....	268
SB 552: 100–150 bar.....	268



## Indledning

Tak, fordi De har købt et Atlas Copco-produkt. Siden 1873 har det været vores mål at finde nye og bedre måder at dække vores kunders behov på. Gennem årene har vi udviklet innovative og ergonomiske produkter, der har hjulpet vores kunder med at forbedre og rationalisere den daglige drift.

Atlas Copco har et stærkt globalt salgs- og servicenetværk med kundecentre og distributører i hele verden. Vores eksperter er veluddannede fagfolk med omfattende kendskab til produkterne og erfaring i brugen af dem. Overalt i verden kan vi tilbyde produktsupport og ekspertise, der sikrer, at vores kunder kan arbejde med maksimal effektivitet til enhver tid.

Yderligere information findes på: [www.atlascopco.com](http://www.atlascopco.com)

## Om sikkerhedsinstruktioner og betjeningsvejledning

Formålet med disse instruktioner er at give Dem oplysninger om, hvorledes hydraulikhammeren bruges effektivt og sikkert. Instruktionerne indeholder også gode råd og oplysninger om, hvordan der foretages periodisk vedligeholdelse af hydraulikhammeren.

Læs og forstå alle instruktionerne, før De bruger hydraulikhammeren for første gang.

## Sikkerhedsinstruktioner

For at reducere risikoen for, at De selv eller andre kommer alvorligt til skade eller bliver dræbt, skal De læse disse sikkerhedsinstruktioner, før De arbejder med maskinen.

Slå denne/disse sikkerhedsinstruktioner op på de steder, hvor der arbejdes med maskinen, udlevér kopier til Deres ansatte, og sørg for, at alle læser sikkerhedsinstruktionerne, før de arbejder med eller vedligeholder maskinen.

Overhold alle sikkerhedsregler.

## Sikkerhed, signalord

Signalordene Fare, Advarsel og Forsigtig har følgende betydninger:

<b>FARE</b>	Angiver en farlig situation, som, hvis den ikke forhindres, vil medføre død eller alvorlig tilskadekomst.
<b>ADVARSEL</b>	Angiver en farlig situation, som, hvis den ikke forhindres, kan medføre død eller alvorlig tilskadekomst.
<b>FORSIGTIG</b>	Angiver en farlig situation, som, hvis den ikke forhindres, kan medføre mindre eller moderat tilskadekomst.

## Personlige forholdsregler og kvalifikationer

Kun kvalificeret og trænet personale må betjene og vedligeholde maskinen. Brug altid sund fornuft og god dømmekraft.

### Transport

Transport af den hydrauliske hammer må kun udføres af personale der:

- Er autoriseret til at betjene en kran eller en gaffeltruck i henhold til de gældende nationale direktiver,
- er opmærksom på alle relevante nationale sikkerhedsinstruktioner og ulykkesforebyggende instruktioner
- og som har læst og forstået kapitlerne om sikkerhed og transport i denne håndbog.

## Montering, opbevaring, vedligeholdelse og bortskaffelse

Montering, opbevaring, vedligeholdelse og bortskaffelse af den hydrauliske hammer må kun udføres af personale der:

- Er opmærksom på alle relevante nationale sikkerhedsinstruktioner og ulykkesforebyggende instruktioner
- og som har læst og forstået Sikkerhedsinstruktioner og betjeningsvejledning.

### Betjening

Betjening af den hydrauliske hammer må kun udføres af kvalificerede bæremaskineoperatører.

Bæremaskineoperatører er kvalificerede hvis de:

- Er uddannet til at betjene en bæremaskineoperatører i henhold til nationale direktiver,
- er opmærksom på alle relevante nationale sikkerhedsinstruktioner og ulykkesforebyggende instruktioner
- og som har læst og forstået Sikkerhedsinstruktioner og betjeningsvejledning.

### Afprøvning

Afprøvning af den hydrauliske hammer må kun udføres af professionelle teknikere. Disse teknikere skal være autoriseret til at betjene et hydraulisk system i henhold til nationale direktiver.

### Personligt beskyttelsesudstyr

Anvend altid godkendt beskyttelsesudstyr.

Operatører og alle andre personer i arbejdsområdet skal være iført beskyttelsesudstyr, herunder som et minimum:

- Beskyttelseshjelm
- Høreværn
- Slagfaste beskyttelsesbriller med sidebeskyttelse
- Åndedrætsværn når påkrævet
- Beskyttelseshandsker
- Passende sikkerhedsstøvler



## Narkotika, alkohol eller medicin

### ▲ ADVARSEL Narkotika, alkohol eller medicin

Narkotika, alkohol eller medicin kan påvirke Deres dømmekraft og koncentrationsevne. Nedsat reaktionsevne og forkerte vurderinger kan medføre alvorlige ulykker eller dødsfald.

- ▶ Brug aldrig maskinen når De er træt eller under indflydelse af narkotika, alkohol eller medicin.
- ▶ Ingen personer, der er under indflydelse af narkotika, alkohol eller medicin, må betjene maskinen.

## Bæremaskine, forholdsregler

Læs omhyggeligt producentens sikkerhedsregler og betjeningsvejledning før brug af eller transport af bæremaskinen med monteret hydraulikhammer.

Sørg for at bæremaskinen er udstyret med egnede beskyttelsesforanstaltninger, inklusive en beskyttende skærm foran operatøren.

Hydraulikhammeren bør kun monteres på en bæremaskine med tilstrækkelig belastningskapacitet.

Bæremaskiner uden tilstrækkelig belastningskapacitet har ikke den nødvendige grad af stabilitet og kan vælte under brug af hydraulikhammeren med personskade og andre skader til følge.

## Montering, forholdsregler

### Hydraulisk system

#### ▲ FARE Komprimeret gas, eksplosionsfare

Akkumulatoren står under tryk, også når hydrauliksystemet er afbrudt. Afmontering af akkumulatoren uden forudgående trykaflastning af kvælstoffet kan forårsage alvorlig personskade og død.

- ▶ Højtryksakkumulatoren må kun fyldes med kvælstof (N<sub>2</sub>).
- ▶ Kun autoriserede personer må arbejde med akkumulatoren.

#### ▲ ADVARSEL Hydraulikolie under højt tryk

Tynde stråler hydraulikolie under højt tryk kan trænge gennem huden og forårsage permanent skade.

- ▶ Søg omgående læge, hvis der er trængt hydraulikolie ind under huden.
- ▶ Brug aldrig fingrene til kontrol af hydraulisk lækage.
- ▶ Hold ansigtet væk fra mulige lækager.

#### ▲ ADVARSEL Hydraulikolie

Spildt hydraulikolie kan forårsage forbrændinger, ulykker på grund af glat underlag og desuden er det skadeligt for miljøet.

- ▶ Fjern spildt olie, og bortskaf den i overensstemmelse med de lokale sikkerheds- og miljøforskrifter.
- ▶ Afmonter aldrig hydraulikhammeren, mens hydraulikolien er varm.
- ▶ Før aldrig hydraulikledninger for tilslutning af hydraulikhammeren gennem førerkabinen.

#### ▲ FORSIGTIG Hudeksem

Ved hudkontakt kan hydraulikolie forårsage eksem.

- ▶ Undgå at få hydraulikolie på hænderne.
- ▶ Brug altid beskyttelseshandsker ved arbejde med hydraulikolie.

### Samling / Adskillelse

#### ▲ ADVARSEL Bevægelige dele

Risiko for knuste hænder og fingre.

- ▶ Kontrollér aldrig boringer eller kanaler med hænder eller fingre.
- ▶ Bombevægelser må kun udføres i samarbejde med de personer, der monterer hydraulikhammeren.
- ▶ Hvis hydraulikhammeren monteres på et hurtigskifte, skal det sikres, at den er låst, og at alle risici for, at hydraulikhammeren kan løsne sig, er elimineret.

## Betjening, forholdsregler

#### ▲ FARE Eksplosionsfare

Hvis et indsætningsværktøj kommer i kontakt med sprængstoffer eller eksplosive gasser, kan der ske en eksplosion. Ved arbejde med visse materialer kan der dannes gnister og antænding. Eksplosioner kan føre til svære skader eller dødsfald.

- ▶ Arbejd aldrig med maskinen i et eksplosionsfarligt miljø.
- ▶ Brug aldrig maskinen i nærheden af brændbare materialer, dampe eller støv.
- ▶ Kontrollér, at der ikke er skjulte kilder af gas eller sprængstoffer.

**▲ ADVARSEL Arbejdstryk**

Hvis det maksimale arbejdstryk for hydraulikhammeren overskrides, kan akkumulatorens maksimale tryk overskrides, hvilket kan medføre materiel- og personskade.

- ▶ Lad altid hydraulikhammeren køre med korrekt arbejdstryk. Se "Tekniske data".

**▲ ADVARSEL Kisel-fare**

Udsættes man for krystallinsk kisel (undertiden kaldet "kiselstøv") i forbindelse med, at der brydes eller foregår andre aktiviteter, som omfatter sten, beton, asfalt eller andre materialer, kan det forårsage silikose (en alvorlig lungesygdom), silikoserelaterede sygdomme, kræft eller død. Kisel er en hovedbestanddel i sten, sand og mineralmalm.

- ▶ SB-hamre er forberedt for minimering af støv for at reducere udsættelsen for kisel.

**▲ ADVARSEL Støvfare**

Nogle former for støv, dampe og andet luftbåret materiale, som opstår under arbejdet med maskinen, kan indeholde kemikalier, som myndighederne i Californien er bekendt med er kræftfremkaldende og kan forårsage medfødte misdannelser eller andet, som medfører skader på reproduktions- og arveanlæg. Nogle eksempler på sådanne materialer er:

- Krystallinsk kvarts, cement og andre murværksmaterialer.
- Arsenik og krom fra kemisk behandlet gummi.
- Bly fra blybaseret maling.
- ▶ De kan beskytte Dem mod påvirkning af disse kemikalier ved at arbejde i områder med god udluftning og ved at arbejde med godkendt beskyttelsesudstyr som f.eks. støvmasker, som er specialkonstrueret til at frafiltrere mikroskopiske partikler.

**▲ ADVARSEL Elektrisk stød**

Den hydrauliske hammer er ikke isoleret mod elektrisk strøm. Hvis den hydrauliske hammer skulle komme i kontakt med en elektrisk strømkreds eller andre strømkilder, er der risiko for alvorlig skade eller dødsfald.

- ▶ Undgå at arbejde i nærheden af elektriske kredse eller andre elektriske strømkilder.
- ▶ Undersøg at der ikke er skjulte elektriske kredse i arbejdsområdet.

**▲ ADVARSEL Projektiler**

Under brydning kan splinter eller andre partikler blive til projektiler og forårsage personskade, hvis de rammer operatøren eller andre personer. Små objekter, der falder ned fra stor højde, kan forårsage alvorlige skader.

- ▶ Spær arbejdsområdet af.
- ▶ Inden arbejdet påbegyndes bør det undersøges, at der ikke befinder sig personer i hydraulikhammerens risikoområde, dvs. 20 meter både lodret og vandret.
- ▶ Hvis der findes personer i fareområdet, skal hydraulikhammeren omgående slås fra.

**▲ ADVARSEL Støjrisiko**

Høje støjniveauer kan forårsage permanent tab af hørelse.

- ▶ Brug høreværn i overensstemmelse med arbejdsmiljø- og sikkerhedsforskrifterne.

## Opbevaring, forholdsregler

**▲ ADVARSEL Hydraulikhammeren og indsætningsværktøjet er tungt**

- ▶ Hydraulikhammer og indsætningsværktøj skal opbevares således, at det ikke kan vælte eller rulle.

## Vedligeholdelse, forholdsregler

**▲ ADVARSEL Utilsigtet start**

En utilsigtet start af hydraulikhammeren kan medføre alvorlige skader.

- ▶ Følg instruktionerne i bæremaskinens instruktionsbog, for at undgå utilsigtet start af hydraulikhammeren.
- ▶ Installation af et startkredsløb i hydraulikhammeren, skal udføres på en sådan måde, at utilsigtet start undgås.
- ▶ Pedalen på bæremaskinen skal være udstyret med en beskyttelsesafdækning.

**▲ ADVARSEL Hydrauliksystem under højt tryk**

Vedligeholdelsesarbejde på en hydraulikhammer under tryk, kan medføre alvorlige skader. Tilslutninger kan pludselig gå løs, dele kan pludselig bevæge sig og hydraulikolie kan sprøjte ud.

- ▶ Tag trykket af hydrauliksystemet, inden vedligeholdelsesarbejde på hydraulikhammeren påbegyndes.

**▲ ADVARSEL Maskin-modificering**

Enhver modifikation af maskinen kan medføre personskader på Dem selv og andre.

- ▶ Modificér aldrig maskinen.
- ▶ Anvend altid originale dele og tilbehør, der er godkendt af Atlas Copco.

**▲ FORSIGTIG Varmt indsætningsværktøj**

Indsætningsværktøjets spids bliver varm, når den bruges. Berøring kan medføre forbrændinger.

- ▶ Rør aldrig ved et varmt indsætningsværktøj.
- ▶ Vent indtil indsætningsværktøjet er kølet af, inden der udføres vedligeholdelsesarbejde.

## Oversigt

For at reducere risikoen for, at De selv eller andre bliver alvorligt skadet eller dræbt, skal De læse afsnittet med sikkerhedsinstruktioner på de foregående sider i denne håndbog, før De arbejder med maskinen.

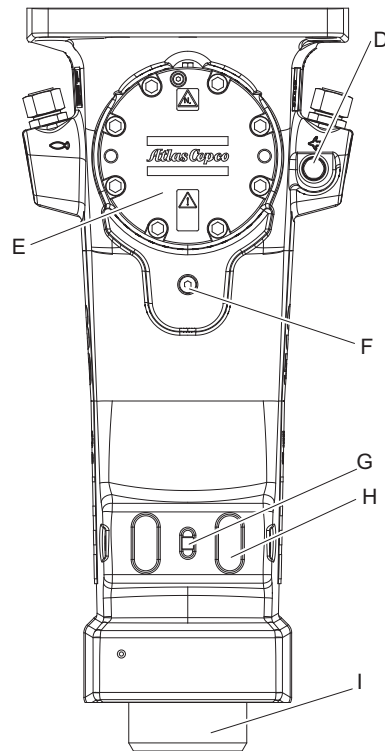
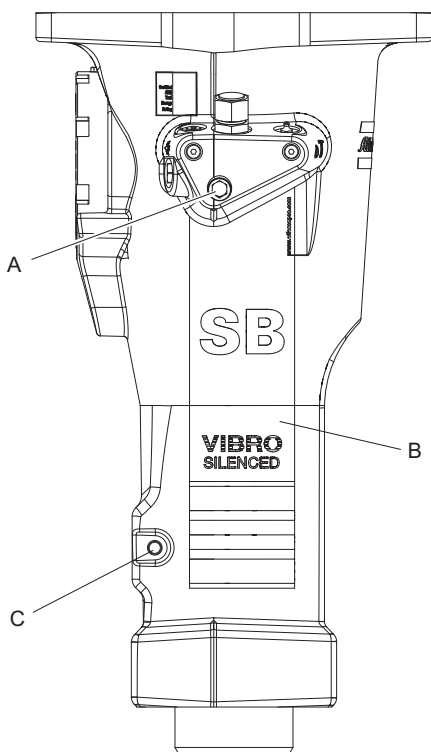
## Konstruktion og funktion

SB er en serie rigmonterede hydraulikhamre, der er konstrueret til alle former for nedbrydningsarbejde.

SB står for Solid Body, hvilket betyder, at hammerens hus er udført som en massiv enhed. Akkumulatoren er integreret i huset.

Hydraulikhammeren betjenes fra bæremaskinens førerkabine ved hjælp af bæremaskinens hydrauliksystem. Hammerens slagfrekvens styres af olieflowet fra bæremaskinen.

## Hovedkomponenter

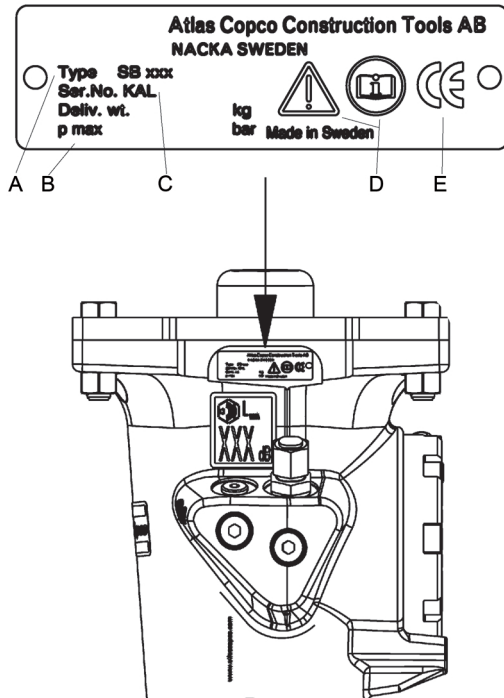


- A. Oliedyse
- B. Hammerkrop
- C. Låsestift
- D. Trykbegrænsningsventil
- E. Akkumulator
- F. Olieaftappingsprop
- G. Låseanslag
- H. Værktøjsholder
- I. Bøsning

## Skilte og mærkater

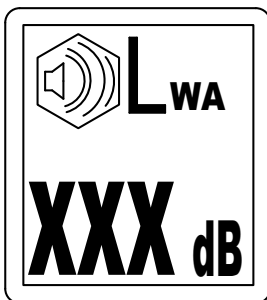
Maskinen er forsynet med skilte og mærkater, som indeholder vigtige informationer om personlig sikkerhed og maskinens vedligeholdelse. Disse skilte og mærkater skal altid være letlæselige. Nye skilte og mærkater kan bestilles i henhold til reservedelslisten.

## Dataplade



- A. Maskintype
- B. Maksimale hydrauliktryk
- C. Serienummer
- D. Advarselssymbolet sammen med bogsymbolet betyder, at brugeren skal læse sikkerhedsinstruktionerne og betjeningsvejledningen, før maskinen anvendes første gang.
- E. CE-symbolet betyder, at maskinen er CE-godkendt. Yderligere information findes i det medfølgende eksemplar af CE-overensstemmelsesdeklarationen.

## Støjniveau-skilt



Skiltet angiver det garanterede støjniveau i henhold til EU-direktiv 2000/14/EF. Se "Tekniske data" vedrørende nøjagtigt støjniveau.

## Mærkater på akkumulatoren



Læs servicevejledningen omhyggeligt, inden servicearbejde eller udskiftning påbegyndes.



Akkumulatoren må kun fyldes med kvælstof.

**BEMÆRK!** Kun certificeret personale må arbejde med akkumulatoren.

## Transport

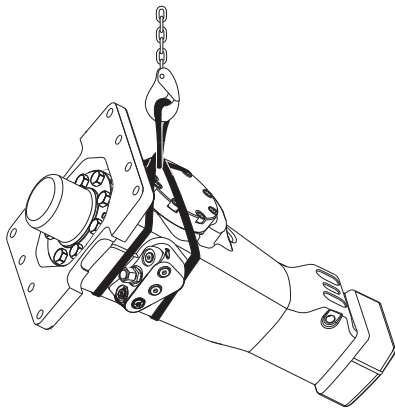
## Sådan løftes hydraulikhammeren

**▲ ADVARSEL** En hammer, der tabes, kan forårsage skader

- Placér hydraulikhammeren på en sikker måde, så den ikke kan vælte og forårsage skade.

Kontrollér omhyggeligt, at bæremaskinen er tilstrækkelig stabil ved transport, udførelse af vedligeholdelse eller andre typer arbejde på hydraulikhammeren.

Hydraulikhammeren leveres i en kasse. Montér løftestroppen som vist på billedet nedenfor, for at løfte hydraulikhammeren ud på en sikker måde.



## Montering

Inden montering af hydraulikhammeren på bæremaskinen og inden den tages i brug, skal instruktionsbogen og instruktionerne fra bæremaskineproducenten gennemlæses. Følg alle instruktioner.

Bæremaskinen skal have et velegnet hydrauliksystem for at kunne arbejde med hammeren.

Hvis bæremaskinen er for stor til hydraulikhammeren, kan det forårsage værktøjsbrud og øget slitage. Se "Tekniske data" vedrørende valg af en passende bæremaskine.

Sikkerhedsudrustningen i det hydrauliske system skal kontrolleres for kvalitet (CE mærkning etc.), egnethed og funktionalitet, af en professionel/autoriseret tekniker, inden det tages i brug.

## Slanger og forbindelser

### ▲ ADVARSEL Piskende hydraulikslange

Hydraulikslanger under tryk kan piske ukontrolleret frem og tilbage, hvis skruerne løsner sig eller bliver løsnet. En piskende hydraulikslange kan forårsage alvorlige skader.

- ▶ Tag trykket af hydrauliksystemet, inden hydraulikslangens tilslutning løsnes.
- ▶ Spænd møtrikkerne på hydraulikslangernes tilslutninger med det rigtige tilspændingsmoment.

Nippeltype: Atlas Copco ORFS standard nippel. Nippeldimensionerne kan findes i reservedelslisten.

Hydraulikslangernes kvalitet skal være 2SC (i henhold til EN 857) eller bedre, ved tilslutning af hammeren til bæremaskinen. Hvis der skal anvendes lynkoblinger, anbefaler vi brugen af lynkoblingen "Flat Face". Denne type er robust og let at rengøre. Lynkoblingens trykklasse skal passe til bæremaskinens arbejdstryk.

Rengør altid lynkoblingerne før montering eller afmontering. Luk altid slanger og slangenipler med rene propper ved afmontering.

### Slangeforbindelser Højre (set fra førerpladsen)

	Luftspuling	Centralsmøring	Tank, returledning
Symbol			
SB 52	G 1/4"	G 1/4"	G 3/8"
SB 102	G 1/4"	G 1/4"	G 1/2"
SB 152	G 1/4"	G 1/4"	G 1/2"
SB 202	G 1/4"	G 1/4"	G 1/2"
SB 302	G 1/4"	G 1/4"	G 3/4"
SB 452	G 1/4"	G 1/4"	G 3/4"
SB 552	G 1/4"	G 1/4"	G 1"

### Slangeforbindelser Venstre (set fra førerpladsen)

	Vand	Tryk til hammer	Tryk til ContiLube©II
Symbol			
SB 52	-	G 3/8"	G 1/4"
SB 102	-	G 1/2"	G 1/4"
SB 152	G 1/4"	G 1/2"	G 1/4"
SB 202	G 1/4"	G 1/2"	G 1/4"
SB 302	G 1/4"	G 3/4"	G 1/4"
SB 452	G 1/4"	G 3/4"	G 1/4"
SB 552	G 1/4"	G 1"	G 1/4"

### Tilspændingsmomenter for trykslange og returslange

SB 52	60 Nm
SB 102	150 Nm
SB 152	150 Nm
SB 202	150 Nm
SB 302	210 Nm
SB 452	210 Nm
SB 552	300 Nm

## Hydraulikolien

Normalt kan den type hydraulikolie, som bæremaskinen bruger, også bruges til hydraulikhammeren.

Når der er sluttet en hydraulikhammer til bæremaskinen, tilsmudses hydraulikolien hurtigere. Læs og følg instruktionerne for olie- og filterskift for bæremaskinen. Det er normalt, at oliefilteret skal skiftes hyppigere, når der er monteret en hydraulikhammer.

SB-hydraulikhamre har en olieprop til aftapning af al olie før afmontering. Dette reducerer risikoen for at spilde olie.

**BEMÆRK!** Når SB-hammeren leveres, indeholder den noget mineralbaseret hydraulikolie. Før tilslutning til bæremaskinens hydrauliksystem skal det kontrolleres, hvilken type hydraulikolie bæremaskinen bruger. Hvis forskellige typer hydraulikolie blandes, kan det ødelægge smørekvaliteten og medføre skader på maskinen.

## Samling

### ▲ ADVARSEL En hammer, der tabes, kan forårsage skader

- Placér hydraulikhammeren på en sikker måde, så den ikke kan vælte og forårsage skade.

Lad hydraulikolien cirkulere, inden hydraulikhammeren tilsluttes. Dette gøres for at sikre, at hydraulikolien er ren. Gør det samme ved udskiftning af hydraulikolieslangen. For yderligere information, se "Hydraulikolien".

1. Tilslut trykslangen og returslangen.

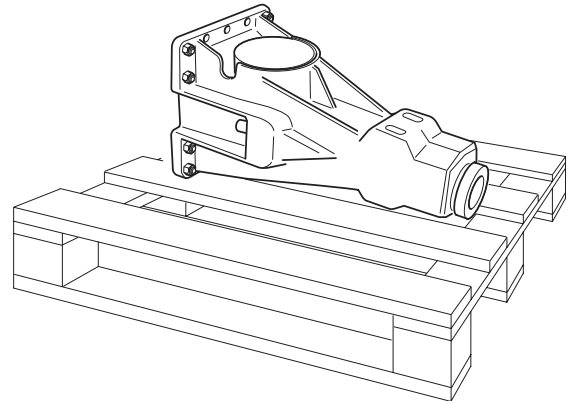


2. Lad hydraulikolien løbe gennem bæremaskinens oliefilter i ca. 3 minutter, for at sikre at slangerne er rene.

### Forberedelse

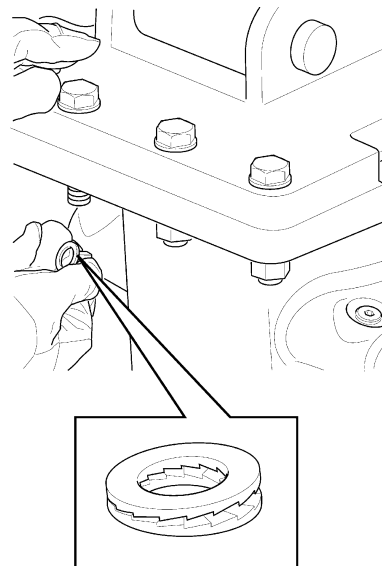
1. Hammeren skal placeres i en stilling, hvor det er let og sikkert at montere adapterpladen.

**BEMÆRK!** Montér hammeren sådan, at akkumulatoren vender mod førerhuset, for at reducere risikoen for skader på akkumulatoren under arbejdet.



### Montering af adapterpladen

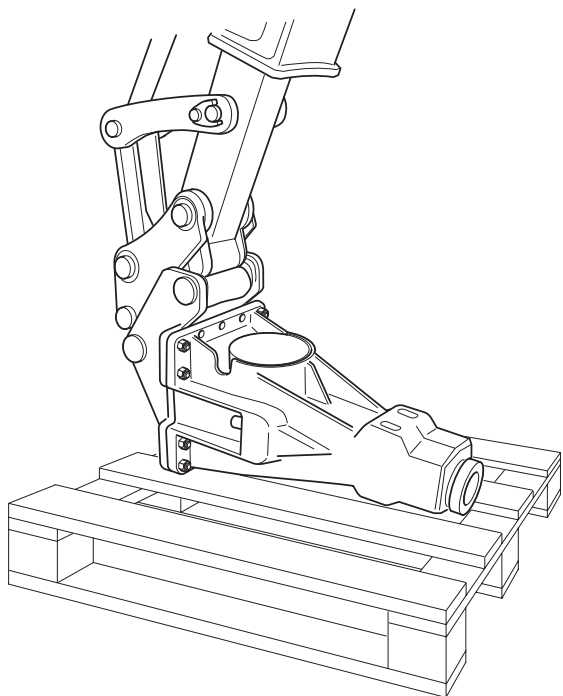
2. Hvis den såkaldte "Tough lock" bolt fra Atlas Copco ikke er til rådighed, anbefaler vi at bruge NORD-LOCK™ skiver under bolt og møtrik (NORD-LOCK™ er et registreret varemærke for Nord-Lock AB i USA og/eller andre lande).



Adapterplade	Tilspændingsmoment
SB 52	290 Nm
SB 102	200 Nm
SB 152	200 Nm
SB 202	200 Nm
SB 302	170 Nm
SB 452	400 Nm
SB 552	400 Nm

*Tilslutning af hammeren til bæremaskinen*

- Placér hammeren på en sikker måde ved montering.



Trykindgangen på hydraulikhammeren sidder på venstre side, når man ser på akkumulatoren. Hvis trykslangen sidder på den anden side af bæremaskinens arm, kan slangerne krydses, eller hydraulikhammeren vendes.

- Sænk forsigtigt bommens dorn ned i adapteren.

**▲ ADVARSEL Bevægelige dele kan knuse og klippe**

- Kontrollér aldrig boringer eller kanaler med hænder eller fingre.

En medhjælper skal styre bevægelsen af bæremaskinens arm, indtil hullerne i armen er ud for hullerne i adapteren.

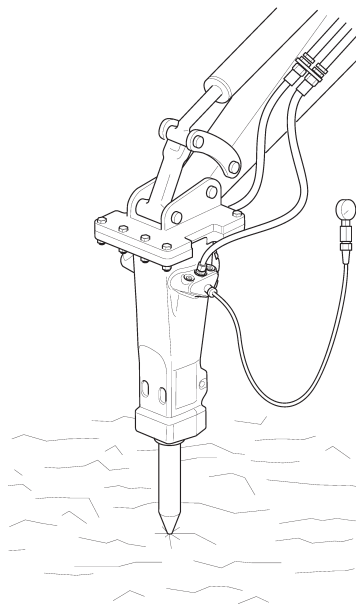
Aftal med medhjælperen, hvilke klare håndsignaler der skal bruges under monteringsarbejdet.

- Sæt stiften i, og lås.
- Hæv hydraulikhammeren med bommen.
- Kør skovlcylinderen ud, til hullet i knæleddet er ud for hullerne i adapteren. Sæt knæleddsdornen i, og lås.
- Efter montering af hammeren, skal skovlcylinderen omhyggeligt køres helt ud og helt ind. Det er vigtigt at cylinderen kan køres helt ud og ind uden vanskeligheder.

## Trykjustering

SB hamre er udrustet med en trykbegrænsningsventil, hvilket sikrer hammeren. Hydraulikhammerens arbejdstryk (maks. 150 bar) kontrolleres og justeres af en trykmåler, mens hydraulikhammeren er i brug.

- Hvis arbejdstrykket er mere end 150 bar, skal trykket reduceres. Reducér olieflowet fra bæremaskinen, indtil trykket er nede på 150 bar. Denne justering er vigtig, for at sikre at den indbyggede trykbegrænsningsventil i hammeren ikke åbner og lækker olie til tanken og skaber varmeproblemer.
- Hvis arbejdstrykket ligger på mellem 130–150 bar, er en justering normalt ikke nødvendig.
- Hvis bæremaskinens olieflow er for lavt, til at et acceptabelt arbejdstryk kan opretholdes, skal oliedysen i hammeren udskiftes. Se flowdiagrammer i "Tekniske data" for valg af den bedste oliedyse til den aktuelle anvendelse.



Placér hydraulikhammeren lodret mod fast underlag eller lignende for at justere trykket ved hjælp af en trykmåler.

## Vandskylning

Hydraulikhammeren er forberedt for vandskylning. Denne funktion er beregnet til at binde støvet ved udførelse af nedbrydningsarbejde.

Ved tilslutning af vandskylning skal proppen foran på hammeren udskiftes med en vanddyse. Se i reservedelslisten vedrørende bestilling af en ny vanddyse.

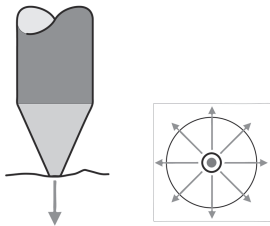


Brug en ¼" hydraulikslange sammen med en JIC-sammenkobling, for at opnå en korrekt vandslange. Vandforbruget ved 4 bar er 6,6 l/min. Kontakt det nærmeste autoriserede værksted vedrørende yderligere instruktioner.

## Indsætningsværktøj

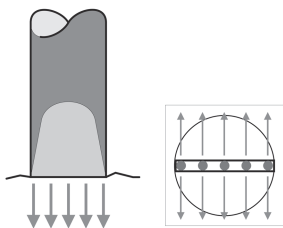
### Valg af det korrekte indsætningsværktøj

#### Spidsmejsel



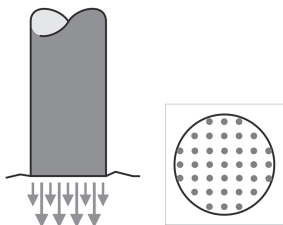
- Meget god indtrængning
- Ensartet spredning af kileaktion
- Ingen vridningseffekt

#### Flad- og spademejsel



- Meget god spredning af kileaktion
- God gennemtrængning
- Vridningseffekt

#### Stumt værktøj



- Meget god energioverføring
- Optimal hammereffekt
- Ingen vridningseffekt

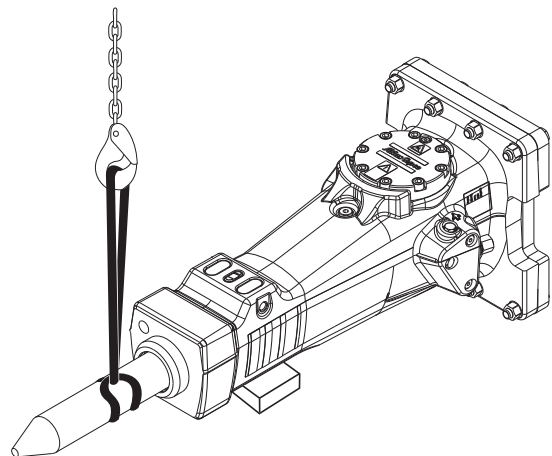
### Montering og afmontering af indsætningsværktøj

#### ⚠ ADVARSEL Motoren i gang

Skift af indsætningsværktøj, mens bæremaskinens motor er i gang, kan forårsage alvorlige skader.

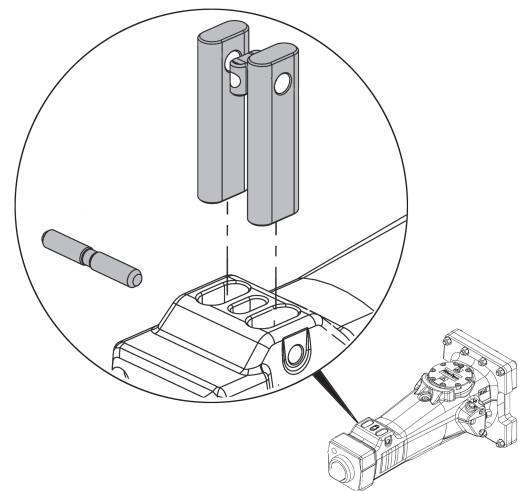
- ▶ Bæremaskinen skal sikres mod utilsigtet aktivering.

1. Stop bæremaskinens motor, inden skiftning af indsætningsværktøj.
2. Monter og afmonter indsætningsværktøjet med en løftestrop, så risikoen for legemsbeskadigelse reduceres.



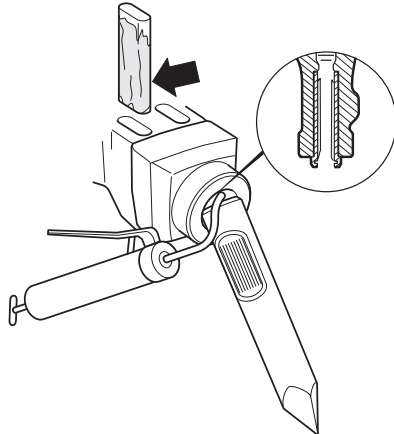
Nogle indsætningsværktøjer er tunge, tag derfor indsætningsværktøjet af på en sikker måde.

3. Kontrollér, at låseanslaget ikke er slidt eller beskadiget.

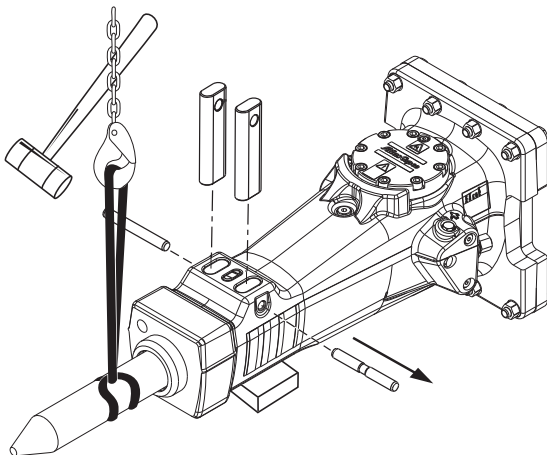


Låseanslaget i værktøjsholderens lås er fremstillet af plast, som kan smelte ved arbejde under varme forhold. Hvis dette sker, skal standardlåsestiften udskiftes. I reservedelslisten findes en fjederstift som ekstraudstyr, der kan bruges i stedet.

4. Rengør og smør bøsningen grundigt. Dette er særlig vigtigt, ved montering af et nyt indsætningsværktøj.



5. Montér indsætningsværktøjet.  
6. Drej indsætningsværktøjet for at fordele fedtet.  
7. Montér værktøjsholderne, en ad gangen.  
8. Slå låsestiften ind, til låseanslaget går i indgreb med låsestiftens rille.



Værktøjet afmonteres i omvendt rækkefølge af monteringsinstruktionen.

## Betjening

**BEMÆRK!** Hydraulikhammeren eller indsætningsværktøjet må ikke bruges som løfteanordning. Brug krogen på bæremaskinens arm til at løfte tunge komponenter med.

## Forberedelse inden brydning

### Driftstemperaturer

Arbejdstemperaturerne for hydraulikhammeren ligger mellem  $-20\text{ °C}$  og  $+80\text{ °C}$ .

### ▲ FORSIGTIG Temperaturfare

Hydraulikhammeren og bæremaskinens hydrauliske oliesystem kan beskadiges, hvis hydraulikhammeren anvendes ved højere eller lavere temperaturer.

- ▶ Start kun hydraulikhammeren, når hydraulikolien har opnået den korrekte driftstemperatur.
- ▶ Hvis den udvendige temperatur er under  $-20\text{ °C}$ , skal man opvarme arbejdsværktøjet og hydraulikhammeren inden den anvendes.
- ▶ Hvis olietemperaturen overstiger  $+80\text{ °C}$ , må hydraulikhammeren ikke anvendes, da olie kvaliteten bliver utilstrækkelig, hvilket afkorter levetiden på tætninger og O-ringe væsentligt.

### Motoromdrejningstal

Et for højt motoromdrejningstal medfører kun øget brændstofforbrug og højere olietemperatur. Tilpas motoromdrejningstallet til det anbefalede værdi, for at opnå det korrekte olieflow.

## Betjening

### Brydning

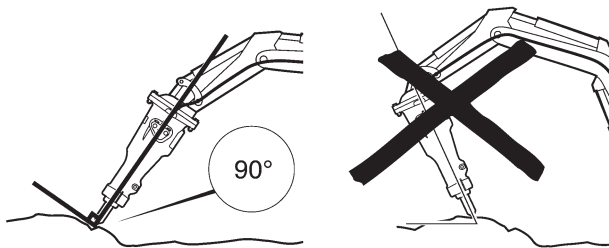
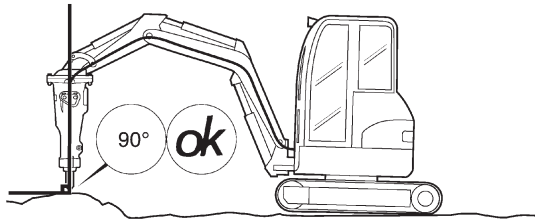
#### ▲ FORSIGTIG Maskin- og værktøjsfare

Vedvarende arbejde med hydraulikcylindrene i yderpositionerne kan beskadige cylindrene.

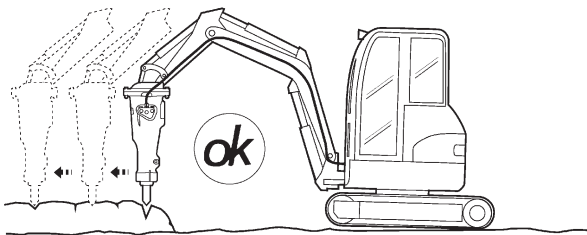
- ▶ Undgå at bruge hammeren, med cylindrene i fuldt udtrukket eller helt indtrukket stilling.
- ▶ Skift placering af bæremaskinen og/eller bommen, for at undgå arbejde med cylindre i yderstillingerne.
- ▶ Vær opmærksom og se hvad De laver.

Start ikke hydraulikhammeren, før både bæremaskine og hydraulikhammer er i korrekt stilling.

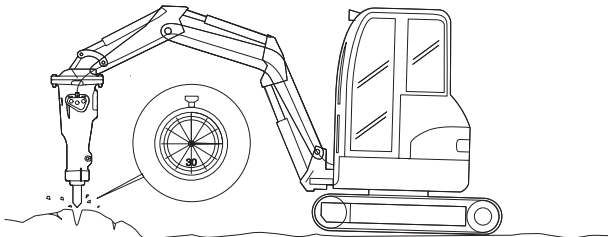
- ◆ Ret hydraulikhammeren mod det materiale, der skal brydes, i en stilling på 90°.



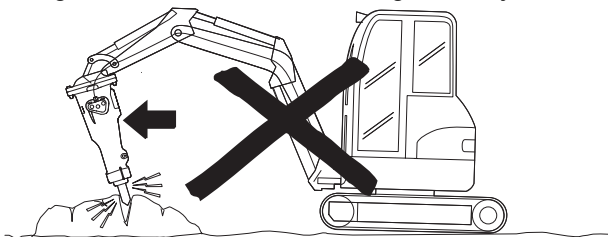
- ◆ Begynd nær kanten, og arbejd ind mod midten. Begynd ikke i midten af store objekter.



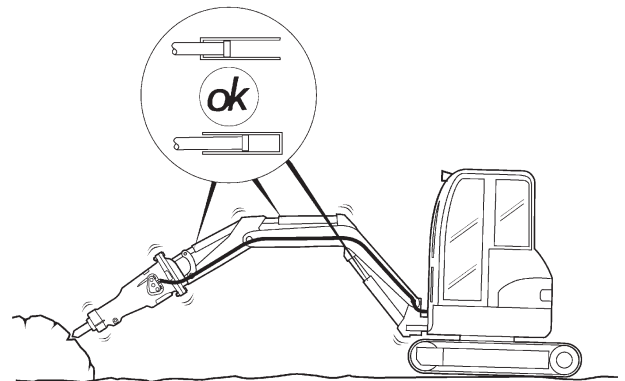
- ◆ Lad aldrig hydraulikhammeren køre på samme sted i mere end 15 sekunder. Flyt indsætningsværktøjet til et nyt sted, hvis materialet ikke brydes.



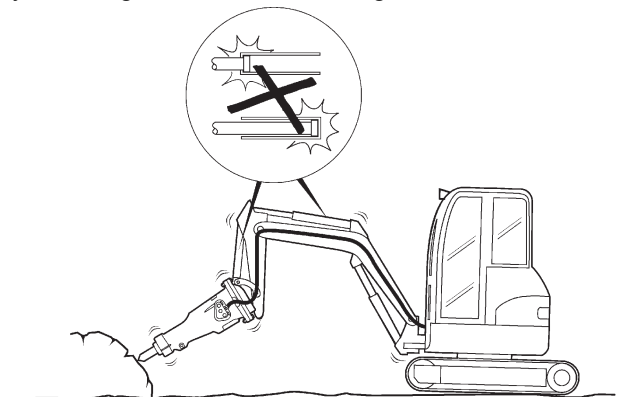
- ◆ Undgå at brække med indsætningsværktøjet.



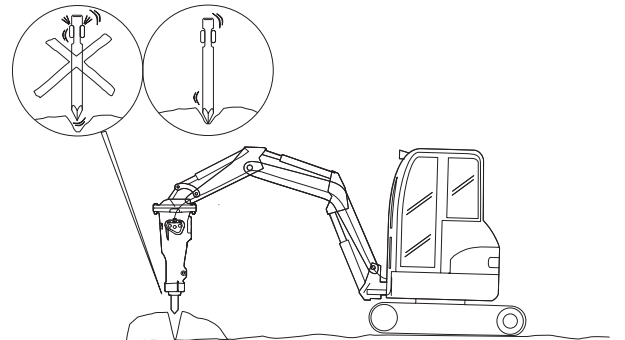
- ◆ Brug den korrekte tilholdekraft. Når tilholdekraften er korrekt, arbejder hydraulikhammeren optimalt, og vibrationerne holdes på et minimum. Også slitagen på bøsningen og værktøjet begrænses til et minimum.



- ◆ Lyt efter lyden fra hydraulikhammeren. Lyden ændrer sig, hvis der er bøjningsspænding mellem værktøjet og bøsningen.
- ◆ Brug ikke hammeren med bomcylindrene i deres yderstillinger. Dette kan beskadige bæremaskinen.

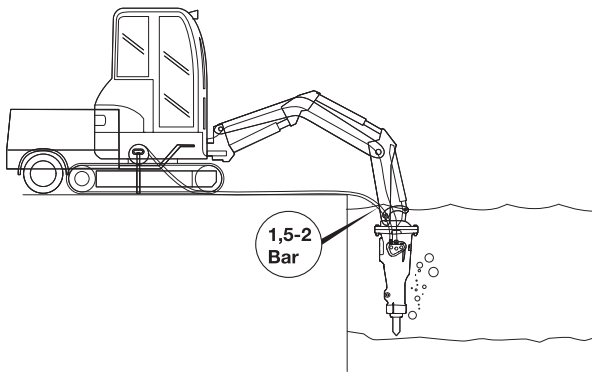


- ◆ Undgå tomgangsslag; det slider på både indsætningsværktøjet og værktøjsholderne.



### Brydning under vand

Hydraulikhammeren kan bruges til arbejde under vand.



Ved brug under vand skal hydraulikhammeren forsynes med trykluft for at holde området mellem stemplet og indsætningsværktøjet fri for vand. Hvis området mellem stemplet og indsætningsværktøjet fyldes med vand, kan det trænge ind i hydraulikoliesystemet, når hydraulikhammeren startes.

Lufttrykket skal ligge på 1,5–2 bar ved luftindgangen på hammeren, og luftforbruget kan findes i "Tekniske data". En passende luftslange er en ¼" hydraulikslange med JIC-sammenkobling. Kontakt det nærmeste autoriserede værksted for yderligere instruktioner.

## Vedligeholdelse

Det er vigtigt, at vedligeholdelse udføres med jævne mellemrum, så hammerens maksimale effektivitet bevares.

Dårligt vedligeholdt udstyr kan udgøre en fare for både operatøren og personer i nærheden af hammeren. Sørg for at overholde de regelmæssige rutiner med vedligeholdelse og smøring, så udstyringen holdes i sikker og effektiv stand.

## Hveranden time

Indsætningsværktøj, værktøjsholdere og bøsninger skal regelmæssigt smøres med "Atlas Copco Tool chisel paste".

### Smøring med fedtsprøjte

**▲ ADVARSEL** Varmt indsætningsværktøj under arbejdet og i en periode efter brug.

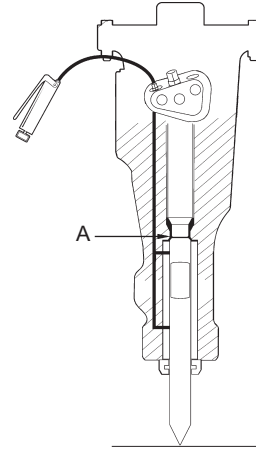
► Undgå kontakt med indsætningsværktøjet.

### ▲ FORSIGTIG Hudeksem

Ved hudkontakt kan fedt forårsage eksem.

► Undgå at få fedt på hænderne.

1. Tryk værktøjet hele vejen ind i hammeren til stoppet (A). Ellers bliver området mellem toppen af værktøjet og hammeren fyldt op med fedt.



2. Smør indsætningsværktøjets skaft rigeligt ved alt arbejde opad. Bøsningen og indsætningsværktøjet skal smøres så hyppigt, at snavs ikke kan trænge ind i hydraulikhammeren.

Når værktøjets skaft udsættes for højt tryk og høje temperaturer, vil fedt af standardtypen smelte og løbe. Brug altid "Atlas Copco Tool chisel paste", for at undgå dette.

### Centralsmøresystem

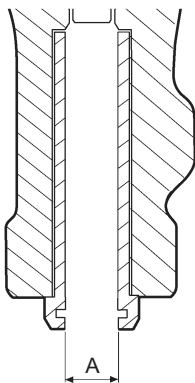
Vi anbefaler Atlas Copco's centralsmøresystem. Når dette system er monteret i bæremaskinen, pumpes der kontinuerligt fedt fra en smørebeholder i bæremaskinen til hammeren, når denne er aktiveret. Dette forøger levetiden på bøsninger og indsætningsværktøj betydeligt.

## Hver dag

1. Kontrollér værktøjsholderne og låsestiften.
2. Kontrollér, at slanger, koblinger og akkumulator er i god stand.
3. Kontrollér, at bolte og forbindelser er ubeskadigede og korrekt spændt. Se tilspændingsmomenterne i reservedelslisten.
4. Efterfyld centralsmøresystemet.

## Hver uge

1. Rengør hydraulikhammeren omhyggeligt.
2. Kontrollér værktøjsbøsningens slitage og de maksimale grænser for indvendig slitage (B).



Værktøjsbøsningen skal udskiftes, når den indvendige diameter (A) har nået den maksimale slitagegrænse, se "Slitagegrænser" og "Udskiftning af indsætningsværktøjets bøsning".

3. Kontrollér indsætningsværktøjet for slitage (C).



Indsætningsværktøjet skal udskiftes, når den udvendige diameter (B) har nået den minimale slitagegrænse. Se "Slitagegrænser".

Et for stort spillerum kan få indsætningsværktøjet til at knække og stemplet kan beskadiges.

4. Kontrollér hammerens hus og adapterpladen for revner og slitage.
5. Kontrollér, at akkumulatorens bolte er spændt korrekt. De korrekte tilspændingsmomenter fremgår af reservedelslisten.

Indsætningsværktøjet må aldrig skærpes ved smedning. Skærping må kun ske i form af fræsning, slibning eller drejning.

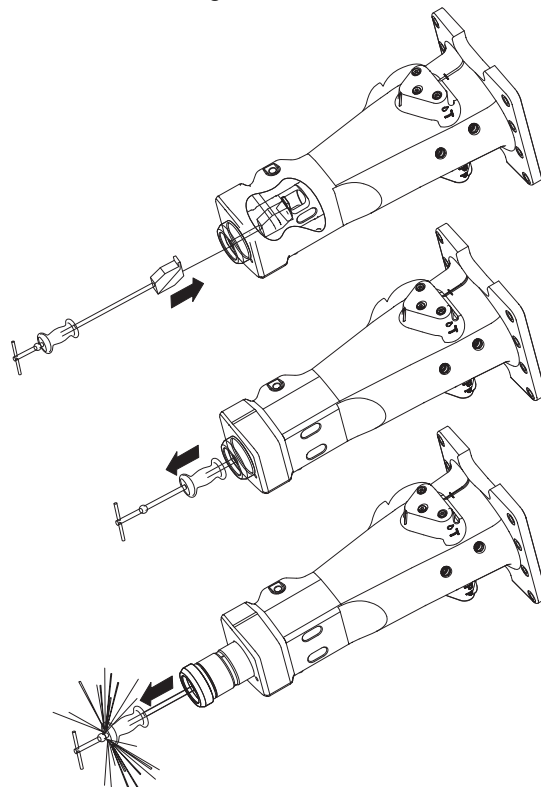
### Slitagegrænser

	B mm (in.)	C mm (in.)
SB 52	42 (1,6)	38 (1,5)
SB 102	47 (1,8)	43 (1,7)
SB 152	52 (2,0)	48 (1,9)
SB 202	68 (2,7)	63 (2,5)
SB 302	83 (3,3)	78 (3,1)
SB 452	98 (3,85)	92 (3,6)
SB 552	103 (4,1)	97 (3,8)

## Udskiftning af indsætningsværktøjets bøsning

Indsætningsværktøjets bøsning holdes på plads af værktøjsholderne. En ny bøsning har en glidepasning.

1. Hvis en slidt bøsning sidder fast, skal den slås ud med en udslagshammer.



2. Rengør omhyggeligt boringen og bøsningens anlægsflade.
3. Læg nye O-ringe i, smør og monter bøsningen.
4. Brug en tung plasthammer til indsætning af bøsningen.
5. Hold bøsningen på plads ved hjælp af værktøjsholderne.
6. Monter en ny skraberling.

## Hvert år

Service skal udføres efter 1 års kontinuerlig drift. Af sikkerhedsmæssige årsager skal service udføres af autoriseret personale på det nærmeste Atlas Copco-værksted eller på et andet værksted, der er autoriseret af Atlas Copco.

## Opbevaring

### **▲ ADVARSEL** En hammer, der tabes, kan forårsage skader

- ▶ Placér hydraulikhammeren på en sikker måde, så den ikke kan vælte og forårsage skade.

Hvis hydraulikhammeren ikke bruges i længere tid, skal der tages højde for følgende for at beskytte hydraulikhammeren mod korrosion:

1. Rengør hydraulikhammeren omhyggeligt.
2. Tag indsætningsværktøjet ud og smør den forreste del af stemplet, bøsningen og værktøjsholdernes lås.
3. Opbevar hydraulikhammeren på et tørt sted.

## Bortskaffelse

En brugt maskine skal behandles og bortskaffes således, at materialet kan genbruges i størst muligt omfang og således, at enhver negativ påvirkning af miljøet bliver så lav som muligt.

Inden en brugt maskine bortskaffes, skal den tømmes og rengøres for hydraulikolie. Resterende hydraulikolie skal deponeres således, at en eventuel negativ påvirkning af miljøet holdes på et minimum.

## Tekniske data

### Maskinens data

	SB 52	SB 102	SB 152	SB 202	SB 302	SB 452	SB 552
Bestillingsnummer	8460 0300 10	8460 0300 30	8460 0300 40	8460 0300 50	8460 0300 60	8460 0300 70	8460 0300 80
Servicevægt (kg)	55	87	140	201	310	441	521
Leveringsvægt (kg)	44	68	110	154	224	321	390
Værktøjsskaffets diameter (mm)	40	45	50	65	80	95	100

### Bæremaskinens ydeevne/effekt

	SB 52	SB 102	SB 152	SB 202	SB 302	SB 452	SB 552
Egnede bæremaskiner min.-maks. ton	0.7–1.1	1.1–3.0	1.9–4.5	2.5–6.0	4.5–9	6.5–13	9–15
Olieflow (l/min.)	15–32	16–35	25–45	35–66	50–80	55–100	65–115
Slagfrekvens (slag/min.)	960–2160	720–2280	840–1920	840–1800	600–1380	540–1260	660–1140
Arbejdstryk (bar)	100–150	100–150	100–150	100–150	100–150	100–150	100–150
Accepteret returtryk (bar)	25	18	25	25	26	21	18
Akkumulatortryk (bar)	40	40	40	40	40	40	40
Trykbegrænsningsventil (bar)	170	170	170	170	170	180	170
Vandtryk (bar)	-	-	4	4	4	4	4
Vandforbrug (l/min.)	-	-	≤5	≤5	≤9	≤9	≤9
Lufttryk (bar)	2	2	2	2	2	2	2
Luftflow (l/min.)	≤730	≤730	≤730	≤730	≤730	≤730	≤730

### Støjdeklaration

	SB 52	SB 102	SB 152	SB 202	SB 302	SB 452	SB 552
Lydtryk <sup>1</sup> dB(A)	89	87	86	90	91	94	98
Lydeffekt <sup>2</sup> dB(A)	117	115	114	118	119	122	126

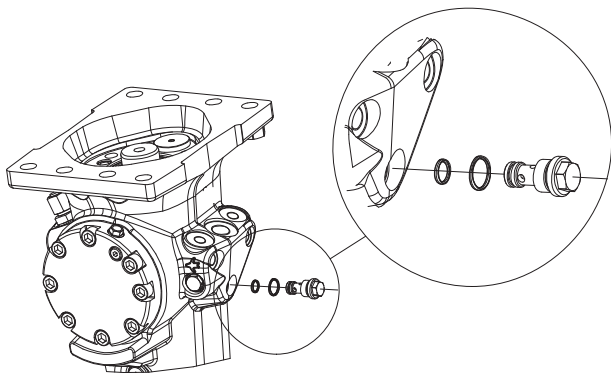
<sup>1</sup> Lydtryksniveau i henhold til EN ISO 3744 i overensstemmelse med direktiv 2000/14/EC ved 10 meters afstand.

<sup>2</sup> Garanteret lydeffekt i henhold til EN ISO 3744 i overensstemmelse med direktiv 2000/14/EC inklusive spredning i produktion.

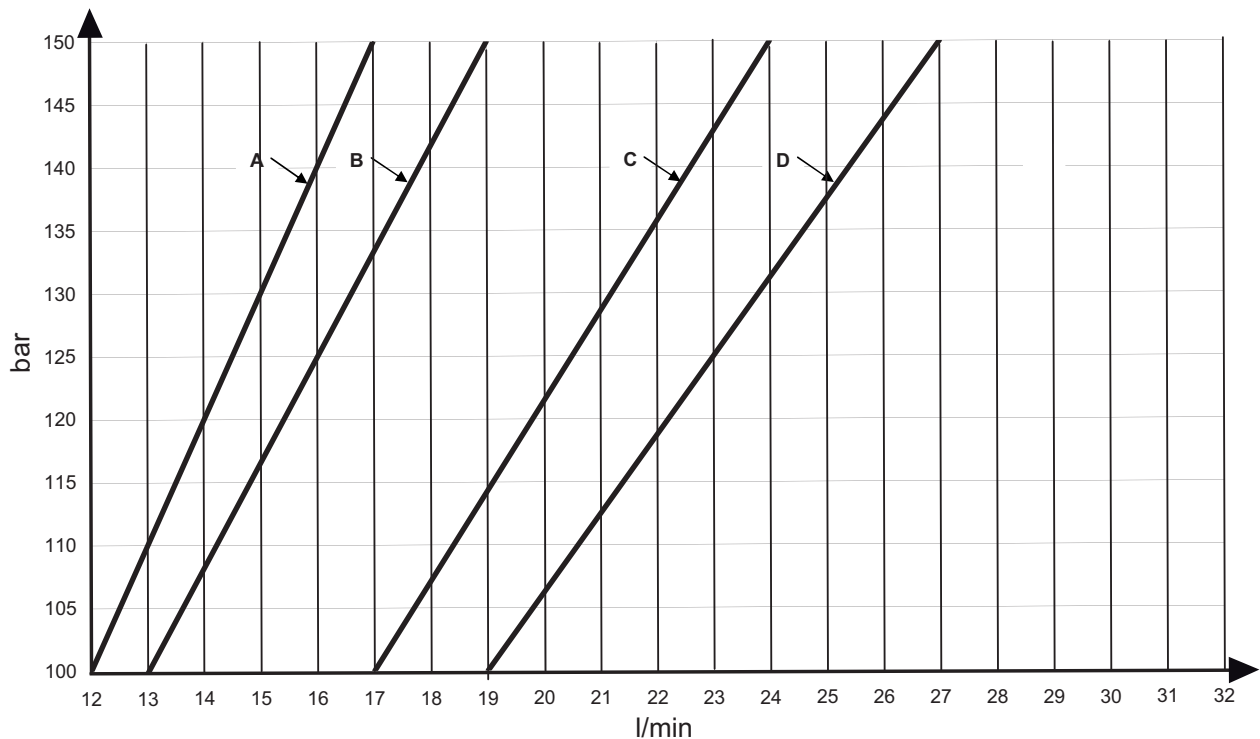
### Flowdiagrammer for korrekt arbejdstryk

Bæremaskinens olieflow kan begrænses, så det korrekte arbejdstryk opnås. Oliedyser kan bestilles fra reservedelslisten.

Diagrammerne viser olieflowet ved viskositet 32 cSt.



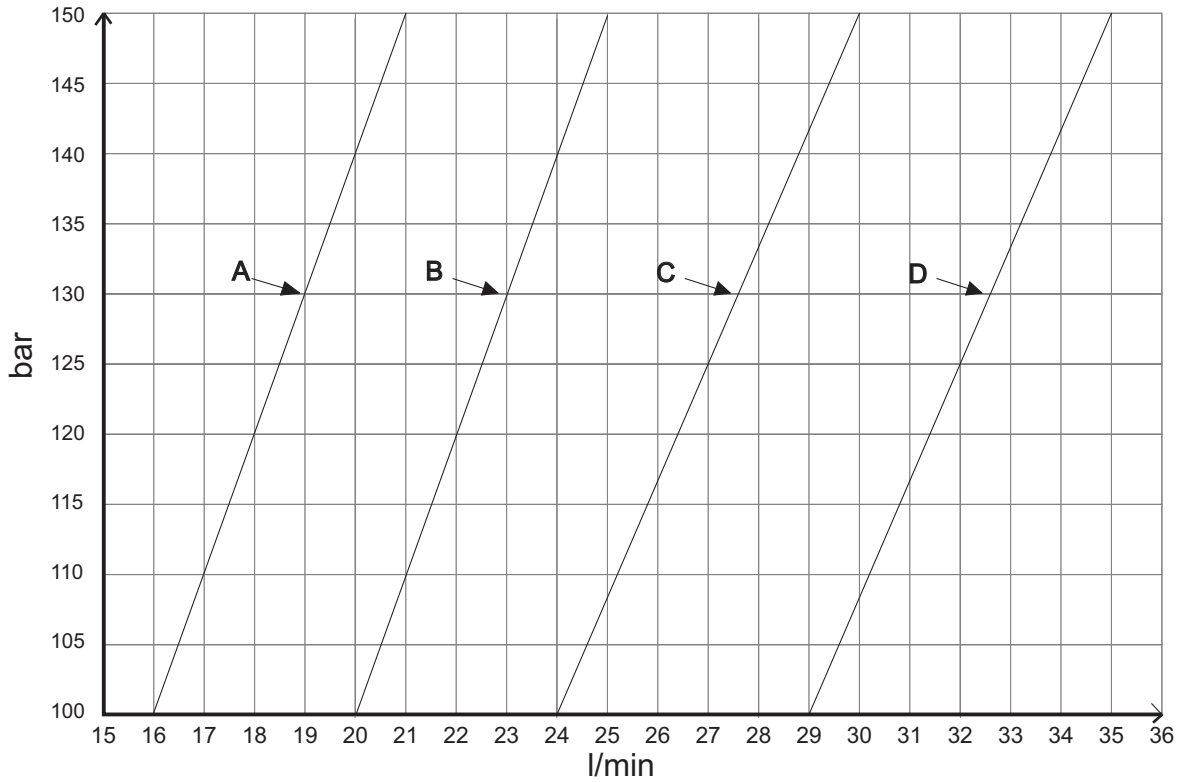
**SB 52: 100–150 bar**



Begrænsner	Bestillingsnr.	Begrænsner	Bestillingsnr.
A	3315 2875 22	C	3315 2875 36
B	3315 2875 24	D (standard)	3315 2875 37

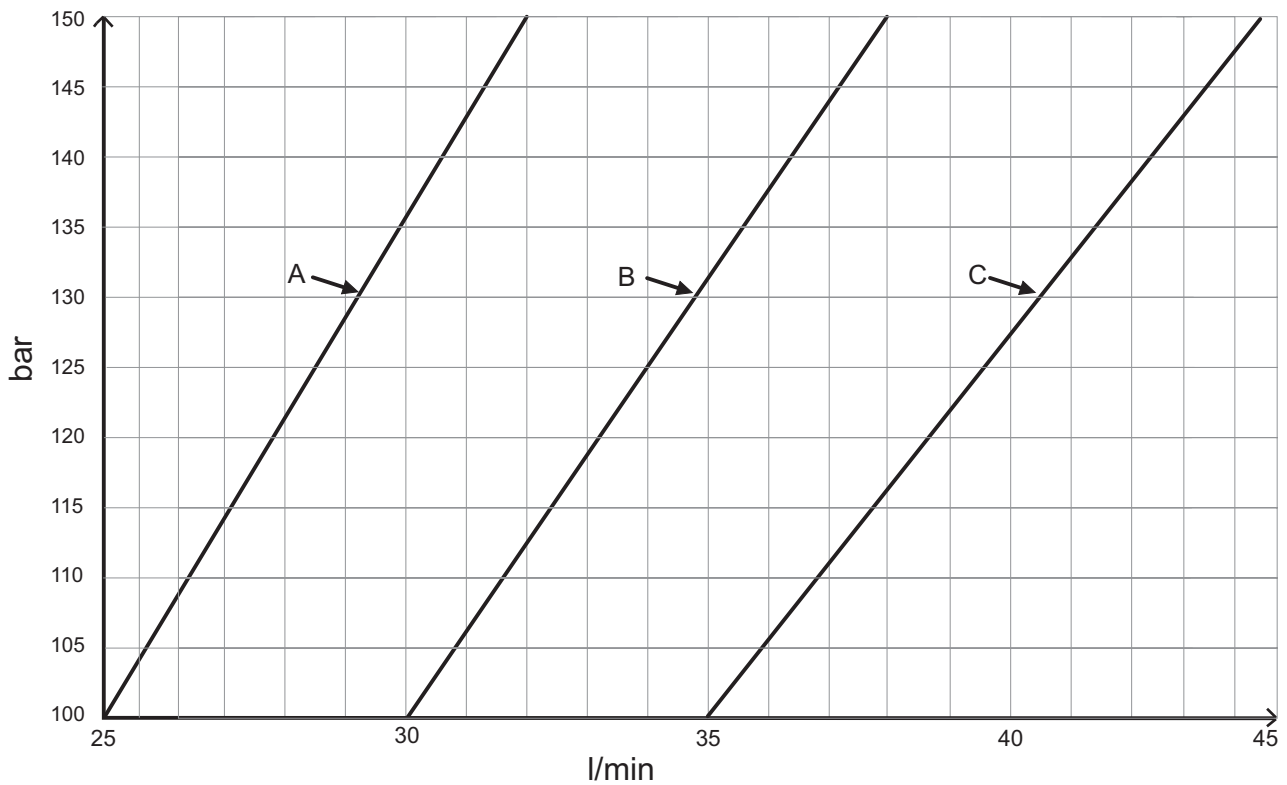


**SB 102: 100–150 bar**



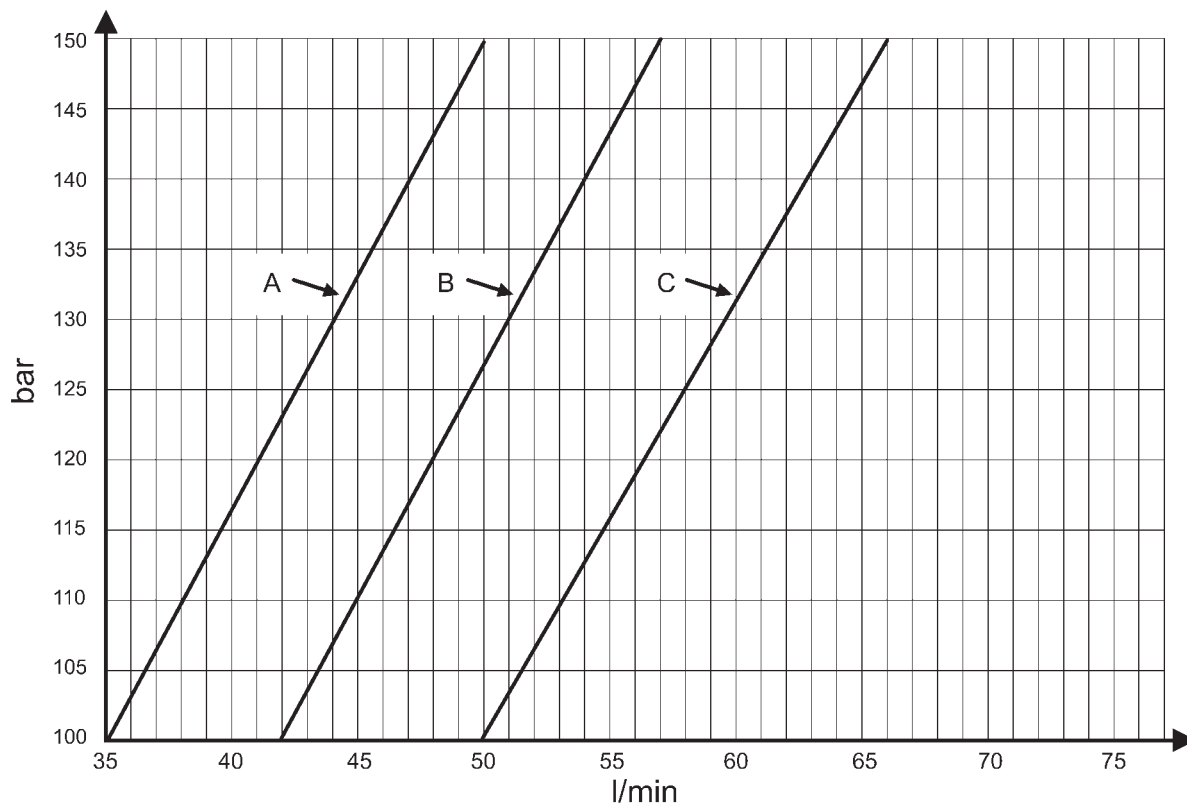
Begrænser	Bestillingsnr.	Begrænser	Bestillingsnr.
A	3315 2875 36	C	3315 2875 38
B	3315 2875 37	D (standard)	3315 2875 35

**SB 152: 100–150 bar**



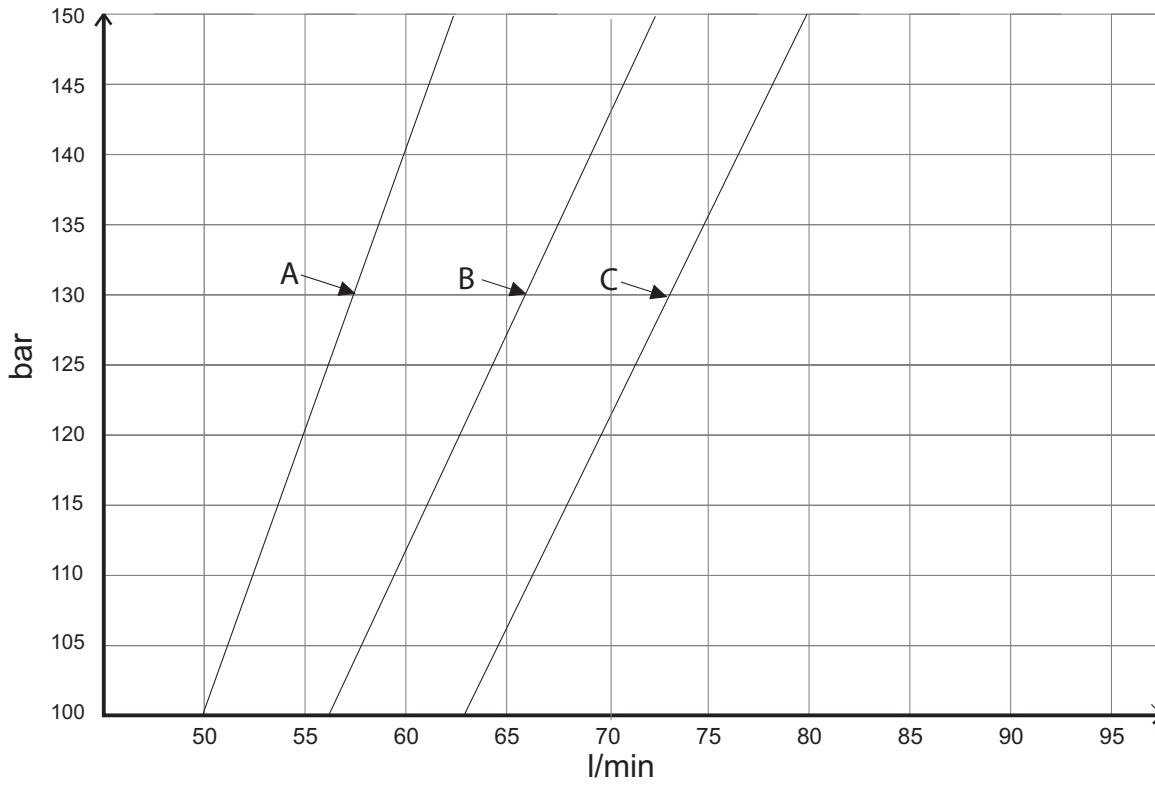
Begrænser	Bestillingsnr.	Begrænser	Bestillingsnr.
A	3315 2875 40	C (standard)	3315 2875 51
B	3315 2875 35		

**SB 202: 100–150 bar**



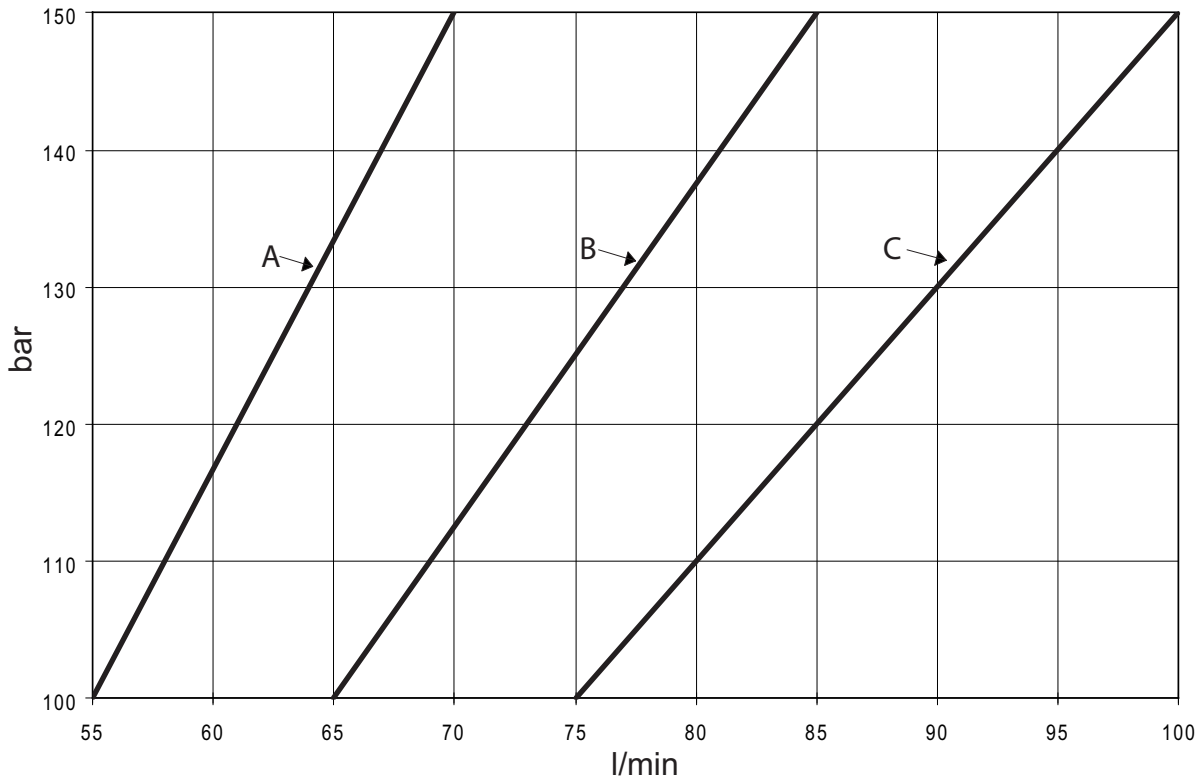
Begrænser	Bestillingsnr.	Begrænser	Bestillingsnr.
A	3315 2875 45	C (standard)	3315 3040 80
B	3315 2875 55		

**SB 302: 100-150 bar**



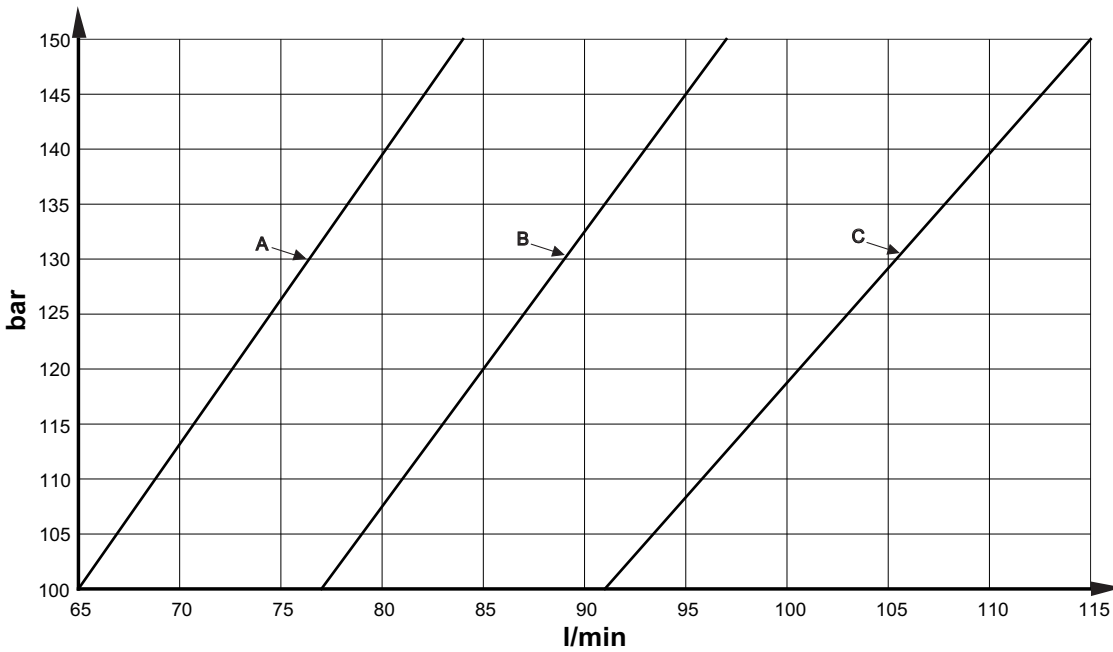
Begrænser	Bestillingsnr.	Begrænser	Bestillingsnr.
A	3315 3588 54	C (Standard)	3315 3588 63
B	3315 3152 35		

**SB 452: 100–150 bar**



Begrænser	Bestillingsnr.	Begrænser	Bestillingsnr.
A	3315 3152 35	C (Standard)	3315 3152 53
B	3315 3152 45		

**SB 552: 100–150 bar**



Begrænser	Bestillingsnr.	Begrænser	Bestillingsnr.
A	3315 3152 35	C (standard)	3315 3152 55
B	3315 3152 45		



## NORSK

## Innhold

Innledning.....	273
Om Sikkerhetsinstrukser og bruksanvisning.....	273
<b>Sikkerhetsinstrukser.....</b>	<b>274</b>
<b>Signalord.....</b>	<b>274</b>
<b>Personlige forholdsregler og kvalifikasjoner.....</b>	<b>274</b>
Transport.....	274
Installasjon, lagring, vedlikehold og avhending.....	274
Bruk.....	274
Testing.....	274
Personlig verneutstyr.....	274
Narkotika, alkohol eller legemidler.....	274
<b>Bærer, forholdsregler.....</b>	<b>275</b>
<b>Installasjon, forholdsregler.....</b>	<b>275</b>
Hydraulikksystem.....	275
Montering / demontering.....	275
<b>Drift, forholdsregler.....</b>	<b>275</b>
<b>Lagring, forholdsregler.....</b>	<b>276</b>
<b>Vedlikehold, forholdsregler.....</b>	<b>276</b>
<b>Oversikt.....</b>	<b>277</b>
<b>Konstruksjon og funksjon.....</b>	<b>277</b>
<b>Hoveddeler.....</b>	<b>277</b>
<b>Symboler og etiketter.....</b>	<b>277</b>
Dataplate.....	278
Støynivå-skilt.....	278
Symboler på akkumulatoren.....	278
<b>Transport.....</b>	<b>278</b>
<b>Løfting av hydraulikkhammeren.....</b>	<b>278</b>
<b>Installasjon.....</b>	<b>279</b>
<b>Slangere og tilkoblinger.....</b>	<b>279</b>
<b>Hydraulikkoljen.....</b>	<b>279</b>
<b>Montering.....</b>	<b>280</b>
<b>Trykkjustering.....</b>	<b>281</b>
<b>Vannspyling.....</b>	<b>281</b>
<b>Innsetningsverktøy.....</b>	<b>282</b>
Valg av riktig innsetningsverktøy.....	282
Spissmeisel.....	282
Flatmeisel.....	282
Slagdon.....	282
Montering og demontering av arbeidsverktøyet.....	282
<b>Bruk.....</b>	<b>283</b>
<b>Forberedelse før bryting.....</b>	<b>283</b>
Driftstemperatur.....	283
Motorturtall.....	283
<b>Bruk.....</b>	<b>283</b>
Knusing.....	283
Hamring under vann.....	284
<b>Vedlikehold.....</b>	<b>285</b>
<b>Annenhver time.....</b>	<b>285</b>
Smøring med smørepistol.....	285

Sentralsmøresystem. ....	285
<b>Hver dag.</b> .....	285
<b>Hver uke.</b> .....	286
Slitasjegrenser. ....	286
Skifte av arbeidsverktøyets bussing. ....	286
<b>Hvert år.</b> .....	286
<b>Lagring.</b> .....	286
<b>Avhending.</b> .....	287
<b>Tekniske data.</b> .....	288
<b>Maskindata.</b> .....	288
<b>Kapasitet.</b> .....	288
<b>Støydeklarasjon.</b> .....	288
<b>Flytskjema for riktig driftstrykk.</b> .....	288
SB 52: 100–150 bar. ....	289
SB 102: 100–150 bar. ....	290
SB 152: 100–150 bar. ....	291
SB 202: 100–150 bar. ....	292
SB 302: 100–150 bar. ....	293
SB 452: 100–150 bar. ....	294
SB 552: 100–150 bar. ....	294





## Innledning

Takk for at du valgte et produkt fra Atlas Copco. Helt siden 1873 har vi vært opptatt av å finne nye og bedre måter å møte våre kunders behov på. I årenes løp har vi utviklet nyskapende og ergonomiske produktutforminger som har hjulpet kundene til å forbedre og rasjonalisere det daglige arbeidet.

Atlas Copco har et sterkt globalt salgs- og servicenettverk bestående av kundesentra og forhandlere. Våre eksperter er høyt utdannede fagfolk med inngående produktkunnskaper og erfaring. I alle verdenshjørner kan vi tilby kundestøtte og ekspertise for å sikre at våre kunder kan jobbe med maksimal effektivitet til enhver tid.

For mer informasjon, gå inn på: [www.atlascopco.com](http://www.atlascopco.com)

## Om Sikkerhetsinstrukser og bruksanvisning

Formålet med instruksjonene er å gi deg kunnskap om hvordan du bruker den hydrauliske hammeren på en effektiv, sikker måte. Instruksjonene gir deg også råd og viser deg hvordan du utfører vedlikehold på den hydrauliske hammeren.

Før du bruker hydraulikkhammeren for første gang må du lese disse instruksjonene nøye og forstå alle sammen.

## Sikkerhetsinstrukser

For å redusere faren for alvorlig skade eller død for deg selv eller andre, bør du lese disse sikkerhetsinstruksjonene nøye før du tar maskinen i bruk.

Heng opp disse sikkerhetsinstruksjonene på arbeidsplassene, gi de ansatte kopier og sørg for at alle leser sikkerhetsinstruksjonene før de betjener eller vedlikeholder maskinen.

Følg alle sikkerhetsforskrifter.

## Signalord

Signalordene Fare, Advarsel og Forsiktig har følgende betydning:

<b>FARE</b>	Viser til en farlig situasjon som vil føre til alvorlig skade eller død dersom den ikke unngås.
<b>ADVARSEL</b>	Viser til en farlig situasjon som kan føre til alvorlig skade eller død dersom den ikke unngås.
<b>FORSIKTIG</b>	Viser til en farlig situasjon som kan føre til mindre eller moderate skader dersom den ikke unngås.

## Personlige forholdsregler og kvalifikasjoner

Vedlikehold eller bruk av maskinen må kun gjøres av kvalifiserte og opplærte personer. Bruk alltid sunn fornuft og god vurderingsevne.

### Transport

Transport av hydraulikkhammeren bare foretas av personer som:

- er autorisert til å betjene en kran eller gaffeltruck i overensstemmelse med gjeldende nasjonale retningslinjer,
- har kjennskap til alle relevante nasjonale sikkerhetsinstruksjoner og ulykkesforebyggende instruksjoner
- og har lest og forstått sikkerhets- og transportkapitlene i denne håndboken.

## Installasjon, lagring, vedlikehold og avhending

Installasjon, lagring, vedlikehold og avhending av hydraulikkhammeren skal bare foretas av personer som:

- har kjennskap til alle relevante nasjonale sikkerhetsinstruksjoner og ulykkesforebyggende instruksjoner
- og har lest og forstått Sikkerhetsinstrukser og bruksanvisning.

### Bruk

Bruk av hydraulikkhammeren skal bare foretas av kvalifiserte bæremaskinoperatører.

Bæremaskinoperatører er kvalifisert dersom de:

- er opplært i å betjene en bæremaskin i overensstemmelse med nasjonale retningslinjer,
- har kjennskap til alle relevante nasjonale sikkerhetsinstruksjoner og ulykkesforebyggende instruksjoner
- og har lest og forstått Sikkerhetsinstrukser og bruksanvisning.

### Testing

Bare profesjonelle teknikere skal forstå testing av hydraulikkhammeren. Teknikeren må være autorisert til å betjene en hydraulikksystem i henhold til nasjonale retningslinjer.

### Personlig verneutstyr

Bruk alltid godkjent verneutstyr. Operatører og alle andre personer i arbeidsområdet skal bruke verneutstyr, bestående av minimum:

- Beskyttelseshjelm
- Hørselsvern
- Slagbestandige vernebriller med sidebeskyttelse
- Åndedrettsvern når det er nødvendig
- Vernehansker
- Skikkelig vernestøvler

### Narkotika, alkohol eller legemidler

#### ▲ ADVARSEL Narkotika, alkohol eller legemidler

Narkotika, alkohol og legemidler svekker dømmekraften og konsentrasjonsevnen. Dårlig reaksjonsevne eller feilaktige vurderinger kan føre til alvorlige ulykker, også med døden til følge.

- ▶ Bruk aldri maskinen når du er trøtt eller påvirket av narkotika, alkohol eller legemidler.
- ▶ Ingen personer som påvirket av narkotika, alkohol eller legemidler skal bruke maskinen.

## Bærer, forholdsregler

Før bruk eller transport av bæremaskinen med den hydrauliske hammeren påmontert, må du lese nøye gjennom produsentens sikkerhetsinformasjon og brukerveiledning for bæremaskinen.

Forsikre deg om at bæreren er utstyrt med passende beskyttelsesutstyr, inkludert en beskyttende skjerm foran operatøren.

Den hydrauliske hammeren skal bare monteres på en bærer med tilstrekkelig lastekapasitet.

Bæremaskin uten tilstrekkelig lastekapasitet vil ikke gi de anbefalte stabilitetskrav og kan velte under bruk av den hydrauliske hammeren og forårsake skade og havari.

## Installasjon, forholdsregler

### Hydraulikksystem

#### ▲ FARE Trykkgass, eksplosjonsfare

Akkumulatoren opprettholder normalt trykk selv om hydraulikksystemet er slått av. Å demontere akkumulatoren uten først å ha sluppet ut nitrogengassen kan forårsake alvorlig personskade eller død.

- ▶ Høytrykksakkumulatoren skal bare fylles med nitrogen (N<sub>2</sub>).
- ▶ Kun autorisert personell er kvalifisert til å arbeide med akkumulatoren.

#### ▲ ADVARSEL Hydraulikkolje ved høyt trykk

Tynne stråler med hydraulikkolje under høyt trykk kan trenge gjennom huden og forårsake permanent skade.

- ▶ Kontakt alltid lege hvis hydraulikkolje har trengt gjennom huden.
- ▶ Bruk aldri fingrene ved lekkasjekontroll av hydrauliske væsker.
- ▶ Hold ansiktet unna alle former for mulige lekkasjer.

#### ▲ ADVARSEL Hydraulikkolje

Hydraulikkoljesøl kan forårsake brannskår, uhell ved at det forårsaker glatte underlag, og kan dessuten skade miljøet.

- ▶ Ta vare på utsølt hydraulikkolje og behandle det i henhold til dine lokale sikkerhets og miljøbestemmelser.
- ▶ Aldri demonter den hydrauliske hammeren når hydraulikkoljen er varm.
- ▶ La aldri hydraulikkslanger for feste til hydraulikkhammeren gå gjennom førerhuset.

#### ▲ FORSIKTIG Hudeksem

Hydraulikkolje kan forårsake eksem når den kommer i kontakt med huden.

- ▶ Unngå å få hydraulikkolje på hendene.
- ▶ Bruk alltid beskyttelseshansker når du arbeider med hydraulikkolje.

### Montering / demontering

#### ▲ ADVARSEL Bevegelige deler

Fare for knuste hender og fingre.

- ▶ Kontroller aldri borehull og -passasjer med hendene eller fingrene.
- ▶ Alle forflytninger av bommen skal bare gjøres i samarbeid med personalet som monterer den hydrauliske hammeren.
- ▶ Hvis den hydrauliske hammeren er montert på en hurtigkobling, må du forsikre deg om at den er skikkelig låst og at all risiko for at den hydrauliske hammeren løsner, elimineres.

## Drift, forholdsregler

#### ▲ FARE Eksplosjonsfare

Dersom et innsetningsverktøy kommer i kontakt med eksplosive gasser, kan en eksplosjon forekomme. Ved bruk med visse materialer kan gnister og tenning forekomme. Eksplosjoner kan føre til alvorlige skader, også med døden til følge.

- ▶ Bruk aldri maskinen i eksplosive omgivelser.
- ▶ Bruk aldri maskinen i nærheten av brannfarlige materialer, gasser eller støv.
- ▶ Forsikre deg om at det ikke er noen uoppdagete gasskilder eller eksplosiver.

#### ▲ ADVARSEL Driftstrykk

Hvis maksimum driftstrykk for hydraulikkhammeren overskrides, kan akkumulatoren bli overbelastet, noe som kan resultere i materielle og personlige skader.

- ▶ Kjør alltid hydraulikkhammeren med riktig arbeidstrykk. Se „Tekniske data“.

#### ▲ ADVARSEL Silikafare

Eksposering av krystallinsk silika (kalt silikastøv) som et resultat av knusing eller andre aktiviteter med stein, betong, asfalt eller andre materialer, kan forårsake silikose (en alvorlig lungesykdom), silikoserelaterte sykdomer, kreft eller død. Silika er en hovedkomponent i stein, sand og mineralmalm.

- ▶ SB-hammere er klargjort for støvinn sug for å redusere silikaeksposering.

**▲ ADVARSEL Støvfare**

Noen typer støv, røyk eller andre luftbårede materialer som utvikles under bruk av maskinen kan inneholde kjemikalier som ifølge staten California kan forårsake kreft, fødselsdefekter eller annen reproduktiv skade. Noen eksempler på slike kjemikalier er:

- Krystallinsk silika, sement og andre murprodukter.
  - Arsenikk og krom fra kjemisk behandlet gummi.
  - Bly fra blybasert maling.
- ▶ for å redusere din eksponering til disse kjemikaliene, arbeid i et godt ventilert område og arbeid med godkjent sikkerhesutstyr, som støvmasker som er spesielt konstruert for å filtrere mikroskoiske partikler.

**▲ ADVARSEL Elektrisk støt**

Hydraulikkhammeren er ikke isolert mot elektriske støt. Dersom hydraulikkhammeren kommer i kontakt med strømkretser eller strømkilder, er det fare for alvorlig skade eller død.

- ▶ Arbeid aldri i nærheten av strømkretser eller strømkilder.
- ▶ Forviss deg om at det ikke er noen skjulte strømkretser i arbeidsområdet.

**▲ ADVARSEL Prosjektiler**

Under knusing, kan splinter eller andre partikler opptre som et prosjektil og forårsake personskade ved å treffe operatøren eller andre personer. Små objekter som faller fra store høyder kan forårsake omfattende skader.

- ▶ Sperr av arbeidsområdet.
- ▶ Før oppstart må du forsikre deg om at ingen personer er i risikoområdet, 20 meter horisontalt og vertikalt fra den hydrauliske hammeren.
- ▶ Slå av hydraulikkhammeren umiddelbart dersom personer kommer inn i fareområdet.

**▲ ADVARSEL Støyfare**

Høyt lydnivå kan forårsake permanent hørselskade.

- ▶ Bruk hørselvern i henhold til faglig helse og sikkerhetsreglementer.

## Lagring, forholdsregler

**▲ ADVARSEL Hydraulikkhammeren og arbeidsverktøyet er tunge ting**

- ▶ Hydraulikkhammeren og arbeidsverktøyet må oppbevares slik at det ikke er fare for at de kan falle eller rulle ned.

## Vedlikehold, forholdsregler

**▲ ADVARSEL Utilsiktet start**

Utilsiktet start av hydraulikkhammeren kan føre til alvorlige skader.

- ▶ Følg instruksjonen i bærerhåndboken for å forhindre utilsiktet start av hydraulikkhammeren.
- ▶ Installering av en startsikring på hydraulikkhammeren må gjøres på en slik måte at man unngår utilsiktet oppstart.
- ▶ En fotpedal på bæremaskinen må utrustes med et beskyttelsesdeksel.

**▲ ADVARSEL Hydraulikksystem under høyt trykk**

Vedlikeholdsarbeid på en hydraulikkhammer under trykk kan føre til alvorlige skader. Koblinger kan plutselig løsne, deler kan plutselig bevege seg og hydraulikkolje kan sprute ut.

- ▶ Sørg for at hydraulikksystemet er uten trykk før det foretas vedlikeholdsarbeid på hydraulikkhammeren eller bæreren.

**▲ ADVARSEL Maskinmodifisering**

Enhver maskinmodifisering kan føre til fysiske skader for deg selv og andre.

- ▶ Foreta aldri modifiseringer av maskinen.
- ▶ Bruk alltid originale deler og tilbehør godkjent av Atlas Copco.

**▲ FORSIKTIG Varmt innsetningsverktøy**

Tuppen på innsetningsverktøyet blir vamt når det brukes. Berøring kan føre til brannsåre.

- ▶ Et varmt innsetningsverktøy må ikke berøres.
- ▶ Vent til innsetningsverktøyet er avkjølt før du utfører vedlikeholdsarbeid.

## Oversikt

For å redusere faren for alvorlig skade eller død for deg selv og andre, les avsnittet Sikkerhetsinstruksjoner på de foregående sidene av denne håndboken før du tar maskinen i bruk.

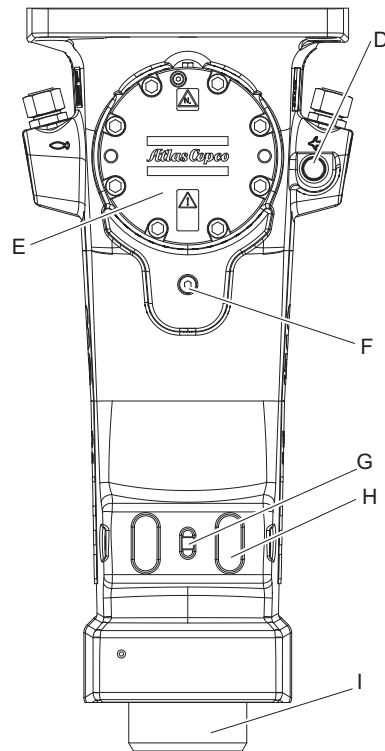
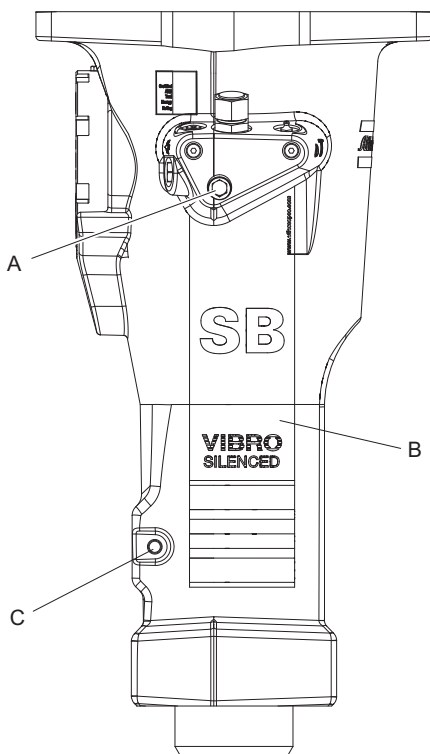
## Konstruksjon og funksjon

SB er en serie av riggmonterte hydrauliske hammere designet for alle typer demoleringsarbeid.

SB står for „Solid body“ som betyr at hammerens hoveddel er laget i ett stykke. Akumulatoren er integrert i maskinkroppen.

Hydraulikkhammeren blir operert fra førerhuset til bæreren ved å bruke bærerens hydrauliske system. Hammerfrekvensen blir kontrollert av en oljegenomstrømning fra bæreren.

## Hoveddeler

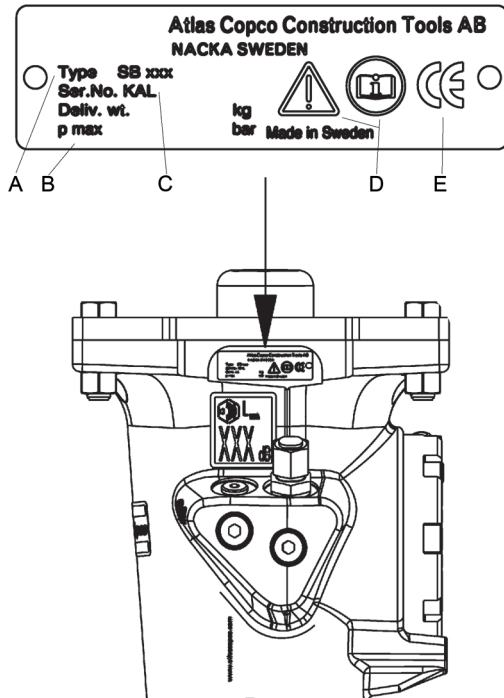


- A. Struper
- B. Hammerkroppen
- C. Låsebolt
- D. Trykkbegrensningsventil
- E. Akkumulator
- F. Oljedreneringsplugg
- G. Låsbuffer
- H. Verktøyholder
- I. Bøssing

## Symboler og etiketter

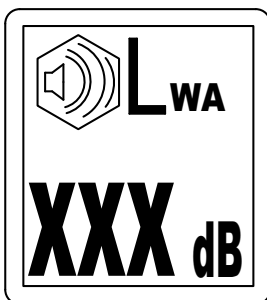
Maskinen er utstyrt med skilt og klebemerker med viktig informasjon om personlig sikkerhet og maskinvedlikehold. Skiltene og klebemerkenene skal alltid være lett leselige. Nye skilt og merker kan bestilles ved å bruke reservedelslisten.

## Dataplate



- A. Maskintype
- B. Maksimum hydraulikktrykk
- C. Serienummer
- D. Faresymboler sammen med boksymboler betyr at brukeren må lese sikkerhetsinstrukser og bruksanvisning før maskinen brukes for første gang.
- E. CE-symbolet betyr at maskinen er CE-godkjent. Se CE-samsvarserklæringen som er medsendt maskinen for ytterligere informasjon.

## Støynivå-skilt



Bildet indikerer garantert støynivåindikator i henhold til EU-direktiv 2000/14/EC. Se „Tekniske data” for eksakt lydnivå.

## Symboler på akkumulatoren



Les nøye gjennom overhalinginstruksjonene før service eller bytting.



Akkumulatoren må bare fylles med nitrogen.

**BEMÆRK!** Kun autorisert personell tillates å arbeide med akkumulatoren.

## Transport

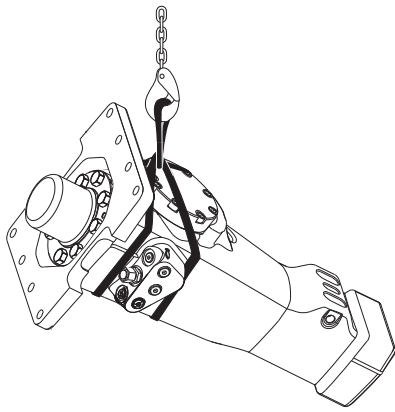
## Løfting av hydraulikkhammeren

**▲ ADVARSEL** En fallende hammer kan forårsake skader

- Hammeren må plasseres i en sikker posisjon der den ikke kan velte og forårsake skade.

Sjekk nøye at bæreren er stabil nok når du transporterer eller gjør vedlikehold eller annet arbeid på den hydrauliske hammeren.

Den hydrauliske hammeren blir levert i en kasse. For å løfte den hydrauliske hammeren på en sikker måte, må løftestroppen tilpasses på måten som vist i bildet under.



## Installasjon

Les driftsveiledningen og sikkerhetsinstruksen fra produsenten av bæreren før hydraulikkhammeren monteres eller bæreren betjenes. Følg alle instruksjoner.

Bæreren må ha et hydraulikksystem som passer for drift av hammeren.

Hvis bæreren er for stor for hydraulikkhammeren kan det føre til brudd på arbeidverktøyet og økt slitasje. Se „tekniske data“ for valg av en egnet bærer.

Hydraulikksystemets sikkerhetsutstyr må sjekkes for kvalitet (EC-merke, etc.), egnethet og funksjonalitet av en profesjonell/autorisert kontrollør før bruk.

## Slanger og tilkoblinger

### ▲ ADVARSEL Piskende hydraulikkslange

Hydrauliske slanger under trykk kan piske uten kontroll hvis skruer er løse eller blir løsnet. En piskende hydraulisk slange kan forårsake alvorlig skade.

- ▶ Reduser trykket i det hydrauliske systemet før du løsner tilkoblingen for en hydraulisk slange.
- ▶ Trekk til mutrene på tilkoblingene til de hydrauliske slangene med nødvendig tiltrekkingsmoment.

Nippeltype: Atlas Copco ORFS standardnippel. Nippeldimensjonene finnes i reservedelslisten.

Kvaliteten på hydraulikkslangene skal være 2SC (i henhold til EN 857) eller bedre når du kobler til hammeren til bæreren. Hvis det blir brukt hurtigkoblinger, anbefaler vi bruk av „Flat Face“ hurtigkobling. Denne typen er robust og enkel å reholde. Hurtigkoblignens trykkklasse må være i samsvar med bærerenes arbeidstrykk.

Rengjør alltid hurtigkoblignene før montering eller demontering. Plugg alltid igjen slanger og slangenippler med tette og rene plugger ved demontering.

### Slangekoblinger

#### Høyre (sett fra operatørens sete)

	Luftspyling	Sentralsmøring	Tank, returledning
Symbol			
SB 52	G 1/4"	G 1/4"	G 3/8"
SB 102	G 1/4"	G 1/4"	G 1/2"
SB 152	G 1/4"	G 1/4"	G 1/2"
SB 202	G 1/4"	G 1/4"	G 1/2"
SB 302	G 1/4"	G 1/4"	G 3/4"
SB 452	G 1/4"	G 1/4"	G 3/4"
SB 552	G 1/4"	G 1/4"	G 1"

### Slangekoblinger

#### Venstre (sett fra operatørens sete)

	Vann	Trykk til hammeren	Trykk for ContiLube®II
Symbol			
SB 52	-	G 3/8"	G 1/4"
SB 102	-	G 1/2"	G 1/4"
SB 152	G 1/4"	G 1/2"	G 1/4"
SB 202	G 1/4"	G 1/2"	G 1/4"
SB 302	G 1/4"	G 3/4"	G 1/4"
SB 452	G 1/4"	G 3/4"	G 1/4"
SB 552	G 1/4"	G 1"	G 1/4"

### Tiltrekkingsmoment for trykk- og returslange

SB 52	60 Nm
SB 102	150 Nm
SB 152	150 Nm
SB 202	150 Nm
SB 302	210 Nm
SB 452	210 Nm
SB 552	300 Nm

## Hydraulikkoljen

Normalt kan hydraulikkoljetyper i bæreren også brukes for hydraulikkhammeren.

Når en hydraulikkhammer er koblet til bæreren, blir hydraulikkoljen raskere skitten. Sjekk og følg bærerenes instruksjoner for oljeskift og filterskift. Det er vanlig å skifte oljefiltret oftere når en hydraulikkhammer er montert.

SB-hydraulikkhammerer er utstyrt med en oljetappeplugg for å tappe ut all olje før demontering. Dette for å redusere risikoen for oljesøl.

**BEMÆRK!** Når SB hammeren er levert inneholder den noe mineralbasert hydraulisk olje. Før tilkobling til bærerenes hydrauliske system, må du sjekke hvilken hydraulisk olje bæreren

bruker. Blanding av forskjellige typer hydraulisk olje kan ødelegge smørekvaliteten, noe som kan føre til maskinskade.

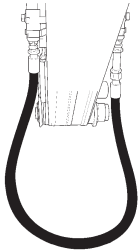
## Montering

### ▲ ADVARSEL En fallende hammer kan forårsake skader

- ▶ Hammeren må plasseres i en sikker posisjon der den ikke kan velte og forårsake skade.

Sirkuler hydraulikkoljen før du kobler til hydraulikkhammeren. Dette for å sikre at hydraulikkoljen er ren. Bruk samme rutine når du skifter hydraulikkoeslangen. For mer informasjon, se „Hydraulikkolje“.

1. Koble til trykk og returslangen.

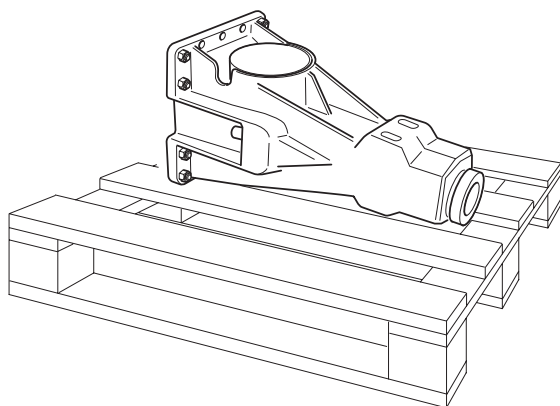


2. Kjør hydraulikkoljen gjennom bærerens oljefilter i ca 3 minutter for sikre at slangen er ren.

### Forberedelse

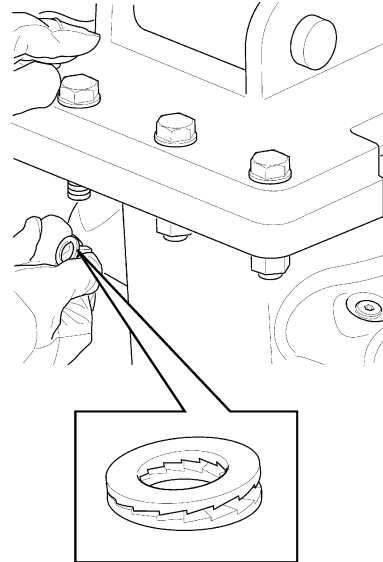
1. Plasser hammeren i en posisjon der det er enkelt og trygt å montere en adapterplate.

**BEMÆRK!** Monter hammeren slik at akkumulatoren vender mot førerkabinen, for å redusere faren for skade på akkumulatoren.



### Montering av adapterplaten

2. Dersom Tough lock-skruen fra Atlas Copco ikke er tilgjengelig, anbefaler vi å bruke NORD-LOCK™-skiver under bolt og mutter (NORD-LOCK™ er et registrert varemerke for Nord-Lock AB i USA og/eller andre land.).

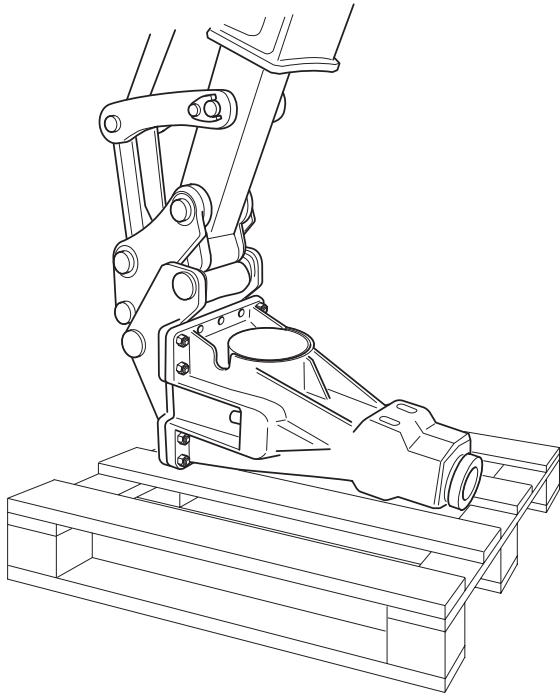


Adapterplate	Tiltrekkingsmoment
SB 52	290 Nm
SB 102	200 Nm
SB 152	200 Nm
SB 202	200 Nm
SB 302	170 Nm
SB 452	400 Nm
SB 552	400 Nm



*Tilkobling av hammer til bæreren*

3. Plasser hammeren på en sikker plass ved installasjon.



Trykkinntaket på hydraulikkhammeren er på venstre side når du står mot akkumulatoren. Hvis trykkslangen er på den andre siden av gravemaskinarmen kan du krysse slangene eller snu hydraulikkhammeren.

4. Senk forsiktig stangen til bommen i adapteren.

**▲ ADVARSEL Bevegelige deler kan knuse og kutte**

- Kontroller aldri borehull og -passasjer med hendene eller fingrene.

En assistent må dirigere bevegelsen av gravemaskinarmen til hullet i gravemaskinarmen er rett på de som er i adapteren.

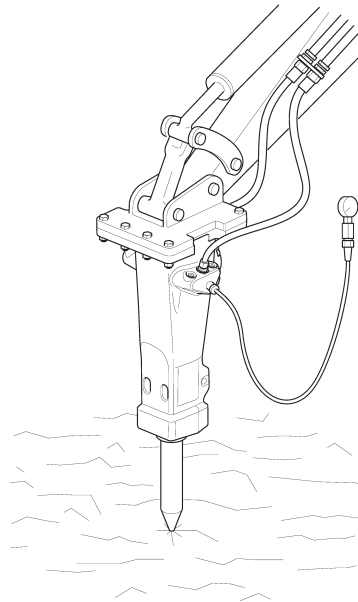
Bli enig med assistenten om tydelige tegnsignaler for bruk under monteringen.

5. Sett inn tappen og lås.
6. Løft opp hydraulikkhammeren med bommen.
7. Strekk ut stempelsylinderen til hullet i tersen er direkte på de i adapteren. Sett inn en terspinne og lås.
8. Etter å ha montert hammeren, strekk ut og trekk tilbake stempelsylinderen forsiktig til sin fulle lengde i hver retning. Det er viktig at sylinderen kan trekkes ut og inn uten noen vanskeligheter.

## Trykkjustering

SB-hammere er utstyrt med en trykkbegrensningsventil som sikrer hammeren. Driftstrykket til den hydrauliske hammeren (maks. 150 bar) blir sjekket og justert av en trykkventil når den hydrauliske hammeren kjøres.

- Hvis driftstrykket er mer enn 150 bar må trykket reduseres. Reduser oljegjennomstrømningen fra bæreren til trykket er under 150 bar. Denne justeringen er viktig for å sikre at den innebygde trykkventilen i hammeren ikke åpnes og lekker olje tilbake til tanken og skaper varmemproblemer.
- Hvis driftstrykket er mellom 130 - 150 bar, er det normalt ikke nødvendig med noen justeringer.
- Hvis bærerens oljegjennomstrømning er for lav for å opprettholde driftstrykket trengs struperen i hammeren å skiftes. Se flytskjemaene i „Tekniske data“ for å velge den beste struperen for din applikasjon.



Plasser hydraulikkhammeren vertikalt mot et massivt fundament eller lignende for å justere trykket ved bruk av en trykkmåler.

## Vannspyling

Hydraulikkhammeren er forberedt for vannspyling, denne funksjonen er for å binde støvet når man utfører demolieringsoperasjoner.

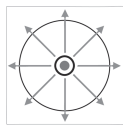
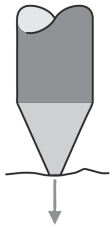
Når man kobler til vannspylingen må pluggen i front på hammeren byttes med en vanddyse. Se reservedelslisten for bestilling av en ny vanddyse.

Bruk en ¼" hydraulikkslange med en JIC-kobling som en egnet vannslange. Vannforbruket ved 4 bar er 6,6 l/min. Kontakt nærmeste autoriserte verksted for ytterligere informasjon.

## Innsetningsverktøy

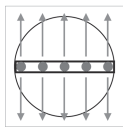
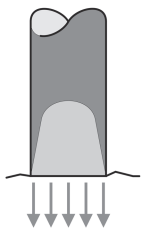
### Valg av riktig innsetningsverktøy

#### Spissmeisel



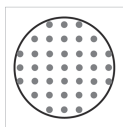
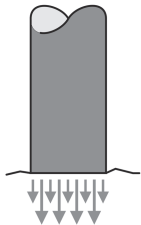
- Veldig god gjennomtrengning
- Jevn spredning av kilehandlingen
- Ingen torsjonseffekt

#### Flatmeisel



- Veldig god spredning av kilehandlingen
- God gjennomtrengning
- Torsjonseffekt

#### Slagdon



- Veldig god energipåføring
- Optimal bryteeffekt
- Ingen torsjonseffekt

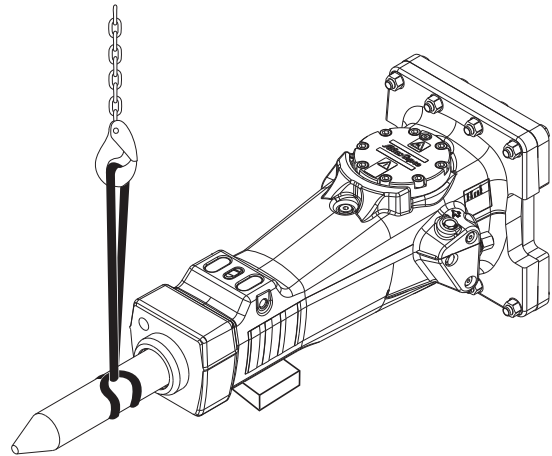
### Montering og demontering av arbeidsverktøyet

#### ⚠ ADVARSEL Motoren går

Bytting av insatt verktøy mens bærerens motor kjører kan forårsake alvorlig skade.

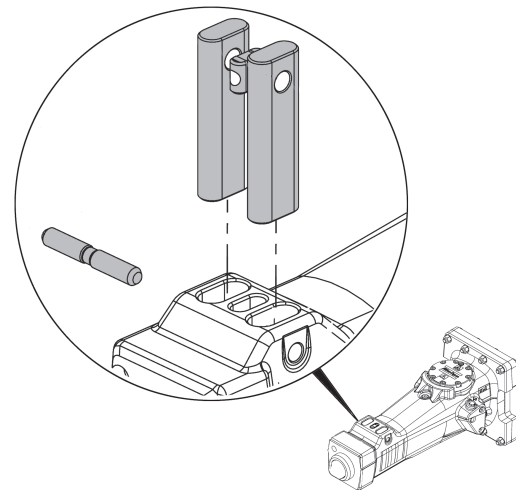
► Sikre bæreren mot utilsiktet aktivering.

1. Slå av bærerens motor før du bytter det innsatte verktøyet.
2. Monter og demonter det innsatte verktøyet med en løftestropp for å redusere risikoen for knuste kroppsdeler.



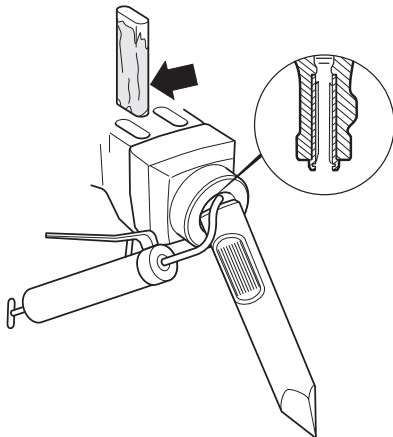
Noen arbeidsverktøy er tunge, løft derfor arbeidsverktøyet på en sikker måte.

3. Sjekk at låsebufferet ikke er utslitt eller skadet.

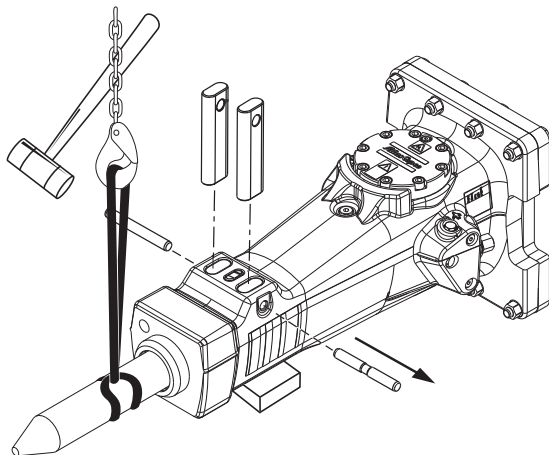


Låsebufferet i verktøyets låsesystem er laget av plastikk og kan smelte når det arbeides i et varmt miljø. Hvis dette oppstår, skift standard låsepinne. Du vil finne en alternativ låsepinne for å bruke isteden for i reservedelslisten.

4. Rengjør og smør bøssingen rikelig. Dette er spesielt viktig når det blir montert et nytt innsettsverktøy.



5. Monter innsettsverktøyet.  
6. Roter innsettsverktøyet for å spre smøringen.  
7. Monter verktøyholderne, en om gangen.  
8. Kjør inn låsepinnen til låsebufferet festes i sporet for låsepinnen.



Innsettsverktøyet demonteres i motsatt rekkefølge av monteringen.

## Bruk

**BEMÆRK!** Hydraulikkhammeren eller arbeidsverktøyet skal ikke brukes som et løfteverktøy. Når du løfter tunge gjenstander skal du bruke kroken på gravemaskinarmen.

## Forberedelse før bryting

### Driftstemperatur

Driftstemperaturen på hydraulikkhammeren er mellom -20 °C og +80 °C.

### ▲ FORSIKTIG Temperaturrisiko

Hydraulikkhammeren og hydraulikkoljesystemet på bæreren kan bli ødelagt dersom hydraulikkhammeren brukes ved høyere eller lavere temperaturer.

- ▶ Ikke start hydraulikkhammeren før hydraulikkoljen har oppnådd anbefalt driftstemperatur.
- ▶ Dersom utetemperaturen er under -20 °C bør du varme opp arbeidsverktøyet og hydraulikkhammeren før bruk.
- ▶ Dersom oljetemperaturen overskrider +80 °C må du ikke bruke hydraulikkhammeren, ettersom oljekvaliteten da blir utilstrekkelig, noe som forkorter levetiden til pakninger og o-ringer drastisk.

### Motorturtall

For høyt motorturtall fører bare til økt drivstofforbruk og økt oljetemperaturen. Tilpass motorens turtall til anbefalt verdi for å oppnå riktig oljegenomstrømning.

## Bruk

### Knusing

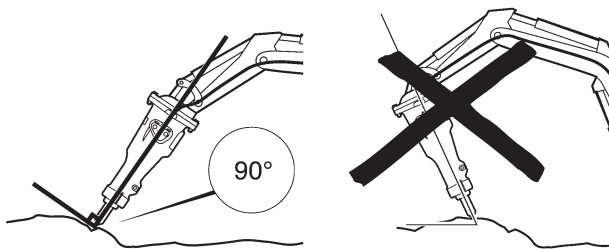
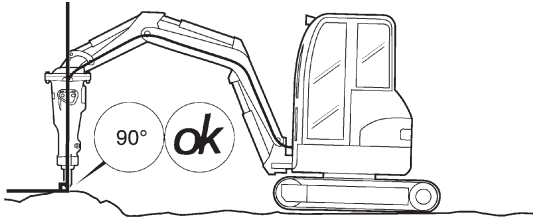
#### ▲ FORSIKTIG Fare for maskin og verktøy

Kontinuerlig bruk på full utstrekning/tilbaketrekning kan resultere i skade på de hydrauliske sylindrene.

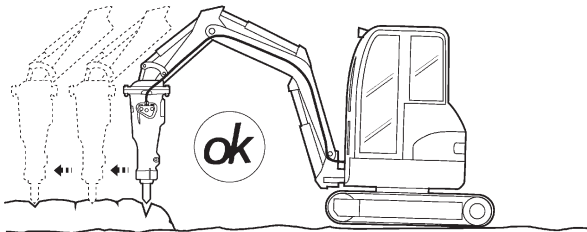
- ▶ Bruk aldri den hydrauliske hammeren med sylindrene fullt utstret eller tilbaketrasket.
- ▶ Anbring bæreren og/eller løftebommen for å unngå full utstretke eller tilbaketrakne sylindere.
- ▶ Vær oppmerksom og se på hva du gjør.

Ikke start den hydrauliske hammeren før både bæreren og den hydrauliske hammeren er i riktig posisjon.

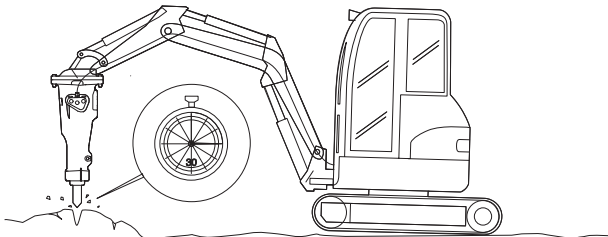
- ◆ Rett den hydrauliske hammeren i en posisjon 90° mot objektet.



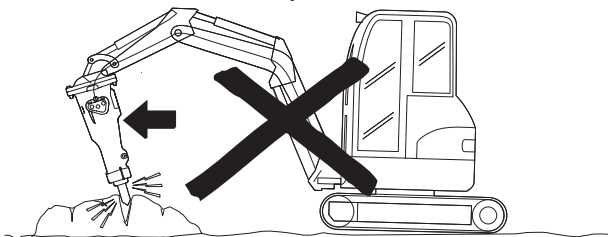
- ◆ Start nær kanten og arbeid i retning mot midten. Ikke start i midten av store objekter.



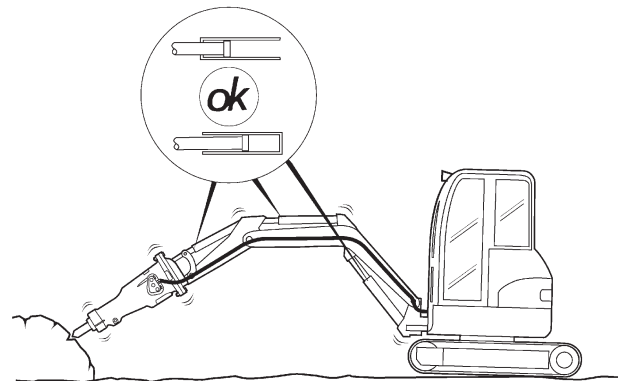
- ◆ Aldri kjør hydraulikkhammeren lenger enn 15 sekunder på samme sted. Flytt arbeidsverktøyet til en ny posisjon hvis objektet ikke knuses.



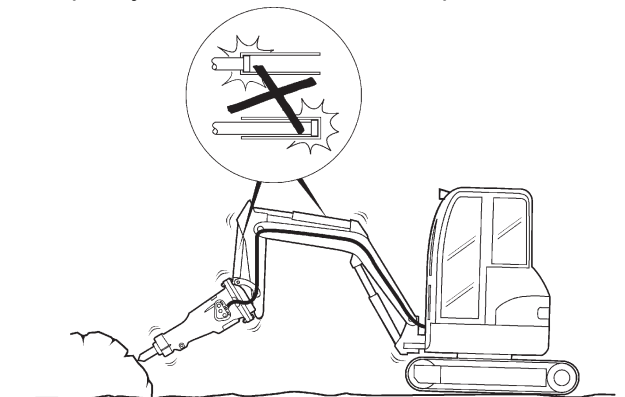
- ◆ Ikke bend arbeidsverktøyet.



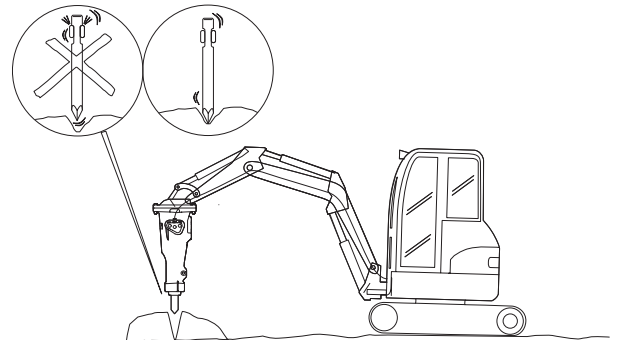
- ◆ Bruk riktig matetrykk. Når matetrykket er riktig arbeider den hydrauliske hammeren mest effektivt og vibrasjonene er på et minimum. Slitasjen på bøssing og verktøyet blir også holdt på et minimum.



- ◆ Lytt etter lyden fra hydraulikkhammeren. Lyden forandres dersom noe er i bend mellom verktøyet og bøssingen.
- ◆ Ikke kjør hammeren med bomsylindrene i endeposisjon. Det kan føre til skade på bæreren.

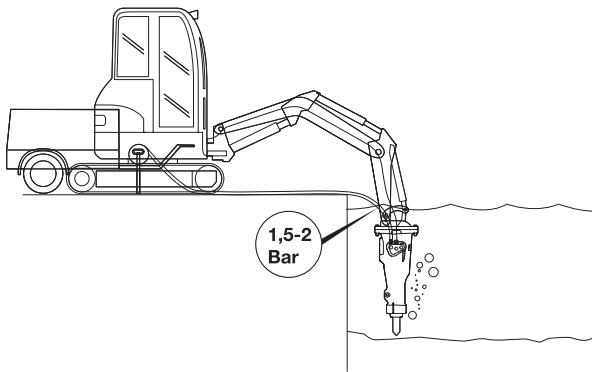


- ◆ Unngå tomgangsslag, det forårsaker slitasje både på arbeidsverktøyet og verktøyholderne.



### Hamring under vann

Hydraulikkhammerer kan brukes under vann.



Når man arbejder under vann må den hydrauliske hammeren bli matet med trykkluft for å holde området mellom stemplet og arbeidsverktøyet fritt for vann. Hvis området mellom stempelet og arbeidsverktøyet blir fylt med vann, kan det trenge inn til hydraulikkoljesystemet når den hydrauliske hammeren starter.

Lufftrykket skal være 1,5 - 2 bar på luftinntaket på hammeren. Du finner luftforbruket i „Tekniske data“. Egnert luftslange er en 1/4" hydraulisk slange med JIC-kobling. Kontakt nærmeste autoriserte verksted for nærmere instruksjoner.

## Vedlikehold

Det er viktig at det blir utført regelmessig vedlikehold for å opprettholde hammerens maksimale effektivitet.

Utstyr som er utilstrekkelig vedlikeholdt kan være en fare for både brukere og personer nær hammeren. Forsikre deg om at de faste vedlikeholdsrutinene med smøring blir fulgt for å holde utstyret trygt og effektivt.

## Annenhver time

Smør arbeidsverktøyet, verktøyholderen og bøssingene regelmessig med Atlas Copco meiselpasta.

### Smøring med smørepistol

**▲ ADVARSEL** Arbeidsverktøyet er varmt under bruk og i en periode etter bruk.

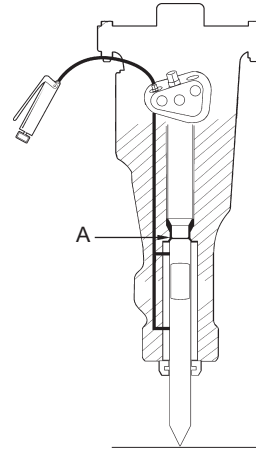
► Unngå kontakt med arbeidsverktøyet.

### ▲ FORSIKTIG Hudeksem

Smøreolje kan forårsake eksem når den kommer i kontakt med huden.

► Unngå å få smøreolje på hendene.

1. Skyv verktøyet inn i hammeren helt til det bunner (A). Hvis ikke vil avstanden mellom toppen av verktøyet og hammeren bli fylt opp med smøring.



2. Smør skaffet på arbeidsverktøyet rikelig under alle operasjoner oppover. Bøssingen og arbeidsverktøyet må smøres så ofte at det ikke kommer skitt inn i hydraulikkhammeren.

Når arbeidsverktøyet blir utsatt for høyt trykk og høye temperaturer vil en standard smøring smelte og forsvinne. For å unngå dette må du alltid bruke Atlas Copco meiselpasta.

### Sentralsmøresystem

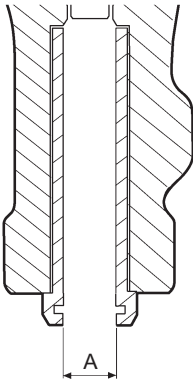
Vi anbefaler Atlas Copcos sentralsmøresystem. Når dette systemet er tilpasset bæreren, blir smøring pumpet konstant fra smørebeholderen til bæreren til hammeren når hammeren er aktiv. Dette øker livslengden til verktøybøssingene og arbeidsverktøyet betydelig.

## Hver dag

1. Sjekk verktøyholderen og låsepinnen.
2. Sjekk at slanger, koblinger og akkumulator er i god stand.
3. Sjekk at bolter og koblinger er fri for skade og er skikkelig festet. Se pådragsmomentene i reservedelelisten.
4. Etterfyll sentralsmøresystemet.

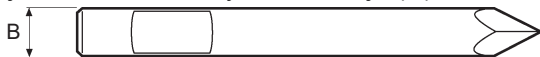
## Hver uke

1. Rengjør den hydrauliske hammeren nøye.
2. Sjekk verktøybøssingenes slitasje og maksimum indre slitasjegrenser (B).



Verktøybøssingene må skiftes når den indre diameteren (A) har nådd maksimum slitasjegrense, se „Slitasjegrenser“ og „Skift arbeidsverktøybøssingene“.

3. Sjekk arbeidsverktøyet for slitasje (C).



Arbeidsverktøyet må skiftes når den ytre diameter (B) har nådd sin maksimale slitasjegrense. Se „Slitasjegrenser“.

For stor klaring kan føre til at arbeidsverktøyet brytter og at stempelen kan bli skadet.

4. Sjekk hammerkroppen og adapterplaten for brudd og slitasje.
5. Sjekk at akkumulatorens skruer er skikkelig festet. Riktig kraftmoment finnes i reservedellisten.

Arbeidsverktøyet skal aldri kvesses med smiing. Kvessingen skal bare utføres med valsing, sliping eller dreining.

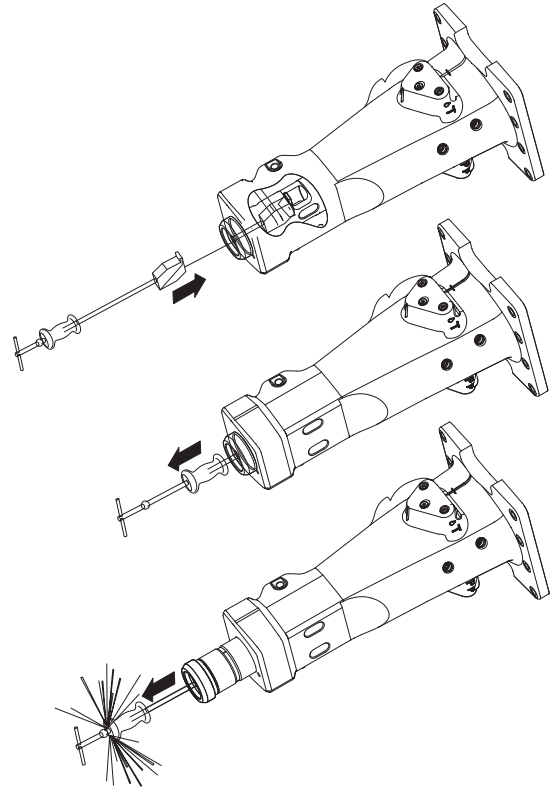
### Slitasjegrenser

	B mm (in.)	C mm (in.)
SB 52	42 (1,6)	38 (1,5)
SB 102	47 (1,8)	43 (1,7)
SB 152	52 (2,0)	48 (1,9)
SB 202	68 (2,7)	63 (2,5)
SB 302	83 (3,3)	78 (3,1)
SB 452	98 (3,85)	92 (3,6)
SB 552	103 (4,1)	97 (3,8)

## Skifte av arbeidsverktøyets bussing

Arbeidsverktøy-bøssingen blir holdt på plass av verktøyholderne. En ny bøssing har en smettetilpassing.

1. Hvis en utslitt bøssing sitter fast, bruk en hammer for å fjerne den.



2. Rengjør hullet og bøssingenes område nøye.
3. Monter nye O-ringer, smør og monter bøssingen.
4. Bruk en plastikkslegge for å sette inn bøssingene.
5. Hold bøssingen på plass med verktøyholderene.
6. Monter en ny skrapering.

## Hvert år

Overhaling skal gjøres etter et år med konstant drift. Overhaling skal, av sikkerhetsgrunner, utføres av autorisert personell og ved det nærmeste Atlas Copco-verksted eller av andre Atlas Copco-autoriserte verksteder.

## Lagring

**▲ ADVARSEL** En fallende hammer kan forårsake skader

- Hammeren må plasseres i en sikker posisjon der den ikke kan velte og forårsake skade.

Hvis den hydrauliske hammeren ikke skal brukes på en tid, må følgende punkter utføres for å beskytte den hydrauliske hammeren mot korrosjon:

1. Rengjør den hydrauliske hammeren nøye.
2. Demonter arbeidsverktøyet og smør fremdelen av stemplet, bøssingen og verktøyholderlåsen.
3. Lagre den hydrauliske hammeren på et tørt sted.

## Avhending

En brukt maskin må behandles og avhendes på en slik måte at flest mulig deler av materialet kan resirkuleres og at negativ påvirkning på miljøet blir så lavt som mulig.

Før en brukt maskin kasseres må den tømmes og renses for all hydraulisk olje. Hydraulisk olje som er til overs må deponeres og all negativ inflytelse på miljøet må holdes så lavt som mulig.



## Tekniske data

### Maskindata

	SB 52	SB 102	SB 152	SB 202	SB 302	SB 452	SB 552
Bestillingsnummer	8460 0300 10	8460 0300 30	8460 0300 40	8460 0300 50	8460 0300 60	8460 0300 70	8460 0300 80
Driftsvekt (kg)	55	87	140	201	310	441	521
Leveringsvekt (kg)	44	68	110	154	224	321	390
Verktøyskafets diameter (mm)	40	45	50	65	80	95	100

### Kapasitet

	SB 52	SB 102	SB 152	SB 202	SB 302	SB 452	SB 552
Passende bærer min - maks tonn	0.7–1.1	1.1–3.0	1.9–4.5	2.5–6.0	4.5–9	6.5–13	9–15
Oljegjennomstrømning (l/min)	15–32	16–35	25–45	35–66	50–80	55–100	65–115
Slagfrekvens (støt/min)	960–2160	720–2280	840–1920	840–1800	600–1380	540–1260	660–1140
Driftstrykk (bar)	100–150	100–150	100–150	100–150	100–150	100–150	100–150
Akseptert mottrykk (bar)	25	18	25	25	26	21	18
Akkumulatortrykk (bar)	40	40	40	40	40	40	40
Trykkbegrensningsventil (bar)	170	170	170	170	170	180	170
Vanntrykk (bar)	-	-	4	4	4	4	4
Vanngjennomstrømning (l/min)	-	-	≤5	≤5	≤9	≤9	≤9
Lufttrykk (bar)	2	2	2	2	2	2	2
Luftgjennomstrømning (l/min)	≤730	≤730	≤730	≤730	≤730	≤730	≤730

### Støydeklarasjon

	SB 52	SB 102	SB 152	SB 202	SB 302	SB 452	SB 552
Lydtrykk <sup>1</sup> dB(A)	89	87	86	90	91	94	98
Lydeffekt <sup>2</sup> dB(A)	117	115	114	118	119	122	126

<sup>1</sup> Lydtrykksnivået i henhold til EN ISO 3744 i henhold til direktiv 2000/14/EC ved 10 meter avstand.

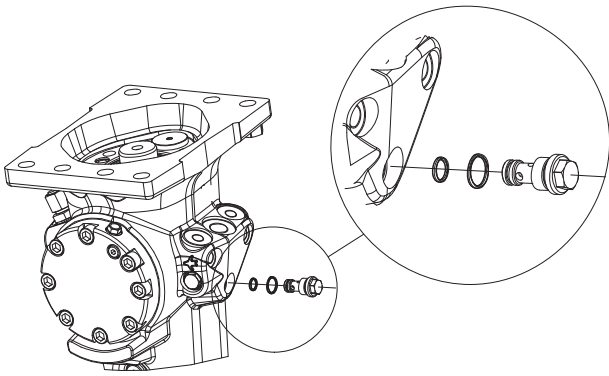
<sup>2</sup> Garantert lydeffekt i henhold til EN ISO 3744 i henhold til direktiv 2000/14/EC inklusive spredning i produksjon.

### Flytskjema for riktig driftstrykk

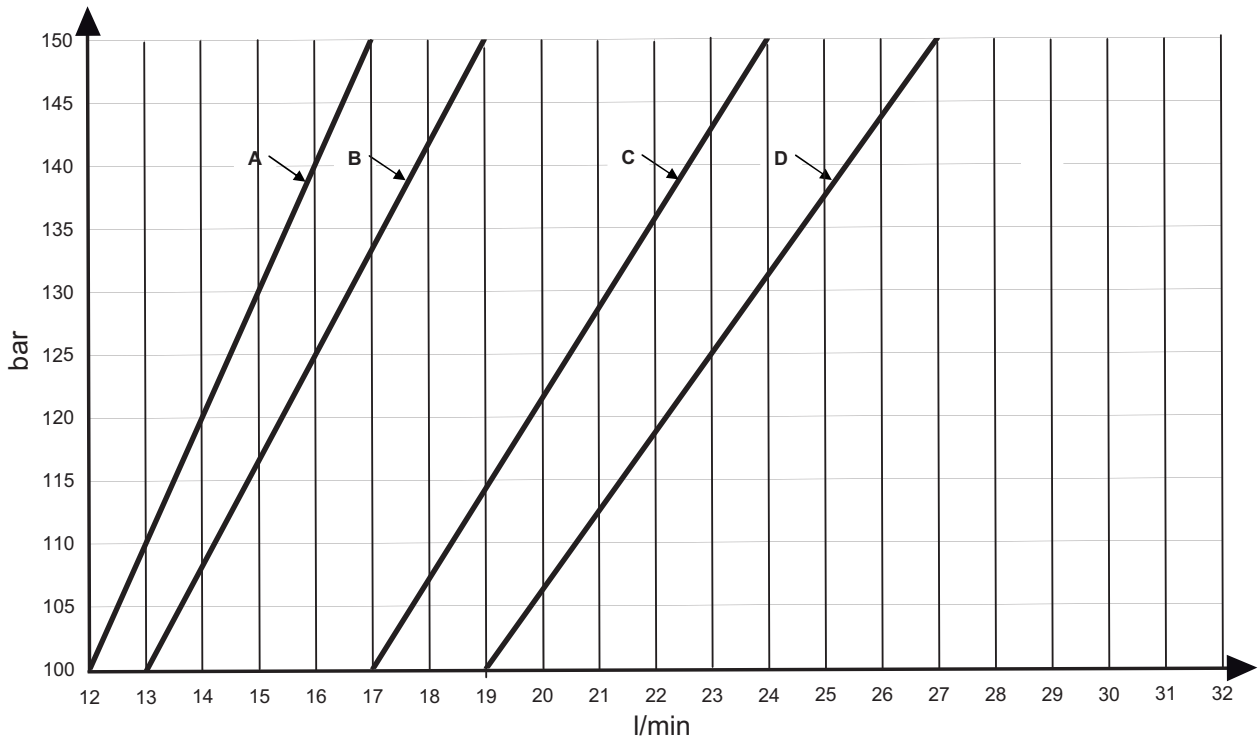
Bæremaskinens oljegjennomstrømning kan strupes for å oppnå riktig driftstrykk. Strupeventil kan bestilles fra reservedellisten.

Diagrammene viser oljestrøm ved viskositet 32 cSt.



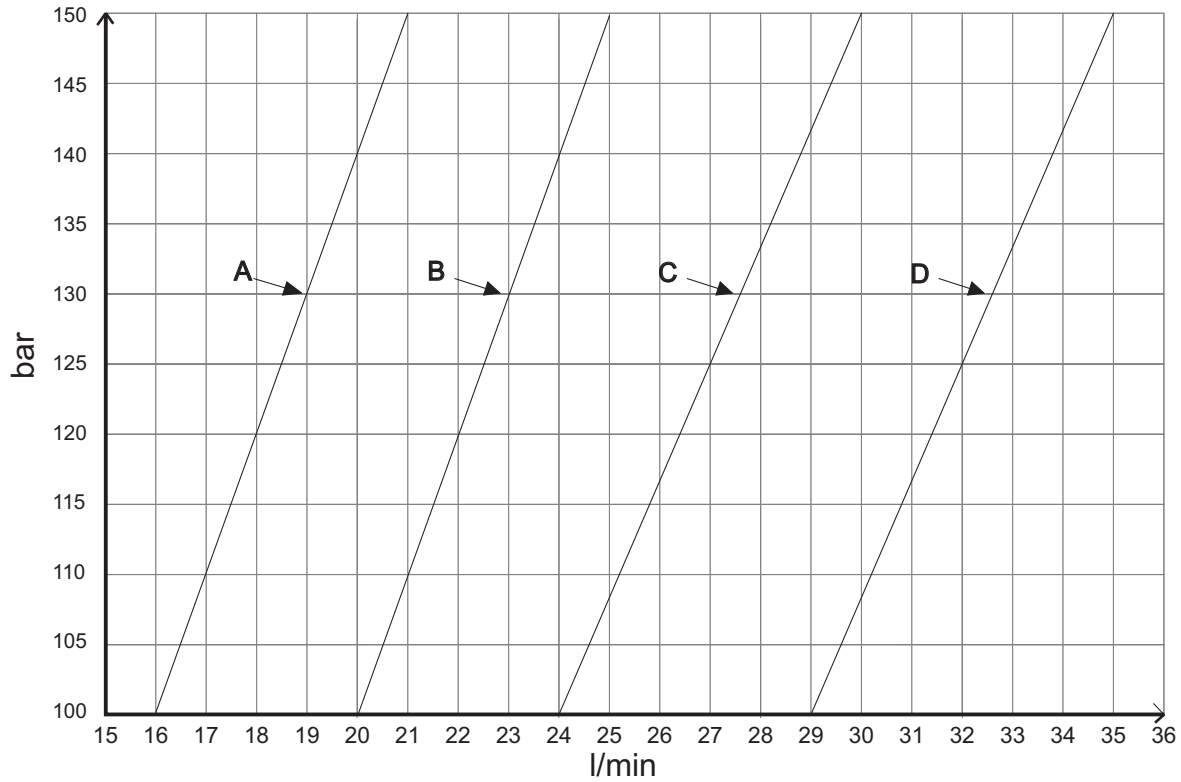


**SB 52: 100–150 bar**



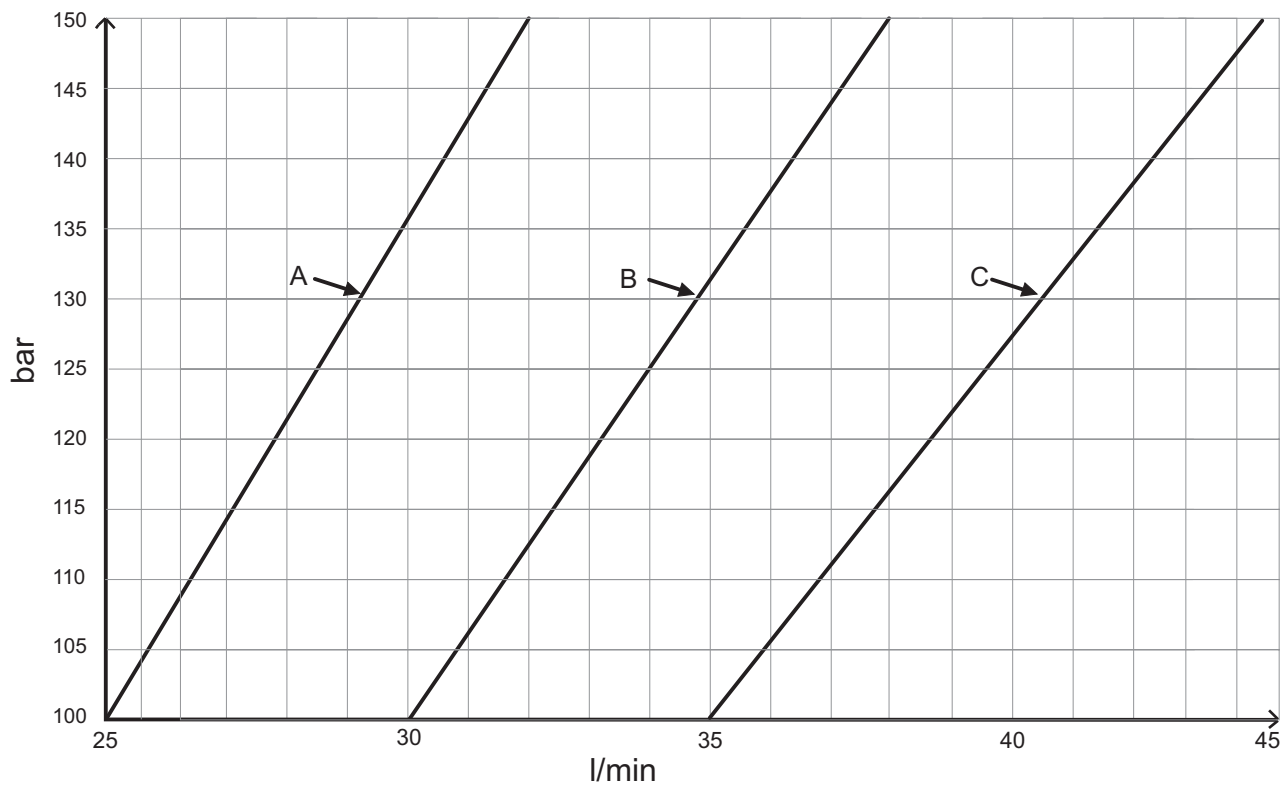
Struper	Bestillings nummer	Struper	Bestillings nummer
A	3315 2875 22	C	3315 2875 36
B	3315 2875 24	D (Standard)	3315 2875 37

**SB 102: 100–150 bar**



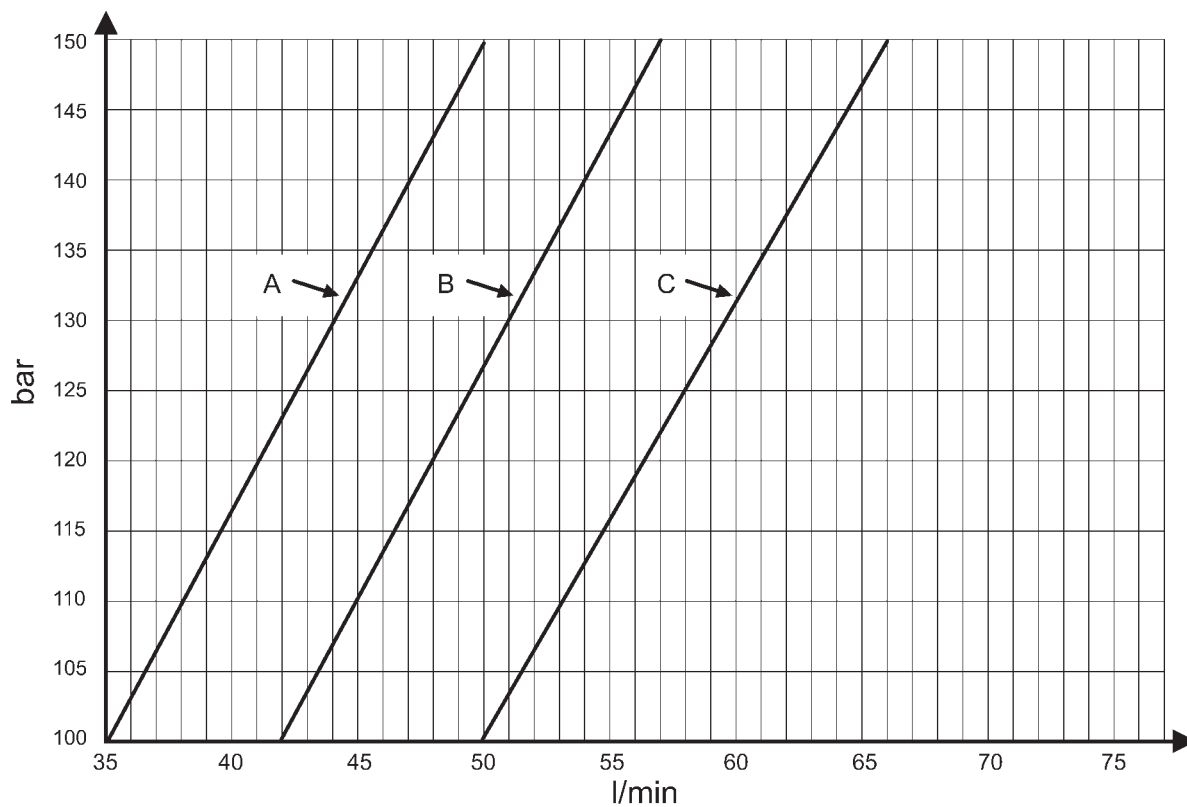
Struper	Bestillings nummer	Struper	Bestillings nummer
A	3315 2875 36	C	3315 2875 38
B	3315 2875 37	D (Standard)	3315 2875 35

**SB 152: 100–150 bar**



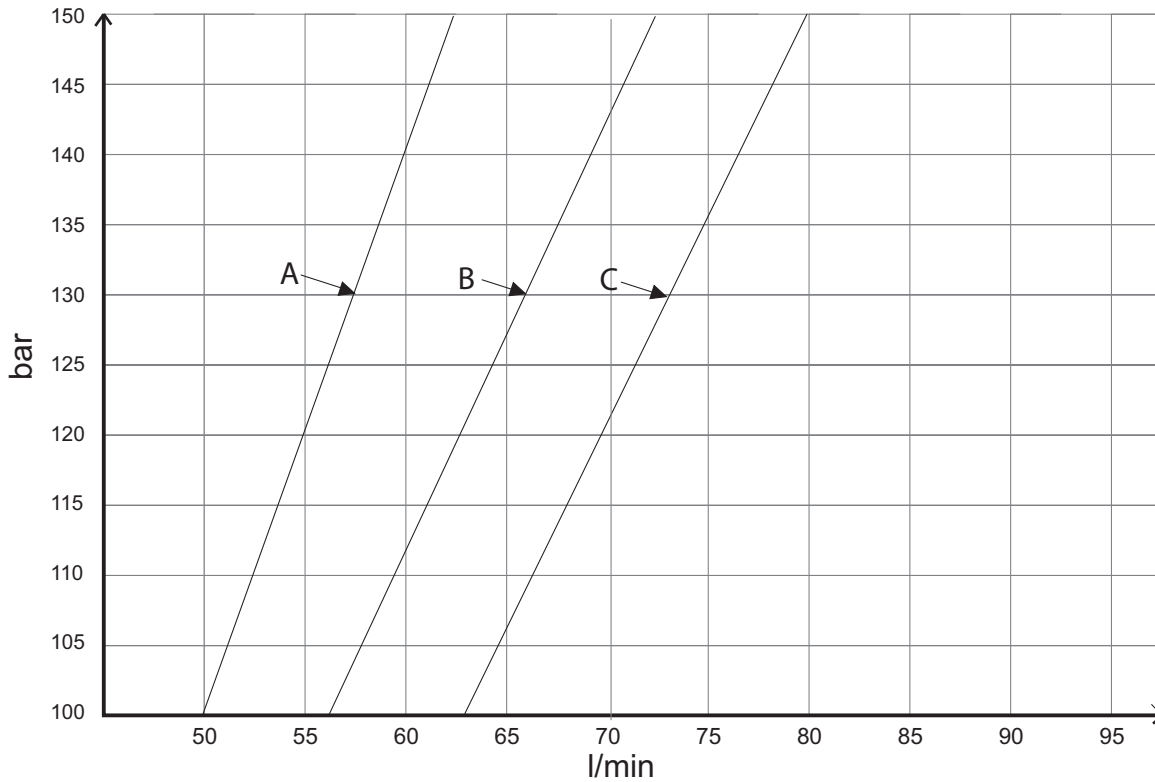
Struper	Bestillings nummer	Struper	Bestillings nummer
A	3315 2875 40	C (Standard)	3315 2875 51
B	3315 2875 35		

**SB 202: 100–150 bar**



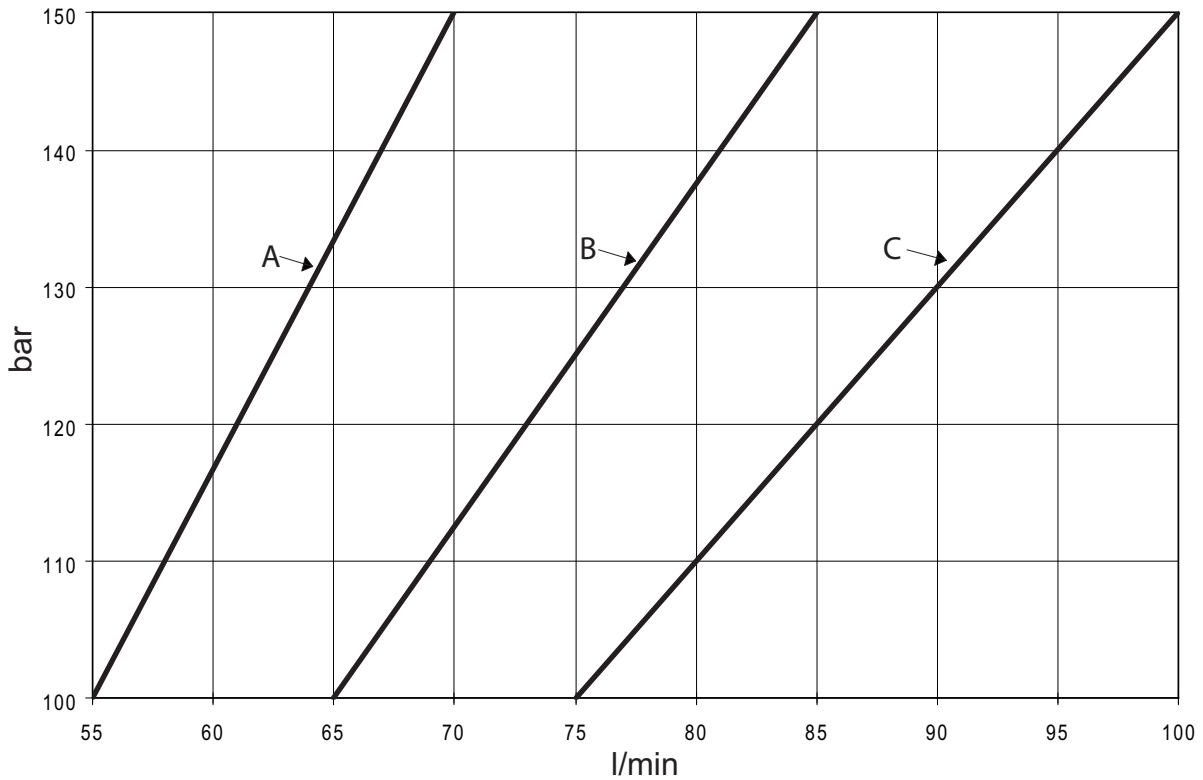
Struper	Bestillings nummer	Struper	Bestillings nummer
A	3315 2875 45	C (Standard)	3315 3040 80
B	3315 2875 55		

**SB 302: 100-150 bar**



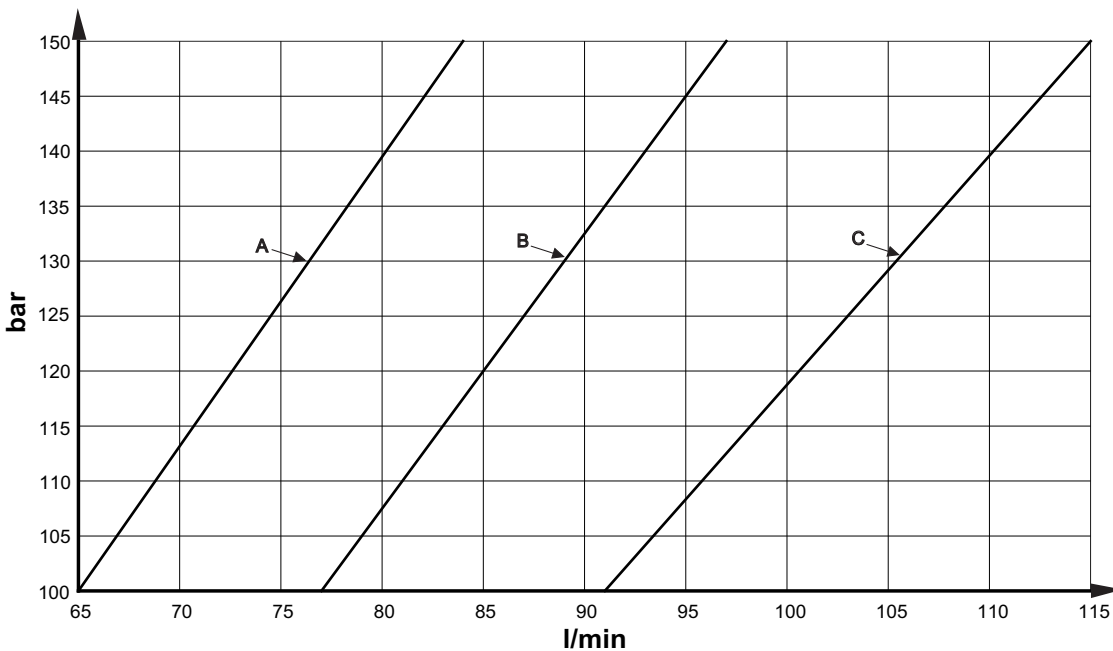
Struper	Bestillings nummer	Struper	Bestillings nummer
A	3315 3588 54	C (Standard)	3315 3588 63
B	3315 3152 35		

**SB 452: 100–150 bar**



Struper	Bestillings nummer	Struper	Bestillings nummer
A	3315 3152 35	C (Standard)	3315 3152 53
B	3315 3152 45		

**SB 552: 100–150 bar**



Struper	Bestillings nummer	Struper	Bestillings nummer
A	3315 3152 35	C (Standard)	3315 3152 55
B	3315 3152 45		



## SVENSKA

## Innehåll

Inledning.....	299
Om säkerhetsinstruktionen och bruksanvisningen.....	299
<b>Säkerhetsinstruktioner.....</b>	<b>300</b>
<b>Säkerhetssymboler.....</b>	<b>300</b>
<b>Personliga försiktighetsåtgärder och utbildning.....</b>	<b>300</b>
Transport.....	300
Installation, förvaring, underhåll och kassering.....	300
Drift.....	300
Provning.....	300
Personlig skyddsutrustning.....	300
Droger, alkohol eller läkemedel.....	300
<b>Bärare, säkerhetsåtgärder.....</b>	<b>301</b>
<b>Installation, säkerhetsåtgärder.....</b>	<b>301</b>
Hydraulsystem.....	301
Montering/demontering.....	301
<b>Drift, säkerhetsåtgärder.....</b>	<b>301</b>
<b>Förvaring, säkerhetsåtgärder.....</b>	<b>302</b>
<b>Underhåll, säkerhetsåtgärder.....</b>	<b>302</b>
<b>Översikt.....</b>	<b>303</b>
<b>Konstruktion och användningsområde.....</b>	<b>303</b>
<b>Maskinens huvuddelar.....</b>	<b>303</b>
<b>Skyltar och dekaler.....</b>	<b>303</b>
Typskylt.....	304
Bullernivåskylt.....	304
Skyltar på ackumulatorn.....	304
<b>Transport.....</b>	<b>304</b>
<b>Lyfta hydraulhammaren.....</b>	<b>304</b>
<b>Installation.....</b>	<b>305</b>
<b>Slangar och anslutningar.....</b>	<b>305</b>
<b>Hydraulolja.....</b>	<b>305</b>
<b>Montering.....</b>	<b>306</b>
<b>Tryckjustering.....</b>	<b>307</b>
<b>Vattenspolning.....</b>	<b>307</b>
<b>Insatsverktyg.....</b>	<b>308</b>
Välja rätt insatsverktyg.....	308
Konisk pikmejsel.....	308
Mejslar och spadar.....	308
Trubbigt insatsverktyg.....	308
Montera och demontera insatsverktyget.....	308
<b>Drift.....</b>	<b>309</b>
<b>Förberedelser före brytning.....</b>	<b>309</b>
Arbetstemperatur.....	309
Motorvarvtal.....	309
<b>Drift.....</b>	<b>309</b>
Brytning.....	309
Brytning under vatten.....	310
<b>Underhåll.....</b>	<b>311</b>
<b>Varannan timme.....</b>	<b>311</b>
Smörja med en fettspruta.....	311



Centralsmörjningssystem.....	311
<b>Dagligen</b> .....	311
<b>Varje vecka</b> .....	312
Slitagegränser.....	312
Byta ut mejselbussningen.....	312
<b>Varje år</b> .....	312
<b>Förvaring</b> .....	313
<b>Kassering</b> .....	313
<b>Tekniska specifikationer</b> .....	314
<b>Maskindata</b> .....	314
<b>Kapacitet</b> .....	314
<b>Bullerdeklaration</b> .....	314
<b>Flödesdiagram för korrekt driftstryck</b> .....	314
SB 52: 100–150 bar.....	315
SB 102: 100–150 bar.....	316
SB 152: 100–150 bar.....	317
SB 202: 100–150 bar.....	318
SB 302: 100–150 bar.....	319
SB 452: 100–150 bar.....	320
SB 552: 100–150 bar.....	320



## Inledning

Tack för att ni valt en produkt från Atlas Copco. Sedan 1873 har vi arbetat med att hitta nya och bättre sätt att tillgodose våra kunders behov. Vi har under årens lopp utvecklat nyskapande och ergonomiska produktlösningar som har hjälpt kunderna att förbättra och rationalisera det dagliga arbetet.

Atlas Copco har ett starkt globalt försäljnings- och servicenät med kontor och återförsäljare runt om i världen. Våra experter är välutbildade yrkesmän med omfattande produktkännedom och praktisk erfarenhet. Vi kan stå till tjänst med produktsupport och expertkunskap i alla delar av världen så att våra kunder alltid kan arbeta så effektivt som möjligt.

För mer information besök: [www.atlascopco.com](http://www.atlascopco.com)

## Om säkerhetsinstruktionen och bruksanvisningen

Syftet med säkerhetsinstruktionen och bruksanvisningen är att ge dig kunskap om hur man använder hydraulhammaren på ett effektivt och säkert sätt. Du får även råd och information om hur du ska utföra regelbundet underhållet på hydraulhammaren.

Innan du använder hydraulhammaren för första gången måste du läsa igenom dessa instruktioner noggrant och vara säker på att du förstår dem helt och hållet.

## Säkerhetsinstruktioner

För att minska risken för allvariga personskador (eller till och med dödsfall) för dig själv och andra, ska du läsa igenom dessa säkerhetsinstruktioner noggrant innan du använder maskinen.

Sätt upp dessa säkerhetsinstruktioner på arbetsplatsen, dela ut kopior till de anställda och se till att alla läser instruktionerna innan de använder eller utför service på maskinen.

Följ alla säkerhetsföreskrifter.

## Säkerhetssymboler

Signalorden Fara, Varning och Varsamhet har följande betydelser:

<b>FARA</b>	Indikerar en överhängande farlig situation som – om den inte undviks – kommer att leda till dödsfall eller allvarig personskada.
<b>WARNING</b>	Indikerar en farlig situation som – om den inte undviks – kan leda till dödsfall eller allvarig personskada.
<b>VARSAMHET</b>	Indikerar en farlig situation som – om den inte undviks – kan leda till lindrig eller måttlig personskada.

## Personliga försiktighetsåtgärder och utbildning

Endast kvalificerad och utbildad personal får använda eller utföra underhåll på maskinen. Använd alltid sunt förnuft och gott omdöme.

### Transport

Hydraulhammaren får endast transporteras av personer som:

- Har behörighet att använda en kran eller gaffeltruck i enlighet med gällande nationella föreskrifter.
- Känner till alla relevanta nationella säkerhetsföreskrifter och olycksförebyggande åtgärder.
- Har läst igenom och förstår kapitlen om säkerhet och transport i den här bruksanvisningen.

### Installation, förvaring, underhåll och kassering

Installation, förvaring, underhåll och kassering av hydraulhammaren får endast företas av personer som:

- Känner till alla relevanta nationella säkerhetsföreskrifter och olycksförebyggande åtgärder.
- Har läst igenom och förstår säkerhetsinstruktionen och bruksanvisningen.

### Drift

Hydraulhammaren får endast användas av kvalificerade och utbildade maskinanvändare. Maskinanvändare är kvalificerad om de:

- Har fått utbildning på användning av bäraren i enlighet med nationella föreskrifter.
- Känner till alla relevanta nationella säkerhetsföreskrifter och olycksförebyggande åtgärder.
- Har läst igenom och förstår säkerhetsinstruktionen och bruksanvisningen.

### Provning

Provning av hydraulhammaren ska endast utföras av en behörig tekniker. Teknikern måste ha behörighet att använda hydraulhammaren i enlighet med nationella föreskrifter.

### Personlig skyddsutrustning

Använd alltid godkänd skyddsutrustning. Maskinanvändarna och alla andra personer som vistas inom arbetsområdet måste bära minst följande skyddsutrustning:

- Skyddshjälm
- Hörselskydd
- Slagtåliga skyddsglasögon med sidoskydd
- Andningsskydd, vid behov
- Skyddshandskar
- Lämpliga skyddsskor

### Droger, alkohol eller läkemedel

#### ▲ VARNING Droger, alkohol eller läkemedel

Droger, alkohol och läkemedel kan påverka ditt omdöme och koncentrationsförmåga. Dålig reaktionsförmåga och felbedömningar kan leda till allvariga olyckor eller dödsfall.

- ▶ Använd inte maskinen när du är trött eller påverkad av alkohol, droger eller läkemedel.
- ▶ Personer som är påverkad av alkohol, droger eller läkemedel får inte använda maskinen.

## Bärare, säkerhetsåtgärder

Innan du använder eller transporterar bäraren med hydraulhammaren monterad måste du noggrant läsa igenom bärartillverkarens säkerhetsföreskrifter och bruksanvisning.

Se till att bäraren är försedd med giltig skyddsutrustning, inklusive en skyddande ruta framför maskinanvändaren.

Montera endast hydraulhammaren på bärare med tillräcklig lastkapacitet.

Bärare utan tillräcklig lastkapacitet ger inte den stabilitet som krävs och kan till och med välta vid användning av hydraulhammaren och leda till skador på personer och utrustning.

## Installation, säkerhetsåtgärder

### Hydraulsystem

#### ▲ FARA Komprimerad gas, explosionsrisk

Akkumulatorm är trycksatt även när hydraulsystemet är avstängt. Allvarliga personskador eller dödsfall kan inträffa om man demonterar ackumulatorm utan att först släppa ut kvävgasen.

- ▶ Fyll endast högtrycksackumulatorm med kvävgas (N<sub>2</sub>).
- ▶ Endast behörig personal får jobba med ackumulatorm.

#### ▲ VARNING Hydraulolja under högt tryck

Tunna strålar av hydraulolja under högt tryck kan tränga igenom huden och orsaka bestående skador.

- ▶ Kontakta omedelbart en läkare om hydrauloljan har trängt igenom huden.
- ▶ Använd aldrig fingrarna för att leta efter läckande hydraulolja.
- ▶ Håll ansiktet borta från eventuella läckor.

#### ▲ VARNING Hydraulolja

Oljespill kan orsaka brännskador, halkolyckor och är dessutom skadlig för miljön.

- ▶ Ta hand om allt oljespill och hantera oljan i enlighet med säkerhets- och miljöföreskrifterna.
- ▶ Demontera aldrig hydraulhammaren när hydrauloljan är varm.
- ▶ Dra inte hydraulslangar eller rör för anslutning av hydraulhammaren genom förarhytten.

#### ▲ VARSAMHET Hudeksem

Hydraulolja kan orsaka eksem om den kommer i kontakt med huden.

- ▶ Undvik att få hydraulolja på händerna.
- ▶ Använd alltid skyddshandskar vid arbete med hydraulolja.

### Montering/demontering

#### ▲ VARNING Rörliga delar

Risk för klämskador på fingrar och händer.

- ▶ Undersök aldrig hål eller öppningar med händerna eller fingrarna.
- ▶ Eventuella bomrörelser får bara göras i samförstånd med personen som monterar hydraulhammaren.
- ▶ Om hydraulhammaren monteras på en snabbkoppling måste du se till att den är ordentligt fastlåst och att det inte finns någon risk för att hydraulhammaren lossnar.

## Drift, säkerhetsåtgärder

#### ▲ FARA Explosionsrisk

Om insatsverktyget kommer i kontakt med sprängämnen kan en explosion inträffa. Vid arbete med vissa material kan gnistor och brand uppstå. Explosioner kan orsaka allvarliga personskador eller dödsfall.

- ▶ Använd aldrig maskinen i explosiva miljöer.
- ▶ Använd inte maskinen nära brännbara material, ångor eller damm.
- ▶ Kontrollera att det inte finns några okända gaskällor eller sprängämnen i närheten.

#### ▲ VARNING Arbetstryck

Överskrids hydraulhammarens maximala arbetstryck kan ackumulatorm bli överbelastad vilket kan leda till materiella skador och personskador.

- ▶ Använd alltid hydraulhammaren med korrekt arbetstryck. Se "Tekniska specifikationer".

#### ▲ VARNING Risker med kiseldioxid

Exponering för kristallin kiseldioxid (kallas ibland "kvarstdamm") som uppstår genom brytning eller andra aktiviteter som berör sten, betong, asfalt eller andra material kan orsaka silikos (en allvarlig lungsjukdom), silikosrelaterade sjukdomar, cancer eller dödsfall. Kiseldioxid är en viktig beståndsdel i sten, sand och mineralmalmer.

- ▶ SB-hydraulhammare är förberedda för dammreducering för att minska exponeringen för kiseldioxid.

**▲ VARNING Faror med damm**

Damm, ångor eller annat luftburet material som uppstår vid användning av maskinen kan innehålla kemikalier som enligt staten Kalifornien kan orsaka cancer och ge upphov till fosterskador eller andra fortplantningsskador. Några exempel på sådana kemikalier är:

- Kristallin kiseldioxid, cement och andra produkter för murning.
  - Arsenik och krom från kemiskt behandlat gummi.
  - Bly från blybaserade målarfärger.
- För att minska exponeringen för dessa kemikalier ska man arbeta på platser med god ventilation och använda godkänd skyddsutrustning, exempelvis andningsskydd som är specialkonstruerade för att filtrera bort mikroskopiska partiklar.

**▲ VARNING Elektrisk stöt**

Hydraulhammaren är inte isolerad mot elektrisk spänning. Om hydraulhammaren kommer i kontakt med elektricitet kan allvarliga personskador eller dödsfall uppstå.

- Använd aldrig maskinen i närheten av elledningar eller andra elektriska källor.
- Kontrollera att det inte finns några dolda ledningar i arbetsområdet.

**▲ VARNING Kringflygande föremål**

Under brytning kan flisor eller andra partiklar flyga iväg och orsaka kroppsskador genom att träffa operatören eller kringstående. Små föremål som faller från hög höjd kan ge upphov till stora skador.

- Spärra av arbetsområdet.
- Innan du startar måste du se till att det inte finns några personer inom hydraulhammarens riskområde, 20 meter både horisontalt och vertikalt.
- Stoppa omedelbart hydraulhammaren när det finns personer inom riskområdet.

**▲ VARNING Bullerfaror**

Höga ljudnivåer kan orsaka bestående hörselskador.

- Använd hörselskydd i enlighet med gällande hälsoskyddsföreskrifter.

## Förvaring, säkerhetsåtgärder

**▲ VARNING Hydraulhammaren och insatsverktyg är tunga.**

- Förvara hydraulhammaren och insatsverktygen så de inte kan ramla omkull eller rulla iväg.

## Underhåll, säkerhetsåtgärder

**▲ VARNING Oavsiktlig start**

Oavsiktlig start av hydraulhammaren kan leda till allvarliga personskador.

- Följ instruktionerna i bärarens bruksanvisning för att förhindra att hydraulhammaren startar oavsiktligt.
- Installationen av en startkrets till hydraulhammaren måste göras så att oavsiktliga starter undviks.
- Fotpedalen på bäraren måste förses med ett skydd.

**▲ VARNING Hydraulsystem med högt tryck**

Underhållsarbete på en hydraulhammare med tryck kan leda till allvarliga personskador. Kopplingar kan lossna, delar kan röra sig och hydraulolja kan spruta ut.

- Gör hydraulsystemet trycklöst innan underhållsarbete utförs på hydraulhammaren eller bäraren.

**▲ VARNING Maskinmodifieringar**

Modifieringar av maskinen kan leda till att du själv eller andra personer skadas.

- Modifiera inte maskinen.
- Använd endast originaldelar och tillbehör som är godkända av Atlas Copco.

**▲ VARSAMHET Varmt insatsverktyg**

Spetsen på insatsverktyget blir varmt under användningen. Brännskador kan uppstå om du rör spetsen.

- Ta inte på ett varmt insatsverktyg.
- Vänta tills insatsverktyget har svalnat innan du utför något underhåll på maskinen.

## Översikt

För att minska risken för allvariga personskador eller till och med dödsfall ska du läsa avsnittet med säkerhetsinstruktionerna på de föregående sidorna i denna bruksanvisning innan du använder maskinen.

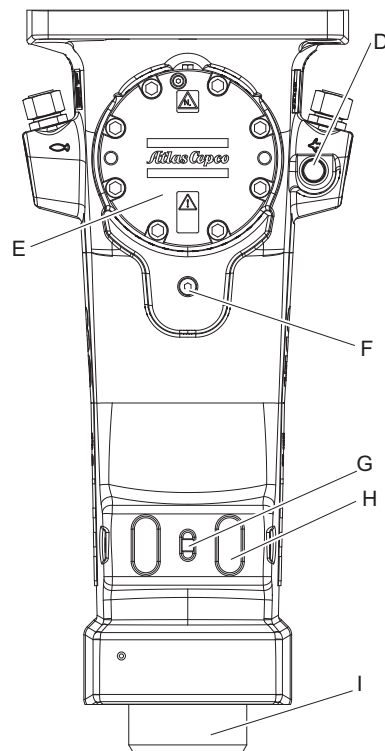
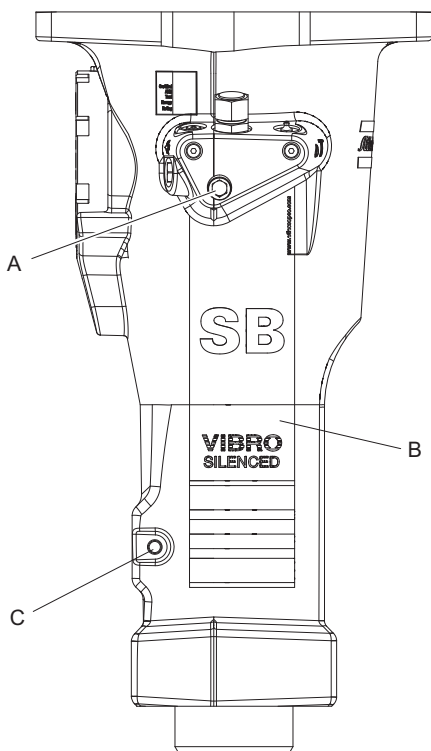
## Konstruktion och användningsområde

SB är ett sortiment av riggmonterade hydraulhammare som är konstruerade för alla slags rivningsarbeten.

SB står för Solid Body vilket innebär att hammarhuset är gjort i ett enda stycke. Ackumulatören är integrerad med hammarhuset.

Hydraulhammaren manövreras från förarhytten på bäraren med hjälp av bärarens hydrauliksystem. Slagfrekvensen kontrolleras av oljeflödet från bäraren.

## Maskinens huvuddelar

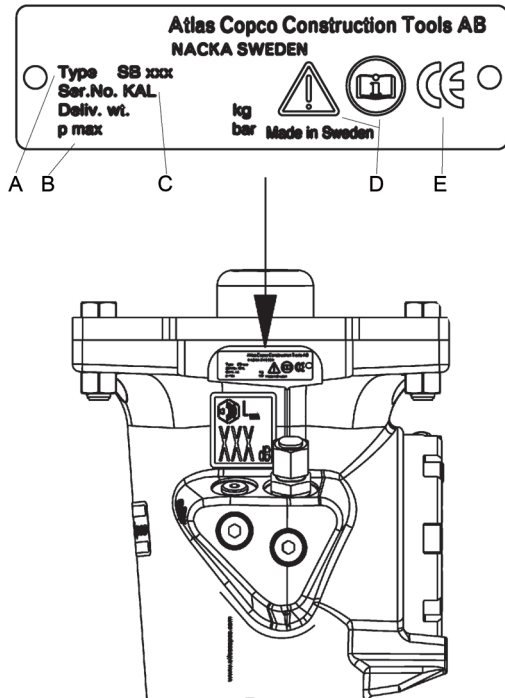


- A. Strypning
- B. Hammarhus
- C. Låstapp
- D. Övertrycksventil
- E. Tryckackumulator
- F. Oljedräneringsplugg
- G. Låsbuffert
- H. Verktygshållare
- I. Bussning

## Skyltar och dekaler

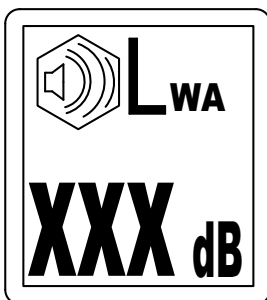
Maskinen är försedd med skyltar och dekaler som innehåller viktig information om personlig säkerhet och maskinunderhåll. Skyltarna och dekaler måste alltid vara läsbara. Nya skyltar och dekaler kan beställas med hjälp av reservdelslistan.

## Typskylt



- A. Modell
- B. Maximalt hydraultryck
- C. Serienummer
- D. Varningssymbol ihop med boksymbol innebär att användaren ska läsa igenom säkerhetsinstruktionen och bruksanvisningen innan maskinen används för första gången.
- E. CE-symbolen betyder att maskinen är godkänd enligt EU-föreskrifterna. Se CE-deklarationen som medföljer maskinen för närmare information.

## Bullernivåskylt



Skylden anger den garanterade ljudnivån enligt EU-direktiv 2000/14/EG. Se "Tekniska specifikationer" för rätt ljudnivå.

## Skyldar på ackumulatorn



Läs igenom serviceanvisningarna noggrant före service eller utbyte.



Tryckackumulatorn får endast fyllas med kvävgas.  
**OBS!** Endast behörig personal får jobba med tryckackumulatorn.

## Transport

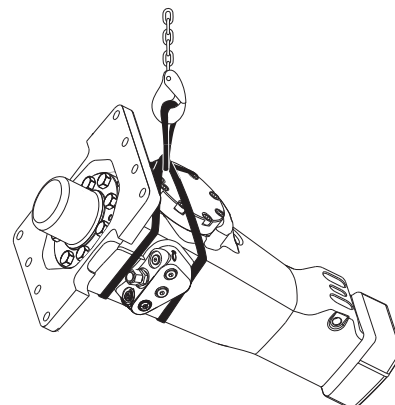
### Lyfta hydraulhammaren

**▲ VARNING** En fallande hammare kan orsaka skador.

- Placera hydraulhammaren så att den inte kan välta och orsaka skador.

Kontrollera noga att bäraren är tillräckligt stabil vid transport, underhåll och andra slags arbeten på hydraulhammaren.

Hydraulhammaren levereras i en låda. För att lyfta ur hydraulhammaren på ett säkert sätt ska lyftbandet fästas som på bilden nedan.





## Installation

Läs igenom handboken och säkerhetsinstruktionen från tillverkaren av bäraren innan du monterar eller använder hydraulhammaren på bäraren. Följ alla anvisningar.

Bäraren måste ha ett passande hydraulsystem för användning av hydraulhammaren.

Om bäraren är för stor för hydraulhammaren kan leda till att insatsverktygen går sönder och ökat slitage. Se "Tekniska specifikationer" för att välja en passande bärare.

Innan användning måste kvaliteten (CE-märke och så vidare), lämpligheten och funktionaliteten på hydraulsystemets säkerhetsanordningar kontrolleras av en fackman/behörig person.

## Slangar och anslutningar

### ▲ VARNING Kastande hydraulslang

Hydraulslangar under tryck kan piska runt okontrollerat om skruvarna lossnar eller lossas. En kastande hydraulslang kan orsaka allvarliga personskador.

- ▶ Gör hydraulsystemet trycklöst innan du lossar anslutningen för en hydraulslang.
- ▶ Dra åt muttrarna på hydraulslangarna med rätt åtdragningsmoment.




Typ av koppling: Atlas Copco standard ORFS-koppling. Dimensionerna på kopplingarna finns i reservdelslistan.

Kvaliteten på hydraulslangarna ska vara 2SC (enligt EN 857) eller bättre när hydraulhammaren ansluts till bäraren. Om snabbkopplingar används rekommenderar vi att man använder snabbkopplingen "Flat Face". Den modellen är robust och lätt att göra ren. Tryckklassen på snabbkopplingarna måste stämma överens med bärarens arbetstryck.

Rengör alltid snabbkopplingarna före montering eller demontering. Täpp alltid till slangändar och kopplingar med rena och täta pluggar vid demontering.




### Slanganslutningar

#### Höger (sett från operatörens plats)

	Luftspolning	Centralsmörjning	Tank, returledning
Symbol			
SB 52	G 1/4"	G 1/4"	G 3/8"
SB 102	G 1/4"	G 1/4"	G 1/2"
SB 152	G 1/4"	G 1/4"	G 1/2"
SB 202	G 1/4"	G 1/4"	G 1/2"
SB 302	G 1/4"	G 1/4"	G 3/4"
SB 452	G 1/4"	G 1/4"	G 3/4"
SB 552	G 1/4"	G 1/4"	G 1"

### Slanganslutningar

#### Vänster (sett från operatörens plats)

	Vatten	Tryck till hydraulhammaren	Tryck för ContiLube®II
Symbol			
SB 52	-	G 3/8"	G 1/4"
SB 102	-	G 1/2"	G 1/4"
SB 152	G 1/4"	G 1/2"	G 1/4"
SB 202	G 1/4"	G 1/2"	G 1/4"
SB 302	G 1/4"	G 3/4"	G 1/4"
SB 452	G 1/4"	G 3/4"	G 1/4"
SB 552	G 1/4"	G 1"	G 1/4"

### Åtdragningsmoment för tryck- och returslang

SB 52	60 Nm
SB 102	150 Nm
SB 152	150 Nm
SB 202	150 Nm
SB 302	210 Nm
SB 452	210 Nm
SB 552	300 Nm

## Hydraulolja

Normalt fungerar samma typ av hydraulolja som bäraren använder även för hydraulhammaren.

Hydrauloljan blir smutsig fortare när en hydraulhammare är ansluten till bäraren. Kontrollera och följ bärarens instruktioner för byte av olja och filter. Det är normalt att byta oljefiltret oftare när en hydraulhammare är installerad.

SB-hydraulhammare är försedda med en oljeplugg för att tömma ut all olja före demontering. Detta minskar risken för att olja spills.

**OBS!** När SB-hydraulhammaren levereras innehåller den lite mineralbaserad hydraulolja. Innan den ansluts till bärarens hydraulsystem måste du kontrollera vilken typ av hydraulolja

som bäraren använder. Blanda inte olika typer av hydraulolja eftersom det kan förstöra smörjegenskaperna och orsaka maskinskador.

## Montering

**▲ VARNING** En fallande hammare kan orsaka skador.

- ▶ Placera hydraulhammaren så att den inte kan välta och orsaka skador.

Pumpa runt hydrauloljan innan du ansluter hydraulhammaren. Det säkerställer att hydrauloljan är ren. Gör på samma sätt vid byte av hydraulslangen. Se "Hydraulolja" för mer information.

1. Anslut tryck- och returslangen.

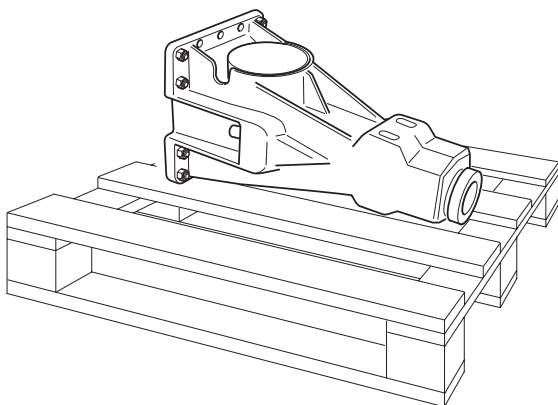


2. Kör hydrauloljan genom bärarens oljefilter i ungefär 3 minuter så att slangarna blir rena.

### Förberedelser

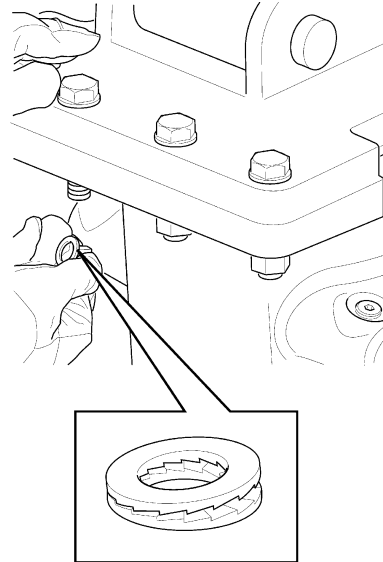
1. Placera hydraulhammaren så adapterplattan går att montera på ett enkelt och säkert sätt.

**OBS!** Montera hammaren så att ackumulatören är vänd mot förarhytten för att minska risken för skador på ackumulatören.



### Montering av adapterplattan

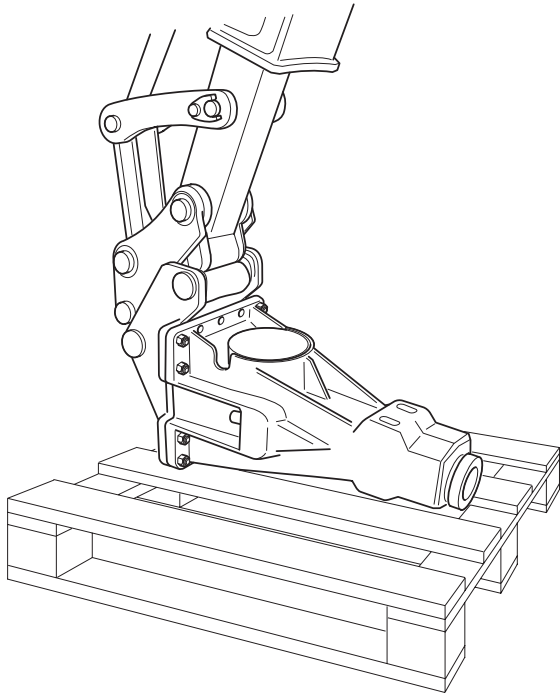
2. Om Atlas Copcos låsskruv inte är tillgänglig rekommenderar vi NORD-LOCK™ brickor under skruvarna och muttrar (NORD-LOCK™ är ett registrerat varumärke tillhörande Nord-Lock AB i USA och/eller andra länder).



Adapterplatta	Åtdragningsmoment
SB 52	290 Nm
SB 102	200 Nm
SB 152	200 Nm
SB 202	200 Nm
SB 302	170 Nm
SB 452	400 Nm
SB 552	400 Nm

*Ansluta hydraulhammaren till bäraren*

- Placera hydraulhammaren på ett säkert sätt vid installationen.



Tryckanslutningen på hydraulhammaren sitter på vänster sidan när du är vänd mot ackumulatören. Om tryckslangen sitter på andra sidan av skoparmen kan du korsa slangarna eller vända hydraulhammaren.

- Sänk försiktigt ner skaftet på bommen i adaptern.

**▲ VARNING Rörliga delar kan krossa och skära**

- Undersök aldrig hål eller öppningar med händerna eller fingrarna.

En medhjälpare bör dirigera skoparmens rörelse tills hålen i skoparmen är i nivå med hålen i adaptern.

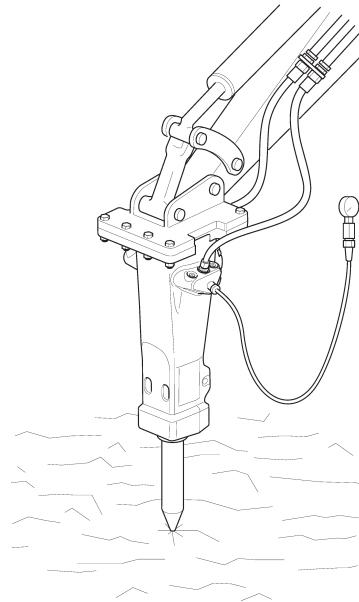
Enas med medhjälpare om tydliga hand signaler som ska användas under monteringen.

- För in tappen och lås.
- Lyft upp hydraulhammaren med hjälp av bommen.
- Sträck ut skopcyllindern tills hålet i leden är i nivå med hålen i adaptern. För in ledtappen och lås.
- Efter montering av hydraulhammaren ska du försiktigt sträcka ut och dra in skopcyllindern ända till ändläget. Det är viktigt att cylindern kan sträckas ut och dras in helt och hållet utan problem.

## Tryckjustering

SB-hydraulhammare är försedda med en tryckbegränsningsventil som skyddar hydraulhammaren. Hydraulhammarens arbetstryck (max 150 bar) kontrolleras och regleras med en tryckmanometer medan hydraulhammaren används.

- Sänk trycket om arbetstrycket är högre än 150 bar. Minska oljeflödet från bäraren tills trycket är nere i 150 bar. Denna justering är viktig för att den inbyggda tryckbegränsningsventilen i hydraulhammaren inte ska öppna och släppa igenom olja till tanken och orsaka värmeproblem.
- Om arbetstrycket ligger mellan 130 och 150 bar behövs normalt ingen justering.
- Om bärarens oljetryck är för lågt för att hålla ett acceptabelt arbetstryck måste strypningen på hydraulhammaren bytas. Se flödesdiagrammen i "Tekniska specifikationer" för att välja rätt strypning för användningsområdet.



Placera hydraulhammaren vertikalt mot fast berggrund eller liknande för att justera trycket med en tryckmanometer.

## Vattenspolning

Hydraulhammaren är förberedd för vattenspolning. Denna funktion används för att binda dammet vid demoleringsarbeten.

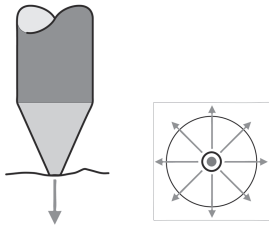
När vattenspolningen ansluts måste pluggen framför hydraulhammaren bytas ut mot ett vattenmunstycke. Se reservdelsförteckningen för att beställa ett vattenmunstycke.

Använd en 1/4" hydraulslang med en JIC-koppling som vattenslang. Vattenförbrukningen vid 4 bar är 6,6 liter/min. Kontakta närmaste auktoriserade verkstad för mer information.

## Insatsverktyg

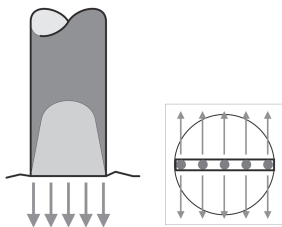
### Välja rätt insatsverktyg

#### Konisk pikmejsel



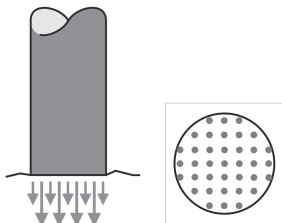
- Mycket god genomträngning
- Jämn spridning av klyvningen
- Ingen vrideffekt

#### Mejslar och spadar



- Mycket god spridning av klyvningen
- Bra genomträngning
- Vrideffekt

#### Trubbigt insatsverktyg



- Mycket god energiöverföring
- Optimal bryteffekt
- Ingen vrideffekt

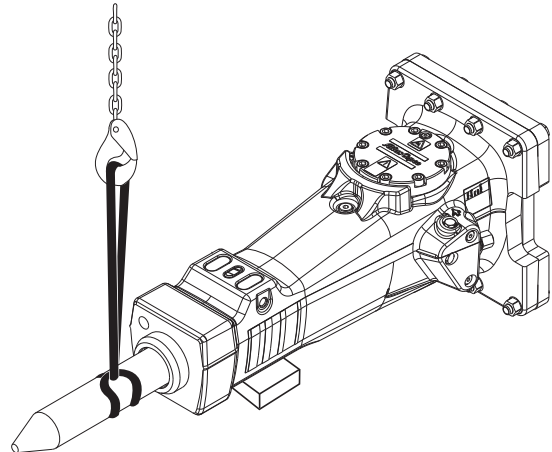
## Montera och demontera insatsverktyget

### ▲ VARNING Motor i drift

Allvarliga personskador kan inträffa om man byter insatsverktyg medan bärarens motor är igång.

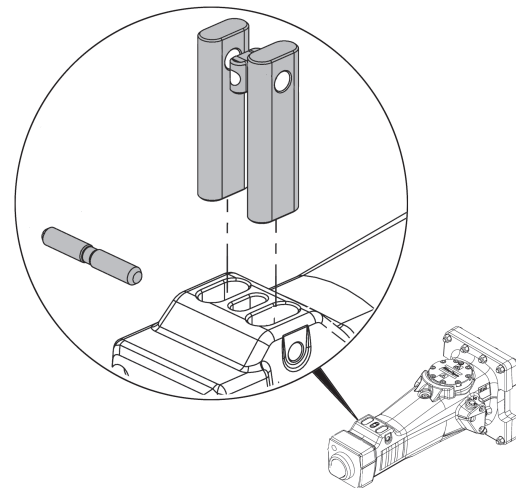
► Säkra bäraren mot oavsiktlig start.

1. Bärarens motor måste vara avstängd vid byte av insatsverktyg.
2. Montera (och demontera) insatsverktyget med en lyftanordning för att minska risken för klämda kroppsdelar.



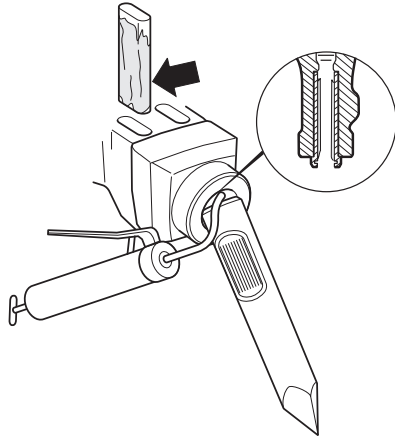
Vissa insatsverktyg är tunga och ska därför lyftas ur på ett säkert sätt.

3. Kontrollera att låsbufferen inte är utsliten eller skadad.

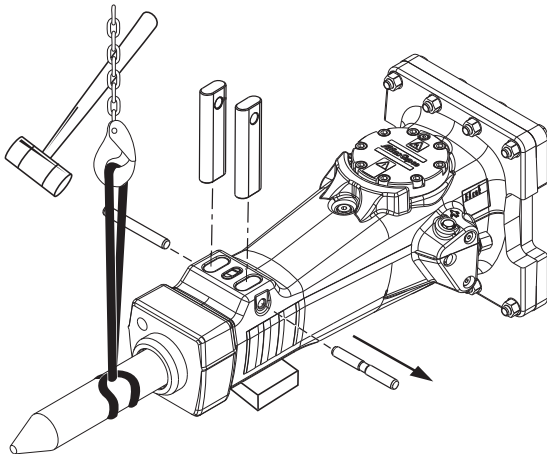


Låsbufferen i verktygshållarens lås är gjord av plast och kan smälta vid arbete i varma miljöer. Om detta inträffar ska den vanliga låsspinnen bytas ut. Använd en fjäderpinne istället som du kan beställa separat med hjälp av reservdelslistan.

4. Rengör och smörj bussningen ordentligt. Detta är särskilt viktigt när du monterar ett nytt insatsverktyg.



5. Montera insatsverktyget.  
6. Vrid runt insatsverktyget för att fördela smörjfettet.  
7. Montera verktygshållarna, en i taget.  
8. Kör in låspinnen tills låsbufferen fastnar i låspinnens spår.



Insatsverktyget demonteras i omvänd ordning till monteringen.

## Drift

**OBS!** Hydraulhammaren och mejseln får inte användas som lyftanordningar. Använd kroken på bärarens arm för att lyfta tunga delar.

## Förberedelser före brytning

### Arbetstemperatur

Hydraulhammarens arbetstemperatur är mellan – 20 °C och + 80 °C.

### ▲ VARSAMHET Temperaturrisker

Hydraulhammaren och bärarens hydraulsystem kan skadas om hydraulhammaren används vid högre eller lägre temperaturer.

- ▶ Starta inte hydraulhammaren förrän oljan i hydraulsystemet har uppnått rätt arbetstemperatur.
- ▶ Värm upp mejseln och hydraulhammaren innan användning om utomhustemperaturen är lägre än – 20 °C.
- ▶ Kör inte hydraulhammaren om oljetemperaturen överstiger +80 °C eftersom oljans egenskaper då är olämpliga och avsevärt förkortar livslängden på tätningar och O-ringar.

### Motorvarvtal

För högt varvtal på motorn leder till ökad bränsleförbrukning och ökad oljetemperatur. Anpassa motorns varvtal till det rekommenderade värdet för att få rätt oljeflöde.

## Drift

### Brytning

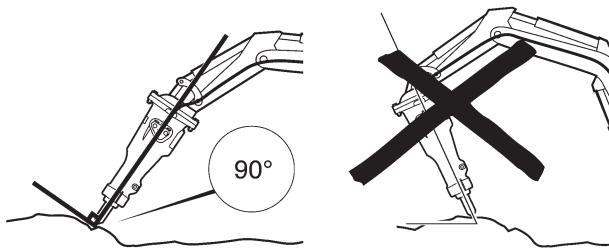
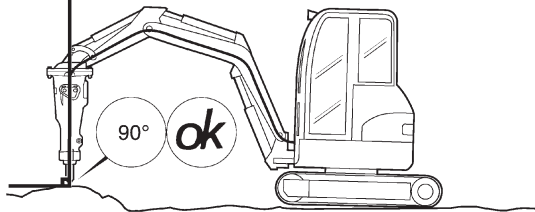
#### ▲ VARSAMHET Faror för maskin och insatsverktyg

Kontinuerlig drift i helt utsträckt/inskjutet läge kan leda till skador på hydraulcylindrarna.

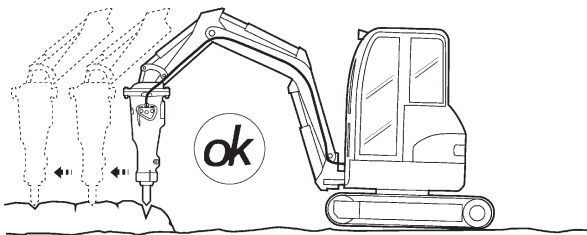
- ▶ Se till att inte använda hydraulhammaren med cylindrarna helt utsträckta eller indragna.
- ▶ Byt plats på bäraren och/eller bommen för att undvika helt utsträckta eller indragna cylindrar.
- ▶ Var uppmärksam och fokuserad på arbetsuppgiften.

Starta inte hydraulhammaren förrän såväl bäraren som hydraulhammaren är i rätt läge.

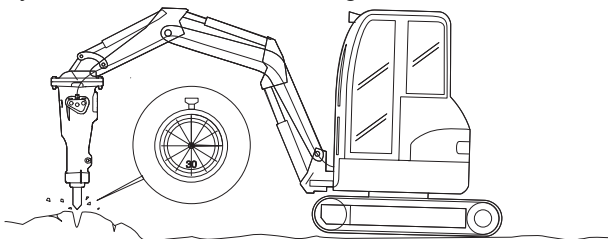
- ◆ Rikta hydraulhammaren i 90 graders vinkel mot arbetsytan.



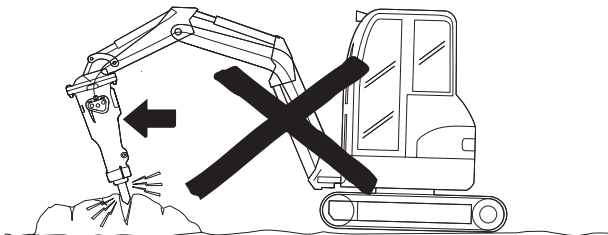
- ◆ Starta nära kanten och arbeta dig in mot mitten. Starta inte i mitten av stora föremål.



- ◆ Kör aldrig hydraulhammaren längre än 15 sekunder på samma plats. Flytta mejseln till ett nytt ställe om materialet inte går sönder.

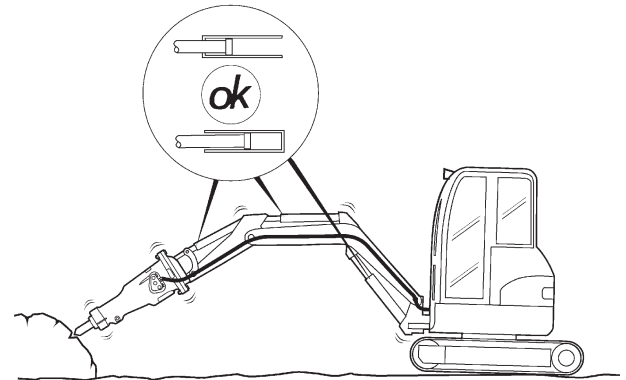


- ◆ Bryt inte med mejseln.



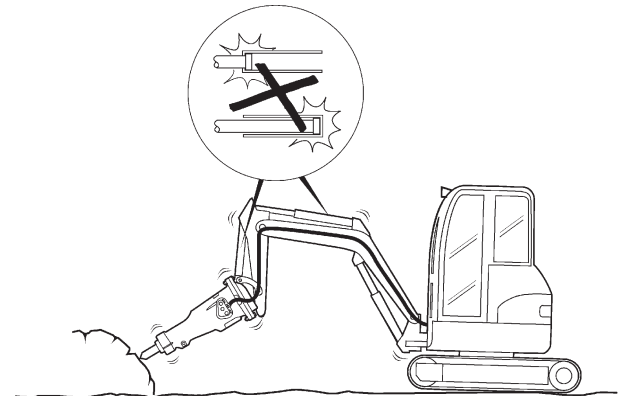
- ◆ Använd rätt matningstryck. När matningstrycket

är korrekt fungerar hydraulhammaren optimalt och vibrationerna är minimala. Även slitaget på bussningen och mejseln minskar.

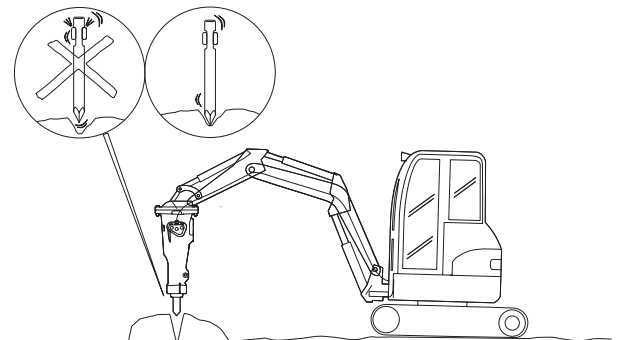


- ◆ Lyssna på ljudet från hydraulhammaren. Ljudet förändras om det finns en brytning mellan mejseln och bussningen.

- ◆ Kör inte hammaren med bomcylindrarna i ändläge. Det kan leda till skador på bäraren.



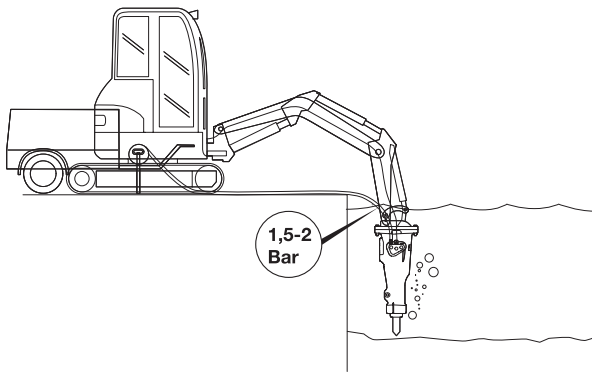
- ◆ Undvik slag utan belastning; det sliter på såväl mejseln som verktyghållaren.



### Brytning under vatten

Hydraulhammaren kan användas under vatten.





Vid användning under vatten måste hydraulhammaren matas med tryckluft för att hålla området mellan kolven och mejseln fritt från vatten. Om området mellan kolven och mejseln fylls med vatten kan vattnet tränga in i hydraulsystemet när hydraulhammaren startar.

Lufttrycket bör vara mellan 1,5 och 2 bar vid hydraulhammarens luftintag. Luftförbrukningen anges i "Tekniska specifikationer". En lämplig luftslang är ¼" hydraulslang med JIC-anslutning. Kontakta närmaste auktoriserade verkstad för mer information.

## Underhåll

Det är mycket viktigt att utföra regelbundet underhållet för att hydraulhammaren ska behålla maximal effektivitet.

Utrustning som inte underhålls på rätt sätt kan vara farlig för såväl användaren som personer i hydraulhammarens närhet. Se till att följa de regelbundna underhållsrutinerna med smörjning så att utrustningen förblir säker och effektiv.

## Varannan timme

Smörj regelbundet mejseln, verktygshållarna och bussningarna med Atlas Copco mejselfett.

### Smörja med en fettspruta

**▲ VARNING** Mejseln är varm vid användning och en viss tid efter användningen.

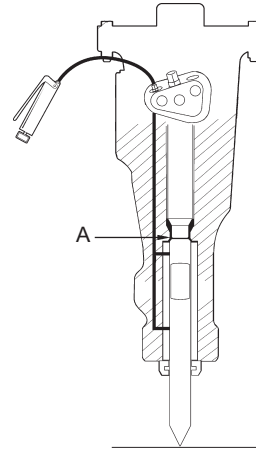
► Undvik kontakt med mejseln.

### ▲ VARSAMHET Hudeksem

Smörjfett kan orsaka eksem om den kommer i kontakt med huden.

► Undvik att få smörjfett på händerna.

1. Tryck in mejseln hela vägen upp till stoppet (A) i hydraulhammaren. Annars fylls utrymmet mellan mejselns ovansida och hydraulhammaren med smörjfett.



2. Smörj mejselnacken ordentligt vid upptriktad användning. Bussningen och mejseln måste smörjas så ofta att ingen smuts kan tränga in i hydraulhammaren.

Vanligt smörjfett smälter och rinner när mejseln utsätts för högt tryck och höga temperaturer. Använd alltid Atlas Copco mejselfett för att undvika detta.

### Centralsmörjningssystem

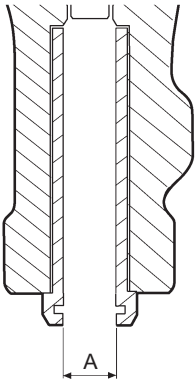
Vi rekommenderar Atlas Copcos centralsmörjningssystem. När detta system är monterat på bäraren pumpas smörjfett hela tiden från en smörjbehållare på bäraren till hydraulhammaren när hammaren är aktiverad. Detta ökar avsevärt livslängden på mejselbussningarna och mejslarna.

## Dagligen

1. Kontrollera verktygshållarna och låspinnen.
2. Kontrollera att slangar, kopplingar och ackumulatören är i gott skick.
3. Kontrollera att skruvar och anslutningar är hela och ordentligt åtdragna. Se åtdragningsmomenten i reservdelslistan.
4. Fyll på centralsmörjningssystemet.

## Varje vecka

1. Rengör hydraulhammaren noggrant.
2. Kontrollera slitaget på mejselbussningen och den inre slitagegränsen (B).



Mejselbussningen måste bytas ut när innerdiametern (A) har nått den maximala slitagegränsen, se "Slitagegränser" och "Byta ut mejselbussningen".

3. Kontrollera om mejseln är sliten (C).



Mejseln måste bytas ut när ytterdiametern (B) har nått slitagegränsen. Se "Slitagegränser". Alltför stort spelrum kan göra att mejseln går sönder och skada kolven.

4. Kontrollera hammarhuset och adapterplattan för att se om det finns sprickor eller slitage.
5. Kontrollera att ackumulatorkruvorna är ordentligt åtdragna. Rätt åtdragningsmoment hittas i reservdelslistan.

Mejslarna får aldrig vässas genom smidning. Vässningen får bara göras genom fräsning, slipning eller svarvning.

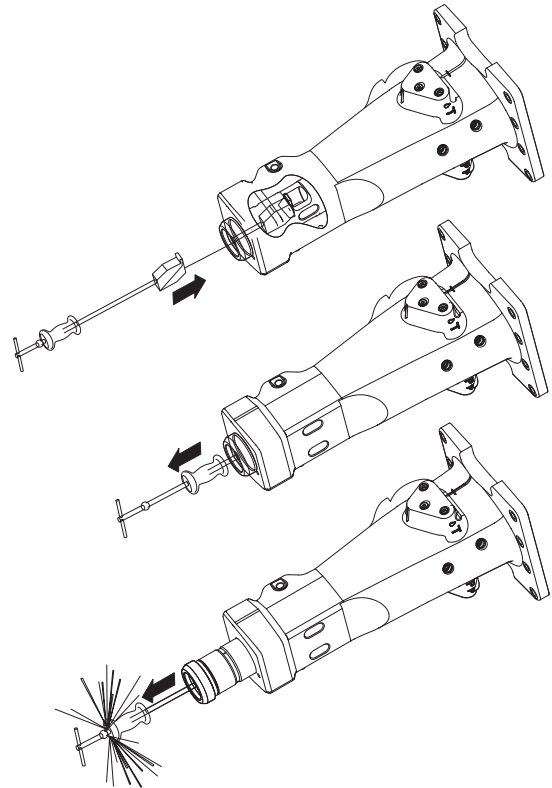
### Slitagegränser

	B mm (in.)	C mm (in.)
SB 52	42 (1,6)	38 (1,5)
SB 102	47 (1,8)	43 (1,7)
SB 152	52 (2,0)	48 (1,9)
SB 202	68 (2,7)	63 (2,5)
SB 302	83 (3,3)	78 (3,1)
SB 452	98 (3,85)	92 (3,6)
SB 552	103 (4,1)	97 (3,8)

## Byta ut mejselbussningen

Mejselbussningen hålls på plats av verktyghållarna. Nya bussningar har glidpassning.

1. Om en utsliten bussning har fastnat ska du använda en glidhammare för att ta bort den.



2. Rengör försiktigt loppet och området där bussningen ska sitta.
3. Montera nya O-ringar, smörj och montera bussningen.
4. Använd en plastslägga för att montera bussningen.
5. Håll bussningen på plats med hjälp av verktyghållarna.
6. Montera en ny skrapring.

## Varje år

Översyn ska göras efter ett års kontinuerlig användning. Översynen ska av säkerhetsskäl endast utföras av behörig personal på närmaste Atlas Copco-verkstad eller någon annan auktoriserad Atlas Copco-verkstad.



## Förvaring

**▲ VARNING** En fallande hammare kan orsaka skador.

- Placera hydraulhammaren så att den inte kan välta och orsaka skador.

Tänk på följande punkter för att skydda hydraulhammaren från korrosion om den inte ska användas under lång tid:

1. Rengör hydraulhammaren noggrant.
2. Demontera mejseln och smörj kolvens framdela, bussningen och verktygshållarnas lås.
3. Förvara hydraulhammaren på en torr plats.

## Kassering

En uttjänt maskin ska hanteras och kasseras på ett sådant sätt att största möjliga del av materialet kan återvinnas. All negativ inverkan på miljön måste hållas så låg som möjligt.

Innan en uttjänt maskin kasseras måste den tömmas och rengöras från all hydraulolja. Kvarvarande hydraulolja måste deponeras och all negativ inverkan på miljön ska undvikas i största möjliga utsträckning.

## Tekniska specifikationer

### Maskindata

	SB 52	SB 102	SB 152	SB 202	SB 302	SB 452	SB 552
Beställningsnummer	8460 0300 10	8460 0300 30	8460 0300 40	8460 0300 50	8460 0300 60	8460 0300 70	8460 0300 80
Arbetsvikt (kg)	55	87	140	201	310	441	521
Leveransvikt (kg)	44	68	110	154	224	321	390
Mejselnackens diameter (mm)	40	45	50	65	80	95	100

### Kapacitet

	SB 52	SB 102	SB 152	SB 202	SB 302	SB 452	SB 552
Lämplig bärare, min – max i ton	0.7–1.1	1.1–3.0	1.9–4.5	2.5–6.0	4.5–9	6.5–13	9–15
Oljeflöde (l/min)	15–32	16–35	25–45	35–66	50–80	55–100	65–115
Slagfrekvens (slag/min)	960–2160	720–2280	840–1920	840–1800	600–1380	540–1260	660–1140
Arbetsstryck (bar)	100–150	100–150	100–150	100–150	100–150	100–150	100–150
Godkänt mottryck (bar)	25	18	25	25	26	21	18
Akkumulatortryck (bar)	40	40	40	40	40	40	40
Övertrycksventil (bar)	170	170	170	170	170	180	170
Vattentryck (bar)	-	-	4	4	4	4	4
Vattenförbrukning (l/min)	-	-	≤5	≤5	≤9	≤9	≤9
Lufttryck (bar)	2	2	2	2	2	2	2
Luftflöde (l/min)	≤730	≤730	≤730	≤730	≤730	≤730	≤730

### Bullerdeklaration

	SB 52	SB 102	SB 152	SB 202	SB 302	SB 452	SB 552
Ljudtryck <sup>1</sup> dB(A)	89	87	86	90	91	94	98
Ljudeffekt <sup>2</sup> dB(A)	117	115	114	118	119	122	126

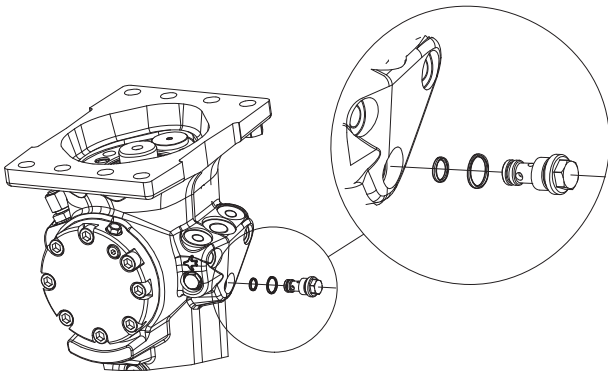
<sup>1</sup> Ljudtrycksnivå enligt EN ISO 3744 i enlighet med direktiv 2000/14/EG på 10 meters avstånd.

<sup>2</sup> Garanterad ljudeffektnivå enligt EN ISO 3744 i enlighet med direktiv 2000/14/EG inklusive tillverkningsspridning.

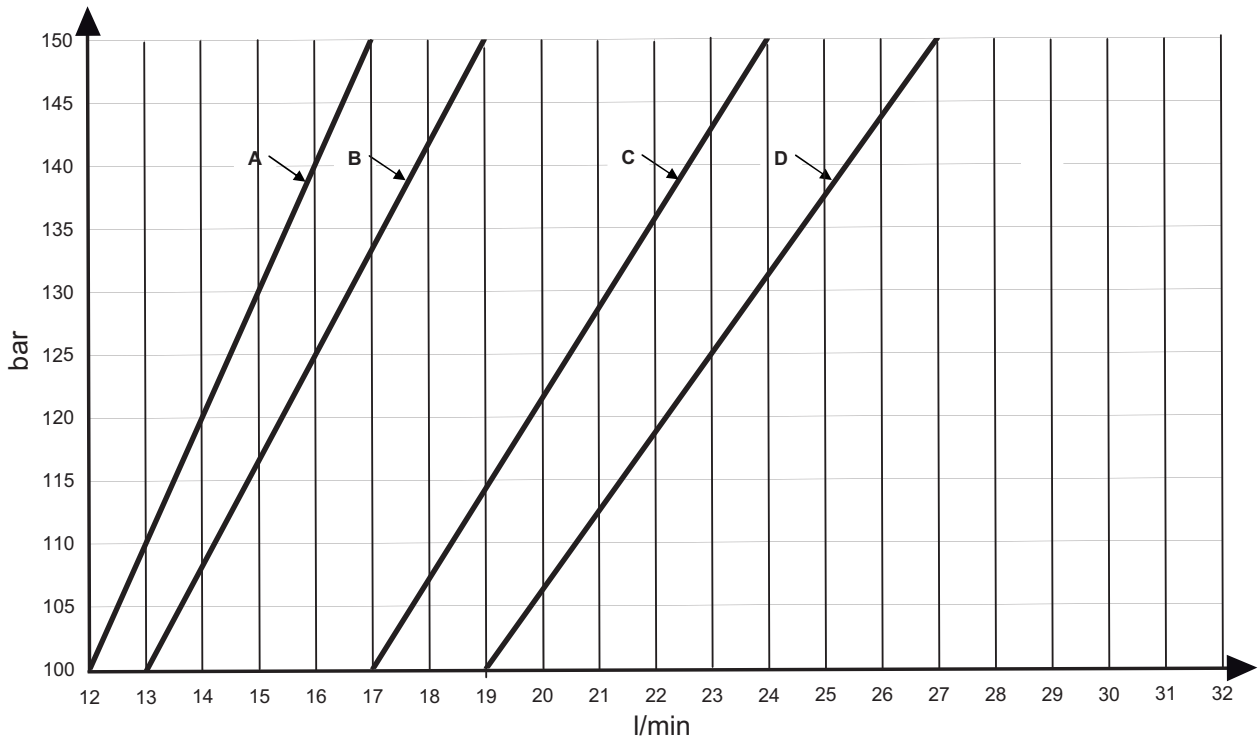
### Flödesdiagram för korrekt driftstryck

Det går att begränsa bärarens oljeflöde för att få rätt arbetsstryck. Strypningar kan beställas med hjälp av reservdelslistan.

Diagrammen visar oljeflödet vid viskositeten 32 cSt.

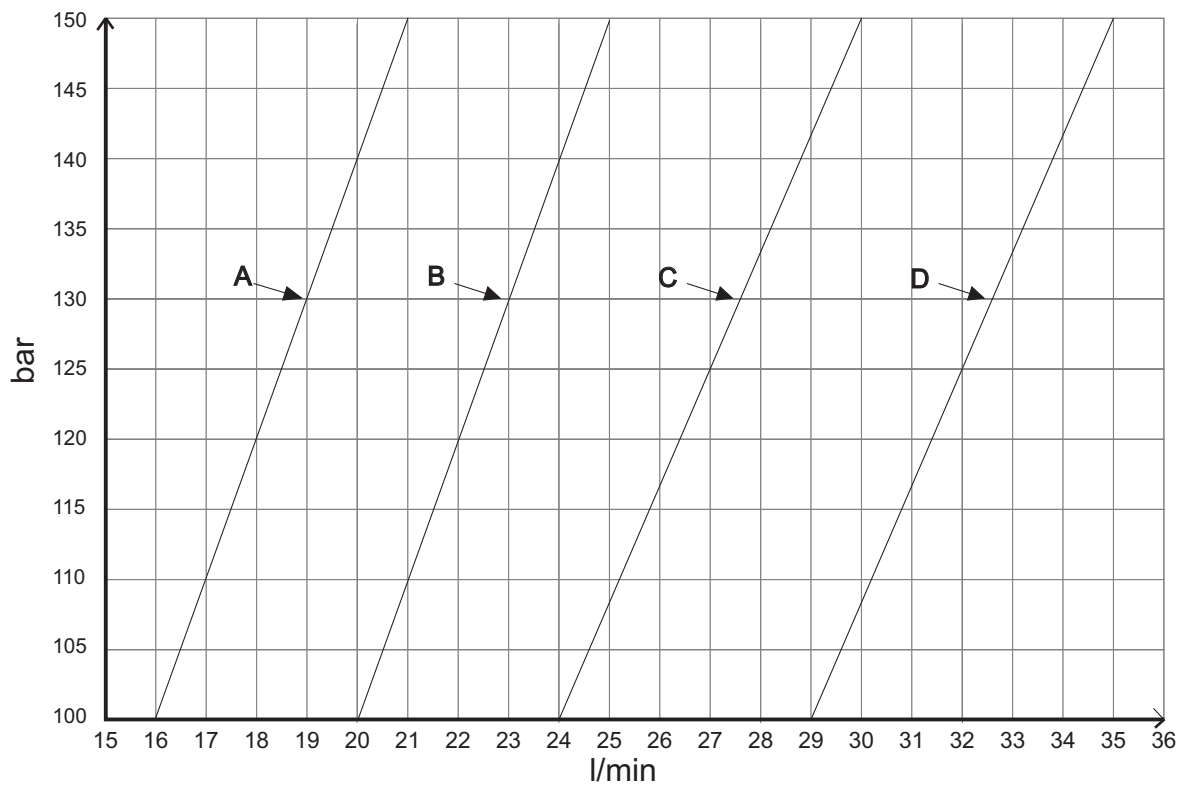


**SB 52: 100–150 bar**



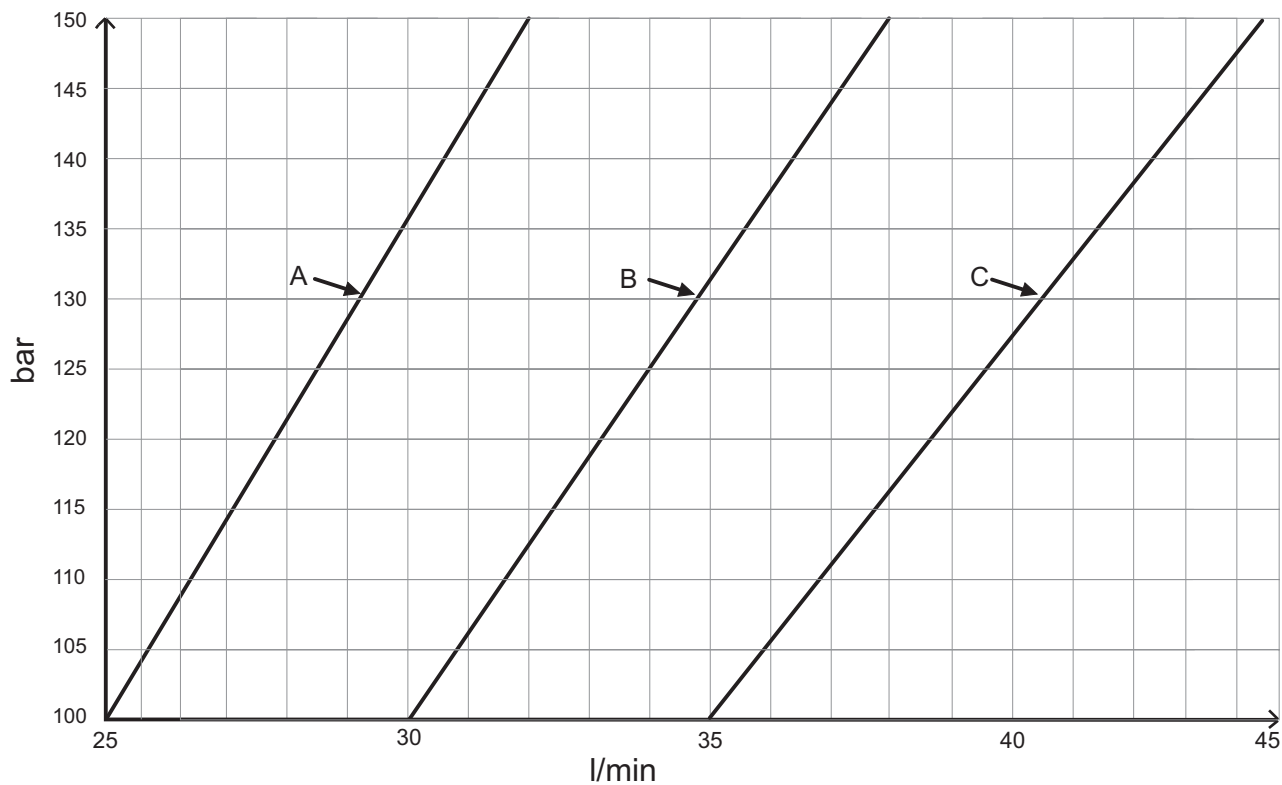
Strypning	Beställningsnummer	Strypning	Beställningsnummer
A	3315 2875 22	C	3315 2875 36
B	3315 2875 24	D (standard)	3315 2875 37

**SB 102: 100–150 bar**



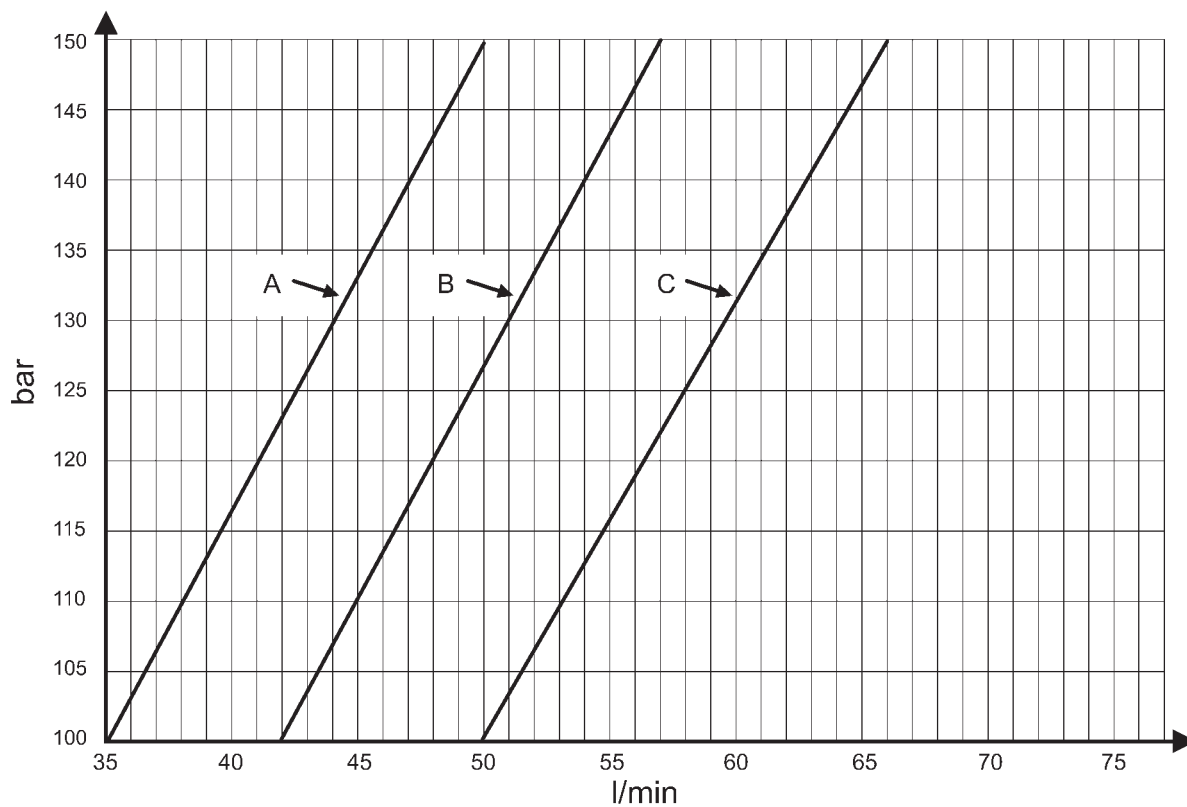
Strypning	Beställningsnummer	Strypning	Beställningsnummer
A	3315 2875 36	C	3315 2875 38
B	3315 2875 37	D (standard)	3315 2875 35

**SB 152: 100–150 bar**



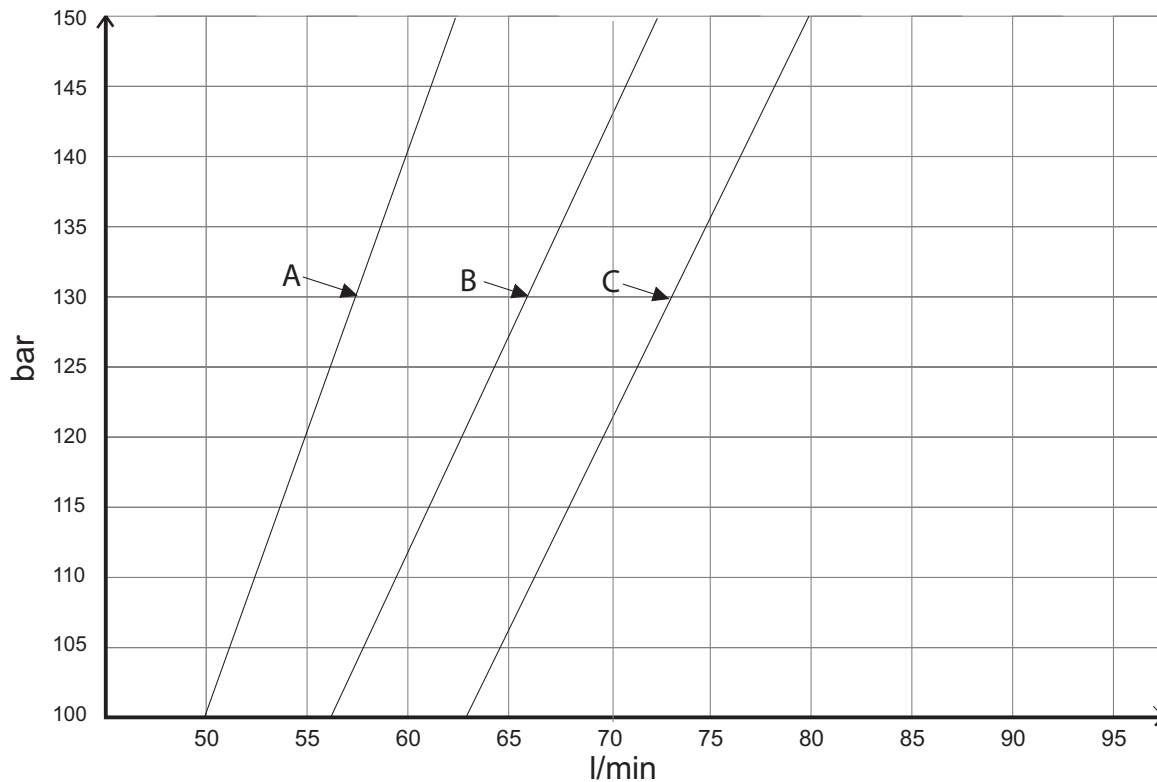
Strypning	Beställningsnummer	Strypning	Beställningsnummer
A	3315 2875 40	C (standard)	3315 2875 51
B	3315 2875 35		

**SB 202: 100–150 bar**



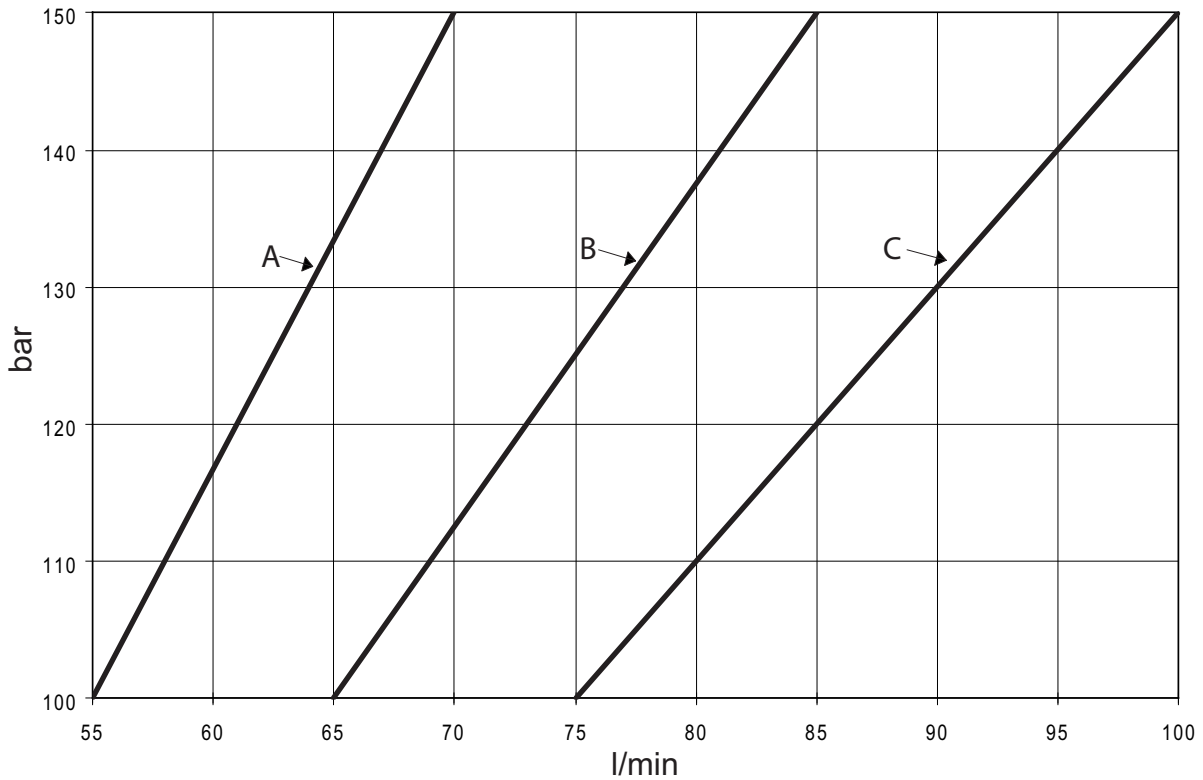
Strypning	Beställningsnummer	Strypning	Beställningsnummer
A	3315 2875 45	C (standard)	3315 3040 80
B	3315 2875 55		

**SB 302: 100-150 bar**



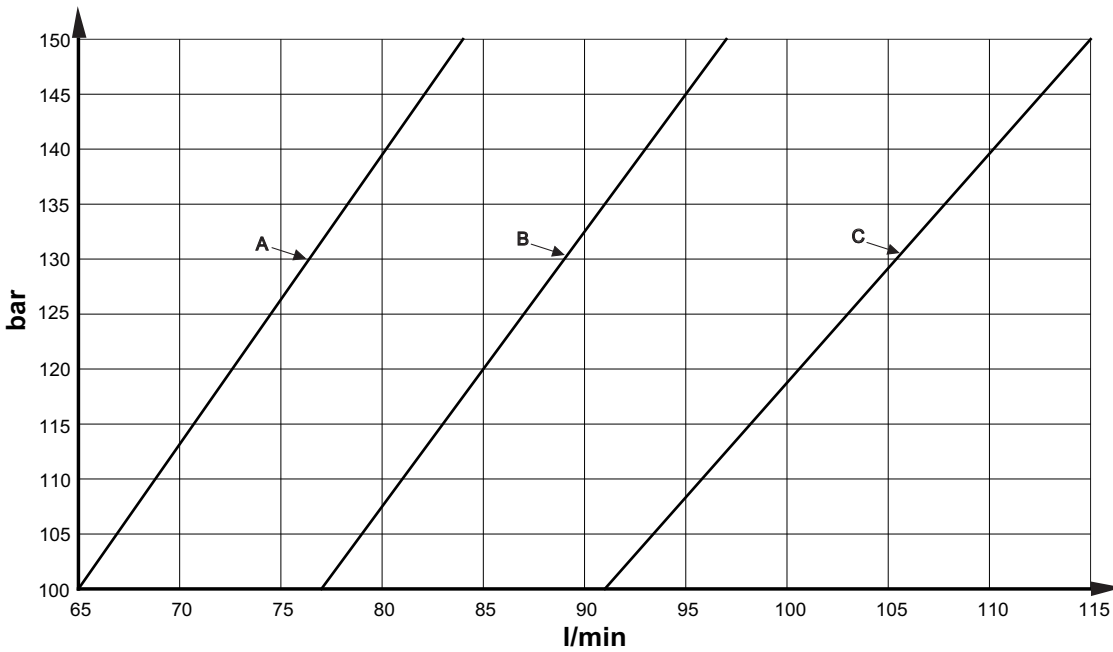
Strypning	Beställningsnummer	Strypning	Beställningsnummer
A	3315 3588 54	C (Standard)	3315 3588 63
B	3315 3152 35		

**SB 452: 100–150 bar**



Strypning	Beställningsnummer	Strypning	Beställningsnummer
A	3315 3152 35	C (Standard)	3315 3152 53
B	3315 3152 45		

**SB 552: 100–150 bar**



Strypning	Beställningsnummer	Strypning	Beställningsnummer
A	3315 3152 35	C (standard)	3315 3152 55
B	3315 3152 45		





POLSKI

**SPIS TREŚCI**

<b>Wprowadzenie</b> .....	325
<b>Uwaga na temat instrukcji bezpieczeństwa i obsługi</b> .....	325
<b>Instrukcje bezpieczeństwa</b> .....	326
<b>Ostrzeżenia użyte w tekście</b> .....	326
<b>Środki ostrożności i kwalifikacje personelu</b> .....	326
Transport.....	326
Instalacja, przechowywanie, konserwacja i utylizacja.....	326
Obsługa.....	326
Kontrola.....	326
Osobisty sprzęt ochronny.....	326
Środki odurzające, alkohol, leki.....	327
<b>Maszyna nośna, środki ostrożności</b> .....	327
<b>Uruchamianie, środki ostrożności</b> .....	327
Układ hydrauliczny.....	327
Montaż / Demontaż.....	327
<b>Obsługa, środki ostrożności</b> .....	328
<b>Przechowywanie, środki ostrożności</b> .....	329
<b>Konserwacja, środki ostrożności</b> .....	329
<b>Przegląd</b> .....	330
<b>Konstrukcja i działanie</b> .....	330
<b>Budowa młota</b> .....	330
<b>Znaki i naklejki</b> .....	330
Tabliczka znamionowa.....	331
Znak poziomemu hałasu.....	331
Znaki na akumulatorze ciśnieniowym.....	331
<b>Transport</b> .....	331
<b>Podnoszenie młota hydraulicznego</b> .....	331
<b>Uruchomienie</b> .....	332
<b>Przewody hydrauliczne i przyłącza</b> .....	332
<b>Olej hydrauliczny</b> .....	333
<b>Montaż</b> .....	333
<b>Regulacja ciśnienia</b> .....	334
<b>Natrysk wody</b> .....	335
<b>Narzędzia</b> .....	335
Wybór odpowiedniego narzędzia.....	335
Szpicak.....	335
Przecinak.....	335
Tępe narzędzie.....	335
Montaż i demontaż narzędzia.....	335
<b>Obsługa</b> .....	336
<b>Przygotowania do kucia</b> .....	336
Temperatura pracy.....	336
Prędkość obrotowa silnika.....	337
<b>Obsługa</b> .....	337
Kucie.....	337
Kucie pod wodą.....	339
<b>Konserwacja</b> .....	339
<b>Co dwie godziny</b> .....	339
Smarowanie smarownicą.....	339

Układ centralnego smarowania.....	340
<b>Codziennie</b> .....	340
<b>Co tydzień</b> .....	340
Granice zużycia.....	340
Wymiana tulei narzędzia roboczego.....	341
<b>Co 12 miesięcy</b> .....	341
<b>Przechowywanie</b> .....	341
<b>Utylizacja</b> .....	341
<b>Parametry techniczne</b> .....	342
<b>Parametry techniczne maszyny</b> .....	342
<b>Wydajność</b> .....	342
<b>Deklaracja emisji hałasu</b> .....	342
<b>Wykresy prawidłowego ciśnienia roboczego</b> .....	343
SB 52: 100-150 barów.....	343
SB 102: 100-150 barów.....	344
SB 152: 100-150 barów.....	345
SB 202: 100-150 barów.....	346
SB 302: 100-150 barów.....	347
SB 452: 100–150 barrów.....	348
SB 552: 100-150 barów.....	348



## Wprowadzenie

Dziękujemy za wybór produktu firmy Atlas Copco. Od 1873 r. staramy się znajdować nowe i coraz lepsze sposoby zaspokajania potrzeb naszych klientów. Zaprojektowaliśmy wiele nowatorskich i ergonomicznych konstrukcji, które pomagają klientom usprawniać i racjonalizować ich codzienną pracę.

Firma Atlas Copco dysponuje globalną siecią sprzedaży i serwisu, obejmującą centra obsługi klienta i dystrybutorów na całym świecie. Nasi eksperci to najwyższej klasy profesjonalści z bogatą wiedzą o produktach i praktyczną znajomością zastosowań. Dzięki naszemu wsparciu technicznemu klienci we wszystkich zakątkach świata mogą zawsze pracować z maksymalną wydajnością.

Więcej informacji na stronie: [www.atlascopco.com](http://www.atlascopco.com)

## Uwaga na temat instrukcji bezpieczeństwa i obsługi

Celem tej instrukcji jest dostarczenie wiedzy o tym, jak korzystać z młota hydraulicznego w sposób skuteczny i bezpieczny. Zawarliśmy w niej także porady i wskazówki odnośnie przeprowadzania regularnej konserwacji młota hydraulicznego.

Przed użyciem młota hydraulicznego po raz pierwszy należy dokładnie przeczytać niniejszą instrukcję i ją zrozumieć.

## Instrukcje bezpieczeństwa

Aby ograniczyć ryzyko odniesienia poważnych obrażeń, a nawet śmierci, przed uruchomieniem maszyny należy zapoznać się ze wskazówkami dotyczącymi bezpieczeństwa.

Instrukcje bezpieczeństwa należy wywiesić w miejscu pracy, rozdać ich kopie pracownikom i sprawdzić, czy zostały przeczytane przez każdego z nich przed rozpoczęciem obsługi lub serwisowania urządzenia.

Należy przestrzegać wszystkich przepisów bezpieczeństwa.

## Ostrzeżenia użyte w tekście

Ostrzeżenia użyte w tekście: Niebezpieczeństwo, Ostrzeżenie, Uwaga mają następujące znaczenie:

<b>NIEBEZPIECZEŃSTWO</b>	Wskazuje na niebezpieczną sytuację, której należy unikać, gdyż w przeciwnym razie będzie ona przyczyną śmierci lub poważnych obrażeń.
<b>OSTRZEŻENIE</b>	Wskazuje na niebezpieczną sytuację, której należy unikać, gdyż w przeciwnym razie może się stać przyczyną śmierci lub poważnych obrażeń.
<b>UWAGA</b>	Wskazuje na niebezpieczną sytuację, której należy unikać, gdyż w przeciwnym razie może się stać przyczyną większych lub mniejszych obrażeń.

## Środki ostrożności i kwalifikacje personelu

Obsługę i konserwację urządzenia wolno powierzać tylko przeszkolonym osobom o odpowiednich kwalifikacjach. Zawsze należy kierować się zdrowym rozsądkiem popartym prawidłową oceną sytuacji.

### Transport

Transport młota hydraulicznego może być wykonywany tylko przez osoby, które:

- posiadają uprawnienia do obsługi dźwigu lub wózka widłowego zgodnie z obowiązującymi w kraju przepisami,
- znają krajowe przepisy BHP oraz przepisy dotyczące zapobiegania wypadkom
- przeczytały ze zrozumieniem rozdział niniejszej instrukcji dotyczące bezpieczeństwa i transportu.

### Instalacja, przechowywanie, konserwacja i utylizacja

Instalacja, przechowywanie, konserwacja i utylizacja młota hydraulicznego może być przeprowadzana tylko przez osoby, które:

- znają krajowe przepisy BHP oraz przepisy dotyczące zapobiegania wypadkom
- przeczytały ze zrozumieniem Instrukcję obsługi wraz z instrukcją bezpieczeństwa.

### Obsługa

Młot hydrauliczny może być obsługiwany tylko przez wykwalifikowanych operatorów maszyny nośnej. Operatorzy maszyny nośnej posiadają odpowiednie kwalifikacje, jeśli:

- przeszli szkolenie w obsłudze maszyny nośnej zgodnie z obowiązującymi w danym kraju przepisami.
- znają krajowe przepisy BHP oraz przepisy dotyczące zapobiegania wypadkom
- przeczytali ze zrozumieniem Instrukcję obsługi wraz z instrukcją bezpieczeństwa.

### Kontrola

Kontrola młota hydraulicznego powinna być wykonywana tylko przez autoryzowany personel techniczny. Personel taki musi mieć upoważnienie do obsługi układu hydraulicznego zgodnie z obowiązującymi w danym kraju przepisami.

### Osobisty sprzęt ochronny

Zawsze stosuj odpowiedni sprzęt ochronny. Operatorzy oraz inne osoby przebywające w miejscu pracy muszą nosić sprzęt ochronny, w ramach którego powinny się znajdować co najmniej:

- Hełm ochronny
- Ochronniki słuchu
- Wytrzymałe na uderzenia okulary ochronne z zabezpieczeniem bocznym
- Środki ochrony dróg oddechowych w stosownych przypadkach
- Rękawice ochronne
- Odpowiednie obuwie ochronne

## Środki odurzające, alkohol, leki

### ▲ OSTRZEŻENIE Środki odurzające, alkohol, leki

Środki odurzające, alkohol i leki mogą mieć wpływ na umiejętność oceny sytuacji i koncentrację. Spowolniona reakcja i niewłaściwa ocena mogą prowadzić do poważnych obrażeń, a nawet śmierci.

- ▶ Nie wolno obsługiwać maszyny w stanie zmęczenia lub pod wpływem środków odurzających, alkoholu lub leków.
- ▶ Nikt będący pod wpływem środków odurzających, alkoholu lub leków nie ma prawa obsługiwać maszyny.

## Maszyna nośna, środki ostrożności

Przed użyciem lub transportem maszyny nośnej z zamocowanym młotem hydraulicznym należy uważnie przeczytać instrukcję obsługi i bezpieczeństwa dostarczoną przez producenta maszyny.

Należy się upewnić, że maszyna nośna wyposażona jest w odpowiednie zabezpieczenia, w tym ekran ochronny przed operatorem.

Młot hydrauliczny można montować tylko na maszynie nośnej o odpowiedniej ładowności.

Maszyna nośna nie posiadająca wystarczającej ładowności nie zapewnia wymaganej stabilności i może się wywrócić w trakcie pracy młota hydraulicznego, powodując obrażenia i uszkodzenia.

## Uruchamianie, środki ostrożności

### Układ hydrauliczny

#### ▲ NIEBEZPIECZEŃSTWO Sprężony gaz, niebezpieczeństwo wybuchu

Akumulator ciśnieniowy znajduje się pod ciśnieniem, nawet gdy układ hydrauliczny jest wyłączony. Próba zdemontowania akumulatora ciśnieniowego bez uprzedniego rozładowania ciśnienia azotu może spowodować poważne obrażenia lub śmierć.

- ▶ Akumulator wysokociśnieniowy wolno napełniać tylko azotem (N<sub>2</sub>).
- ▶ Akumulator ciśnieniowy może być obsługiwany tylko przez osoby upoważnione.

### ▲ OSTRZEŻENIE Olej hydrauliczny pod wysokim ciśnieniem

Wąskie strumienie oleju hydraulicznego pod wysokim ciśnieniem mogą przeniknąć przez skórę, wyrządzając trwałe szkody.

- ▶ Po wnikięciu oleju do skóry należy niezwłocznie skonsultować się z lekarzem.
- ▶ Nigdy nie wolno sprawdzać szczelności w układzie hydraulicznym palcami.
- ▶ Należy chronić twarz przed wszelkimi wyciekami.

### ▲ OSTRZEŻENIE Olej hydrauliczny

Wycieki oleju stwarzają ryzyko pożarów i wypadków związanych z poślizgnięciem się i zagrażają środowisku naturalnemu.

- ▶ Wszelkie plamy oleju należy usunąć zgodnie z obowiązującymi przepisami bezpieczeństwa i ochrony środowiska.
- ▶ Nie wolno demontować młota hydraulicznego zawierającego gorący olej hydrauliczny.
- ▶ Nie wolno przeprowadzać przewodów hydraulicznych służących do podłączenia młota hydraulicznego przez kabinę operatora.

### ▲ UWAGA Egzema na skórze

W kontakcie ze skórą olej hydrauliczny może wywoływać egzemę.

- ▶ Unikaj kontaktu rąk z olejem hydraulicznym.
- ▶ Do pracy z olejem hydraulicznym zawsze zakładaj rękawice ochronne.

### Montaż / Demontaż

#### ▲ OSTRZEŻENIE Części ruchome

Niebezpieczeństwo zmiżdżenia dłoni i palców.

- ▶ Nie wolno sprawdzać otworów lub przepustów rękami lub palcami.
- ▶ Wszelkie ruchy wysięgnika mogą mieć miejsce tylko w porozumieniu z personelem montującym młot hydrauliczny.
- ▶ Jeśli młot hydrauliczny jest zamontowany na szybkozłączu, należy się upewnić, że jest ono w sposób bezpieczny zablokowane i całkowicie wyeliminowane zostało niebezpieczeństwo poluzowania się młota.

## Obsługa, środki ostrożności

### ▲ NIEBEZPIECZEŃSTWO Niebezpieczeństwo eksplozji

W razie kontaktu narzędzia z materiałami wybuchowymi lub gazami o własnościach wybuchowych może nastąpić eksplozja. W trakcie pracy z niektórymi materiałami mogą się pojawić iskry i płomień. Eksplozja prowadzi do ciężkich obrażeń lub śmierci.

- ▶ Nigdy nie używaj maszyny w miejscach zagrożonych wybuchem.
- ▶ Nigdy nie używaj maszyny w pobliżu łatwopalnych materiałów, dymów lub pyłów.
- ▶ Upewnij się, czy nie ma niewykrytych źródeł gazu lub materiałów wybuchowych.

### ▲ OSTRZEŻENIE Ciśnienie robocze

Przekroczenie maksymalnego ciśnienia roboczego dla młota hydraulicznego może spowodować nadmierny wzrost ciśnienia akumulatora, a w konsekwencji uszkodzenie mienia i obrażenia osób.

- ▶ Młot hydrauliczny może być używany tylko przy odpowiednim ciśnieniu roboczym. Patrz „Parametry techniczne”.

### ▲ OSTRZEŻENIE Niebezpieczeństwo związane z krzemionką

Narażenie na działanie kryształków krzemionki (tzw. „pył krzemowy”), powstających wskutek kucia lub wykonywania innych czynności w skale, betonie, asfalcie lub innych materiałach, może być przyczyną krzemicy (poważnej choroby płuc), chorób związanych z krzemicą, raka, a nawet śmierci. Krzemionka jest jednym z najważniejszych składników skał, piasku i rud minerałów.

- ▶ Młoty SB są przygotowane do redukcji pyłu w celu zmniejszenia narażenia na działanie krzemionki.

### ▲ OSTRZEŻENIE Niebezpieczeństwo związane z pyłem

Niektóre pyły, dymy lub inne materiały przenoszone drogą powietrzną, powstające podczas pracy maszyny, mogą zawierać substancje chemiczne, które mogą wywoływać raka, wady wrodzone u dzieci i problemy z układem rozrodczym. Oto przykłady takich substancji:

- Krzemionka krystaliczna, cement oraz inne produkty murarskie.
- Arsen i chrom uwalniane przy chemicznej obróbce gumy.
- Ołów z farb na bazie ołowiu.
- ▶ W celu ograniczenia wystawienia na działanie tych substancji należy pracować w rejonach z dobrą wentylacją, używając zatwierdzonych środków ochrony indywidualnej, takich jak maski przeciwgazowe, specjalnie zaprojektowane do odfiltrowywania mikroskopijnych cząstek.

### ▲ OSTRZEŻENIE Porażenie prądem

Młot hydrauliczny nie ma izolacji elektrycznej. W przypadku bezpośredniej styczności młota z obwodem elektrycznym lub innym źródłem energii elektrycznej zachodzi niebezpieczeństwo poważnych obrażeń lub śmierci.

- ▶ Nie wolno pracować w pobliżu obwodów elektrycznych lub innych źródeł energii elektrycznej.
- ▶ Należy się upewnić, czy w obszarze roboczym nie ma ukrytych obwodów elektrycznych.

### ▲ OSTRZEŻENIE Odpryski

Odlamki i inne fragmenty rozbijanego materiału mogą być wyrzucane z dużą siłą, powodując obrażenia u operatora i innych osób. Małe obiekty spadające z dużych wysokości mogą spowodować poważne uszkodzenia.

- ▶ Obszar roboczy powinien być ogrodzony.
- ▶ Przed rozpoczęciem pracy należy się upewnić, że nikt nie przebywa w strefie zagrożenia, która rozciąga się w odległości 20 metrów od młota hydraulicznego w kierunku poziomym i pionowym.
- ▶ W przypadku pojawienia się osób w strefie zagrożenia należy natychmiast wyłączyć młot hydrauliczny.

### ▲ OSTRZEŻENIE Zagrożenia związane z hałasem

Wysoki poziom hałasu może być przyczyną całkowitej utraty słuchu.

- ▶ Stosuj ochronniki słuchu zgodnie z przepisami BHP.



## Przechowywanie, środki ostrożności

---

### ▲ OSTRZEŻENIE Młot hydrauliczny i narzędzia robocze są ciężkie

- ▶ Młot hydrauliczny i narzędzie robocze należy przechowywać w sposób wykluczający przewrócenie się lub stoczenie.

### ▲ UWAGA Gorące narzędzie

W trakcie pracy czubek narzędzia silnie się rozgrzewa. Dotknięcie go może spowodować oparzenia.

- ▶ Nie dotykaj rozgrzanego narzędzia.
- ▶ Przed przystąpieniem do prac konserwacyjnych odczekaj, aż narzędzie ostygnie.

## Konserwacja, środki ostrożności

---

### ▲ OSTRZEŻENIE Mimowolne uruchomienie urządzenia

Mimowolne uruchomienie młota hydraulicznego może prowadzić do poważnych obrażeń.

- ▶ W celu niedopuszczenia do mimowolnego uruchomienia młota hydraulicznego należy się ściśle stosować do wskazówek zawartych w instrukcji obsługi maszyny nośnej.
- ▶ Obwód rozruchowy młota hydraulicznego musi być zainstalowany w sposób wykluczający mimowolne uruchomienie.
- ▶ Przycisk nośny w maszynie nośnej musi być wyposażony w osłonę ochronną.

### ▲ OSTRZEŻENIE Układ hydrauliczny pod wysokim ciśnieniem

Poddawanie młota hydraulicznego znajdującego się pod ciśnieniem czynnościom serwisowym może prowadzić do poważnych obrażeń. Może nastąpić nagłe poluzowanie się połączeń, przesunięcie elementów lub wytrysnięcie strumienia oleju hydraulicznego.

- ▶ Przed wykonaniem dowolnych czynności serwisowych w odniesieniu do młota hydraulicznego lub maszyny nośnej należy rozładować ciśnienie w układzie hydraulicznym.

### ▲ OSTRZEŻENIE Modyfikacje maszyny

Jakiegolwiek modyfikacje maszyny grożą obrażeniami operatora lub osób postronnych.

- ▶ Nie wolno wprowadzać modyfikacji do maszyny.
- ▶ Należy zawsze używać wyłącznie oryginalnych części zamiennych i akcesoriów eksploatacyjnych zatwierdzonych przez firmę Atlas Copco.

## Przegląd

Aby ograniczyć ryzyko odniesienia poważnych obrażeń ciała, a nawet śmierci, przed uruchomieniem maszyny operator musi zapoznać się ze Wskazówkami dotyczącymi bezpieczeństwa zamieszczonymi na poprzednich stronach niniejszego podręcznika.

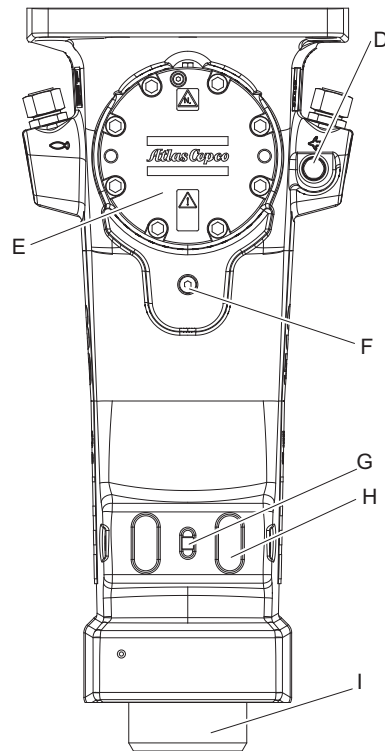
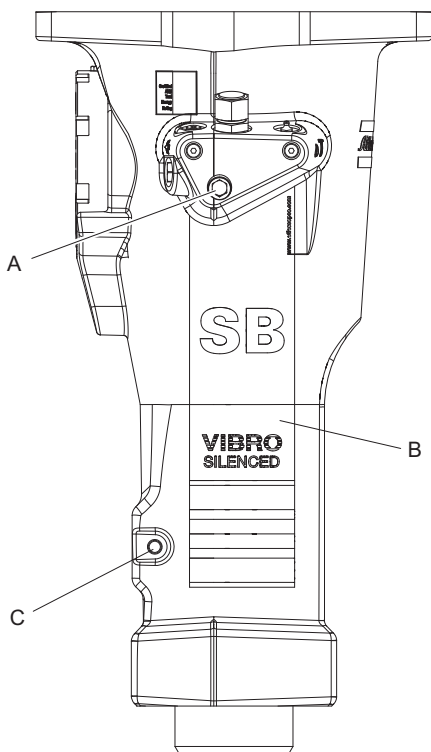
## Konstrukcja i działanie

SB to gama montowanych jako osprzęt młotów hydraulicznych przeznaczonych do wszelkich prac wyburzeniowych.

SB jest skrótem od Solid Body, co oznacza, że korpus młota jest jednoczęściowy. Akumulator ciśnieniowy jest zintegrowany z korpusem.

Sterowanie młotem hydraulicznym odbywa się z kabiny operatora maszyny nośnej przy użyciu układu hydraulicznego nośnika. Częstotliwością pracy młota steruje przepływ oleju z maszyny.

## Budowa młota

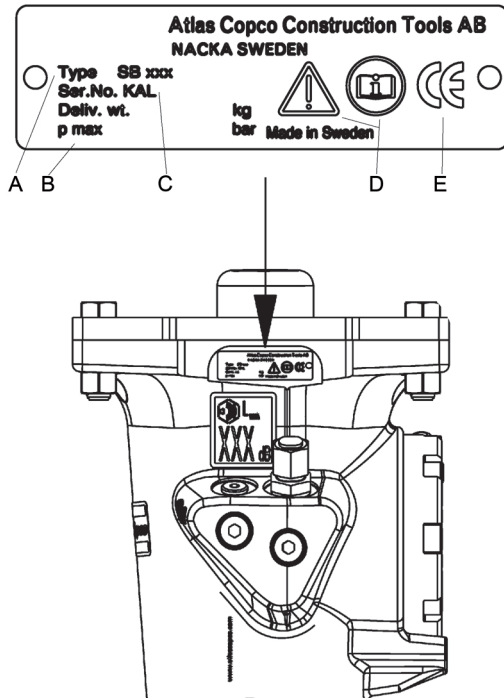


- A. Dławik przepływu
- B. Korpus młota
- C. Sworzeń zabezpieczający
- D. Zawór bezpieczeństwa
- E. Akumulator ciśnieniowy
- F. Korek spustowy oleju
- G. Zderzak blokujący
- H. Blokada narzędzia
- I. Tuleja

## Znaki i naklejki

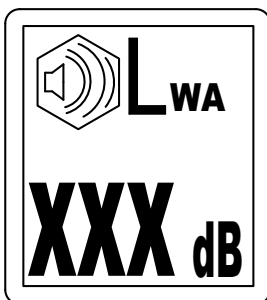
Maszyna wyposażona jest w znaki i naklejki zawierające ważne informacje dotyczące bezpieczeństwa ludzi i konserwacji maszyny. Znaki i naklejki powinny być zawsze czytelne. Nowe znaki i naklejki można zamówić z listy części zamiennych.

### Tabliczka znamionowa



- A. Typ urządzenia
- B. Maksymalne ciśnienie oleju hydraulicznego
- C. Numer seryjny
- D. Symbol ostrzeżenia połączony z symbolem książki oznacza, że użytkownik musi przeczytać instrukcję bezpieczeństwa i obsługi przed pierwszym użyciem urządzenia.
- E. Symbol CE oznacza, że urządzenie posiada świadectwo zgodności CE. Więcej informacji zawiera Deklaracja Zgodności CE dołączona do maszyny.

### Znak poziomy hałasu



Ta naklejka wskazuje gwarantowany poziom hałasu zgodnie z Dyrektywą 2000/14/WE Parlamentu Europejskiego i Rady. W celu uzyskania dokładnych informacji o poziomie hałasu – patrz „Parametry techniczne”.

### Znaki na akumulatorze ciśnieniowym



Przed serwisowaniem lub wymianą należy się dokładnie zapoznać z instrukcją remontową.



Akumulator ciśnieniowy ładować tylko azotem.

**UWAGA!** Akumulator ciśnieniowy może być obsługiwany tylko przez osoby upoważnione.

## Transport

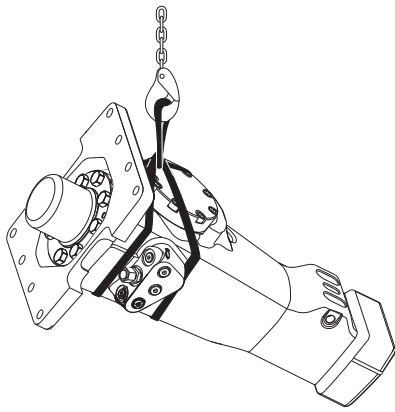
### Podnoszenie młota hydraulicznego

#### ▲ OSTRZEŻENIE Spadający młot może spowodować obrażenia

- Ustaw młot hydrauliczny w bezpiecznym położeniu uniemożliwiającym upadek i spowodowanie obrażeń.

W czasie transportu, czynności serwisowych lub innych czynności przy młocie hydraulicznym należy dokładnie sprawdzić, czy maszyna nośna jest dostatecznie stabilna.

Młot hydrauliczny jest dostarczany w skrzyni. W celu jego bezpiecznego podniesienia należy zamocować taśmę do podnoszenia w sposób pokazany na poniższej ilustracji.



## Uruchomienie

Przed zamontowaniem młota hydraulicznego na maszynie nośnej lub przystąpieniem do pracy przy użyciu młota należy się zapoznać z instrukcją obsługi i bezpieczeństwa dostarczonymi przez producenta maszyny nośnej. Postępuj zgodnie ze wskazówkami.

Maszyna nośna musi być wyposażona w odpowiedni układ hydrauliczny umożliwiający pracę młota.

Jeśli maszyna nośna jest zbyt duża dla danego typu młota hydraulicznego, może to prowadzić do pęknięcia narzędzi roboczych i zwiększonego zużycia. W celu właściwego doboru maszyny nośnej – patrz „Parametry techniczne”.

Przed przystąpieniem do eksploatacji muszą być sprawdzone urządzenia zabezpieczające w układzie hydraulicznym pod kątem jakości (znak EC itd.), właściwego dobrania i prawidłowego działania przez uprawniony personel/przełożonego.

## Przewody hydrauliczne i przyłącza

### ▲ OSTRZEŻENIE Luźny przewód hydrauliczny pod ciśnieniem

W przypadku poluzowania się połączeń śrubowych znajdujących się pod ciśnieniem przewód hydrauliczny może zacząć wykonywać gwałtowne, niekontrolowane ruchy. Bijący przewód hydrauliczny może spowodować poważne obrażenia.

- ▶ Przed poluzowaniem przyłącza przewodu hydraulicznego należy bezwzględnie zredukować ciśnienie w układzie hydraulicznym.
- ▶ Nakrętki na przyłączach przewodów hydraulicznych należy dokręcić wymaganym momentem.

Typ złączki wkrętnej: Standardowa złączka wkrętna Atlas Copco ORFS. Wymiary złączki wkrętnej można znaleźć w wykazach części zamiennych.

Do podłączenia młota hydraulicznego do maszyny nośnej należy stosować przewody hydrauliczne o jakości co najmniej 2SC (wg EN 857). W przypadku użycia szybkozłączy zalecamy stosowanie szybkozłączy typu „Flat Face”. Jest to wytrzymałe i łatwe do czyszczenia połączenie. Klasa ciśnieniowa szybkozłączy musi być zgodna z ciśnieniem roboczym nośnika.

Zawsze czyścić szybkozłączki przewodów przed montażem lub demontażem. Podczas demontażu zatykać zawsze przewody i złączki wkrętne przewodów czystymi i szczelnymi korkami.

### Przyłącza przewodów hydraulicznych Prawa strona (widziane z miejsca operatora)

	Przedmuch powietrzem	Centralne smarowanie	Zbiornik, przewód powrotny
Symbol			
SB 52	G 1/4"	G 1/4"	G 3/8"
SB 102	G 1/4"	G 1/4"	G 1/2"
SB 152	G 1/4"	G 1/4"	G 1/2"
SB 202	G 1/4"	G 1/4"	G 1/2"
SB 302	G 1/4"	G 1/4"	G 3/4"
SB 452	G 1/4"	G 1/4"	G 3/4"
SB 552	G 1/4"	G 1/4"	G 1"

### Przyłącza przewodów hydraulicznych Lewa strona (widziane z miejsca operatora)

	Woda	Ciśnienie do młota	Ciśnienie do ContiLube©II
Symbol			
SB 52	-	G 3/8"	G 1/4"
SB 102	-	G 1/2"	G 1/4"
SB 152	G 1/4"	G 1/2"	G 1/4"
SB 202	G 1/4"	G 1/2"	G 1/4"
SB 302	G 1/4"	G 3/4"	G 1/4"
SB 452	G 1/4"	G 3/4"	G 1/4"
SB 552	G 1/4"	G 1"	G 1/4"

### Moment dokręcenia przewodu ciśnieniowego i powrotnego

SB 52	60 Nm
SB 102	150 Nm
SB 152	150 Nm
SB 202	150 Nm
SB 302	210 Nm
SB 452	210 Nm
SB 552	300 Nm

## Olej hydrauliczny

Olej hydrauliczny stosowany w maszynie nośnej służy także do zasilania młota hydraulicznego.

Podłączenie młota hydraulicznego do nośnika powoduje, że olej hydrauliczny szybciej ulega zanieczyszczeniu. Przy wymianie oleju i filtra oleju należy postępować zgodnie ze wskazówkami dotyczącymi nośnika. Gdy zamontowany jest młot hydrauliczny zwykle wymiana filtra oleju następuje częściej.

Młoty hydrauliczne SB wyposażone są w korek spustowy służący do spuszczenia oleju przed zdemontowaniem urządzenia. Ma to na celu ograniczenie niebezpieczeństwa rozlania oleju.

**UWAGA!** W momencie dostawy młota SB znajduje się w nim pewna ilość mineralnego oleju hydraulicznego. Przed podłączeniem młota do układu hydraulicznego maszyny nośnej należy sprawdzić, jakiego rodzaju olej hydrauliczny jest w nim stosowany. Mieszanie olejów hydraulicznych różnych rodzajów może drastycznie pogorszyć jakość smarowania, co może doprowadzić do uszkodzenia maszyny.

## Montaż

### ▲ OSTRZEŻENIE Spadający młot może spowodować obrażenia

- Ustaw młot hydrauliczny w bezpiecznym położeniu uniemożliwiającym upadek i spowodowanie obrażeń.

Przed podłączeniem młota hydraulicznego wymusić przepływ oleju hydraulicznego. Ma to na celu zapewnienie czystości oleju hydraulicznego. Zastosować taką samą procedurę, jak przy wymianie przewodu hydraulicznego. Więcej informacji – patrz „Olej hydrauliczny”.

1. Podłączyć przewód ciśnieniowy i powrotny.

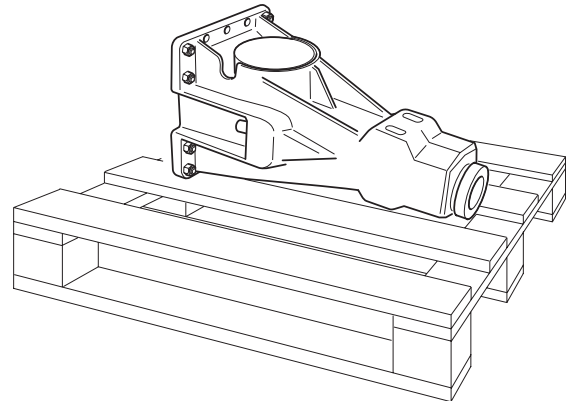


2. Wymusić przepływ oleju hydraulicznego przez filtr oleju w maszynie nośnej przez około 3 minuty w celu zapewnienia czystości przewodów.

### Przygotowanie

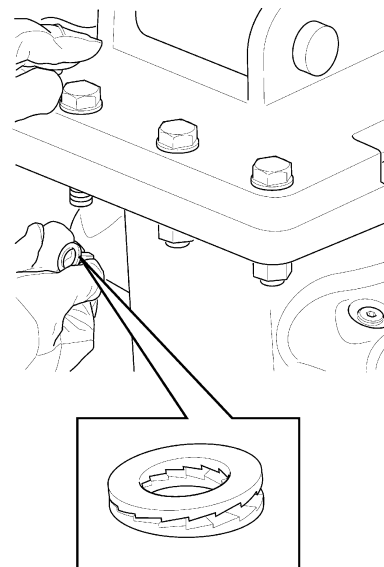
1. Ustawić młot w położeniu, w którym łatwo i bezpiecznie będzie można zamontować płytę adaptacyjną.

**UWAGA!** Młot należy zamontować w taki sposób, by akumulator ciśnieniowy znalazł się od strony kabiny operatora. Ma to na celu ograniczenie niebezpieczeństwa uszkodzenia akumulatora.



### Montaż płyty adaptacyjnej

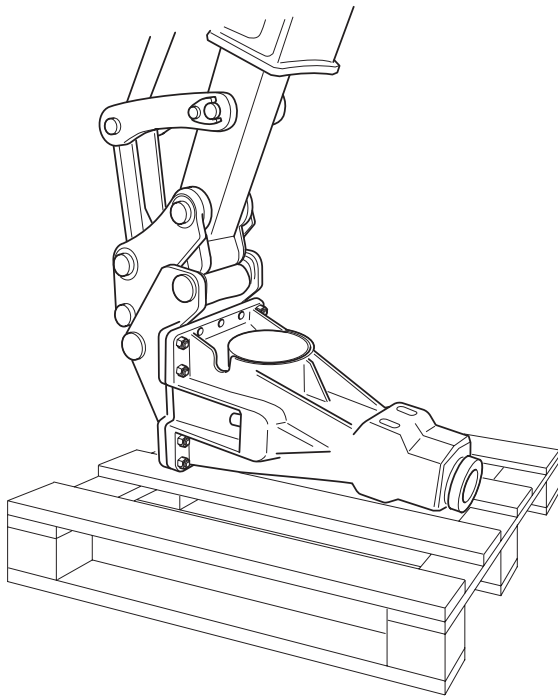
2. Jeśli nie są dostępne śruby Tough lock dostarczane przez Atlas Copco, zalecamy użycie pod śrubami i nakrętkami podkładek NORD-LOCK™ (NORD-LOCK™ jest zarejestrowanym znakiem handlowym Nord-Lock AB w Stanach Zjednoczonych i/lub innych krajach).



Płyta adaptacyjna	Moment dokręcania
SB 52	290 Nm
SB 102	200 Nm
SB 152	200 Nm
SB 202	200 Nm
SB 302	170 Nm
SB 452	400 Nm
SB 552	400 Nm

#### Podłączenie młota do maszyny nośnej

3. Położyć młot w taki sposób, by dostęp do niego był swobodny.



Wlotowe przyłącze ciśnieniowe znajduje się w młocie hydraulicznym po lewej stronie, patrząc od strony akumulatora ciśnieniowego. Jeśli przewód ciśnieniowy znajduje się po przeciwnej stronie ramienia łyżki, można skrzyżować przewody lub odwrócić młot hydrauliczny.

4. Ostrożnie opuścić jarzmo wysięgnika w płytę adaptacyjną.

#### ▲ OSTRZEŻENIE Części ruchome mogą miażdżyć i obcinać

- Nie wolno sprawdzać otworów lub przepustów rękami lub palcami.

Ruchem ramienia łyżki powinna kierować osoba asystująca w taki sposób, by otwory w ramieniu łyżki pokryły się z otworami w płycie adaptacyjnej.

Należy uzgodnić z asystentem jednoznaczne znaki ręką używane w trakcie procedury montażu.

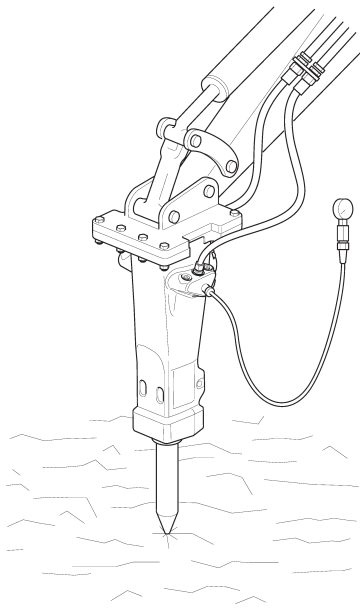
5. Włożyć sworzeń i zablokować.
6. Unieść młot hydrauliczny za pomocą wysięgnika.
7. Wysunąć siłownik łyżki tak, by otwór w mechanizmie kolankowym pokrył się z otworem w płycie adaptacyjnej. Włożyć zawleczkę mechanizmu kolankowego i zablokować.
8. Po zamontowaniu młota ostrożnie wysunąć i cofnąć siłownik łyżki do skrajnych położeń we wszystkich kierunkach. Ważne jest, by siłownik można było bez trudności całkowicie wysunąć i cofnąć.

## Regulacja ciśnienia

Młoty serii SB są wyposażone w zawór bezpieczeństwa służący do zabezpieczenia młota. Do sprawdzania i regulacji ciśnienia roboczego młota hydraulicznego (maks. 150 barów) w trakcie pracy służy manometr.

- Jeśli ciśnienie robocze przekracza wartość 150 barów, należy je obniżyć. Trzeba zredukować przepływ oleju z maszyny nośnej, by ciśnienie obniżyło się do 150 barów. Regulacja ta jest ważna, ponieważ ma na celu przeciwdziałanie otwarciu się wbudowanego w młot zaworu bezpieczeństwa, co powoduje wsteczny przepływ oleju do zbiornika i problemy z przegrzaniem.
- Jeśli ciśnienie robocze zawiera się w przedziale 130-150 barów, nie zachodzi potrzeba jego regulacji.
- Jeśli przepływ oleju z nośnika jest zbyt mały do utrzymania ciśnienia roboczego na akceptowalnym poziomie, należy wymienić regulator ciśnienia w młocie. W celu dokonania wyboru optymalnego regulatora – patrz wykresy w „Parametrach technicznych”.





W celu dokonania regulacji ciśnienia przy użyciu manometru należy ustawić młot hydrauliczny pionowo w stosunku do podłoża.

## Natrysk wody

Młot hydrauliczny jest przystosowany do współpracy z natryskiem wody. Funkcja ta ma na celu wiązanie cząstek pyłu w trakcie prac wyburzeniowych.

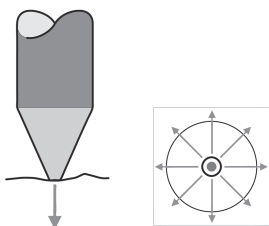
Przy podłączaniu wody do natrysku należy wymienić korek z przodu młota na dyszę wodną. Przy zamawianiu nowej dyszy wodnej – patrz lista części zamiennych.

Do doprowadzenia wody należy użyć giętkiego przewodu hydraulicznego 1/4" z przyłączem JIC. Zużycie wody przy ciśnieniu 4 bary wynosi 6,6 l/min. W celu uzyskania dokładniejszych informacji należy się skontaktować z serwisem Atlas Copco.

## Narzędzia

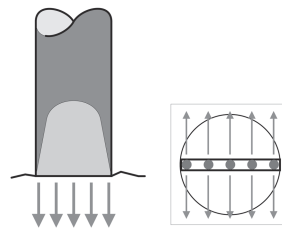
### Wybór odpowiedniego narzędzia

#### Szpicak



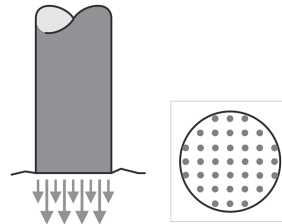
- Bardzo dobra penetracja
- Regularne rozłożenie działania ostrza
- Brak efektu skrętnego

#### Przecinak



- Bardzo dobre rozłożenie działania ostrza
- Dobra penetracja
- Efekt skrętny

#### Tępe narzędzie



- Bardzo dobre przyłożenie energii
- Optymalna skuteczność kucia
- Brak efektu skrętnego

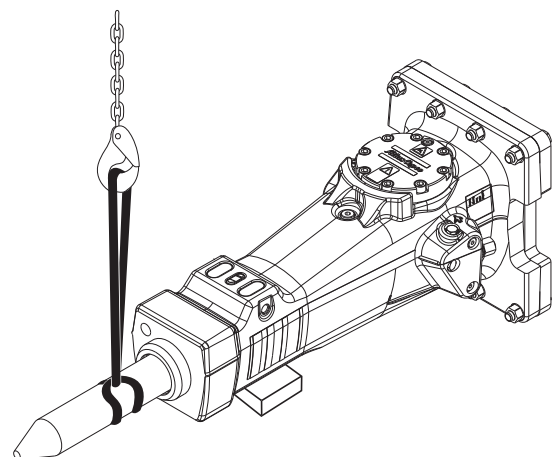
### Montaż i demontaż narzędzia

#### ▲ OSTRZEŻENIE Uruchomiony silnik

Wymiana założonego narzędzia w trakcie pracy silnika maszyny nośnej może być przyczyną poważnych obrażeń.

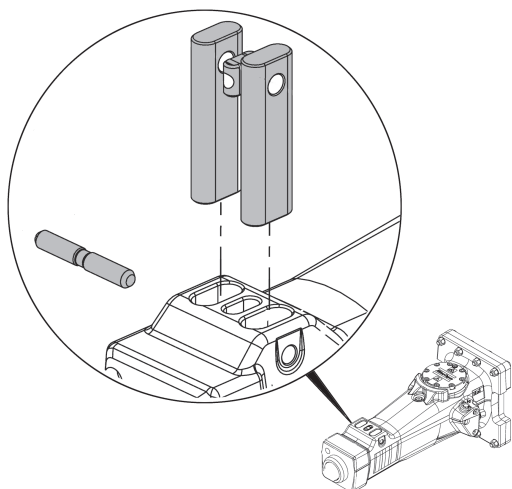
- ▶ Zabezpieczyć nośnik przed przypadkowym uruchomieniem.

1. Przed wymianą narzędzia wyłączyć silnik maszyny nośnej.
2. Narzędzie należy montować i demontować przy użyciu zawiesia w celu zmniejszenia ryzyka zmiężdżenia części ciała.



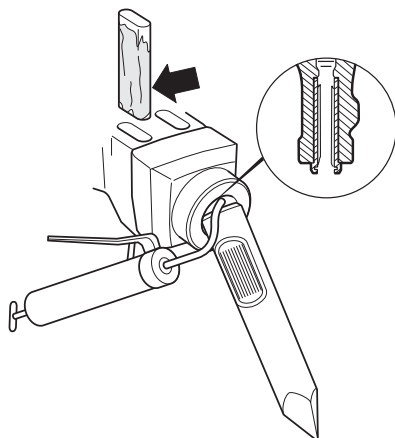
Niektóre narzędzia są ciężkie, dlatego należy je podnosić i odstawiać w bezpieczny sposób.

3. Sprawdzić, czy sworzeń blokujący nie jest zużyty lub uszkodzony.



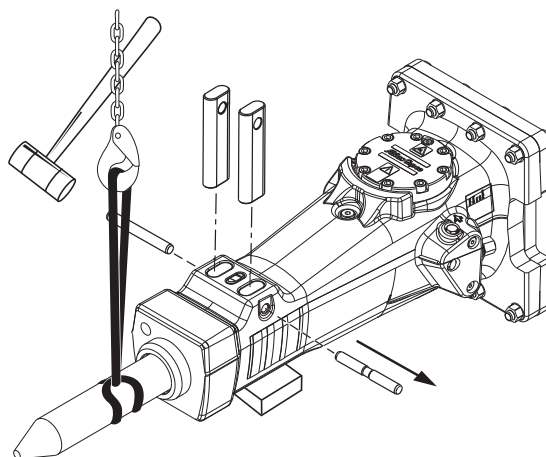
Sworzeń blokujący w uchwycie narzędzia jest wykonany z tworzywa sztucznego i może ulec stopieniu przy pracy w wysokich temperaturach. W takim przypadku należy wymienić standardowy sworzeń. Opcjonalnie stosuje się sworzeń sprężysty – patrz wykaz części zamiennych.

4. Oczyszczyć i obficie przesmarować tuleję. Jest to szczególnie ważne przy zakładaniu nowego narzędzia.



5. Założyć narzędzie.
6. Obrócić narzędzie w celu rozprowadzenia środka smarnego.
7. Założyć blokady narzędzia – po jednej na raz.

8. Wsunąć sworzeń, aż zderzak blokujący zaskoczy w rowku sworznia.



Przy wyjmowaniu narzędzia należy powyższe czynności wykonywać w odwrotnej kolejności.

## Obsługa

**UWAGA!** Młota hydraulicznego ani narzędzia roboczego nie można używać jako urządzenia do podnoszenia. Przy podnoszeniu ciężkich elementów używać haka na ramieniu maszyny nośnej.

## Przygotowania do kucia

### Temperatura pracy

Młot hydrauliczny może pracować w przedziale temperatur od - 20 °C do + 80 °C.

#### ▲ UWAGA Zagrożenie w związku z temperaturą

W przypadku korzystania z młota hydraulicznego w wyższej lub niższej temperaturze uszkodzeniu ulec może sam młot, a także układ hydrauliczny nośnika.

- ▶ Młot hydrauliczny można uruchamiać tylko wtedy, gdy olej hydrauliczny osiągnął właściwą temperaturę roboczą.
- ▶ Jeśli temperatura na zewnątrz wynosi poniżej - 20 °C, należy podgrzać narzędzie i młot hydraulicznych przez użyciem.
- ▶ Nie wolno używać młota hydraulicznego, jeśli temperatura oleju przekroczy + 80 °C, ponieważ jego jakość staje się nieodpowiednia, co znacznie skraca żywotność uszczelek i O-ringów.



### Prędkość obrotowa silnika

Zbyt wysoka prędkość obrotowa silnika powoduje jedynie zwiększenie zużycia paliwa i podwyższenie temperatury oleju. Należy dostosować prędkość obrotową silnika do zalecanej wartości w celu uzyskania prawidłowego roboczego przepływu oleju.

## Obsługa

---

### Kucie

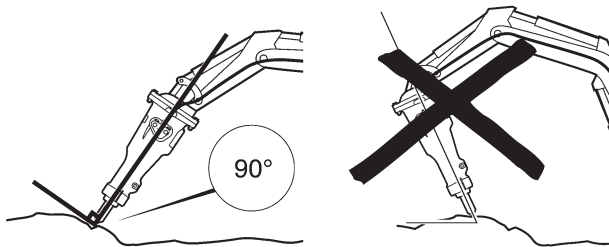
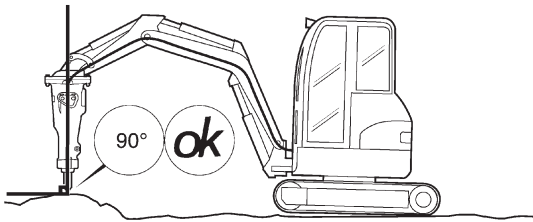
#### **▲ UWAGA Niebezpieczeństwo związane z maszyną i narzędziem**

Ciągła praca przy pełnym wysunięciu/cofnięciu może spowodować uszkodzenie siłowników hydraulicznych.

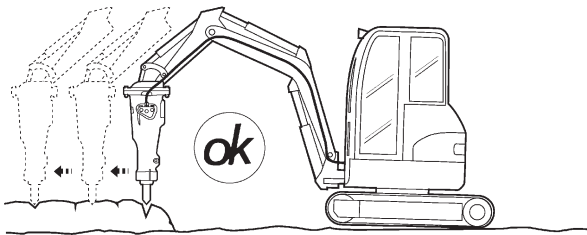
- ▶ Należy unikać pracy młota przy całkowicie wysuniętych lub cofniętych siłownikach.
- ▶ Zmienić położenie maszyny nośnej lub wysięgnika w celu uniknięcia całkowitego wysunięcia lub cofnięcia siłowników.
- ▶ Uważaj i patrz na to, co robisz.

Nigdy nie wolno uruchamiać młota, zanim maszyna nośna i młot hydrauliczny nie znajdą się w prawidłowym położeniu.

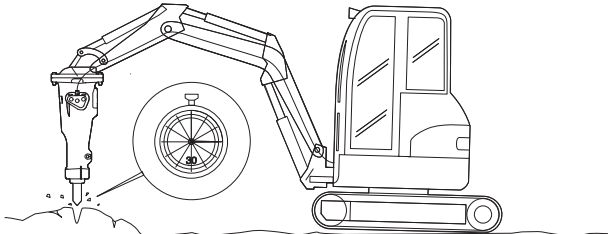
- ◆ Młot hydrauliczny ustawić pod kątem 90° w stosunku do rozkuwanej powierzchni.



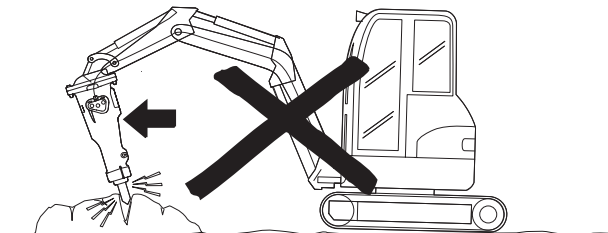
- ◆ Rozpoczynać pracę blisko krawędzi i kierować się w stronę środka. Nigdy nie rozpoczynać pracy w środku dużych obiektów.



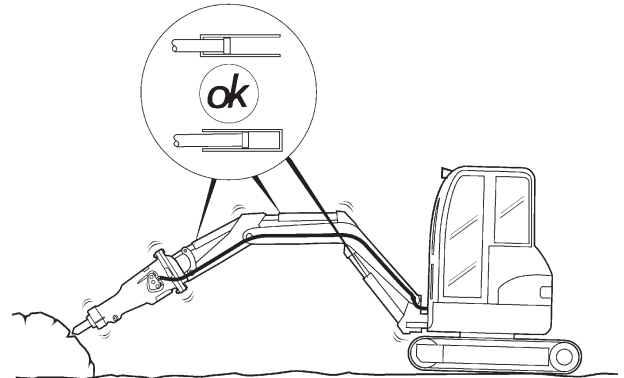
- ◆ Nigdy nie pracować młotem hydraulicznym dłużej niż 15 sekund w jednym punkcie. Jeśli obiekt nie uległ pęknięciu, przenieść narzędzie robocze w nowe miejsce.



- ◆ Nigdy nie zginać narzędzia.

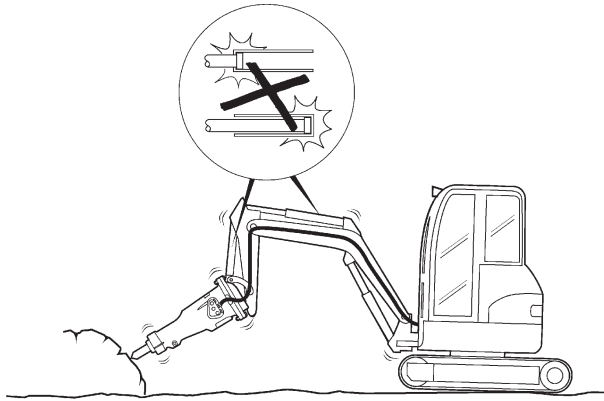


- ◆ Stosować prawidłowe ciśnienie zasilania. Przy prawidłowym ciśnieniu zasilania młot hydrauliczny pracuje w sposób optymalny, a wibracje utrzymują się na minimalnym poziomie. Również zużycie tulei i narzędzia ograniczone jest do minimum.

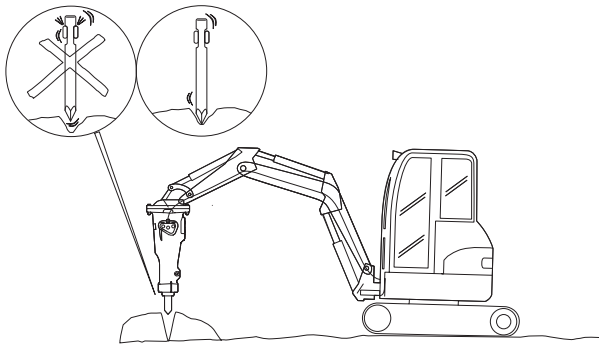


- ◆ Należy słuchać pracy młota hydraulicznego. Dźwięk zmienia się, gdy narzędzie ustawi się ukośnie względem tulei.

- ◆ Nigdy nie pracować młotem, gdy siłowniki wysięgnika znajdują się w położeniach skrajnych. Może to spowodować uszkodzenie maszyny nośnej.

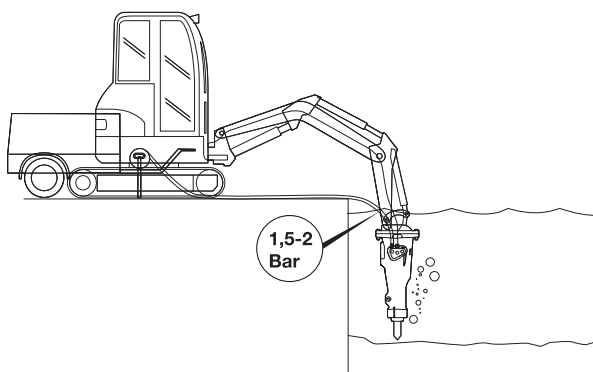


- ◆ Unikać uderzeń jałowych; powodują one zużycie narzędzia roboczego i blokad narzędzia.



### Kucie pod wodą

Młoty hydrauliczne mogą być stosowane do pracy pod wodą.



Przy pracy pod wodą młot hydrauliczny musi być zasilany sprężonym powietrzem w celu niedopuszczenia wody w obszar między bijakiem a narzędziem roboczym. W przypadku wypełnienia wodą obszaru między bijakiem a narzędziem roboczym, może się ona przedostać do układu hydraulicznego przy uruchamianiu młota hydraulicznego.

Ciśnienie powietrza przy wlocie powietrza do młota powinno wynosić 1,5-2 bary. Zużycie powietrza – patrz „Parametry techniczne”. Właściwym przewodem jest przewód hydrauliczny 1/4” z przyłączem JIC. W celu uzyskania bliższych informacji należy się skontaktować z serwisem Atlas Copco.

## Konserwacja

Utrzymanie maksymalnej wydajności młota wymaga jego regularnej konserwacji.

Sprzęt nie konserwowany w dostatecznym stopniu może być niebezpieczny dla operatora oraz osób znajdujących się w pobliżu młota. W celu zapewnienia bezpiecznej i wydajnej pracy urządzenia należy przestrzegać jego regularnego smarowania.

## Co dwie godziny

Narzędzie robocze, blokady narzędzia i tuleje należy regularnie smarować smarem Atlas Copco Tool.

### Smarowanie smarownicą

**▲ OSTRZEŻENIE** Gorące narzędzie robocze w czasie pracy oraz jakiś czas po użyciu.

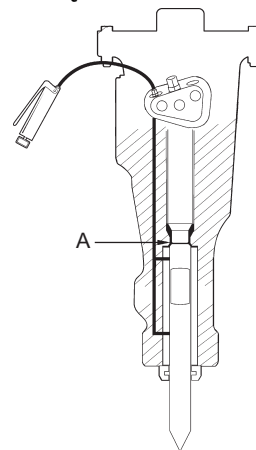
- Unikać bezpośredniego kontaktu z narzędziem.

**▲ UWAGA** Egzema na skórze

W kontakcie ze skórą smar może wywoływać egzemę.

- Unikać kontaktu rąk ze smarem.

1. Postaw i dociśnij narzędzie do oporu (A). W przeciwnym razie przestrzeń między końcem narzędzia a młotem będzie wypełniona smarem.



2. Smarować obficie uchwyt narzędzia roboczego w trakcie wszystkich prac młotem skierowanym ku górze. Tuleja i narzędzie robocze muszą być smarowane na tyle często, by do młota

hydraulicznego nie przedostały się zanieczyszczenia.

Gdy uchwyt narzędzia jest poddany wysokiemu ciśnieniu i wysokiej temperaturze, zwykły smar topi się i spływa. W celu uniknięcia takiej sytuacji należy stosować smar Atlas Copco Tool.

### Układ centralnego smarowania

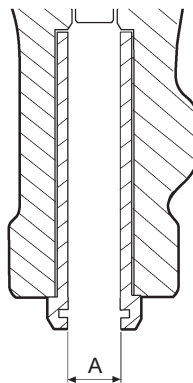
Zalecamy stosowanie układu centralnego smarowania Atlas Copco. Gdy tego typu układ jest zamontowany na maszynie nośnej, smar jest w sposób ciągły pompowany ze zbiornika na nośniku do młota przez cały czas pracy. Powoduje to znaczne wydłużenie żywotności tulei i narzędzi roboczych.

## Codziennie

1. Sprawdzić blokady narzędzia i sworzeń.
2. Sprawdzić, czy przewody hydrauliczne, złączki i akumulator ciśnieniowy są w dobrym stanie.
3. Sprawdzić, czy śruby i połączenia są wolne od uszkodzeń i właściwie dokręcone. Patrz momenty dokręcenia w wykazie części zamiennych.
4. Napełnić układ centralnego smarowania.

## Co tydzień

1. Dokładnie wyczyścić młot hydrauliczny.
2. Sprawdzić zużycie tulei narzędzia oraz maksymalną granicę zużycia wewnętrznego.



Tuleję narzędzia należy bezwzględnie wymienić, gdy wewnętrzna średnica (A) osiągnie granicę zużycia maksimum - patrz „Granice zużycia” i „Wymiana tulei narzędzia roboczego”.

3. Sprawdzić narzędzie robocze pod kątem zużycia.



Narzędzie robocze należy bezwzględnie wymienić, gdy średnica zewnętrzna (B) osiągnie granicę zużycia minimum. Patrz „Granice zużycia”.

Zbyt duże zużycie może spowodować pęknięcie narzędzia roboczego i uszkodzenie bijaka.

4. Sprawdzić korpus młota i płytę adaptacyjną pod kątem pęknięć i zużycia.
5. Sprawdzić, czy śruby mocujące akumulator ciśnieniowy są właściwie dokręcone. Prawidłowy moment dokręcenia podano w wykazie części zamiennych.

Narzędzia roboczego nie wolno ostrzyć metodą kucia. Ostrzenie może się odbywać tylko w drodze frezowania, szlifowania lub toczenia.

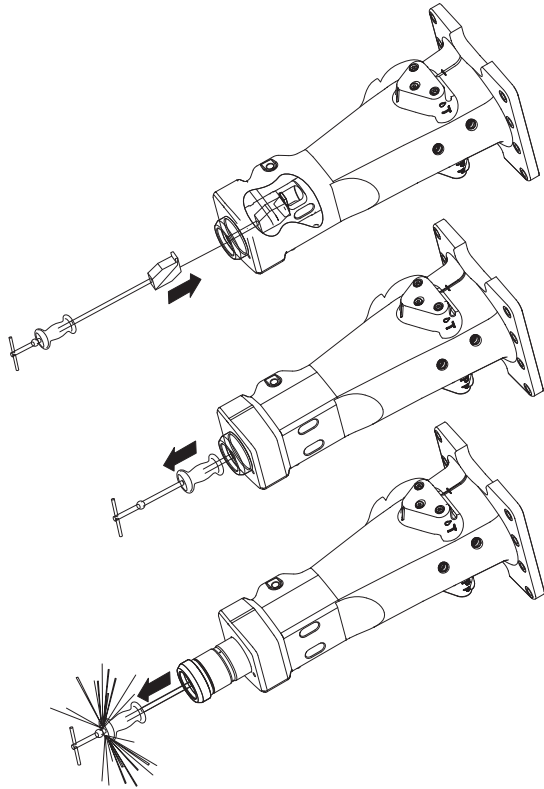
### Granice zużycia

	A mm (in.)	B mm (in.)
SB 52	42 (1.6)	38 (1.5)
SB 102	47 (1.8)	43 (1.7)
SB 152	52 (2.0)	48 (1.9)
SB 202	68 (2.7)	63 (2.5)
SB 302	83 (3.3)	78 (3.1)
SB 452	98 (3.85)	92 (3.6)
SB 552	103 (4.1)	97 (3.8)

## Wymiana tulei narzędzia roboczego

Tuleja narzędzia roboczego jest utrzymywana na swoim miejscu przez blokady narzędzia. Nowa tuleja ma pasowanie suwliwe.

1. W przypadku zakleszczenia zużytej tulei należy ją usunąć za pomocą młotka ślizgowego.



2. Ostrożnie oczyścić otwór i przestrzeń gniazda tulei.
3. Założyć nowe O-ringi, przesmarować i założyć tuleję.
4. W celu wsunięcia tulei na miejsce użyć plastikowego młotka.
5. Zatrzymać tuleję na swoim miejscu za pomocą uchwytów narzędzia.
6. Założyć nowy pierścień zgarniający.

## Co 12 miesięcy

Po roku ciągłej pracy urządzenie należy poddać przeglądowi. Ze względów bezpieczeństwa przegląd powinien zostać przeprowadzony przez autoryzowany serwis Atlas Copco.

## Przechowywanie

### ▲ OSTRZEŻENIE Spadający młot może spowodować obrażenia

- Ustawić młot hydrauliczny w bezpiecznym położeniu uniemożliwiającym upadek i spowodowanie obrażeń.

Jeśli młot hydrauliczny nie jest używany przez dłuższy czas, należy uwzględnić poniższe punkty w celu zabezpieczenia młota przed korozją:

1. Dokładnie wyczyścić młot hydrauliczny.
2. Zdjąć narzędzie robocze i przesmarować przednią część tłoka, tuleję i zamek blokady narzędzia.
3. Młot hydrauliczny należy przechowywać w suchym miejscu.

## Utylizacja

Zużytą maszynę należy poddać obróbce i utylizacji w taki sposób, aby odzyskać z niej jak najwięcej surowców wtórnych i zminimalizować szkodliwość dla środowiska naturalnego.

Przed przeznaczeniem na złom zużytej maszyny należy ją opróżnić i całkowicie oczyścić z oleju hydraulicznego. Pozostały olej hydrauliczny należy poddać utylizacji w sposób gwarantujący minimalizację negatywnego wpływu na naturalne środowisko.

## Parametry techniczne

### Parametry techniczne maszyny

	SB 52	SB 102	SB 152	SB 202	SB 302	SB 452	SB 552
Numer katalogowy	8460 0300 10	8460 0300 30	8460 0300 40	8460 0300 50	8460 0300 60	8460 0300 70	8460 0300 80
Masa urządzenia gotowego do pracy (kg)	55	87	140	201	310	441	521
Masa urządzenia w momencie dostawy (kg)	44	68	110	154	224	321	390
Średnica uchwytu narzędzia (mm)	40	45	50	65	80	95	100

### Wydajność

	SB 52	SB 102	SB 152	SB 202	SB 302	SB 452	SB 552
Właściwa masa nośnika min.-maks. w tonach	0.7–1.1	1.1–3.0	1.9–4.5	2.5–6.0	4.5-9	6.5-13	9–15
Przepływ oleju (l/min)	15–32	16–35	25–45	35–66	50–80	55-100	65–115
Częstotliwość uderu (liczba uderzeń na minutę)	960–2160	720–2280	840–1920	840–1800	600-1380	540-1260	660–1140
Ciśnienie robocze (bary)	100–150	100–150	100–150	100–150	100–150	100-150	100–150
Dopuszczalne ciśnienie zwrotne (bary)	25	18	25	25	26	21	18
Ciśnienie w akumulatorze (bary)	40	40	40	40	40	40	40
Zawór bezpieczeństwa (bary)	170	170	170	170	170	180	170
Ciśnienie wody (bary)	-	-	4	4	4	4	4
Zużycie wody (l/min)	-	-	≤5	≤5	≤9	≤9	≤9
Sprężone powietrze (bary)	2	2	2	2	2	2	2
Przepływ powietrza (l/min)	≤730	≤730	≤730	≤730	≤730	≤730	≤730

### Deklaracja emisji hałasu

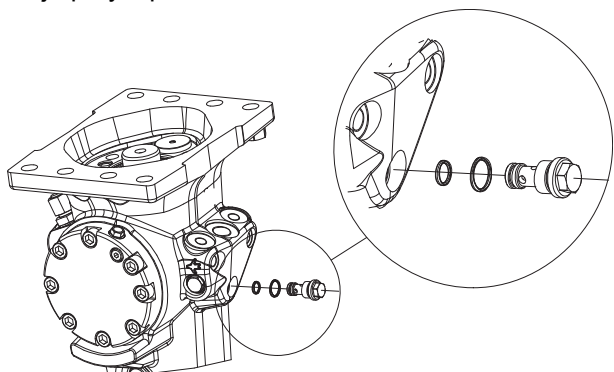
	SB 52	SB 102	SB 152	SB 202	SB 302	SB 452	SB 552
Ciśnienie akustyczne <sup>1</sup> dB(A)	89	87	86	90	91	94	98
Moc akustyczna <sup>2</sup> dB(A)	117	115	114	118	119	122	126

<sup>1</sup> Poziom ciśnienia akustycznego zgodnie z normą EN ISO 3744 w zgodności z dyrektywą 2000/14/WE w odległości 10 metrów.

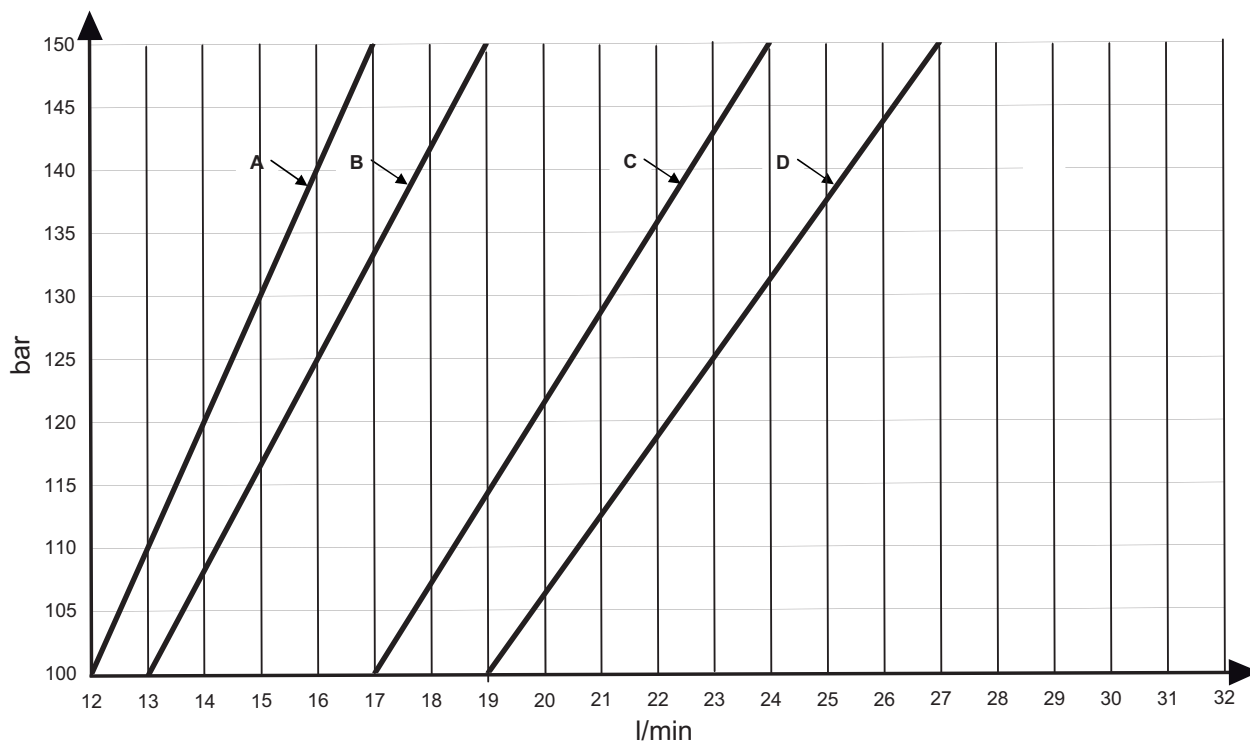
<sup>2</sup> Gwarantowana moc akustyczna zgodnie z normą EN ISO 3744 w zgodności z dyrektywą 2000/14/WE wyłącznie z rozprzestrzenianiem się w warunkach produkcyjnych.

## Wykresy prawidłowego ciśnienia roboczego

Możliwe jest ograniczenie przepływu oleju w maszynie nośnej w celu uzyskania prawidłowego ciśnienia roboczego. Regulator można zamówić, korzystając z listy części zamiennych. Na wykresie pokazano przepływ oleju przy lepkości 32 cSt.

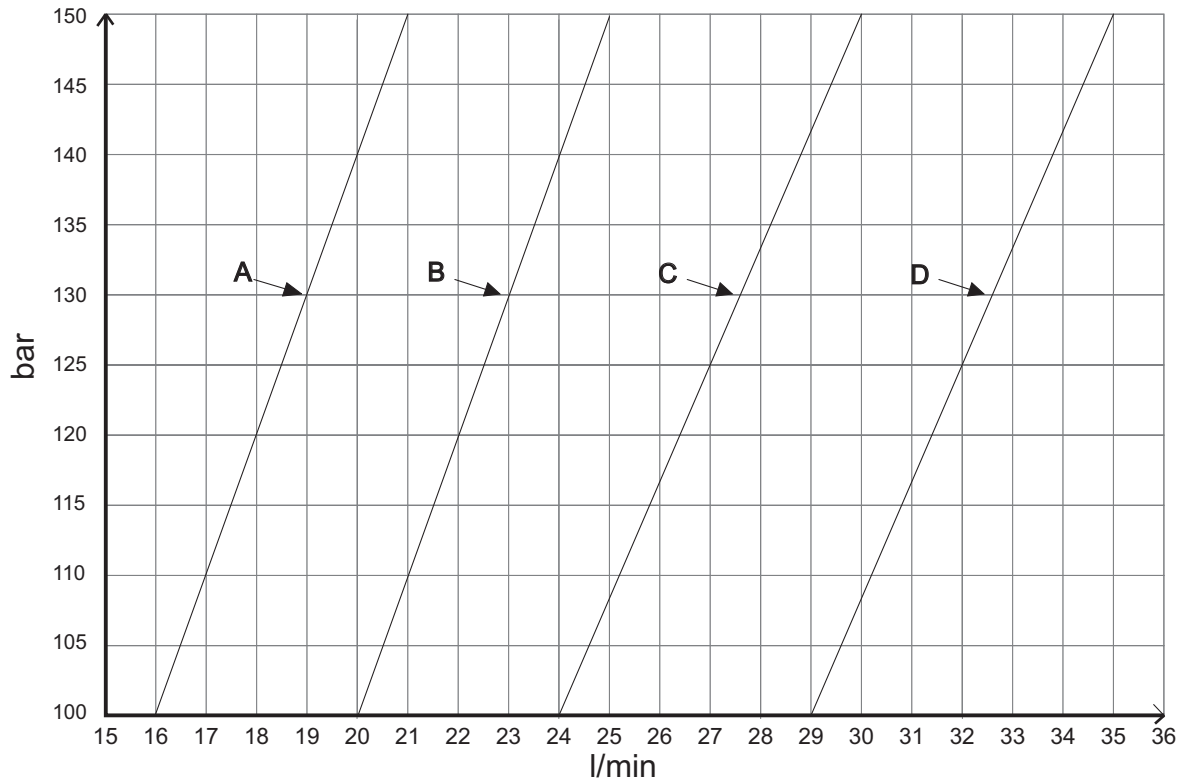


### SB 52: 100-150 barów



Regulator	Nr katalogowy	Regulator	Nr katalogowy
A	3315 2875 22	C	3315 2875 36
B	3315 2875 24	D (Standard)	3315 2875 37

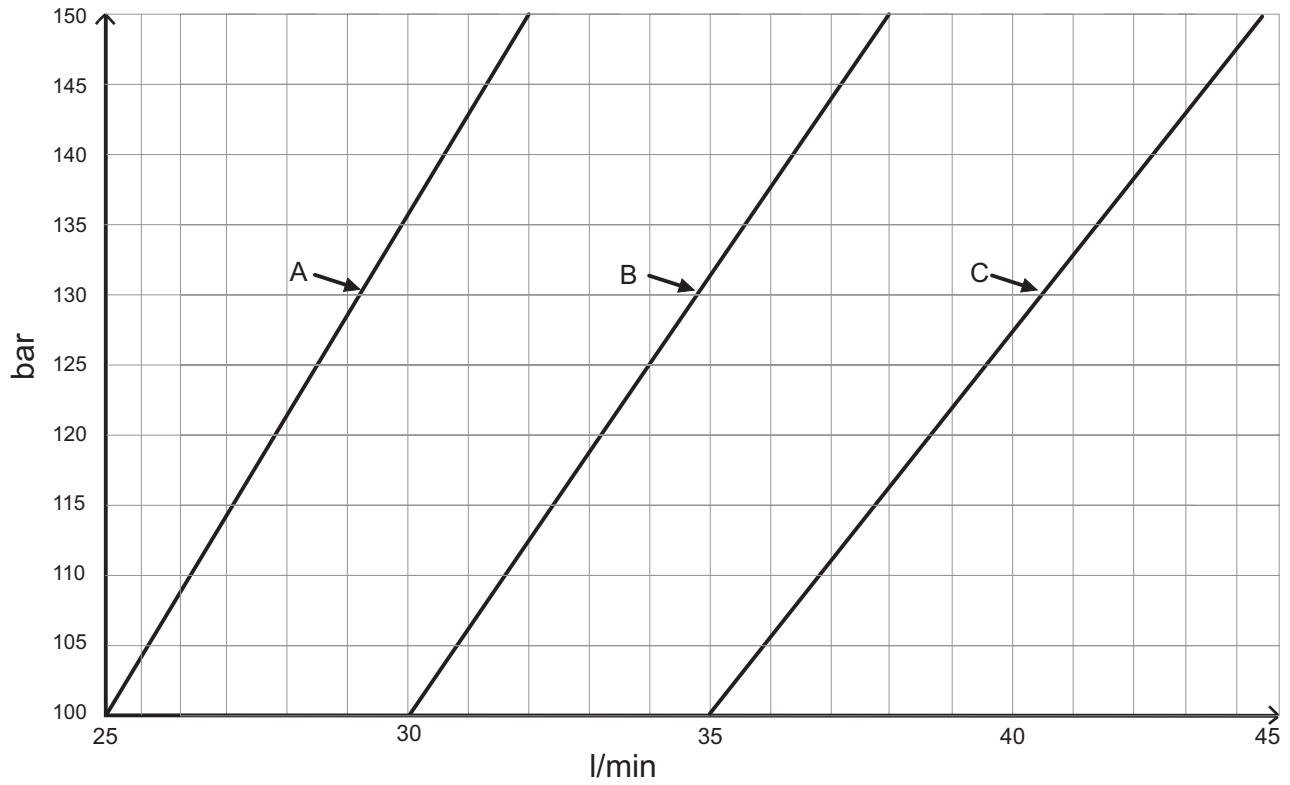
## SB 102: 100-150 barów



Regulator	Nr katalogowy	Regulator	Nr katalogowy
A	3315 2875 36	C	3315 2875 38
B	3315 2875 37	D (Standard)	3315 2875 35

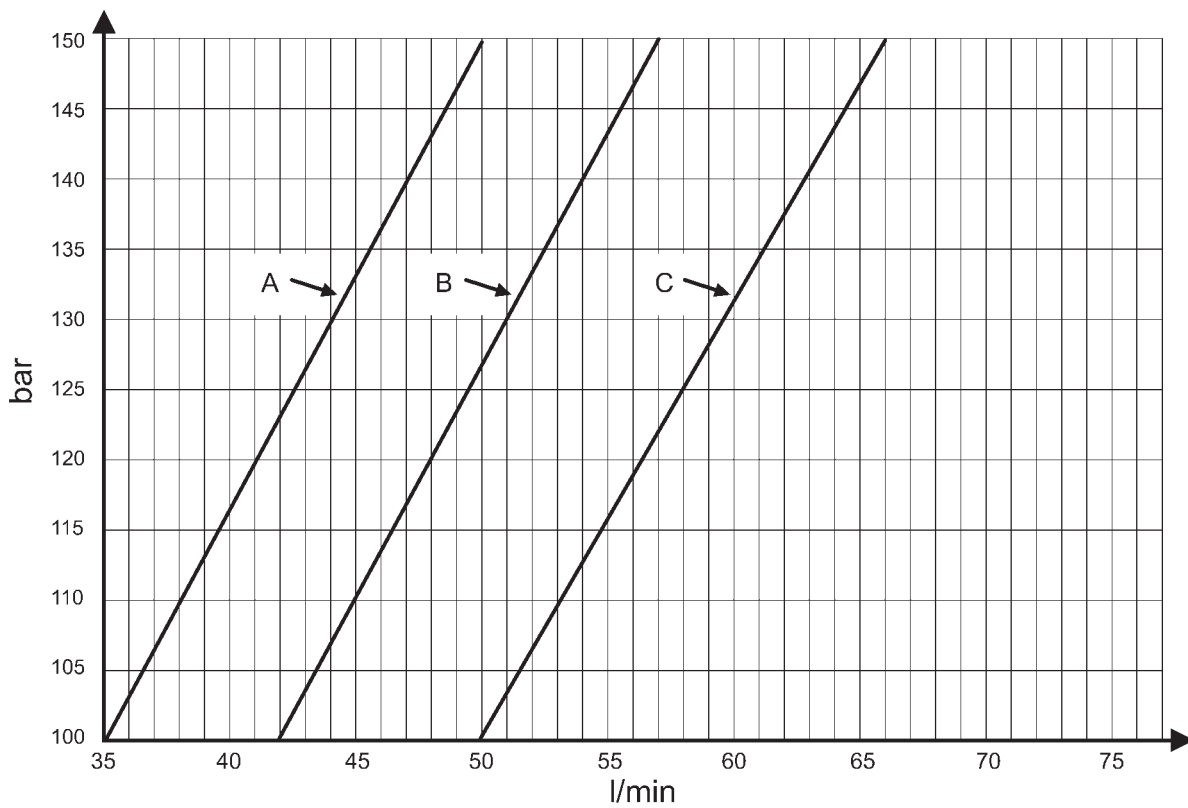


**SB 152: 100-150 barów**



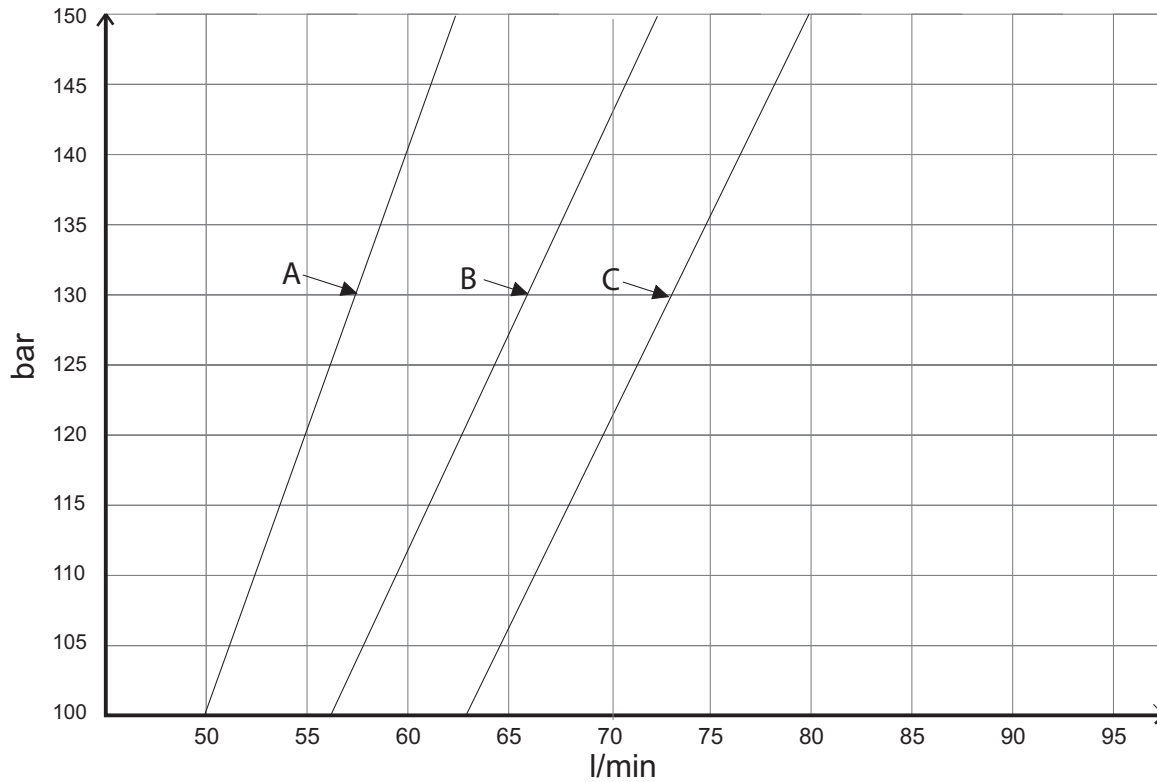
Regulator	Nr katalogowy	Regulator	Nr katalogowy
A	3315 2875 40	C (Standard)	3315 2875 51
B	3315 2875 35		

## SB 202: 100-150 barów

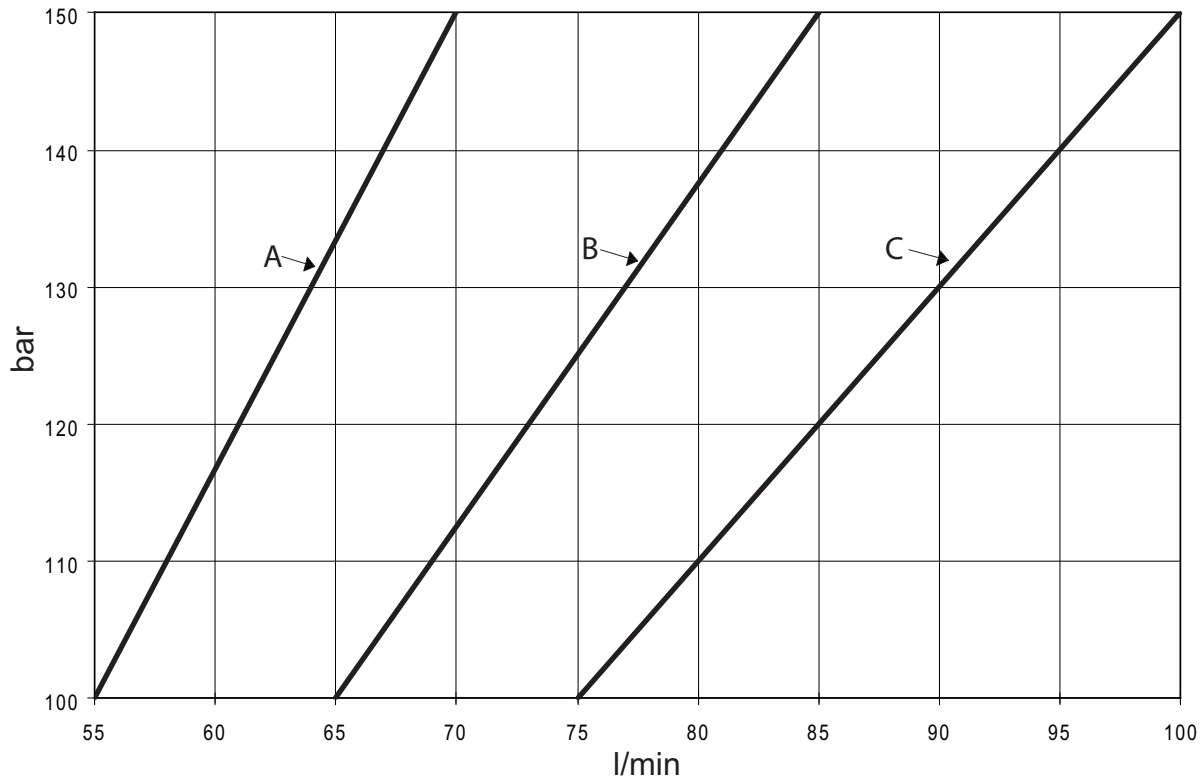


Regulator	Nr katalogowy	Regulator	Nr katalogowy
A	3315 2875 45	C (Standard)	3315 3040 80
B	3315 2875 55		

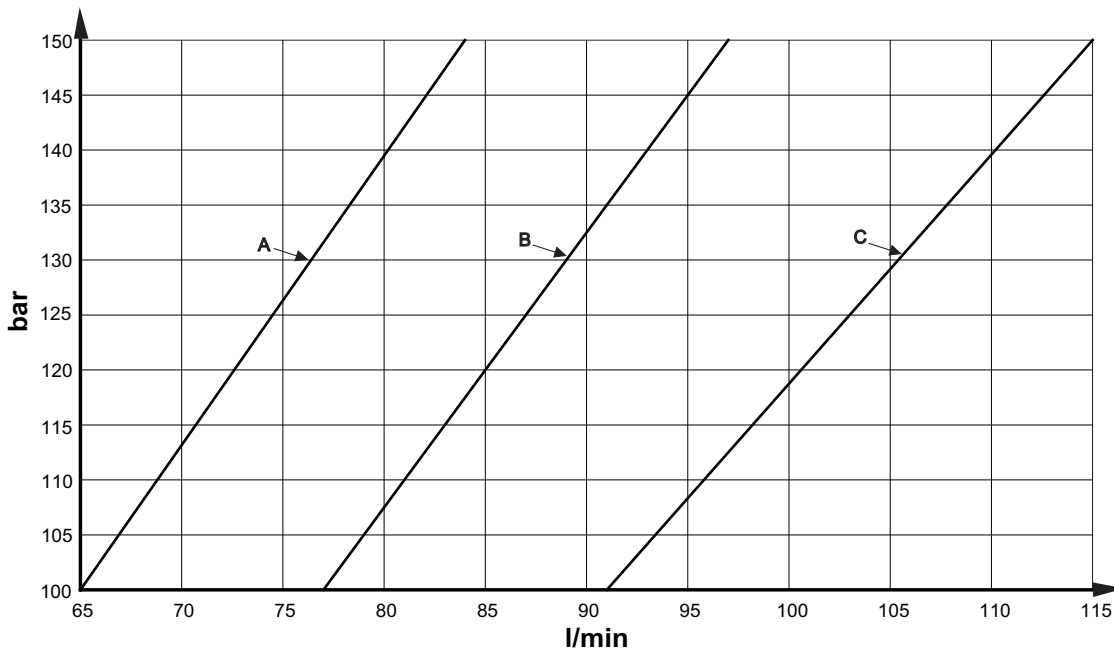
**SB 302: 100-150 barów**



Regulator	Nr katalogowy	Regulator	Nr katalogowy
A	3315 3588 54	C (Standard)	3315 3588 63
B	3315 3152 35		

**SB 452: 100–150 barów**

Regulator	Nr katalogowy	Regulator	Nr katalogowy
A	3315 3152 35	C (Standard)	3315 3152 53
B	3315 3152 45		

**SB 552: 100-150 barów**

Regulator	Nr katalogowy	Regulator	Nr katalogowy
A	3315 3152 35	C (Standard)	3315 3152 55
B	3315 3152 45		



## РУССКИЙ

**Содержимое**

<b>Введение</b> .....	353
<b>Об инструкции по безопасности и эксплуатации</b> .....	353
<b>Правила техники безопасности</b> .....	354
<b>Пояснение слов-предупреждений</b> .....	354
<b>Персональные меры предосторожности и квалификация</b> .....	354
Транспортировка.....	354
Установка, хранение, обслуживание и утилизация.....	354
Эксплуатация.....	354
Тестирование.....	354
Средства индивидуальной защиты.....	354
Наркотики, алкоголь и лекарства.....	355
<b>Экскаватор, меры предосторожности</b> .....	355
<b>Установка, меры предосторожности</b> .....	355
Гидравлическая система.....	355
Сборка и разборка.....	355
<b>Эксплуатация, меры предосторожности</b> .....	356
<b>Хранение, меры предосторожности</b> .....	357
<b>Обслуживание, меры предосторожности</b> .....	357
<b>Общие сведения</b> .....	358
<b>Конструкция и функции</b> .....	358
<b>Основные детали</b> .....	358
<b>Знаки и наклейки</b> .....	358
Таблица технических данных.....	359
Символ шума.....	359
Знаки на аккумуляторе.....	359
<b>Транспортировка</b> .....	359
<b>Поднятие гидромолота</b> .....	359
<b>Установка</b> .....	360
<b>Шланги и соединения</b> .....	360
<b>Гидравлическое масло</b> .....	361
<b>Сборка</b> .....	361
<b>Регулировка давления</b> .....	362
<b>Промывка водой</b> .....	363
<b>Ударный инструмент</b> .....	363
Выбор правильного ударного инструмента.....	363
Коническое долото.....	363
Зубило.....	363
Тупой конец.....	363
Монтаж и демонтаж ударного инструмента.....	363
<b>Эксплуатация</b> .....	364
<b>Подготовка перед дроблением</b> .....	364
Температурные режимы.....	364
Обороты двигателя.....	364
<b>Работа</b> .....	364
Дробление.....	364
Дробление под водой.....	366
<b>Обслуживание</b> .....	366
<b>Каждый второй час</b> .....	366
Смазка с помощью шприца.....	366

Централизованная система смазки. ....	367
<b>Ежедневно.</b> ....	367
<b>Еженедельно.</b> ....	367
Допустимый износ. ....	367
Замена втулки ударного инструмента. ....	368
<b>Ежегодно.</b> ....	368
<b>Хранение.</b> ....	368
<b>Утилизация.</b> ....	368
<b>Технические характеристики.</b> ....	369
<b>Характеристики машины.</b> ....	369
<b>Производительность.</b> ....	369
<b>Ограничения шума.</b> ....	369
<b>Диаграммы расхода гидравлического масла для получения нужного рабочего давления.</b> ....	369
SB 52: 100–150 бар. ....	370
SB 102: 100–150 бар. ....	371
SB 152: 100–150 бар. ....	372
SB 202: 100–150 бар. ....	373
SB 302: 100-150 бар. ....	374
SB 452: 100–150 бар. ....	375
SB 552: 100–150 бар. ....	375





## Введение

Благодарим за выбор изделий Atlas Copco. С 1873 года мы стараемся искать новые и более качественные способы удовлетворения потребностей наших клиентов. За эти годы мы разработали новаторские и эргономичные конструкции изделий, позволяющие нашим клиентам выполнять свою работу более рационально и качественно.

Atlas Copco имеет разветвленную глобальную сеть продаж и обслуживания, состоящую из сервисных центров и дистрибуторов по всему миру. Наши эксперты являются опытными профессионалами, хорошо знающими наши изделия и сферы их применения. Мы можем предложить техническую поддержку в любой точке мира, чтобы наши клиенты могли работать всегда с максимальной эффективностью.

Дополнительная информация: [www.atlascopco.com](http://www.atlascopco.com)

## Об инструкции по безопасности и эксплуатации

Цель данных инструкций - объяснить, как эффективно и безопасно пользоваться гидравлическим молотом. Кроме того, инструкции описывают процедуры регулярного обслуживания гидравлического молота.

Прочитайте внимательно эти инструкции перед использованием гидравлического молота и убедитесь, что вам все понятно.

## Правила техники безопасности

Во избежание нанесения серьезных повреждений или риска своему или чужому здоровью обязательно прочитайте инструкции по безопасности перед эксплуатацией машины.

Повесьте эти инструкции на рабочем месте, раздайте их копии вашим сотрудникам и проследите за тем, чтобы все их прочитали перед эксплуатацией или обслуживанием машины.

Соблюдайте все правила техники безопасности.

## Пояснение слов-предупреждений

Слова-предупреждения «Опасно», «Внимание» и «Осторожно» имеют следующие значения:

<b>ОПАСНО</b>	Указывает на опасную ситуацию, которая, если ее не избежать, приведет к смерти или к серьезной травме.
<b>ВНИМАНИЕ</b>	Указывает на опасную ситуацию, которая, если ее не избежать, может привести к смерти или к серьезной травме.
<b>ОСТОРОЖНО</b>	Указывает на опасную ситуацию, которая, если ее не избежать, может привести к незначительным повреждениям.

## Персональные меры предосторожности и квалификация

К управлению или обслуживанию машины допускается только обученный персонал. Всегда руководствуйтесь здравым смыслом.

### Транспортировка

Транспортировка гидравлического молота может осуществляться только лицами, которые:

- имеют право управлять кранами или вилочными погрузчиками согласно действующим нормам,
- ознакомлены с действующими инструкциями по безопасности и предотвращению несчастных случаев
- прочитали и поняли главы этого руководства, посвященные безопасности и транспортировке.

### Установка, хранение, обслуживание и утилизация

Установку, хранение, обслуживание и утилизацию гидравлического молота могут осуществлять только лица, которые:

- ознакомлены с действующими инструкциями по безопасности и предотвращению несчастных случаев
- прочитали и поняли инструкции по безопасности и эксплуатации.

### Эксплуатация

Эксплуатировать гидравлический молоток могут только квалифицированные операторы экскаваторов. Квалифицированными операторами экскаваторов считаются лица, которые:

- обучены управлению экскаваторами согласно действующим нормам,
- ознакомлены с действующими инструкциями по безопасности и предотвращению несчастных случаев
- прочитали и поняли инструкции по безопасности и эксплуатации.

### Тестирование

Тестирование гидравлического молота должно осуществляться только профессиональными специалистами. Эти специалисты должны быть обучены управлению гидравлическими системами согласно действующим нормам.

### Средства индивидуальной защиты

Всегда пользуйтесь средствами индивидуальной защиты. Операторы и все, кто находится в зоне работы машины, должны носить средства индивидуальной защиты, включающие как минимум:

- Защитная каска
- Защита органов слуха
- Противоударные очки с боковой защитой
- Респиратор при необходимости
- Защитные перчатки
- Защитная обувь

## Наркотики, алкоголь и лекарства

### ▲ ОСТОРОЖНО Наркотики, алкоголь и лекарства

Наркотики, алкоголь и лекарства могут повлиять на вашу концентрацию и поведение.

Неадекватная реакция и неправильное поведение может привести к серьезным повреждениям или к смерти.

- ▶ Нельзя работать с машиной, когда вы устали или находитесь под воздействием наркотиков, алкоголя и лекарств.
- ▶ Запрещено работать с машиной тому, кто находится под воздействием наркотиков, алкоголя и лекарств.

## Экскаватор, меры предосторожности

Перед эксплуатацией или транспортировкой экскаватора с установленным гидравлическим молотом внимательно прочитайте инструкции изготовителя экскаватора по безопасности и эксплуатации.

Экскаватор должен быть оснащен соответствующими защитными средствами, включая защитный экран перед оператором.

Гидравлический молот можно устанавливать только на экскаватор с достаточной грузоподъемностью.

Экскаваторы малой грузоподъемности не обеспечивают необходимой стабильности и могут перевернуться при эксплуатации гидравлического молота и причинить повреждения и сломаться.

## Установка, меры предосторожности

### Гидравлическая система

#### ▲ ОПАСНОСТЬ Сжатый газ, угроза взрыва

Гидроаккумулятор находится под давлением даже при отключенной гидросистеме. Демонтаж аккумулятора без предварительного выпуска азота может привести к серьезным травмам или смерти.

- ▶ Заполнять аккумулятор высокого давления можно только азотом (N<sub>2</sub>).
- ▶ К работе с аккумулятором допускается только квалифицированный персонал.

### ▲ ОСТОРОЖНО Гидравлическое масло высокого давления

Тонкие струи гидравлического масла высокого давления могут попасть на кожу и вызвать ее повреждение.

- ▶ Если гидравлическое масло попало вам на кожу, немедленно обратитесь к врачу.
- ▶ Нельзя проверять течь гидравлического масла пальцами.
- ▶ Держите лицо подальше от возможных мест течи.

### ▲ ОСТОРОЖНО Гидравлическое масло

Разлитое гидравлическое масло может вызвать ожоги, повредить машину, и вы можете поскользнуться.

- ▶ Если масло прольется, уберите его в соответствии с правилами техники безопасности и охраны окружающей среды.
- ▶ Никогда не разбирайте гидромолот, когда в нем горячее гидравлическое масло.
- ▶ Никогда не протягивайте через кабину водителя гидравлические шланги, соединяемые с гидромолотом.

### ▲ ВНИМАНИЕ Экзема кожи

Гидравлическое масло может вызвать экзему при контакте с кожей.

- ▶ Избегайте контакта гидравлического масла с кожей.
- ▶ Всегда надевайте перчатки при работе с гидравлическим маслом.

## Сборка и разборка

### ▲ ОСТОРОЖНО Перемещение деталей

Опасность придавить руки и пальцы.

- ▶ Нельзя проверять посадку деталей, просовывая руки или пальцы в отверстия.
- ▶ Любые перемещения стрелы крана можно осуществлять только вместе с персоналом, отвечающим за монтаж гидравлического молота.
- ▶ Если гидравлический молот устанавливается в быстросажимном сцеплении, убедитесь, что он закреплен надежно и не выпадет.

## Эксплуатация, меры предосторожности

### ▲ ОПАСНОСТЬ Опасность взрыва

При контакте ударного инструмента со взрывчатыми веществами или газами может произойти взрыв. При работе с некоторыми материалами могут возникать искры и возгорание. Взрывы могут привести к тяжелым травмам или смерти.

- ▶ Никогда не пользуйтесь машиной во взрывоопасной среде.
- ▶ Не пользуйтесь машиной вблизи легко воспламеняющихся материалов, паров или пыли.
- ▶ Следите, чтобы вблизи не было источников газа или взрывчатых веществ.

### ▲ ОСТОРОЖНО Рабочее давление

Превышение максимального рабочего давления гидромолота может привести к перегрузке аккумулятора и к материальному ущербу и к телесным повреждениям.

- ▶ Пользуйтесь гидромолотом только при нормальном рабочем давлении. См. «Технические характеристики».

### ▲ ОСТОРОЖНО Вред от кремния

Воздействие кристаллов кремния (известных как кремниевая пыль), возникающих при разрушении или других действий над камнями, бетоном, асфальтом или других материалов, может вызвать силикоз (серьезное заболевание легких), связанные с силикозом заболевания, рак или смерть. Кремний является основным компонентом камней, песка и минералов.

- ▶ Гидромолоты способны подавлять пыль, снижая вредное воздействие кремния.

### ▲ ОСТОРОЖНО Вред от пыли

Некоторые виды пыли, испарений или других переносимых по воздуху веществ, вырабатываемых при работе машины, могут содержать химикаты, способные вызывать рак и нарушения репродуктивных функций организма. К таким химикатам относятся:

- Кристаллический кремний, цемент и другие строительные материалы.
  - Мышьяк и хром из химически обработанной резины.
  - Свинец, содержащийся в красках.
- ▶ Чтобы избежать воздействия этих химикатов, следует работать в хорошо проветриваемом помещении и пользоваться средствами индивидуальной защиты, такими как противопылевые респираторы, способные фильтровать микроскопические частицы.

### ▲ ОСТОРОЖНО Электрический удар

Гидравлический молот не имеет электрической изоляции. Если гидравлический молот будет контактировать с электроцепями или другими источниками электричества, есть риск серьезной травмы или смерти.

- ▶ Нельзя эксплуатировать машину вблизи электроцепей или других источников электричества.
- ▶ Убедитесь в отсутствии скрытых электроцепей в зоне работы машины.

### ▲ ОСТОРОЖНО Осколки

Во время работы гидромолота могут разлетаться осколки и другие частицы, которые могут ранить оператора и других людей. Небольшие предметы, падающие с большой высоты, могут причинить большой вред.

- ▶ Закройте зону работы машины.
- ▶ Перед началом работы убедитесь, что никого нет в зоне риска на расстоянии 20 метров по горизонтали и вертикали от гидромолота.
- ▶ Если в зоне риска окажутся люди, немедленно выключите гидромолот.

### ▲ ОСТОРОЖНО Опасность шума

Высокий уровень шума может вызвать постоянную потерю слуха.

- ▶ Защищайте свои уши в соответствии с рекомендациями врачей и правилами техники безопасности.

## Хранение, меры предосторожности

---

### **▲ ОСТОРОЖНО** Гидромолот и ударный инструмент - тяжелые

- ▶ Хранить гидромолот и ударный инструмент нужно так, чтобы они не могли упасть или скатиться.

## Обслуживание, меры предосторожности

---

### **▲ ОСТОРОЖНО** Непреднамеренный пуск

Непреднамеренный пуск гидравлического молота может привести к серьезным повреждениям.

- ▶ Чтобы не допустить непреднамеренного пуска гидравлического молота, соблюдайте инструкции по экскаватору.
- ▶ Установку пусковой цепи гидравлического молота нужно осуществлять так, чтобы она не допускала случайного пуска.
- ▶ Ножная педаль экскаватора должна иметь защитное покрытие.

### **▲ ОСТОРОЖНО** Гидравлическая система высокого давления

Работы по обслуживанию гидромолота, находящегося под высоким давлением, могут привести к серьезным телесным повреждениям. Соединения могут неожиданно ослабнуть, детали могут неожиданно сдвинуться и гидравлическая жидкость может вытечь.

- ▶ Перед проведением работ по техобслуживанию гидромолота или экскаватора необходимо сбросить давление гидросистемы.

### **▲ ОСТОРОЖНО** Модификация машины

Любые модификации машины могут привести к телесным повреждениям.

- ▶ Никогда не модифицируйте машину.
- ▶ Всегда пользуйтесь оригинальными деталями и аксессуарами от Atlas Copco.

### **▲ ВНИМАНИЕ** Горячий инструмент

Кончик долота при работе нагревается. Если до него дотронуться, можно обжечься.

- ▶ Никогда не трогайте инструмент, пока он горячий.
- ▶ Подождите, пока инструмент остынет, прежде чем выполнять техобслуживание.

## Общие сведения

Чтобы не причинить серьезные травмы или смерть себе или другим, прочитайте инструкции по безопасности на предыдущих страницах прежде, чем работать с машиной.

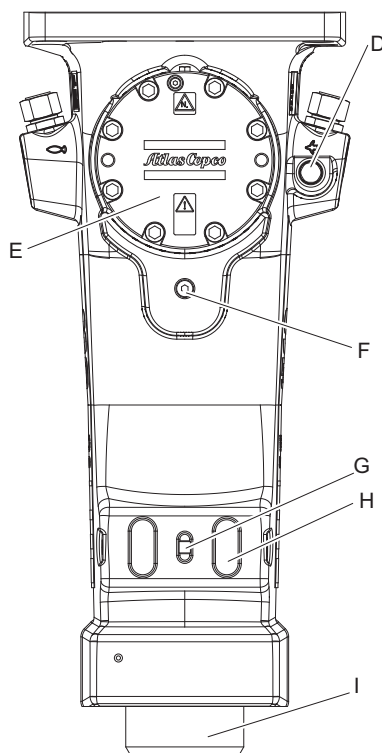
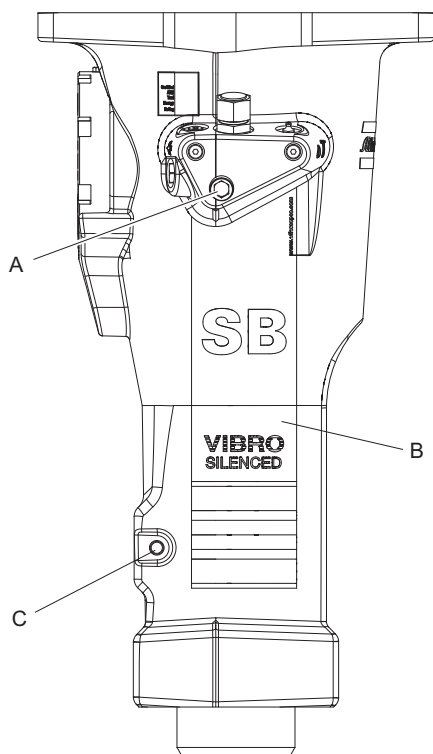
## Конструкция и функции

Серия SB - это гидромолоты на экскаваторе, предназначенные для всех видов разрушения.

Аббревиатура SB означает Solid Body (твердотельный), т.е. разрушающий эффект достигается цельным ударным инструментом. Аккумулятор встроен в ударный инструмент.

Гидравлический молот управляется из кабины водителя экскаватора с помощью гидравлической системы. Частота ударов регулируется подачей масла из экскаватора.

## Основные детали

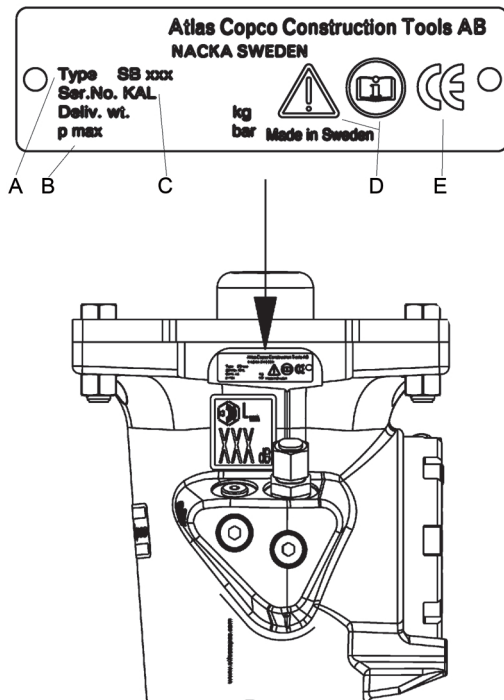


- A. Ограничитель
- B. Молот
- C. Стопорный штифт
- D. Клапан сброса давления
- E. Аккумулятор
- F. Пробка для сброса масла
- G. Стопорная прокладка
- H. Фиксатор инструмента
- I. Втулка

## Знаки и наклейки

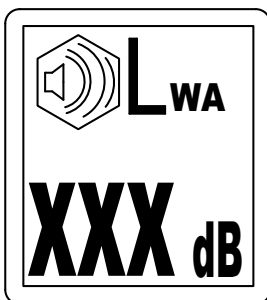
Машина снабжена знаками и наклейками, содержащими информацию о правилах персональной безопасности и обслуживания машины. Эти знаки и наклейки должны всегда оставаться доступными для чтения. При необходимости можно заказать новые знаки и наклейки по каталогу запчастей.

## Таблица технических данных



- A. Тип молота
- B. Максимальное давление
- C. Серийный номер
- D. Знак «Внимание» вместе с изображением книги означает, что перед первым запуском машины необходимо прочитать инструкции по безопасности и эксплуатации.
- E. Символ CE означает соответствие нормам Совета Европы. Подробную информацию можно найти в Декларации соответствия CE, прилагаемой к машине.

## Символ шума



Эта наклейка показывает гарантированный уровень шума, соответствующий директиве ЕС 2000/14/ЕС. Точный уровень шума указан в «Технических характеристиках».

## Знаки на аккумуляторе



Перед обслуживанием машины внимательно ознакомьтесь с инструкциями по ремонту.



Аккумулятор должен заряжаться только азотом.

**ПРЕДУПРЕЖДЕНИЕ!** К работе с аккумулятором допускается только обученный персонал.

## Транспортировка

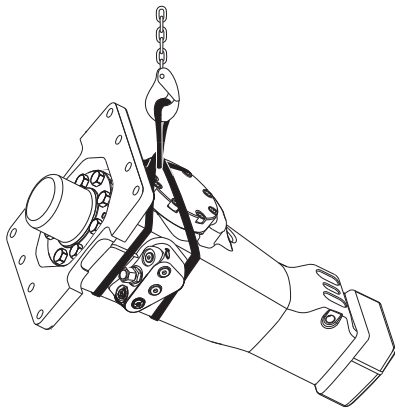
## Поднятие гидромолота

**▲ ОСТОРОЖНО** Если гидромолот упадет, он может нанести вам телесные повреждения

- ▶ Гидромолот нужно ставить в устойчивое положение, чтобы он не упал и не причинил вреда.

Внимательно осмотрите экскаватор и убедитесь в его устойчивости перед перемещением гидромолота или выполнением каких-либо работ на нем.

Гидромолот поставляется в ящике. Для безопасного извлечения гидромолота проденьте подъемный ремень, как показано на рисунке ниже.



## Установка

Перед установкой гидромолота на экскаваторе или его эксплуатацией внимательно прочитайте руководство по эксплуатации и инструкции по безопасности, предоставленные изготовителем экскаватора. Соблюдайте все инструкции.

Для работы гидромолота на экскаваторе должна быть соответствующая гидросистема.

Если экскаватор слишком велик для гидравлического молота, это может привести к поломке и быстрому износу рабочих механизмов молота. Информация по выбору подходящего экскаватора содержится в разделе «Технические характеристики».

Перед использованием безопасность оборудования гидравлической системы должна быть проверена на качество (маркировка ЕС и т.д.) исправность и функциональность профессиональным инспектором.

## Шланги и соединения

### ▲ ОСТОРОЖНО Биение гидравлического шланга

Гидравлические шланги, находящиеся под давлением, могут бесконтрольно биться, если ослабнет их крепеж. Бьющийся гидравлический шланг может причинить серьезный ущерб.

- ▶ Перед ослаблением крепежа гидравлического шланга сбросьте давление в гидросистеме.
- ▶ Закрутите гайки на соединениях гидравлических шлангов.

Тип ниппеля: Стандартный ниппель Atlas Copco ORFS. Размеры ниппеля можно найти в каталоге запчастей.

Качество гидравлических шлангов, используемых для соединения молота с экскаватором, должно соответствовать классу 2SC (согласно EN 857) или быть лучше. При использовании

быстроразъемных соединений рекомендуются «плоскогранные» быстроразъемные соединения. Этот тип более прочный, и его легче чистить. Давление, выдерживаемое быстроразъемными соединениями, должно соответствовать рабочему давлению экскаватора.

Перед монтажом или демонтажом молота необходимо чистить быстроразъемные соединения. При демонтаже нужно всегда закрывать шланги и их ниппели крепкими и чистыми заглушками.

### Соединения шлангов

#### Справа (вид с места оператора)

	Продувка	Центрированная смазка	Бак, обратный трубопровод
Символ			
SB 52	G 1/4"	G 1/4"	G 3/8"
SB 102	G 1/4"	G 1/4"	G 1/2"
SB 152	G 1/4"	G 1/4"	G 1/2"
SB 202	G 1/4"	G 1/4"	G 1/2"
SB 302	G 1/4"	G 1/4"	G 3/4"
SB 452	G 1/4"	G 1/4"	G 3/4"
SB 552	G 1/4"	G 1/4"	G 1"

### Соединения шлангов

#### Слева (вид с места оператора)

	Вода	Давление на молот	Давление для системы ContiLube@II
Символ			
SB 52	-	G 3/8"	G 1/4"
SB 102	-	G 1/2"	G 1/4"
SB 152	G 1/4"	G 1/2"	G 1/4"
SB 202	G 1/4"	G 1/2"	G 1/4"
SB 302	G 1/4"	G 3/4"	G 1/4"
SB 452	G 1/4"	G 3/4"	G 1/4"
SB 552	G 1/4"	G 1"	G 1/4"

### Момент затяжки для возвратного шланга давления

SB 52	60 Нм
SB 102	150 Нм
SB 152	150 Нм
SB 202	150 Нм
SB 302	210 Нм
SB 452	210 Нм
SB 552	300 Нм



## Гидравлическое масло

Как правило, гидравлическое масло, используемое в экскаваторе, подходит также и для гидравлического молота.

Когда гидравлический молот подключен к экскаватору, гидравлическое масло загрязняется быстрее. При замене масла и масляного фильтра соблюдайте инструкции по экскаватору. Как правило, когда установлен гидромолот, масляный фильтр приходится менять чаще.

Гидравлические молоты серии SB снабжены дренажной пробкой для слива всего масла перед демонтажом молота. Это позволяет избежать разлива масла.

**ПРЕДУПРЕЖДЕНИЕ!** Молоты серии SB поставляются с небольшим количеством минерального гидравлического масла внутри. Перед подключением молота к гидравлической системе экскаватора проверьте тип масла в экскаваторе. Использование смешанных типов гидравлического масла может нарушить качество смазки и повредить машину.

## Сборка

**▲ ОСТОРОЖНО** Если гидромолот упадет, он может нанести вам телесные повреждения

- Гидромолот нужно ставить в устойчивое положение, чтобы он не упал и не причинил вреда.

Перед соединением гидромолота выполните круговую прокачку гидравлического масла. Это необходимо для обеспечения чистоты гидравлического масла. Та же самая процедура необходима перед заменой гидравлического шланга. Подробную информацию можно найти в разделе «Гидравлическое масло».

1. Соедините напорный и сливной трубопроводы с помощью шланга.

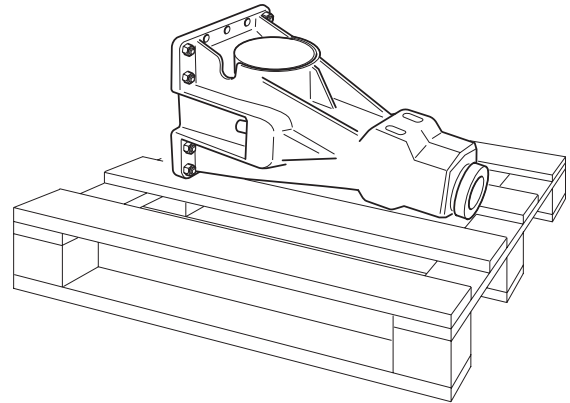


2. Прокачайте гидравлическое масло по кругу через масляный фильтр экскаватора в течение примерно 3 минут, чтобы как следует прочистить шланги.

### Подготовка

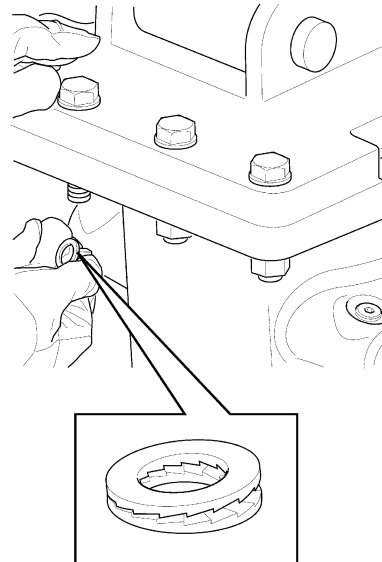
1. Поставьте молот так, чтобы было удобно монтировать адаптерную плиту.

**ПРЕДУПРЕЖДЕНИЕ!** Молот должен быть смонтирован так, чтобы аккумулятор был повернут к кабине оператора, чтобы снизить риск повреждения аккумулятора.



### Монтаж адаптерной плиты

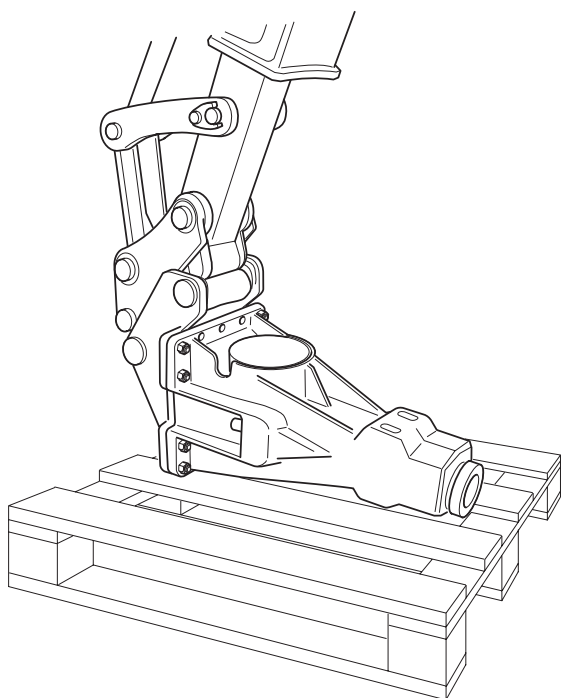
2. Если у вас нет стопорного винта Tough компании Atlas Copco, мы рекомендуем взять винты с гайками и шайбами NORD-LOCK™ (NORD-LOCK™ - товарный знак компании Nord-Lock AB, зарегистрированный в США и/или других странах).



Адаптерная плита	Крутящий момент затяжки
SB 52	290 Нм
SB 102	200 Нм
SB 152	200 Нм
SB 202	200 Нм
SB 302	170 Нм
SB 452	400 Нм
SB 552	400 Нм

### Соединение молота с экскаватором

- Разместите молот в месте, удобном для установки.



Нагнетательный патрубок гидравлического молота расположен слева, если смотреть на аккумулятор. Если напорный шланг расположен с другой стороны рукояти, можно перекрестить шланги или повернуть молот.

- Осторожно опустите конец стрелы в адаптерную плиту.

**▲ ОСТОРОЖНО Двигающиеся детали могут раздавить или порезать вас**

- Нельзя проверять посадку деталей, просовывая руки или пальцы в отверстия.

Помощник должен направлять движение рукояти, пока отверстия в рукояти не станут заподлицо с переходной плитой.

Договоритесь с помощником о разрешающих сигналах, когда будете выполнять монтаж.

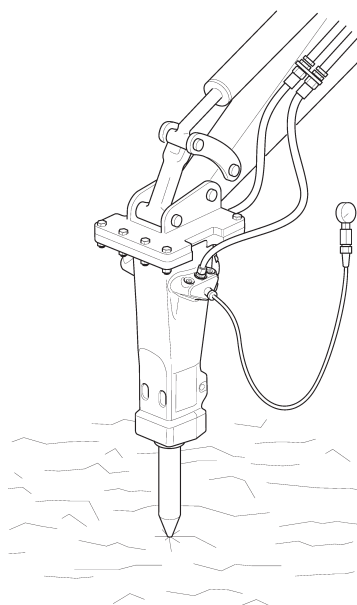
- Вставьте стопорный штифт.
- Поднимите гидромолот с помощью стрелы.

- Вытяните ковшовый цилиндр, чтобы отверстия в колене были заподлицо с отверстиями в переходной плите. Вставьте стопорный штифт колена.
- После монтажа гидромолота осторожно вытяните и втяните ковшовый цилиндр до упора в каждом направлении. Важно, чтобы цилиндр мог легко втягиваться и вытягиваться.

## Регулировка давления

Молоты серии SB снабжены клапанами сброса давления, защищающими молот. Рабочее давление гидромолота (макс. 150 бар) измеряется и регулируется манометром во время работы гидромолота.

- Когда рабочее давление превышает 150 бар, его нужно снизить. Уменьшите подачу масла из экскаватора, пока давление не понизится до 150 бар. Эта регулировка необходима для того, чтобы встроенный клапан сброса давления не открылся, и масло не потекло обратно в бак, вызвав перегрев машины.
- Когда рабочее давление находится в пределах 130 - 150 бар, в регулировке обычно нет необходимости.
- Если подача масла из экскаватора очень слабая для поддержания необходимого рабочего давления, нужно заменить ограничитель в гидромолоте. См. диаграммы подачи масла в «Технических характеристиках», которые помогут выбрать подходящий ограничитель.



Приставьте гидромолот вертикально к твердой породе или чему-то схожему, чтобы отрегулировать давление с помощью манометра.

## Промывка водой

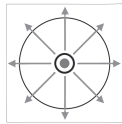
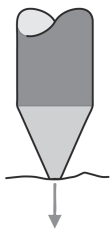
Гидравлический молот предусматривает промывку водой, что необходимо для улавливания пыли при разрушительных работах. При подключении воды вместо заглушки спереди молота нужно установить промывочную насадку. Заказать промывочную насадку можно по каталогу запчастей.

В качестве воздушного шланга может использоваться гидравлический шланг под 1/4" с штуцером JIS. Потребление воды при 4 бар составляет 6,6 л/мин. Дальнейшие инструкции можно получить в ближайшей сертифицированной мастерской.

## Ударный инструмент

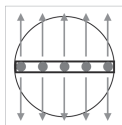
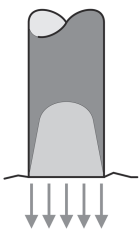
### Выбор правильного ударного инструмента

#### Коническое долото



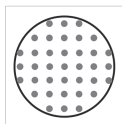
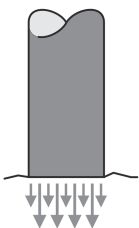
- Очень хорошее проникновение
- Равномерное раскливающее действие
- Нет скручивания

#### Зубило



- Очень хорошее раскливающее действие
- Хорошее проникновение
- Скручивающий эффект

#### Тупой конец



- Очень хорошее приложение силы
- Оптимальный разрушающий эффект
- Нет скручивания

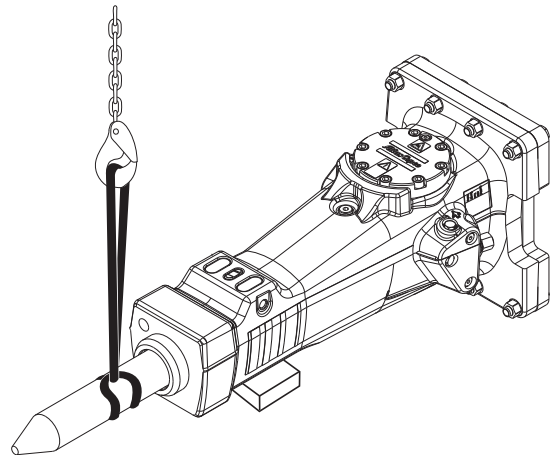
## Монтаж и демонтаж ударного инструмента

### ▲ ОСТОРОЖНО Работающий двигатель

Замена ударного инструмента при работающем двигателе экскаватора может привести к серьезным повреждениям.

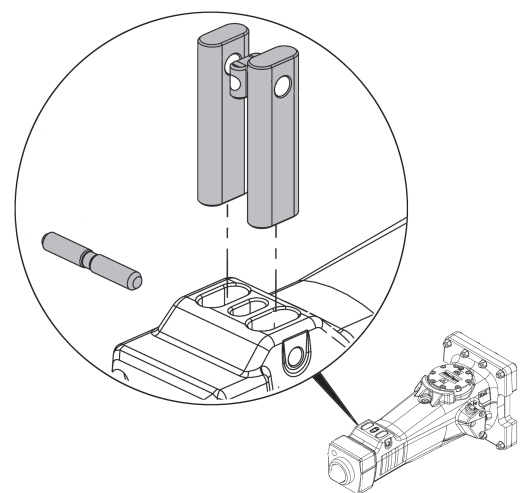
- ▶ Не допускайте самопроизвольного запуска экскаватора.

1. Заглушите двигатель экскаватора перед заменой ударного инструмента.
2. Монтировать (и демонтировать) ударный инструмент нужно с использованием подъемного ремня, чтобы снизить риск телесных повреждений.



Некоторые ударные инструменты очень тяжелые, поэтому поднимать их следует осторожно.

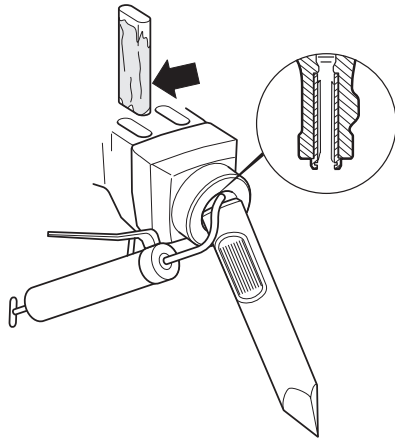
3. Проверьте, не изношены и не повреждены ли стопорные прокладки.



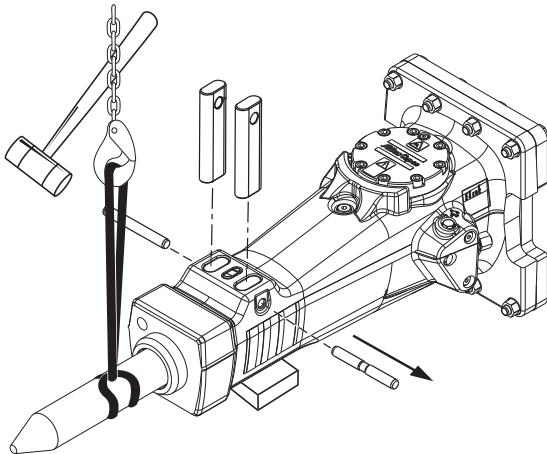
Стопорные прокладки в замке ударного инструмента сделаны из пластика и могут расплавиться при работе в горячей среде. Если это произойдет, замените на стандартный стопорный штифт. Вместо него

можно использовать пружинный фиксатор, который есть в каталоге запчастей.

- Очистите и хорошенько смажьте втулку. Это особенно важно при установке нового ударного инструмента.



- Вставьте ударный инструмент.
- Поверните ударный инструмент, чтобы размазать смазку.
- Установите фиксаторы инструмента, сначала один, потом другой.
- Задвиньте стопорный штифт, пока стопорная прокладка не войдет в желоб стопорного штифта.



Демонтаж ударного инструмента выполняется в порядке, обратном монтажу.

## Эксплуатация

**ПРЕДУПРЕЖДЕНИЕ!** Гидромолот или ударный инструмент нельзя использовать для подъема тяжестей. Для подъема тяжестей используйте крюк на стропе экскаватора.

## Подготовка перед дроблением

### Температурные режимы

Рабочая температура гидравлического молота составляет от  $-20^{\circ}\text{C}$  до  $+80^{\circ}\text{C}$ .

#### ▲ ВНИМАНИЕ Опасная температура

Гидравлический молот и гидравлическая система экскаватора могут повредиться, если будут эксплуатироваться при более низкой или более высокой температуре.

- ▶ Запускать гидромолот можно только тогда, когда гидравлическое масло достигнет нормальной рабочей температуры.
- ▶ Если температура наружного воздуха ниже  $-20^{\circ}\text{C}$ , нужно сначала прогреть ударный инструмент и гидромолот.
- ▶ Если температура масла превышает  $+80^{\circ}\text{C}$ , использовать гидромолот нельзя, поскольку характеристики масла ухудшаются, что значительно сокращает срок службы изоляции и уплотнений.

### Обороты двигателя

Слишком большие обороты двигателя приводят только к повышенному потреблению топлива и к повышенной температуре масла. Отрегулируйте обороты двигателя до получения оптимальной подачи масла.

## Работа

### Дробление

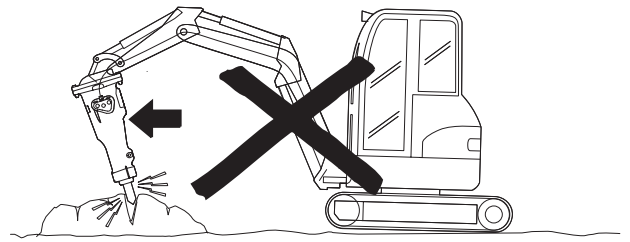
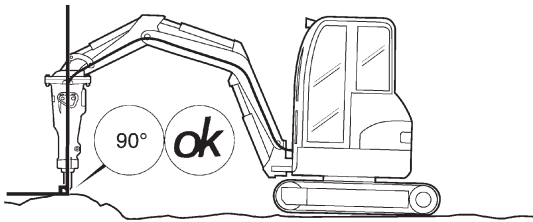
#### ▲ ВНИМАНИЕ Опасность для машины и инструмента

Непрерывная работа с полным вытягиванием/втягиванием цилиндров может привести к повреждению гидравлических цилиндров.

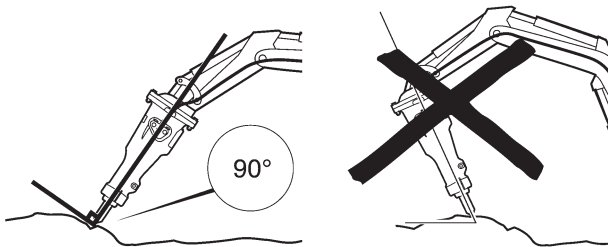
- ▶ Старайтесь не работать с молотом при полном вытягивании или втягивании цилиндров.
- ▶ Верните экскаватор и/или стрелу в исходное положение, чтобы не оставлять цилиндры вытянутыми.
- ▶ Следите за тем, что вы делаете.

Никогда не запускайте гидромолот, пока не убедитесь, что и экскаватор, и гидромолот находятся в правильном положении.

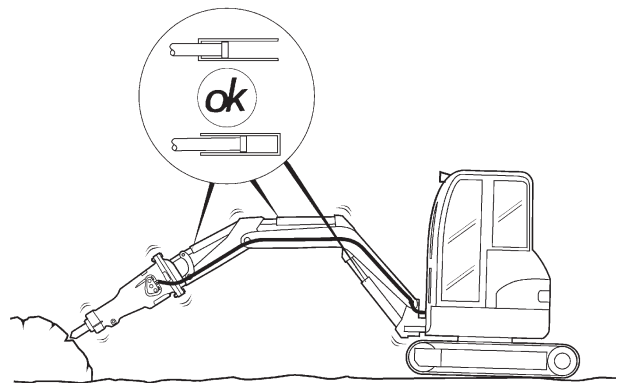
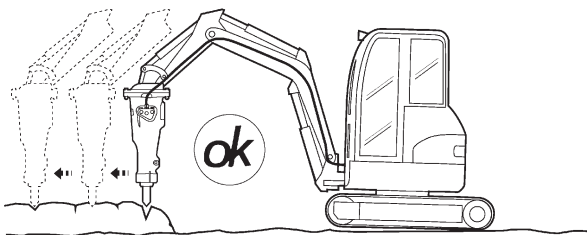
- ◆ Приставьте гидромолот к объекту под углом 90 градусов.



- ◆ Используйте правильное давление подачи. Когда давление подачи правильное, гидромолот работает оптимально с минимальной вибрацией. Также минимально изнашиваются втулка и долото.

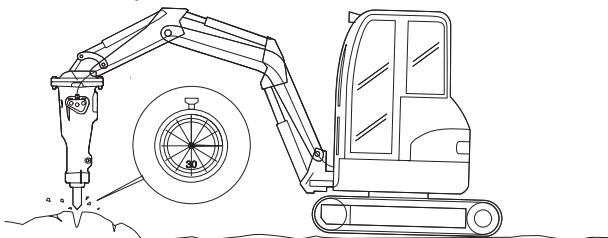


- ◆ Начинайте работу от края и идите до середины. Никогда не начинайте работу с середины крупных объектов.



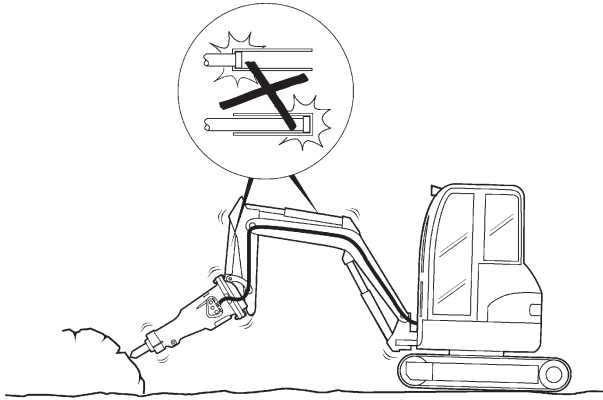
- ◆ Прислушайтесь к звуку работающего гидромолота. Звук меняется, когда возникает изгиб между инструментом и втулкой.

- ◆ Никогда не используйте гидромолот более 15 секунд на одном и том же месте. Передвиньте ударный инструмент в другое место, если объект на разбивается.

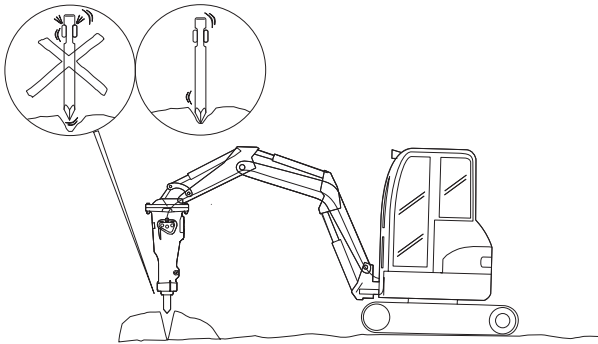


- ◆ Никогда не используйте ударный инструмент на изгиб.

- ◆ Никогда не пользуйтесь молотом, когда цилиндры стрелы находятся в крайних положениях. Это может повредить экскаватор.

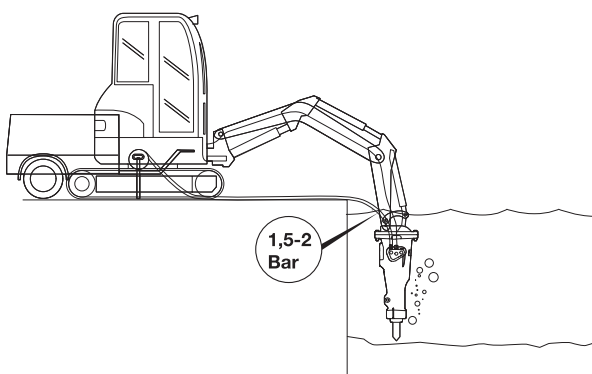


- ◆ Избегайте холостых ударов; это изнашивает ударный инструмент и стопоры.



### Дробление под водой

Гидромолоты могут работать под водой.



При работе под водой гидромолот должен получать сжатый воздух, чтобы вытеснять воду в пространстве между поршнем и ударным инструментом. Если пространство между поршнем и ударным инструментом заполнится водой, она может проникнуть к гидросистеме при запуске молота.

Давление воздуха должно составлять 1,5-2 бара на воздухоприёмнике молота, а потребление воздуха указано в «Технических характеристиках». В качестве воздушного шланга

может использоваться гидравлический шланг под 1/4" с штуцером JIC. Дальнейшие инструкции можно получить в ближайшей сертифицированной мастерской.

## Обслуживание

Для обеспечения максимальной эффективности молотов необходимо подвергать их регулярному техосмотру.

Машины, которым оказывается недостаточное внимание, могут быть опасными для оператора и для окружающих. Для безопасной и эффективной работы необходимо соблюдать процедуры регулярного обслуживания и смазки.

### Каждый второй час

Необходимо регулярно смазывать ударный инструмент, стопоры и втулки инструментальной смазкой компании Atlas Copco.

#### Смазка с помощью шприца

**▲ ОСТОРОЖНО** Горячий инструмент во время работы и время ожидания.

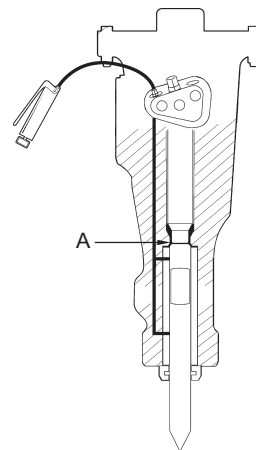
- ▶ Не трогайте инструмент во время работы.

#### ▲ ВНИМАНИЕ Экзема кожи

Смазка может вызвать экзему при контакте с кожей.

- ▶ Избегайте попадания смазки на руки.

1. Вставьте инструмент внутрь молота до упора (A). В противном случае пространство между верхним концом инструмента и молотом заполнится смазкой.



2. Хорошо смажьте хвостовик ударного инструмента при любых движениях вверх. Втулка и инструмент должны смазываться так часто, как требуется, чтобы не допустить попадания грязи внутрь гидромолота.



Если хвостовик инструмента работает под большим давлением при высокой температуре, стандартная смазка может расплавиться и вытечь. Чтобы этого избежать, всегда пользуйтесь инструментальной смазкой Atlas Copco.

### Централизованная система смазки

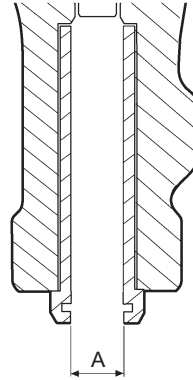
Рекомендуется использовать централизованную систему смазки Atlas Copco. Когда эта система установлена на экскаваторе, смазка постоянно подается из смазочного контейнера экскаватора в молот при его активации. Это значительно увеличивает жизненный цикл втулок и ударных инструментов.

## Ежедневно

1. Проверьте стопоры инструмента и стопорные штифты.
2. Убедитесь, что шланги, соединения и аккумулятор находятся в хорошем состоянии.
3. Убедитесь, что винты и другие крепежные детали не повреждены и крепко затянуты. См. крутящий момент в каталоге запчастей.
4. Пополняйте масло в централизованной системе смазки.

## Еженедельно

1. Очищайте гидромолот осторожно.
2. Проверяйте износ втулки инструмента с учетом максимально допустимого внутреннего износа (В).



Втулку инструмента необходимо заменить, когда внутренний диаметр (А) достиг максимально допустимого износа, см. «Допустимый износ» и «Замена втулки инструмента».

3. Проверяйте износ ударного инструмента (С).



Ударный инструмент необходимо заменить, когда внешний диаметр (В) достиг минимально допустимого износа. См. «Допустимый износ».

Слишком большой зазор может привести к поломке инструмента и повреждению поршня.

4. Проверьте корпус молота и адаптерную плиту на предмет трещин и износа.
5. Проверьте, крепко ли затянуты винты аккумулятора. Правильный крутящий момент затяжки указан в каталоге запчастей.

Ударный инструмент нельзя затачивать путемковки. Затачивание допускается только путем точения и шлифовки.

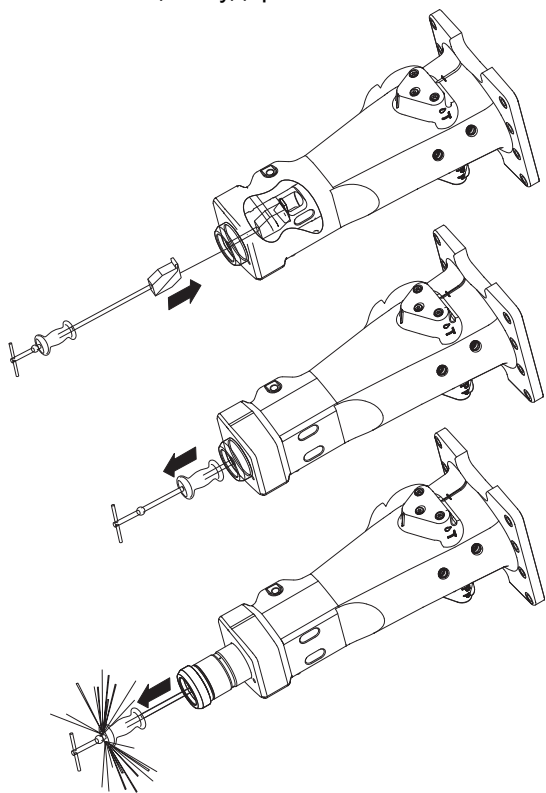
### Допустимый износ

	В, мм (in.)	С, мм (in.)
SB 52	42 (1,6)	38 (1,5)
SB 102	47 (1,8)	43 (1,7)
SB 152	52 (2,0)	48 (1,9)
SB 202	68 (2,7)	63 (2,5)
SB 302	83 (3,3)	78 (3,1)
SB 452	98 (3,85)	92 (3,6)
SB 552	103 (4,1)	97 (3,8)

## Замена втулки ударного инструмента

Втулка ударного инструмента удерживается стопорами. Новая втулка имеет скользящую посадку.

1. Если изношенная втулка застряла, выбейте ее скользящими ударами молотка.



2. Тщательно прочистите канал ствола и место посадки втулки.
3. Установите новые уплотнительные кольца, смажьте и вставьте втулку.
4. Для вставки втулки используйте пластиковый молоток.
5. Закрепите втулку стопорными штифтами.
6. Наденьте новое маслосъемное кольцо.

## Ежегодно

Капитальный ремонт нужно проводить после 1 года непрерывной эксплуатации. Капитальный ремонт в целях безопасности должен осуществляться специалистами ближайшего сервисного центра Atlas Copco или другими мастерскими Atlas Copco.

## Хранение

**▲ ОСТОРОЖНО** Если гидромолот упадет, он может нанести вам телесные повреждения

- Гидромолот нужно ставить в устойчивое положение, чтобы он не упал и не причинил вреда.

Если гидромолот не эксплуатируется длительное время, нужно проследить за следующими вещами, чтобы защитить молот от коррозии:

1. Очищайте гидромолот осторожно.
2. Демонтируйте ударный инструмент и смажьте передний конец поршня, втулку и стопорные штифты инструмента.
3. Хранить гидромолот нужно в сухом месте.

## Утилизация

Бывшую в употреблении машину нужно утилизировать так, чтобы максимально возможная часть материала могла быть использована повторно с минимальным воздействием на окружающую среду.

Перед утилизацией машины ее нужно очистить от гидравлического масла. Остатки гидравлического масла нужно убрать с минимальным воздействием на окружающую среду.



## Технические характеристики

### Характеристики машины

	SB 52	SB 102	SB 152	SB 202	SB 302	SB 452	SB 552
Номер для заказа	8460 0300 10	8460 0300 30	8460 0300 40	8460 0300 50	8460 0300 60	8460 0300 70	8460 0300 80
Рабочий вес (кг)	55	87	140	201	310	441	521
Вес с упаковкой (кг)	44	68	110	154	224	321	390
Диаметр хвостовика инструмента (мм)	40	45	50	65	80	95	100

### Производительность

	SB 52	SB 102	SB 152	SB 202	SB 302	SB 452	SB 552
Экскаватор, мин./макс. тонн	0.7–1.1	1.1–3.0	1.9–4.5	2.5–6.0	4.5–9	6.5–13	9–15
Подача масла (л/мин)	15–32	16–35	25–45	35–66	50–80	55–100	65–115
Частота ударов (удар/мин)	960–2160	720–2280	840–1920	840–1800	600–1380	540–1260	660–1140
Рабочее давление (бар)	100–150	100–150	100–150	100–150	100–150	100–150	100–150
Макс. противодействие (бар)	25	18	25	25	26	21	18
Давление аккумулятора (бар)	40	40	40	40	40	40	40
Клапан сброса давления (бар)	170	170	170	170	170	180	170
Давление воды (бар)	-	-	4	4	4	4	4
Потребление воды (л/мин)	-	-	≤5	≤5	≤9	≤9	≤9
Давление воздуха (бар)	2	2	2	2	2	2	2
Подача воздуха (л/мин)	≤730	≤730	≤730	≤730	≤730	≤730	≤730

### Ограничения шума

	SB 52	SB 102	SB 152	SB 202	SB 302	SB 452	SB 552
Давление звука <sup>1</sup> дБ(А)	89	87	86	90	91	94	98
Мощность звука <sup>2</sup> дБ(А)	117	115	114	118	119	122	126

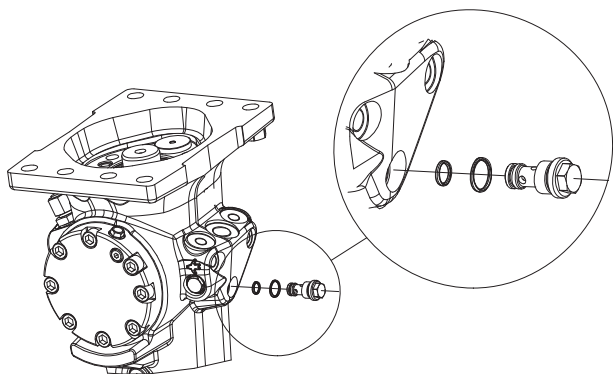
<sup>1</sup> Давление звука, измеренное согласно EN ISO 3744 в соответствии с директивой 2000/14/ЕС на расстоянии 10 метров.

<sup>2</sup> Гарантированная мощность звука, измеренная согласно EN ISO 3744 в соответствии с директивой 2000/14/ЕС, включая пространственный разброс.

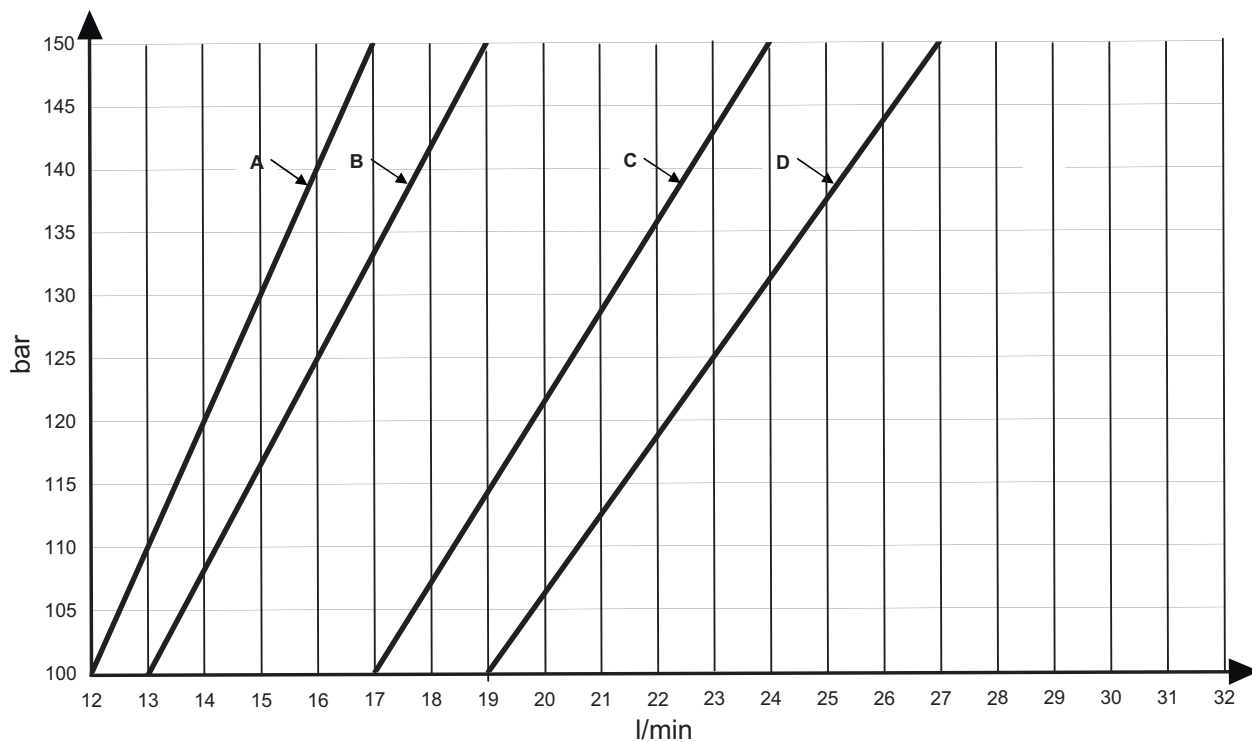
### Диаграммы расхода гидравлического масла для получения нужного рабочего давления

Подачу масла из экскаватора можно ограничить для получения нужного рабочего давления. Ограничители можно заказать по каталогу запчастей.

Диаграммы показывают подачу масла при вязкости 32 сСт.

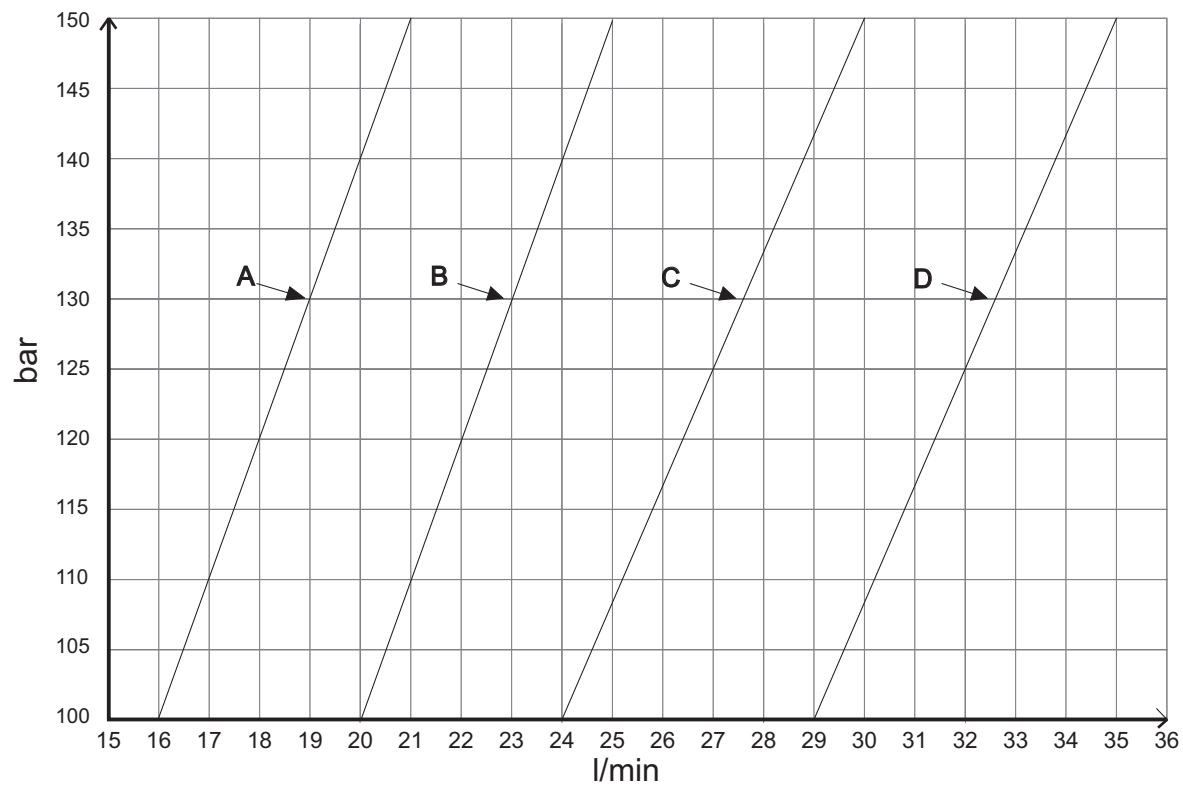


**SB 52: 100–150 бар**



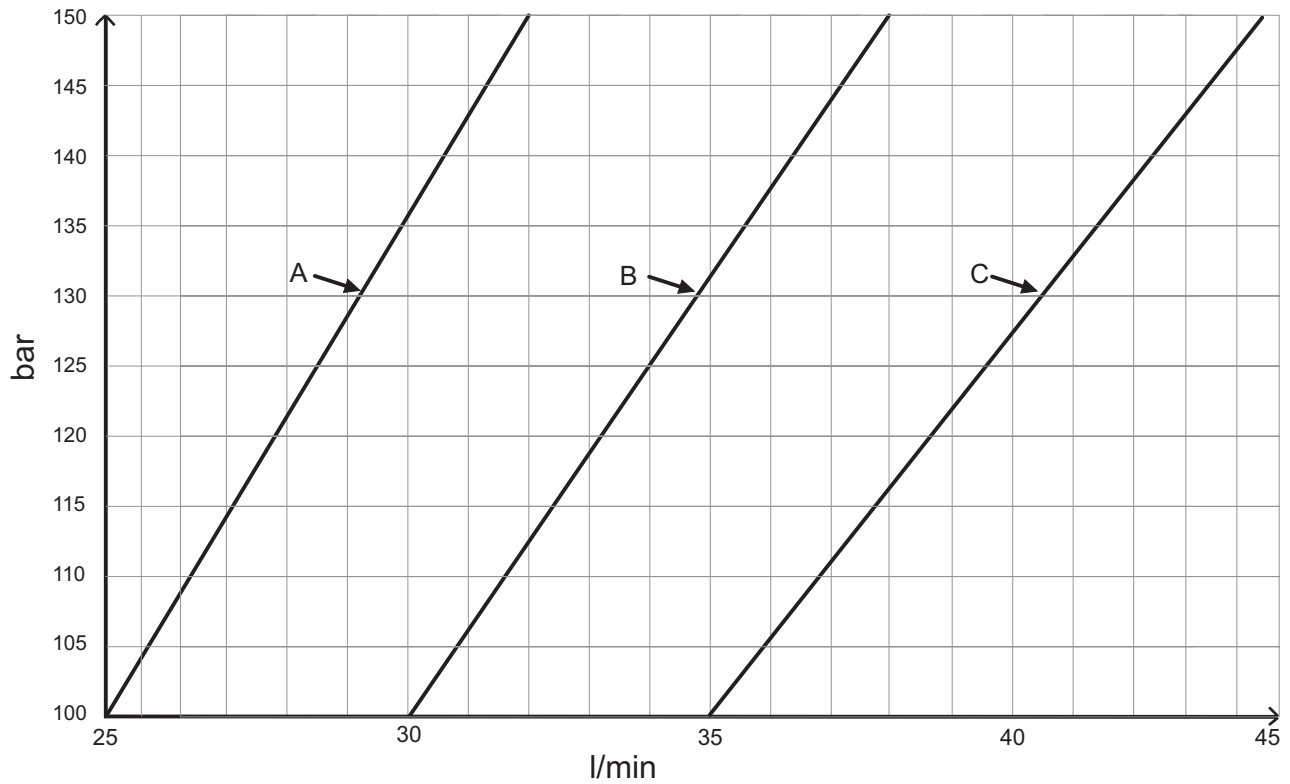
Ограничитель	Номер по каталогу	Ограничитель	Номер по каталогу
A	3315 2875 22	C	3315 2875 36
B	3315 2875 24	D (стандартный)	3315 2875 37

## SB 102: 100–150 бар



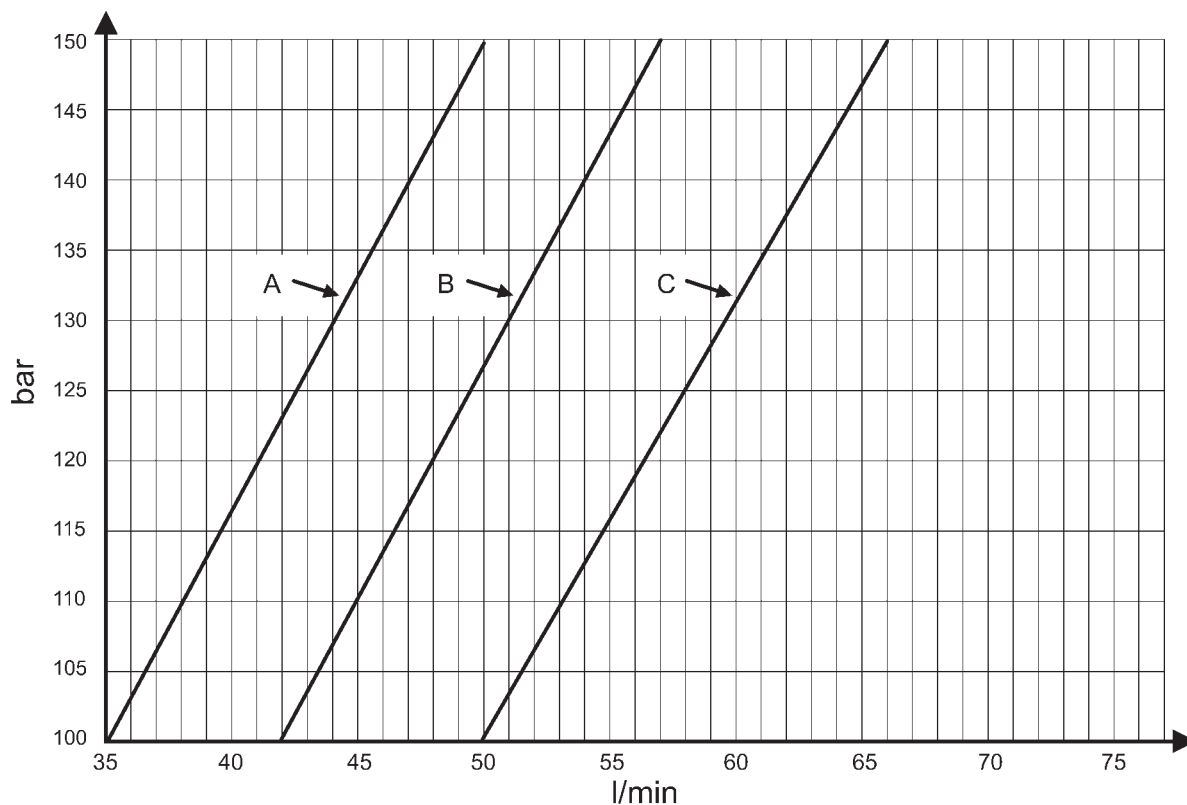
Ограничитель	Номер по каталогу	Ограничитель	Номер по каталогу
A	3315 2875 36	C	3315 2875 38
B	3315 2875 37	D (стандартный)	3315 2875 35

## SB 152: 100–150 бар



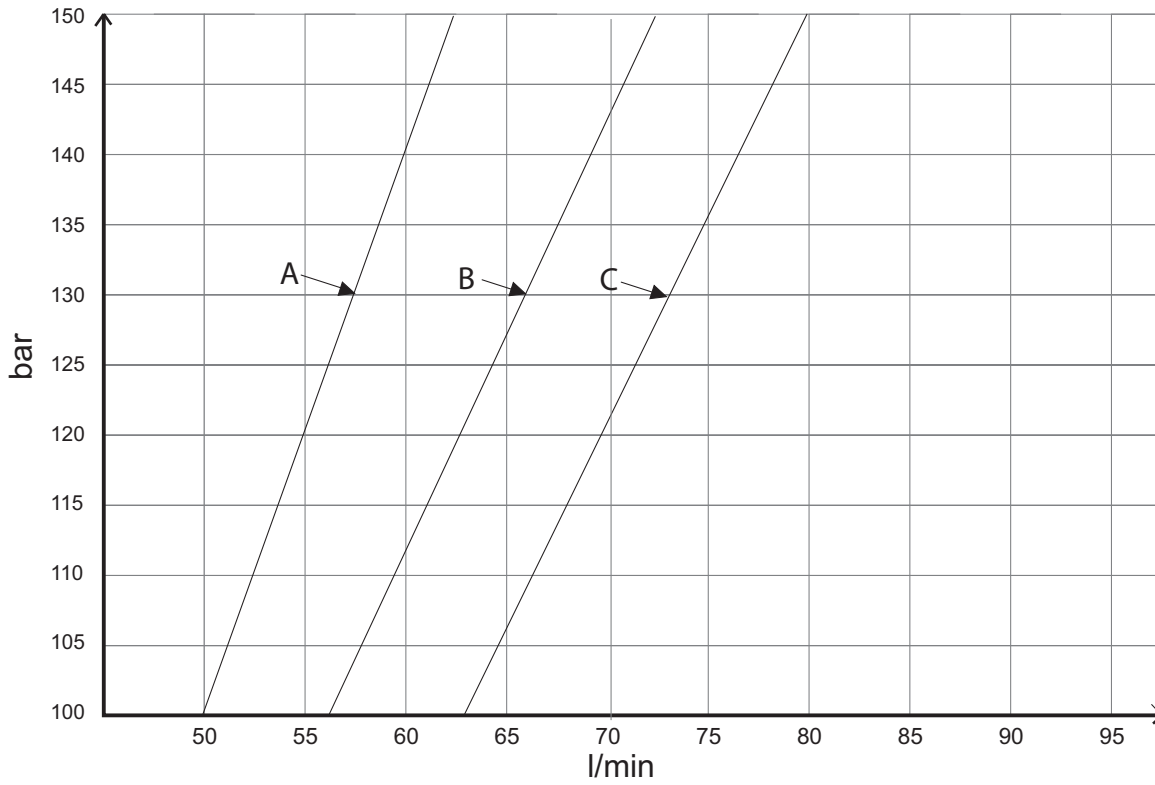
Ограничитель	Номер по каталогу	Ограничитель	Номер по каталогу
A	3315 2875 40	C (стандартный)	3315 2875 51
B	3315 2875 35		

**SB 202: 100–150 бар**



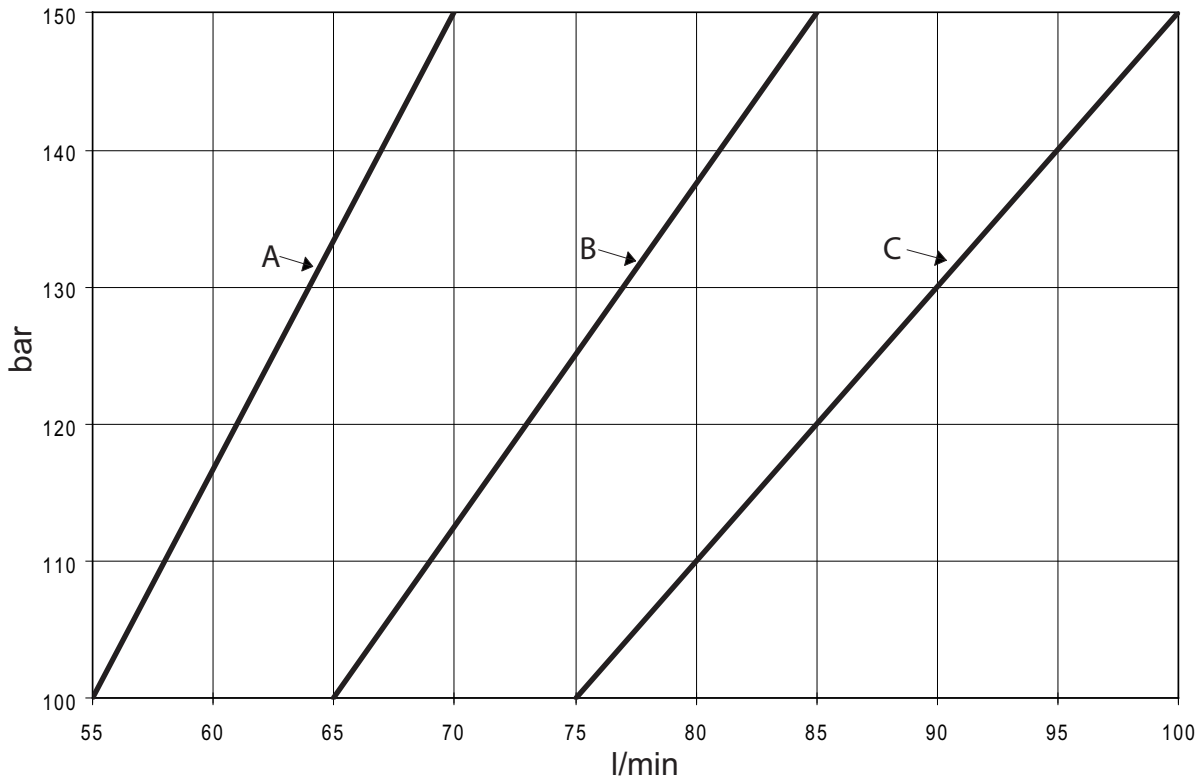
Ограничитель	Номер по каталогу	Ограничитель	Номер по каталогу
A	3315 2875 45	С (стандартный)	3315 3040 80
B	3315 2875 55		

**SB 302: 100-150 бар**



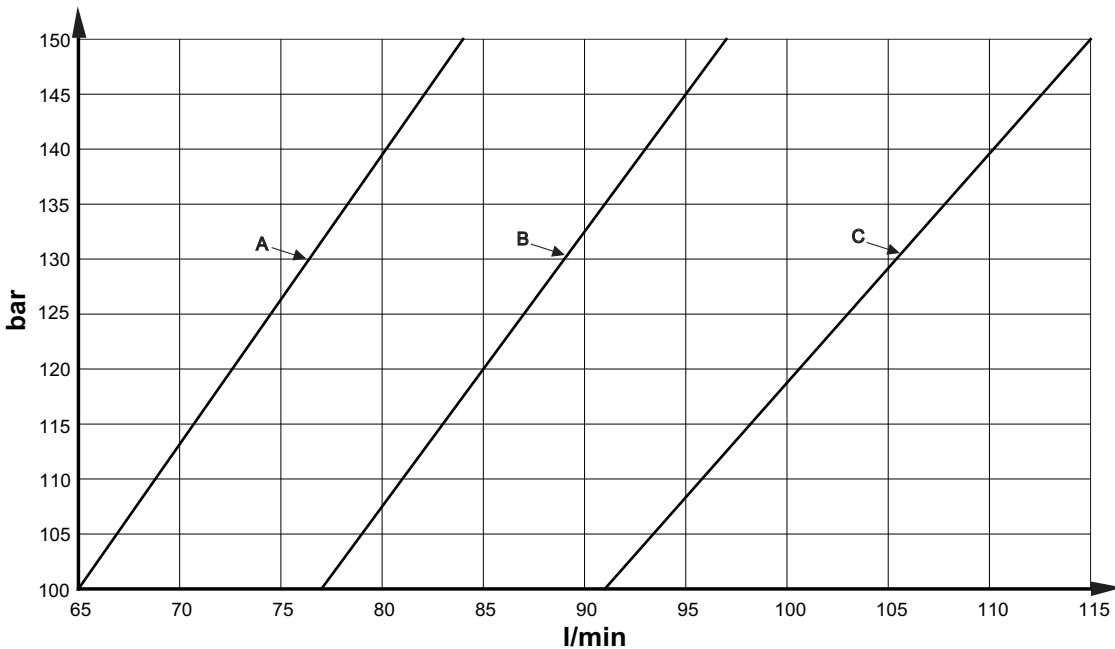
Ограничитель	Номер по каталогу	Ограничитель	Номер по каталогу
A	3315 3588 54	C (стандартный)	3315 3588 63
B	3315 3152 35		

**SB 452: 100–150 бар**



Ограничитель	Номер по каталогу	Ограничитель	Номер по каталогу
A	3315 3152 35	C (стандартный)	3315 3152 53
B	3315 3152 45		

**SB 552: 100–150 бар**



Ограничитель	Номер по каталогу	Ограничитель	Номер по каталогу
A	3315 3152 35	C (стандартный)	3315 3152 55
B	3315 3152 45		













Any unauthorized use or copying of the contents or any part thereof is prohibited.  
This applies in particular to trademarks, model denominations, part numbers and drawings.

© 2008 Atlas Copco Construction Tools AB | No. 9800 0648 90e | 2008-11-03

[www.atlascopco.com](http://www.atlascopco.com)